



US00D490653S

(12) **United States Design Patent** (10) **Patent No.:** **US D490,653 S**
Kleckauskas et al. (45) **Date of Patent:** **** Jun. 1, 2004**

(54) **DISPENSING BOTTLE**

(75) Inventors: **Robert Kleckauskas**, St. Charles, IL (US); **Bruce Ronner**, Glencoe, IL (US); **John P. Coursey**, Chicago, IL (US); **Rita Sifuentes**, Melrose Park, IL (US); **Robert Giacolo**, Woodridge, IL (US); **Boris Goldstein**, Glenview, IL (US)

(73) Assignee: **Arrow Plastic Manufacturing Co.**, Elk Grove, IL (US)

(**) Term: **14 Years**

(21) Appl. No.: **29/185,952**

(22) Filed: **Jul. 7, 2003**

(51) **LOC (7) Cl.** **07-01**

(52) **U.S. Cl.** **D7/510; D7/511; D7/531; D7/523**

(58) **Field of Search** **D7/510, 511, 523, D7/531, 507, 509; D9/523, 525, 527, 530, 537; 222/568, 129; 220/717, 705, 710, 603, 703, 714; 210/120; 215/13.1**

(56) **References Cited**

U.S. PATENT DOCUMENTS

D359,654 S	*	6/1995	Westgerdes	D7/511
D360,338 S	*	7/1995	Westgerdes	D7/511
5,545,315 A	*	8/1996	Lonneman	210/120
5,620,112 A	*	4/1997	Brown	220/703
D387,197 S	*	12/1997	Huang	D3/271
D387,902 S	*	12/1997	Yin	D3/271

D391,448 S	*	3/1998	Winer et al.	D7/510
D407,946 S		4/1999	Brewer et al.	D7/570
D414,655 S	*	10/1999	Schwarz	D7/514
D415,654 S	*	10/1999	Forrer	D7/510
D436,802 S	*	1/2001	Kaposi et al.	D7/510
D442,434 S	*	5/2001	Klima et al.	D7/510
6,305,584 B1	*	10/2001	Dobobrov et al.	222/568
D479,095 S	*	9/2003	Webb	D7/531

* cited by examiner

Primary Examiner—M. N. Pandozzi

(74) *Attorney, Agent, or Firm*—Wood, Phillips, Katz, Clark & Mortimer

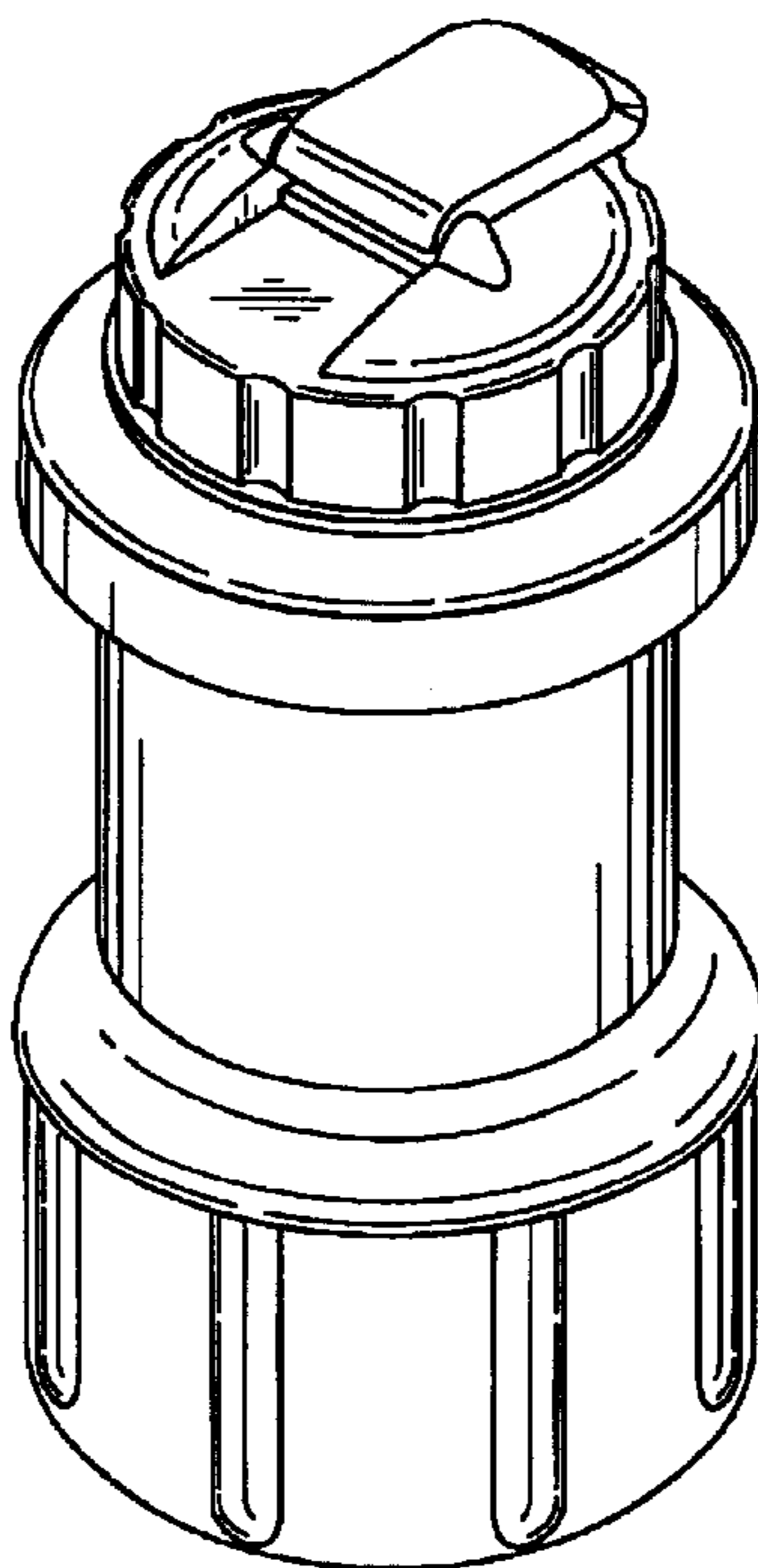
(57) **CLAIM**

The ornamental design for a dispensing bottle, substantially as shown and described.

DESCRIPTION

FIG. 1 is a perspective view of our new design; FIG. 2 is an exploded, front elevational view thereof; FIG. 3 is an exploded, rear elevational view thereof; FIG. 4 is an exploded, side elevational view thereof; FIG. 5 is an exploded, opposite side elevational view thereof; FIG. 6 is a top plan view thereof, without the lid; FIG. 7 is a bottom plan view thereof; FIG. 8 is a top plan view of the lid thereof in a closed condition; FIG. 9 is a bottom plan view of the lid thereof in an open condition; and, FIG. 10 is a bottom plan view of the lid thereof.

1 Claim, 4 Drawing Sheets



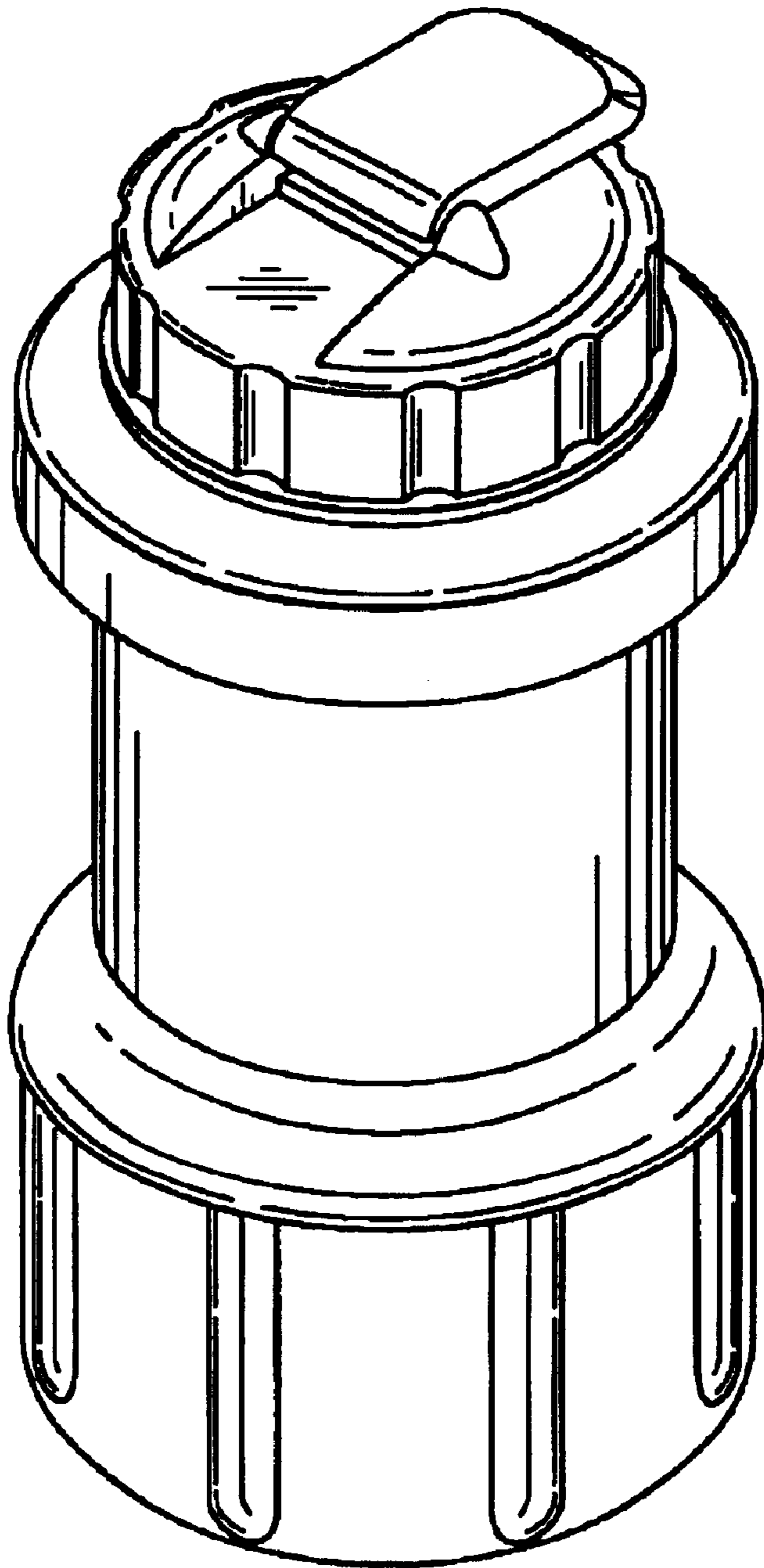


FIG. 1

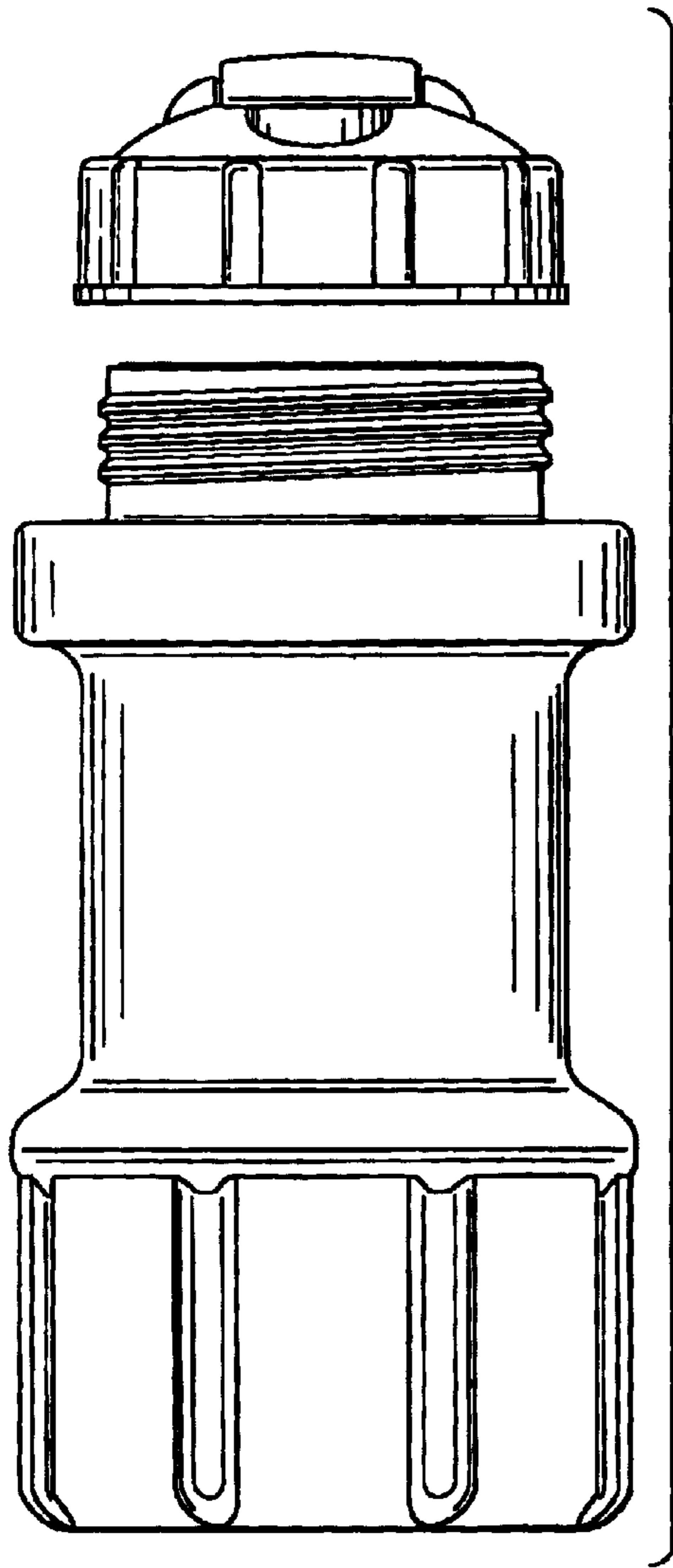


FIG. 2

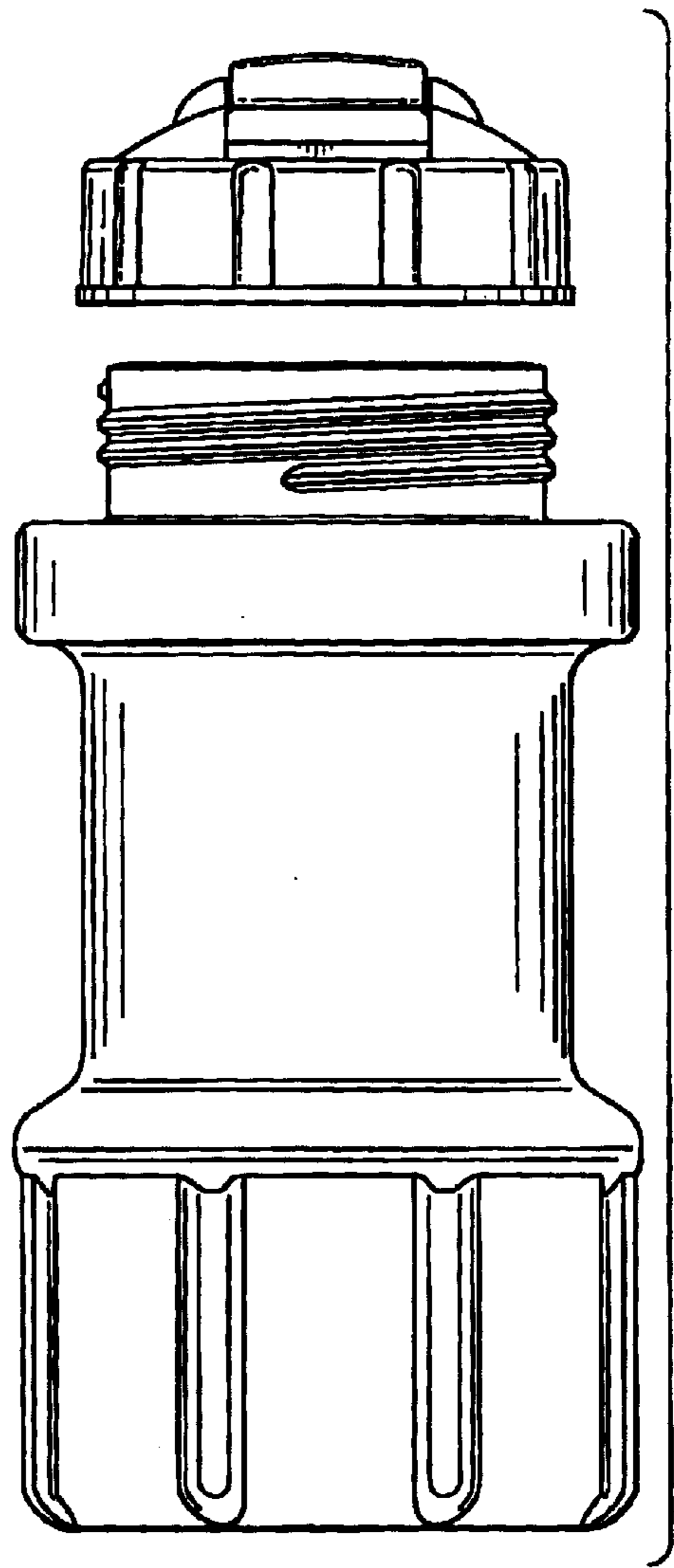


FIG. 3

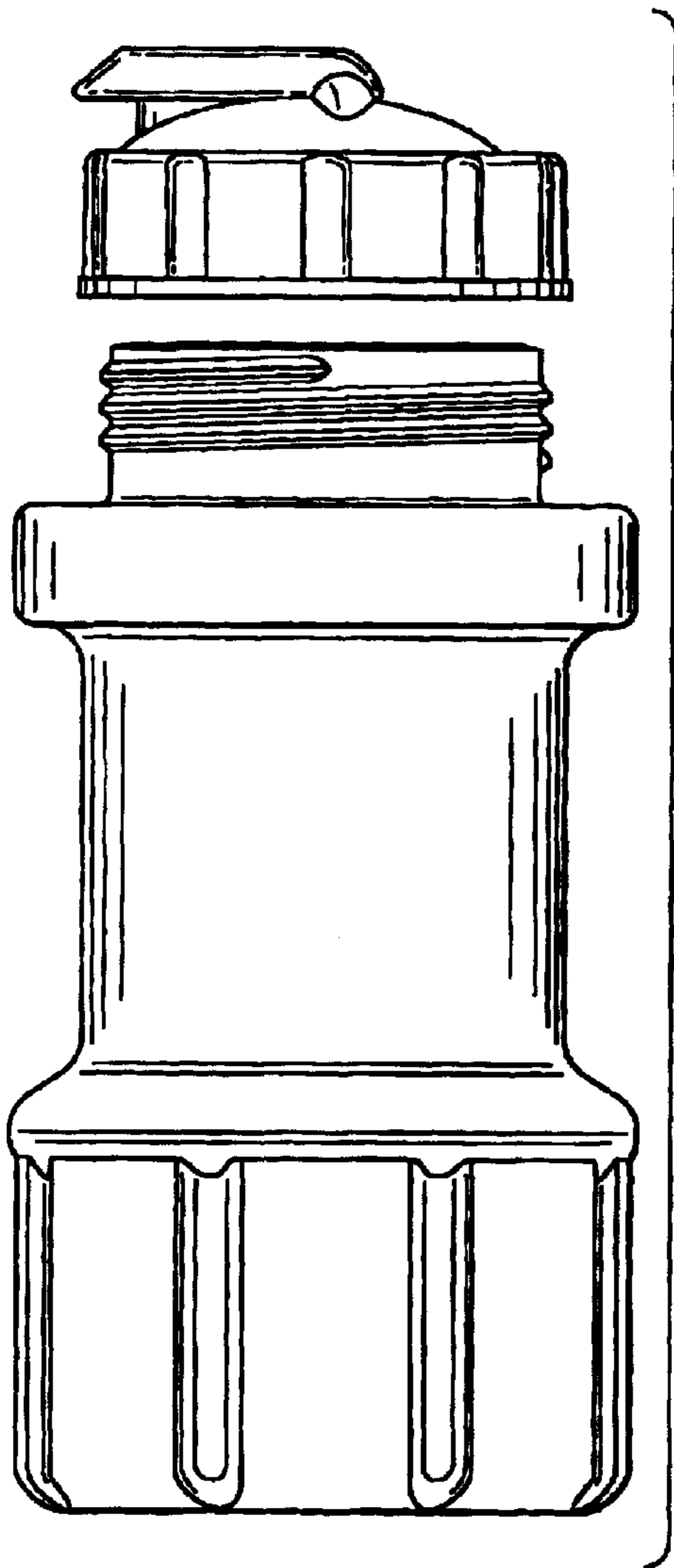


FIG. 4

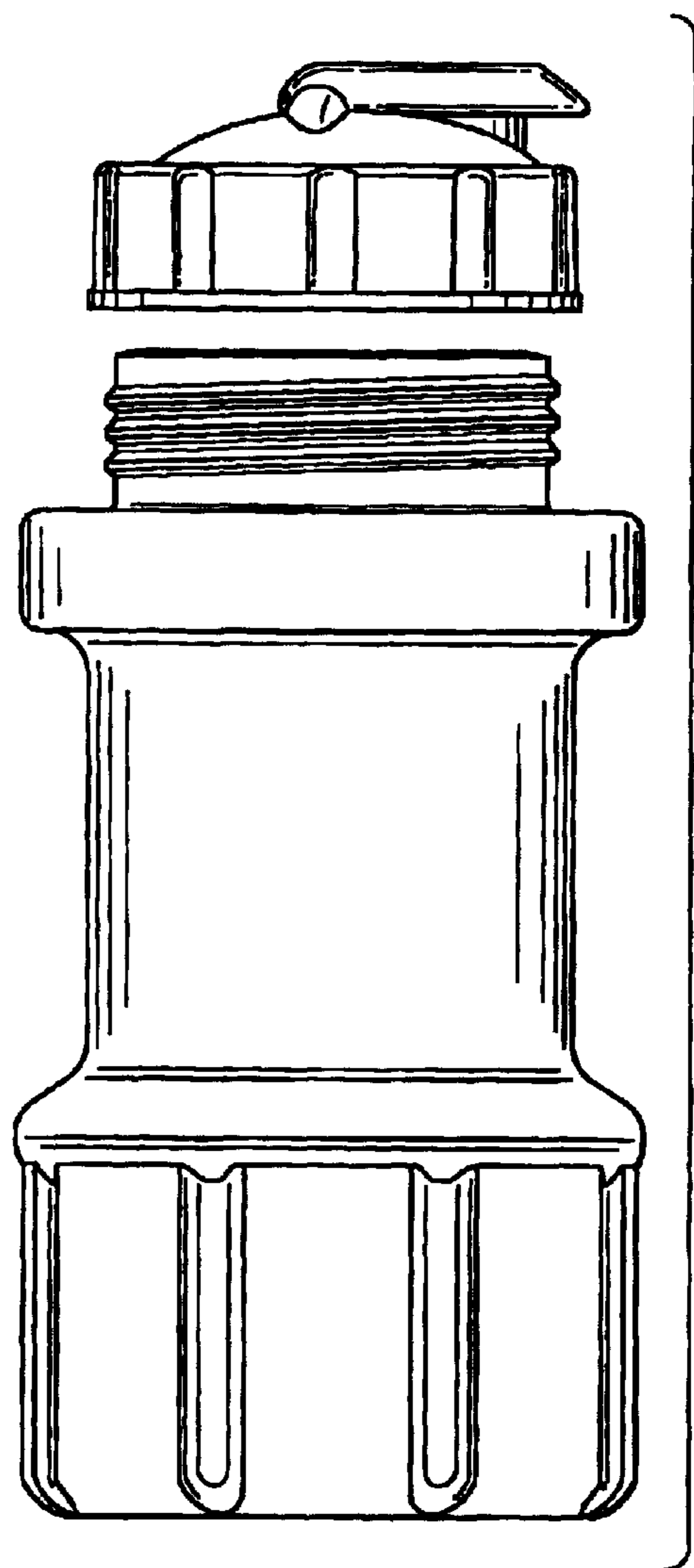


FIG. 5

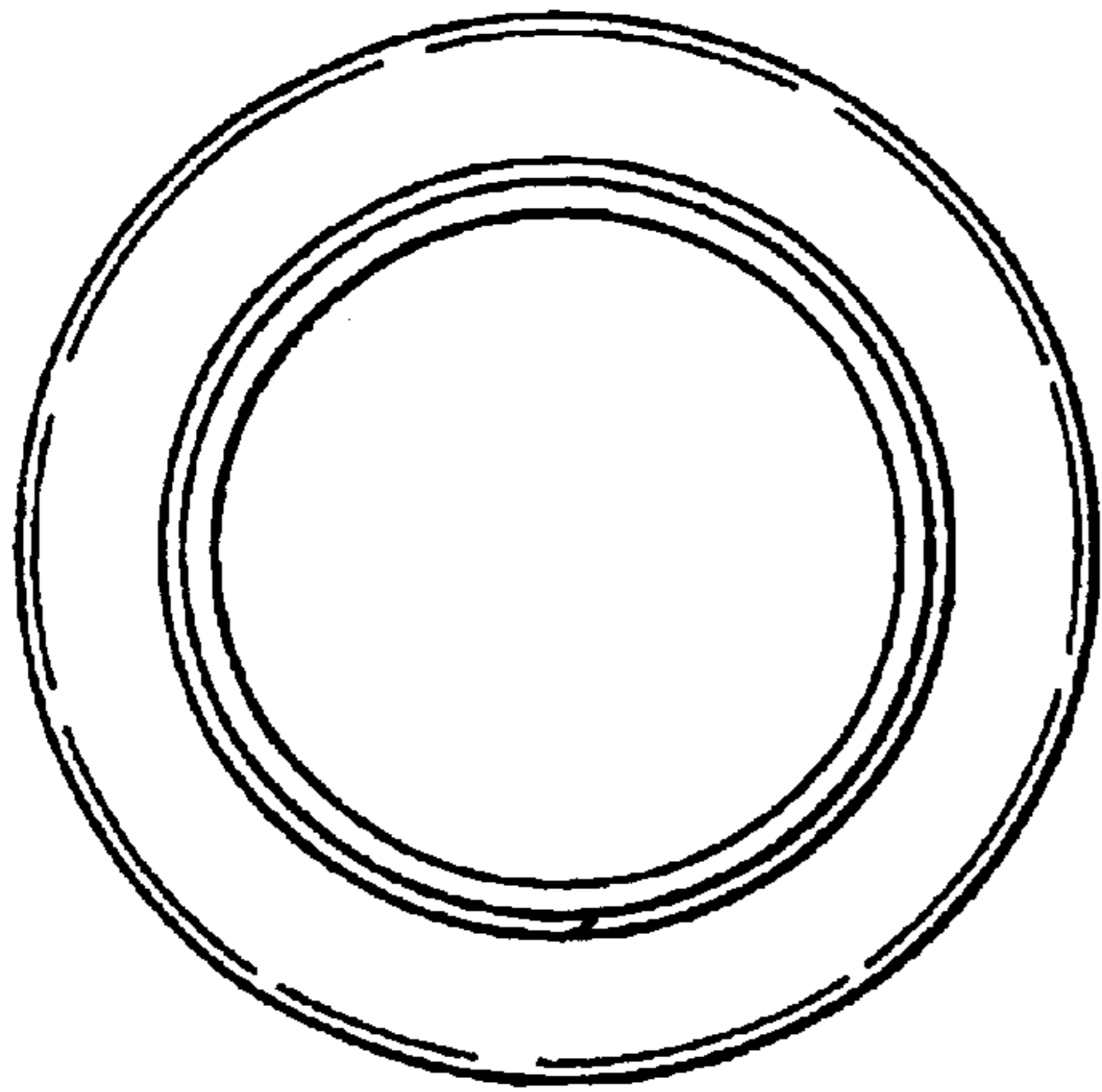


FIG. 6

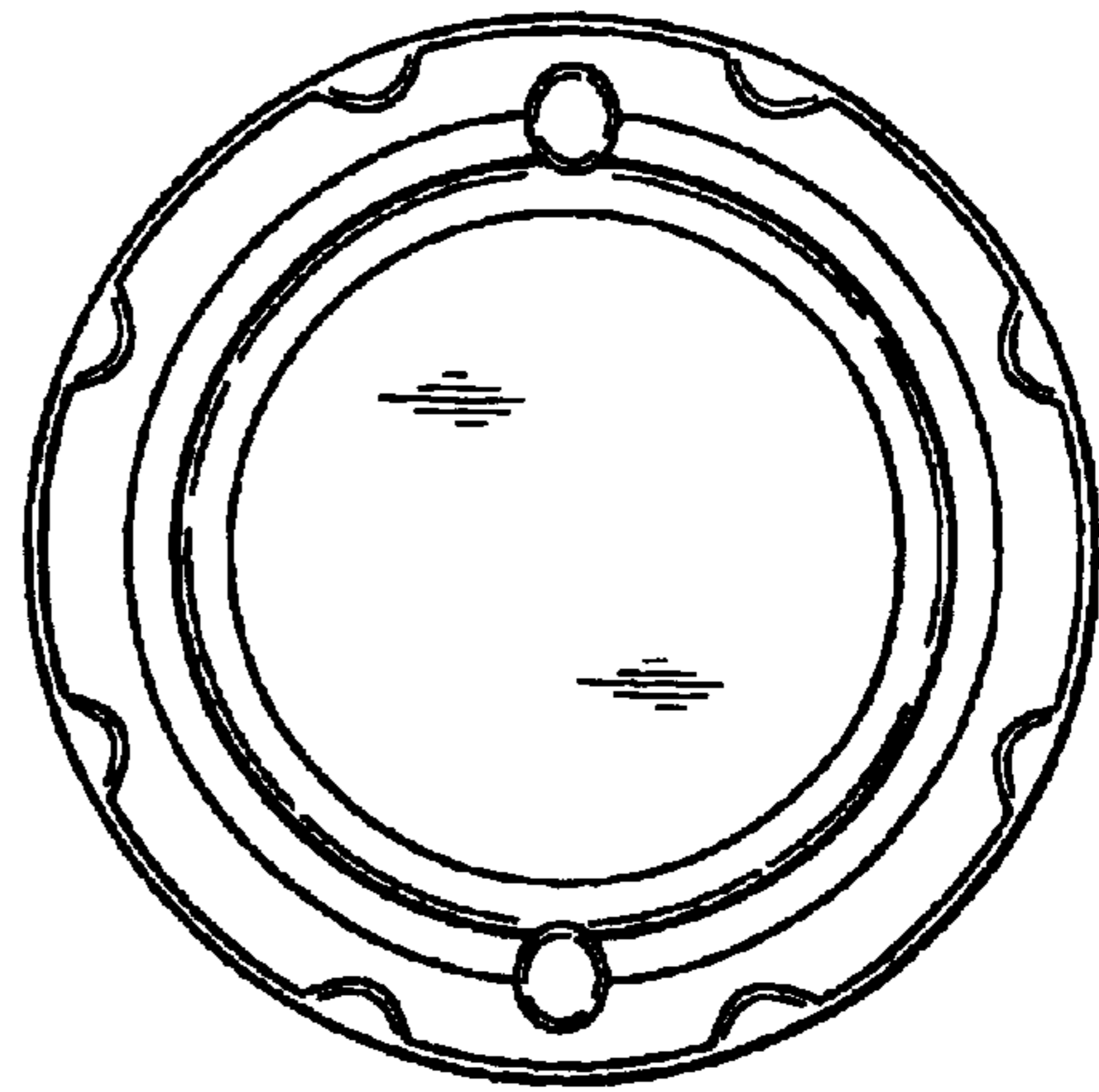


FIG. 7

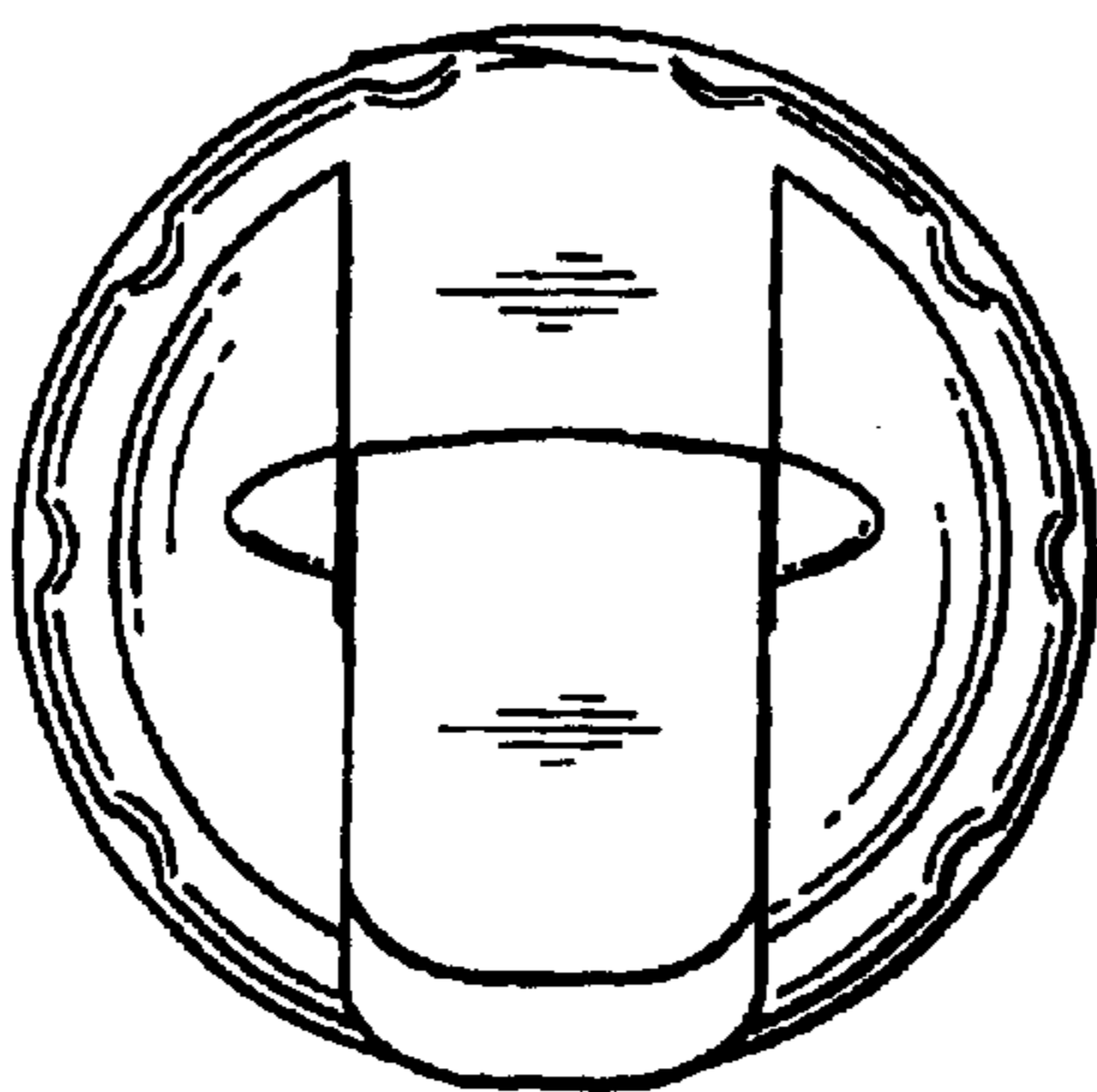


FIG. 8

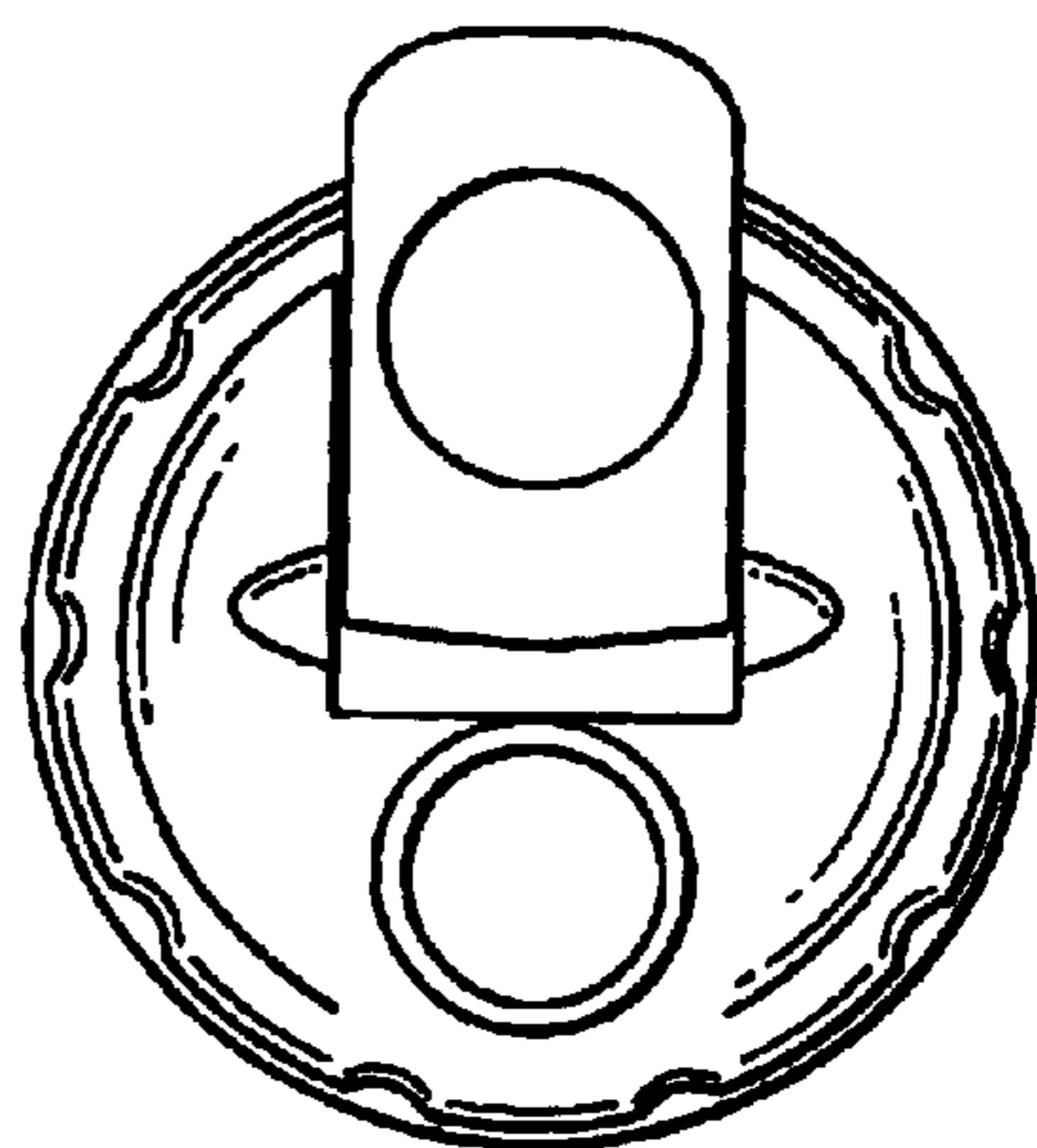


FIG. 9

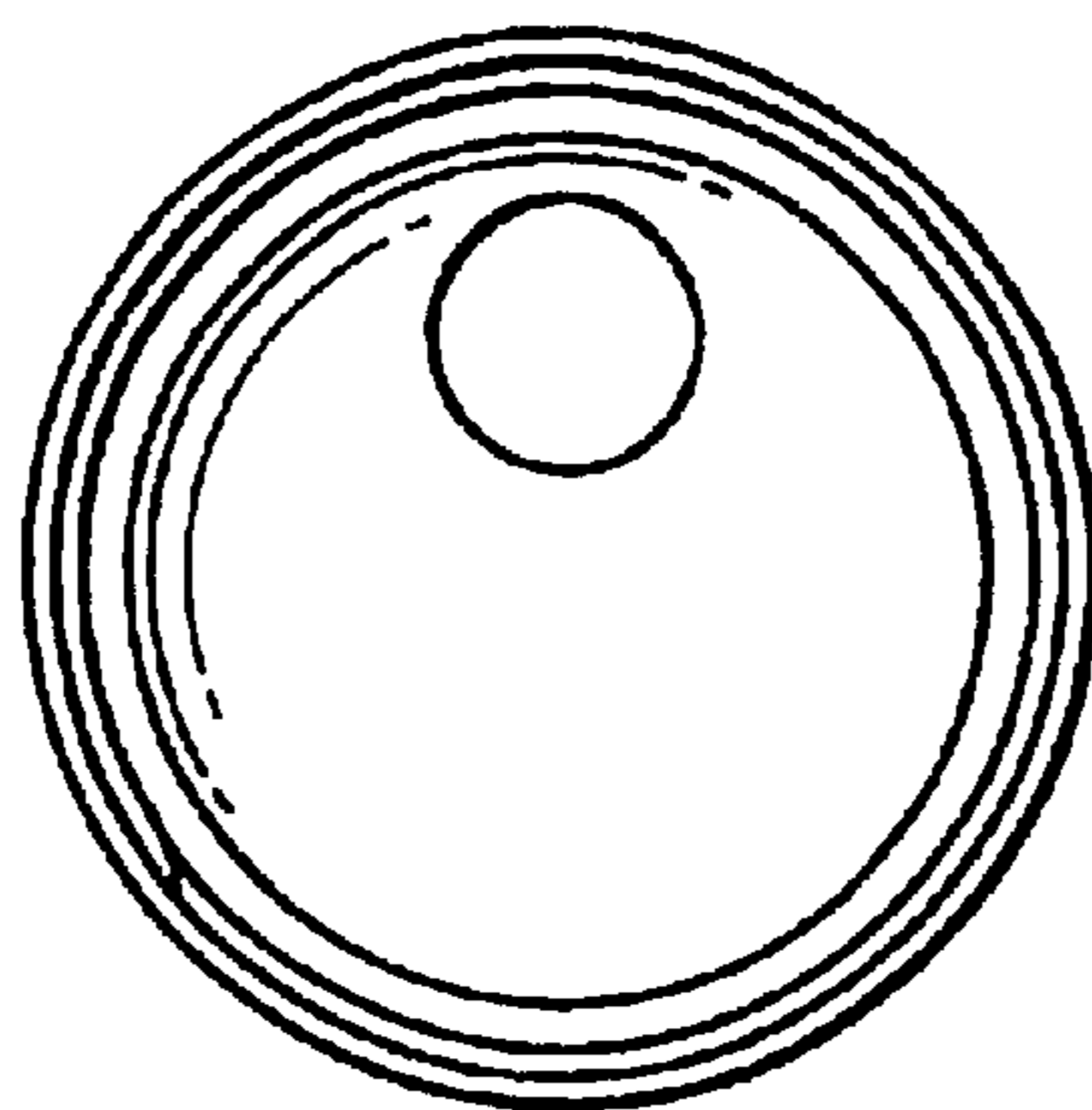


FIG. 10