



US00D490649S

(12) **United States Design Patent**
Hessen et al.

(10) **Patent No.:** **US D490,649 S**

(45) **Date of Patent:** **** Jun. 1, 2004**

(54) **EXTERNAL SURFACE CONFIGURATION
FOR THE FRONT PANEL OF A MICROWAVE
OVEN**

D468,577 S * 1/2003 Kanza et al. D7/351
D468,955 S * 1/2003 Park D7/351

* cited by examiner

(75) Inventors: **William H. Hessen**, Memphis, TN
(US); **Henry E. Cotter**, Memphis, TN
(US); **Terril J. Johnson**, Memphis, TN
(US); **Oravimon C. Martin**, Bartlett,
TN (US); **Keshia R. Merritt**,
HornLake, MS (US)

Primary Examiner—Louis S. Zarfes
Assistant Examiner—Robert A Delehanty
(74) *Attorney, Agent, or Firm*—Walker, McKenzie &
Walker, PC

(73) Assignee: **Sharp Manufacturing Company of
America**, Memphis, TN (US)

(57) **CLAIM**

The ornamental design for the external surface configuration
for the front panel of a microwave oven, as shown and
described.

(**) Term: **14 Years**

DESCRIPTION

(21) Appl. No.: **29/179,141**

FIG. 1 is a front perspective view of an external surface
configuration for the front panel of a microwave oven,
showing our new design;

(22) Filed: **Apr. 4, 2003**

FIG. 2 is a top plan view thereof;

(51) **LOC (7) Cl.** **07-02**

FIG. 3 is a bottom plan view thereof;

(52) **U.S. Cl.** **D7/405**

FIG. 4 is a front elevation view thereof;

(58) **Field of Search** D7/323, 396-40,
D7/405, 351, 337; 126/1 R, 190, 200; D32/2-3,
6-8, 25; 68/3 R, 212; 34/523, 603, 104

FIG. 5 is a left side elevation view thereof; and,

FIG. 6 is a right side elevation view thereof.

(56) **References Cited**

The details shown in broken lines in FIGS. 1-3, 5 and 6, and
the undisclosed rear view form no part of the claimed
design.

U.S. PATENT DOCUMENTS

D462,868 S * 9/2002 Noda et al. D7/351

1 Claim, 2 Drawing Sheets

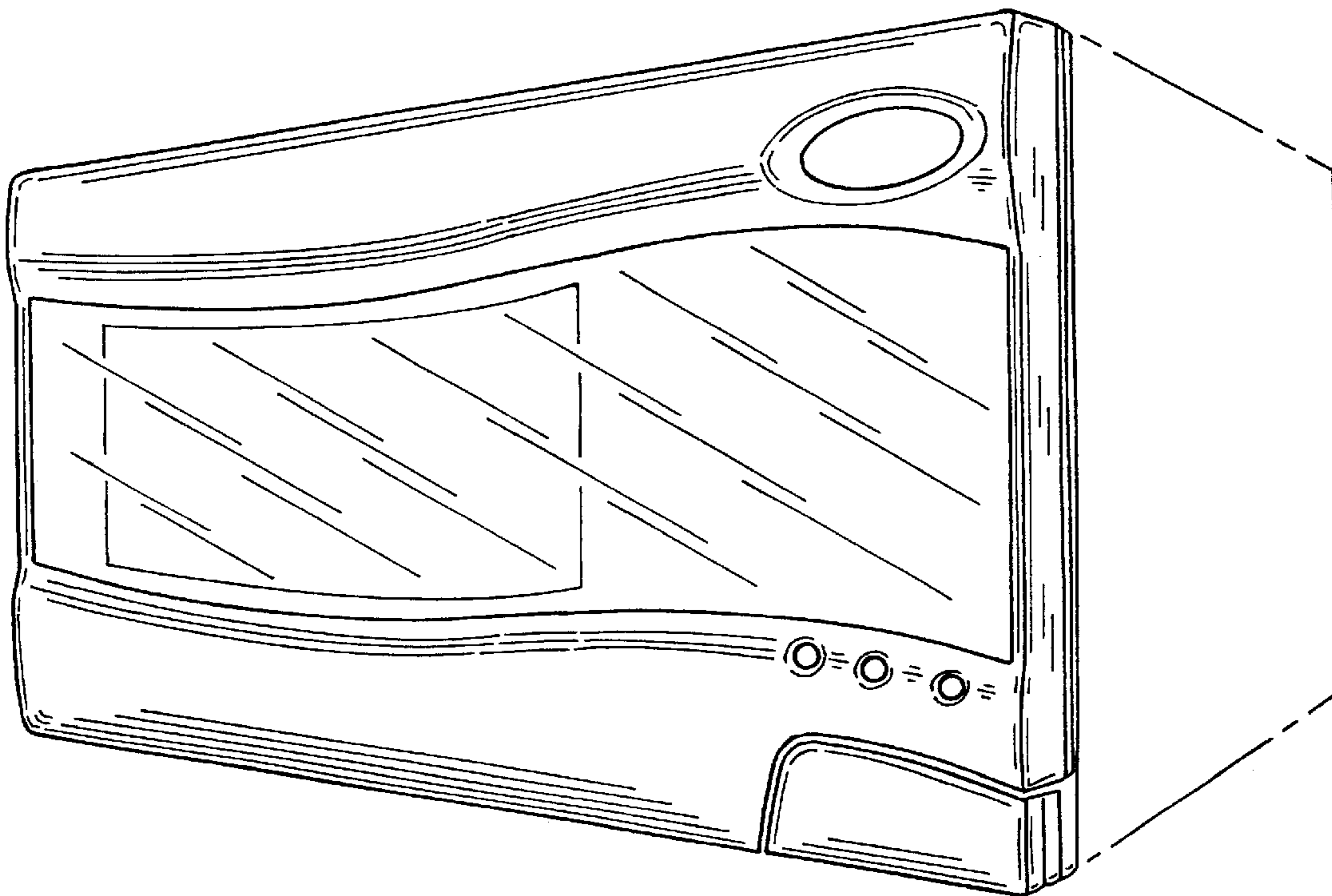


FIG. 1

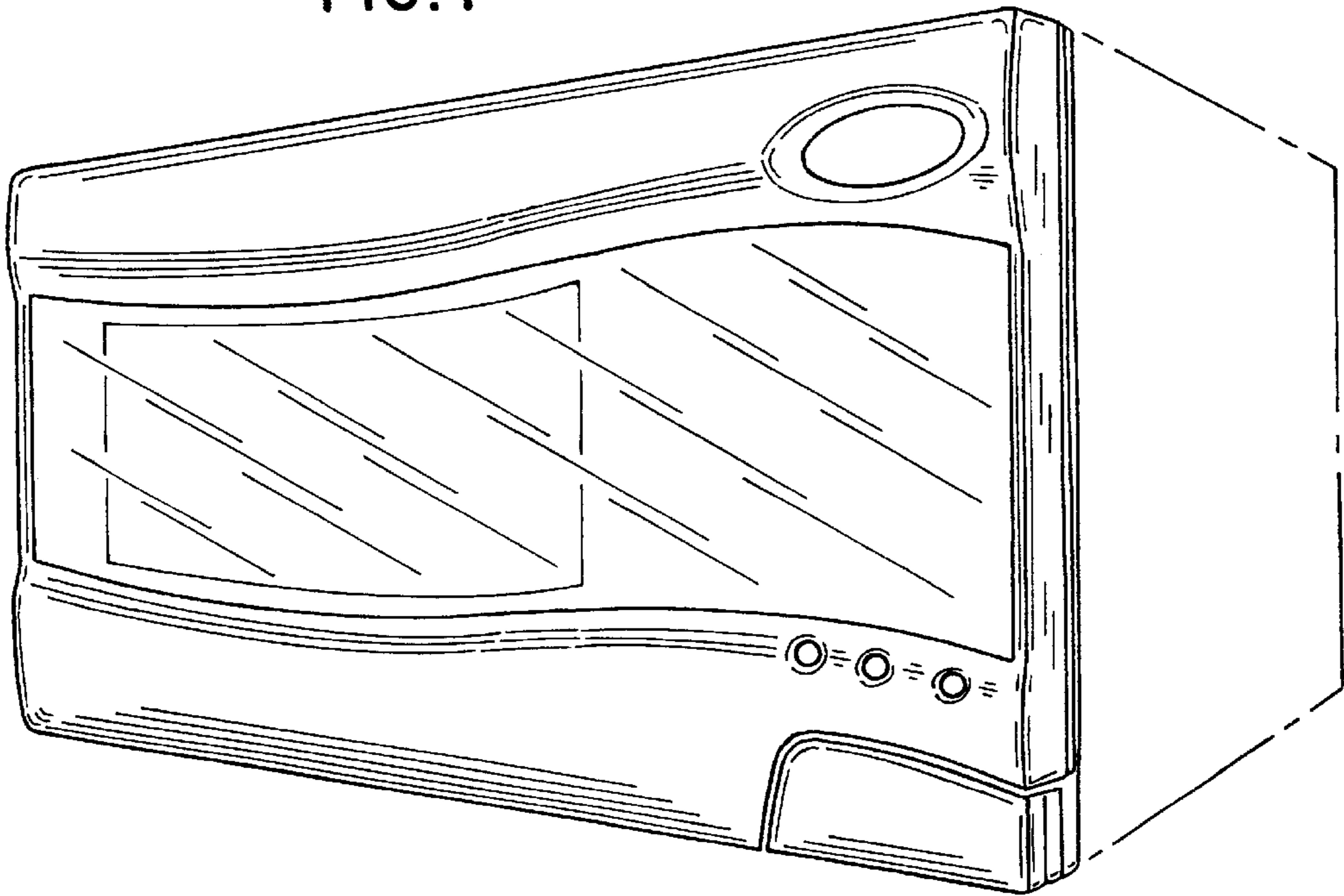


FIG. 2

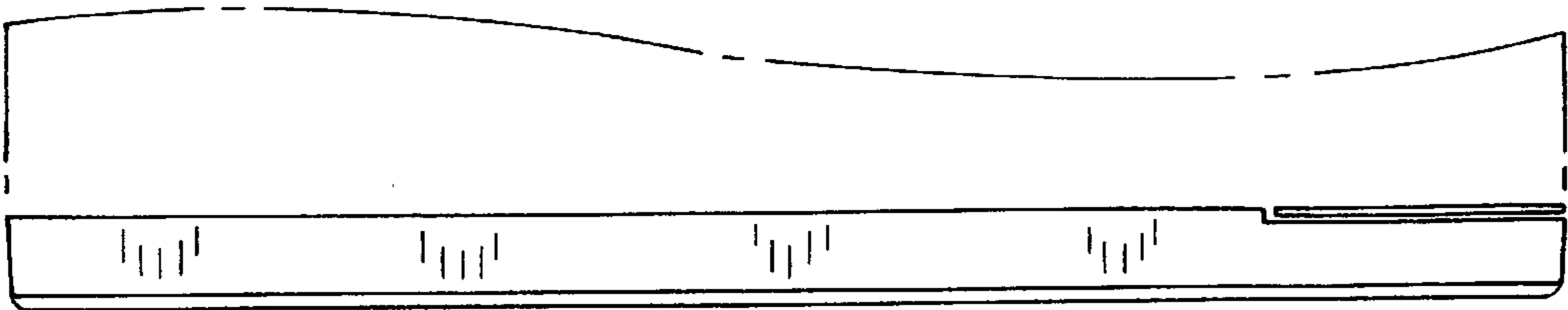


FIG. 3

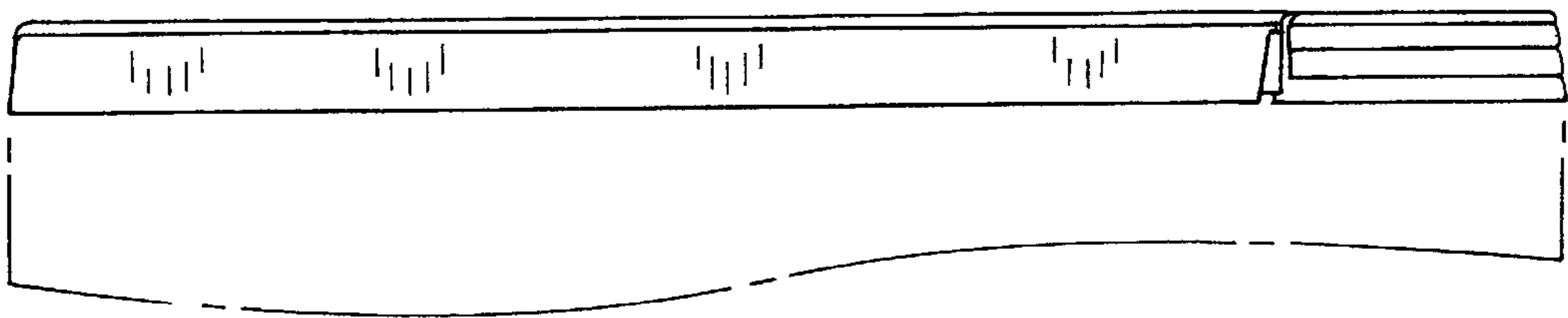


FIG. 4

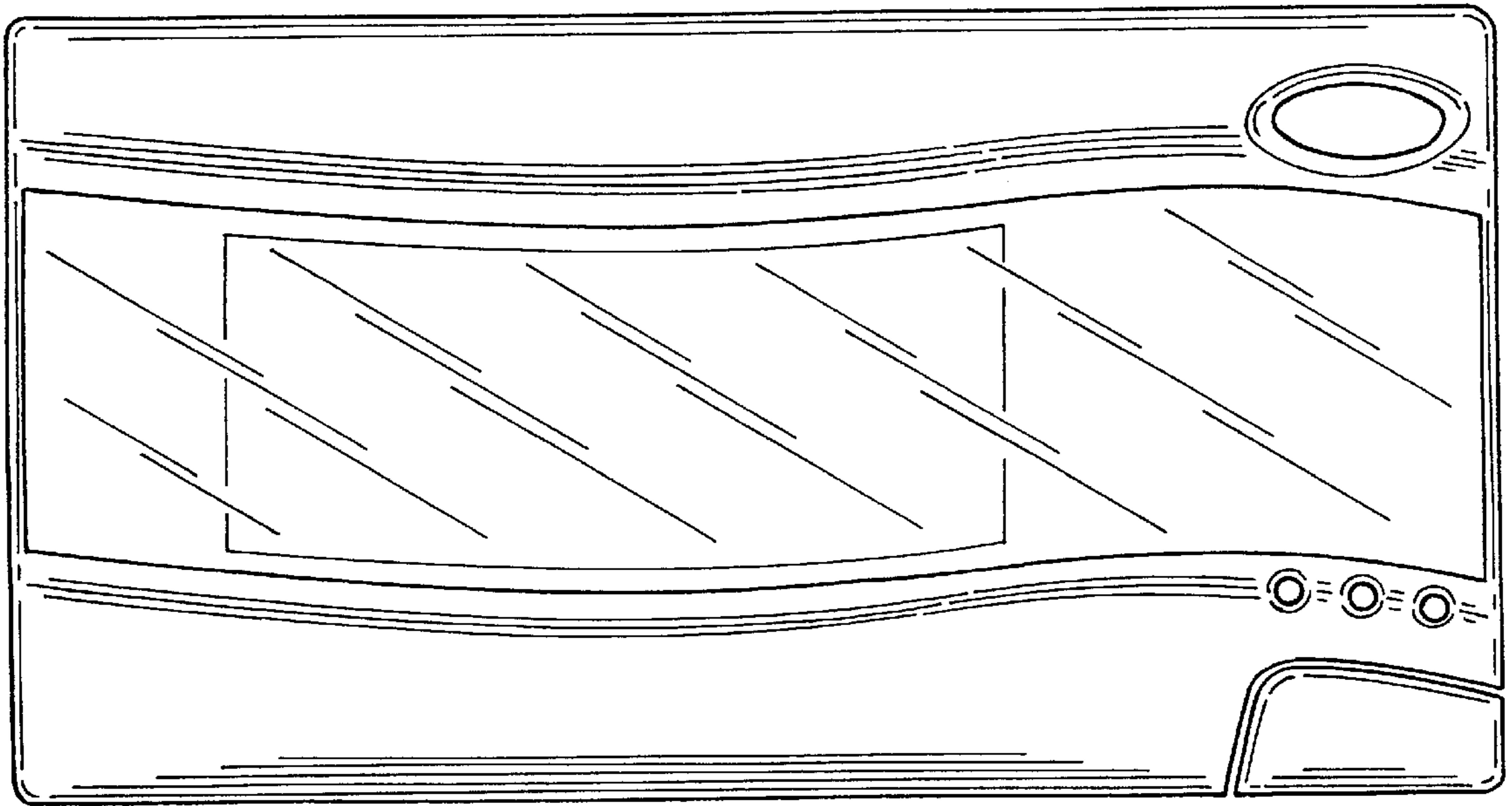


FIG. 5

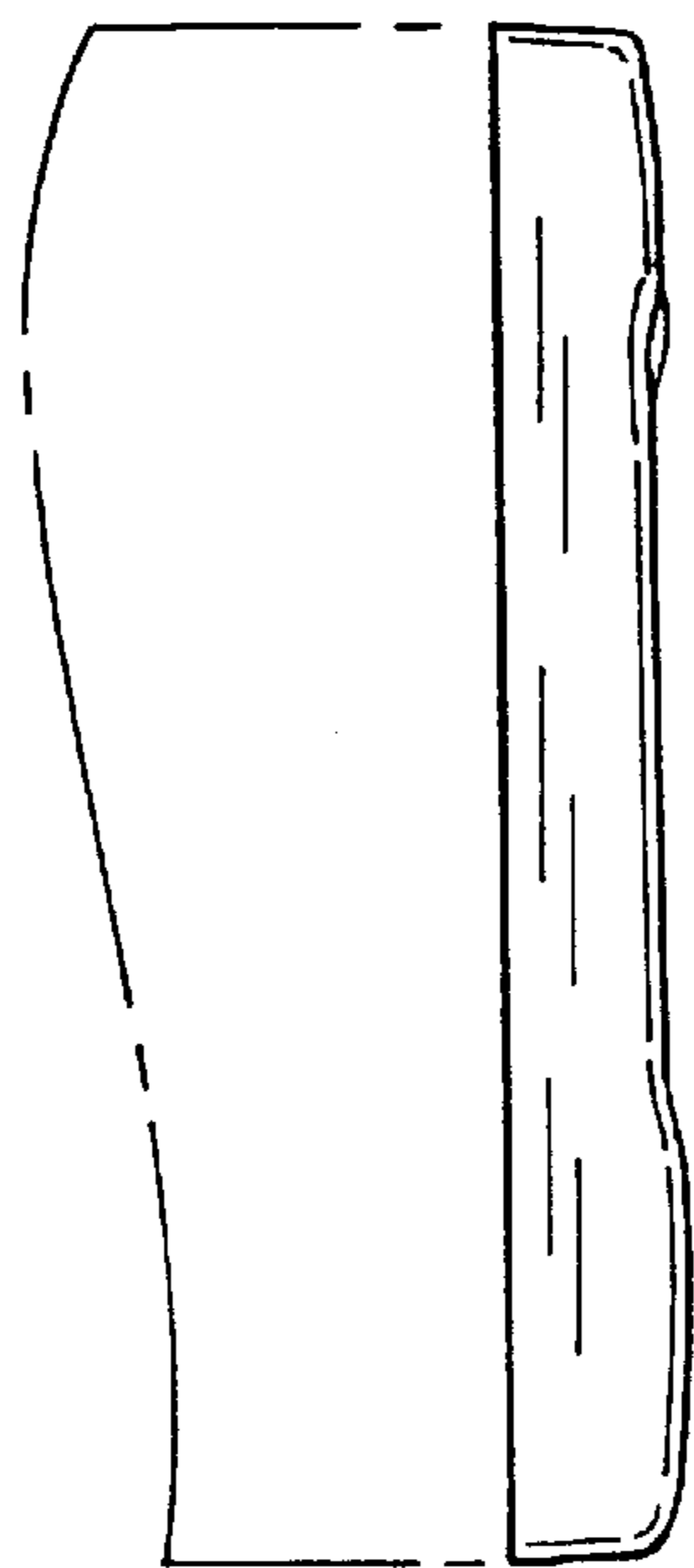


FIG. 6

