



US00D490648S

(12) **United States Design Patent**  
**Moon et al.**

(10) **Patent No.:** **US D490,648 S**

(45) **Date of Patent:** **\*\* Jun. 1, 2004**

(54) **POWER HEAD FOR COUNTER-TOP OVEN**

(75) Inventors: **Jung S. Moon**, Buffalo Grove, IL (US);  
**Rong Liu**, Gurnee, IL (US); **Jong Rok Kim**, Seoul (KR); **Kitak Chae**, Seoul (KR)

(73) Assignee: **Hearthware Home Products, Inc.**,  
Gurnee, IL (US)

(\*\*) Term: **14 Years**

(21) Appl. No.: **29/180,862**

(22) Filed: **May 1, 2003**

(51) **LOC (7) Cl.** ..... **07-02**

(52) **U.S. Cl.** ..... **D7/402**

(58) **Field of Search** ..... D7/350.1, 350.2,  
D7/350.3, 350.4, 351, 354-355, 360, 387,  
392, 402-403, 629; 219/678, 756, 757,  
758, 438, 440, 386, 481, 518, 508; 99/325,  
327, 403; 126/275 E

(56) **References Cited**

**U.S. PATENT DOCUMENTS**

- D212,820 S \* 11/1968 Benes ..... D7/356
- D328,834 S \* 8/1992 Chang ..... D7/350.3
- D344,873 S \* 3/1994 Chang ..... D7/402

- D350,449 S \* 9/1994 Kaneko ..... D7/350.3
- D358,963 S \* 6/1995 Kaneko ..... D7/350.2
- D364,308 S \* 11/1995 Chang ..... D7/350.3
- D367,396 S \* 2/1996 Hsu ..... D7/350.3
- 6,201,217 B1 \* 3/2001 Moon et al. .... 219/386

\* cited by examiner

*Primary Examiner*—Ruth McInroy

(74) *Attorney, Agent, or Firm*—Greer, Burns & Crain, Ltd.

(57) **CLAIM**

The ornamental design for a power head for counter-top oven, as shown and described.

**DESCRIPTION**

FIG. 1 is a perspective view of a power head for a counter-top oven showing my new design, which is assembled to the oven base and heating chamber shown in broken lines; FIG. 2 is a top view of the power head of FIG. 1. FIG. 3 is a left side view of the power head of FIG. 1, and the right side view is a mirror image thereof. FIG. 4 is a front view of the power head of FIG. 1; and, FIG. 5 is a rear view of the power head of FIG. 1. The details shown in broken lines are for illustrative purposes only and form no part of the claimed design.

**1 Claim, 3 Drawing Sheets**

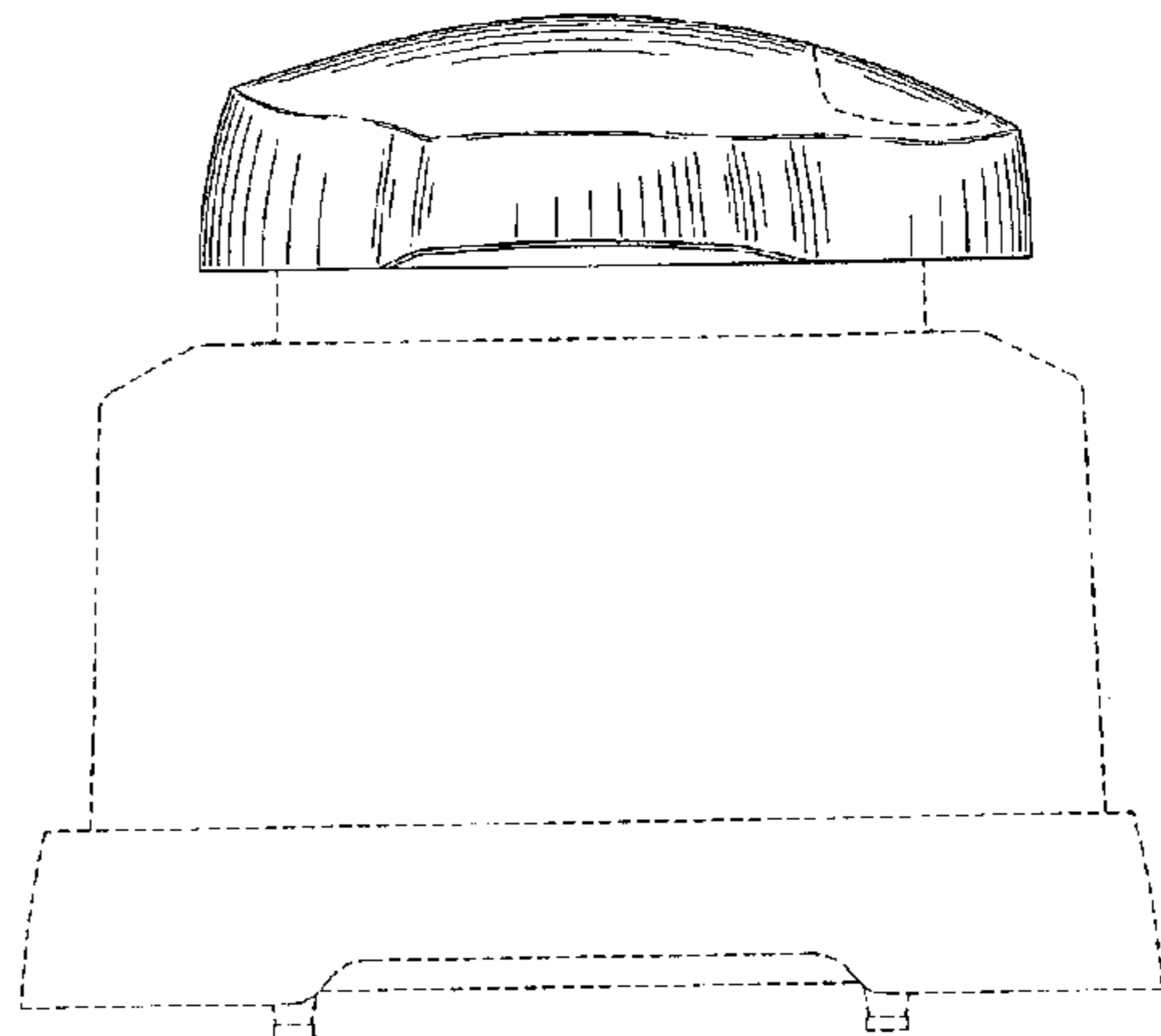
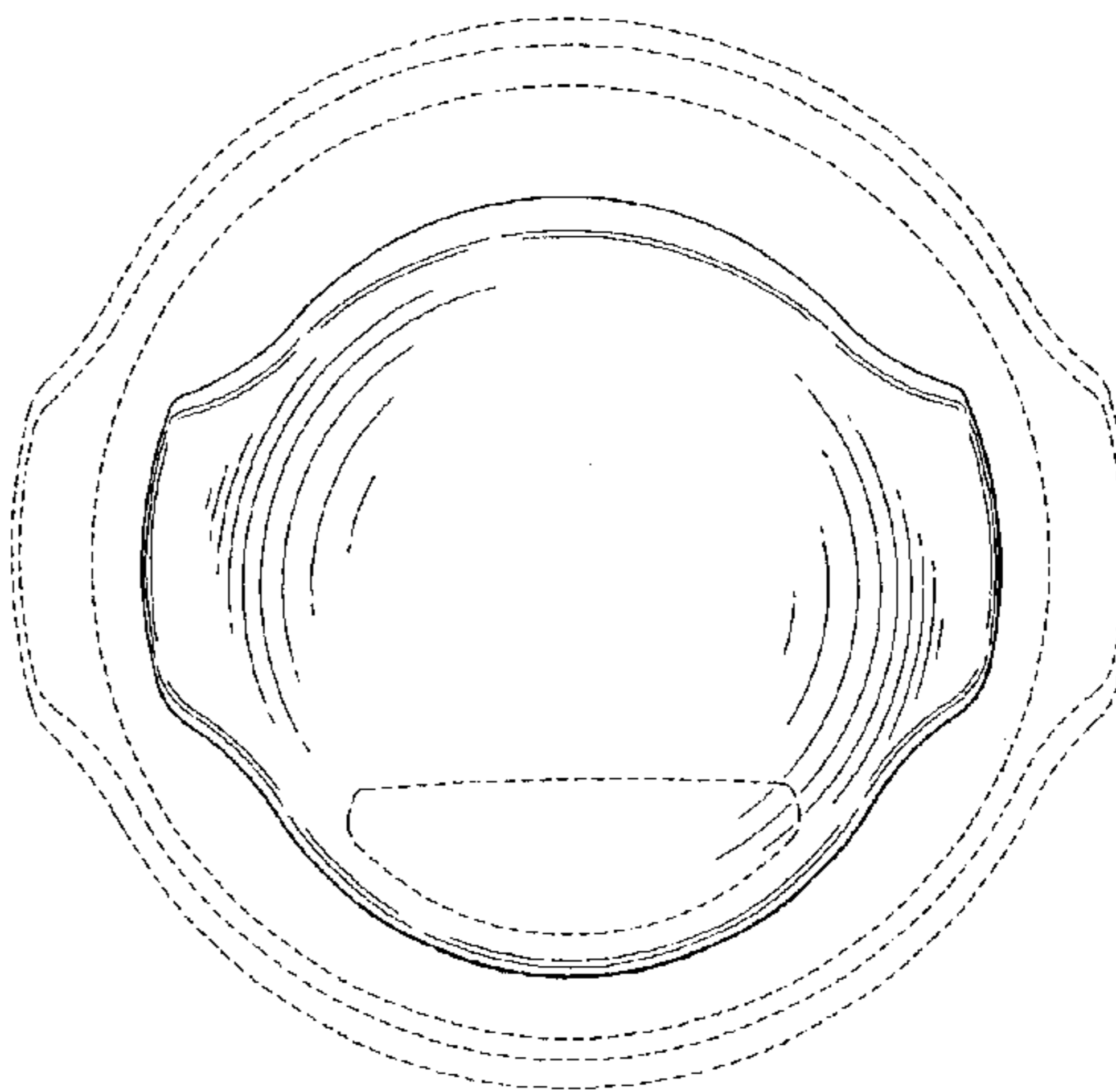
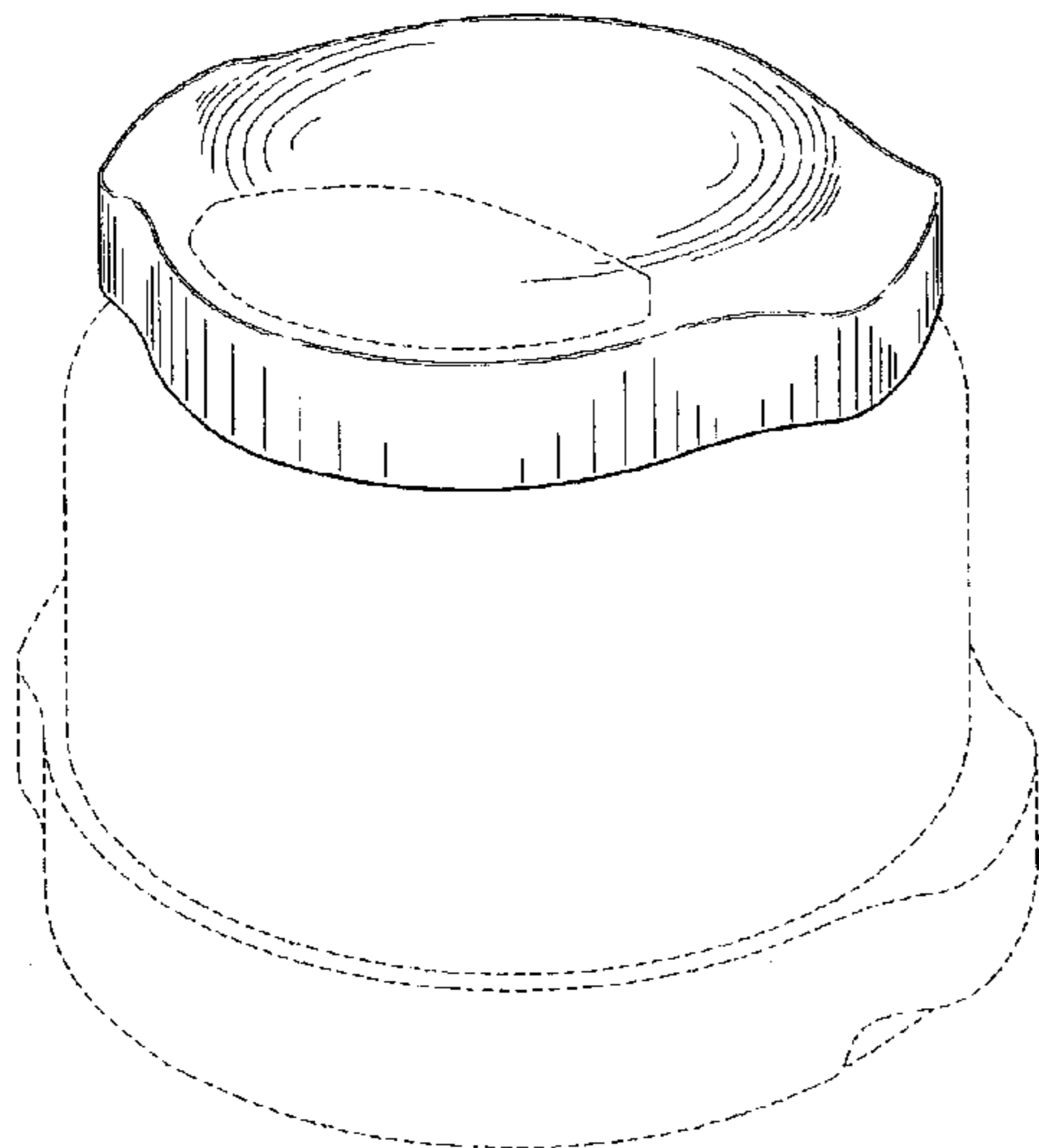


FIG. 1

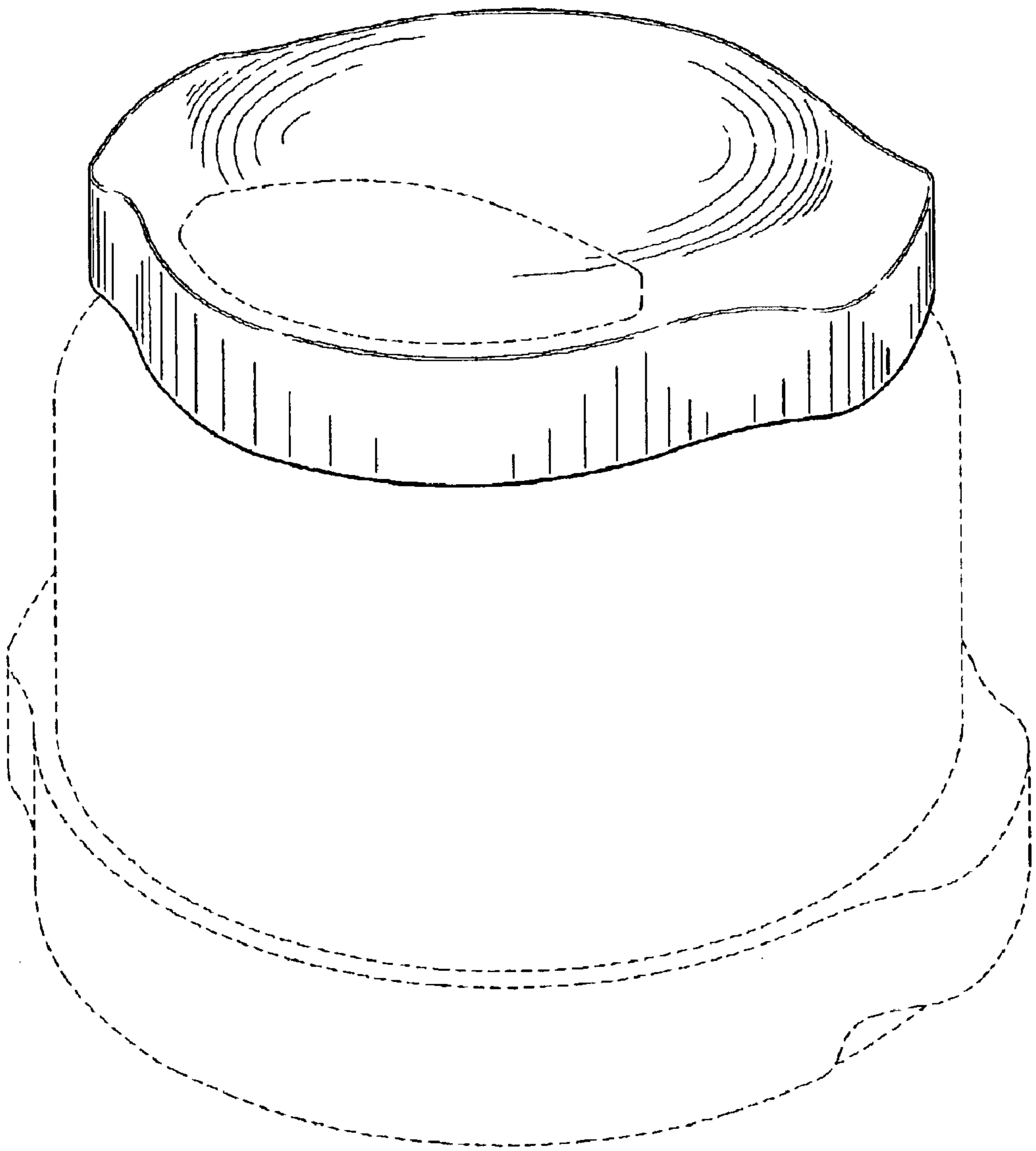


FIG. 2

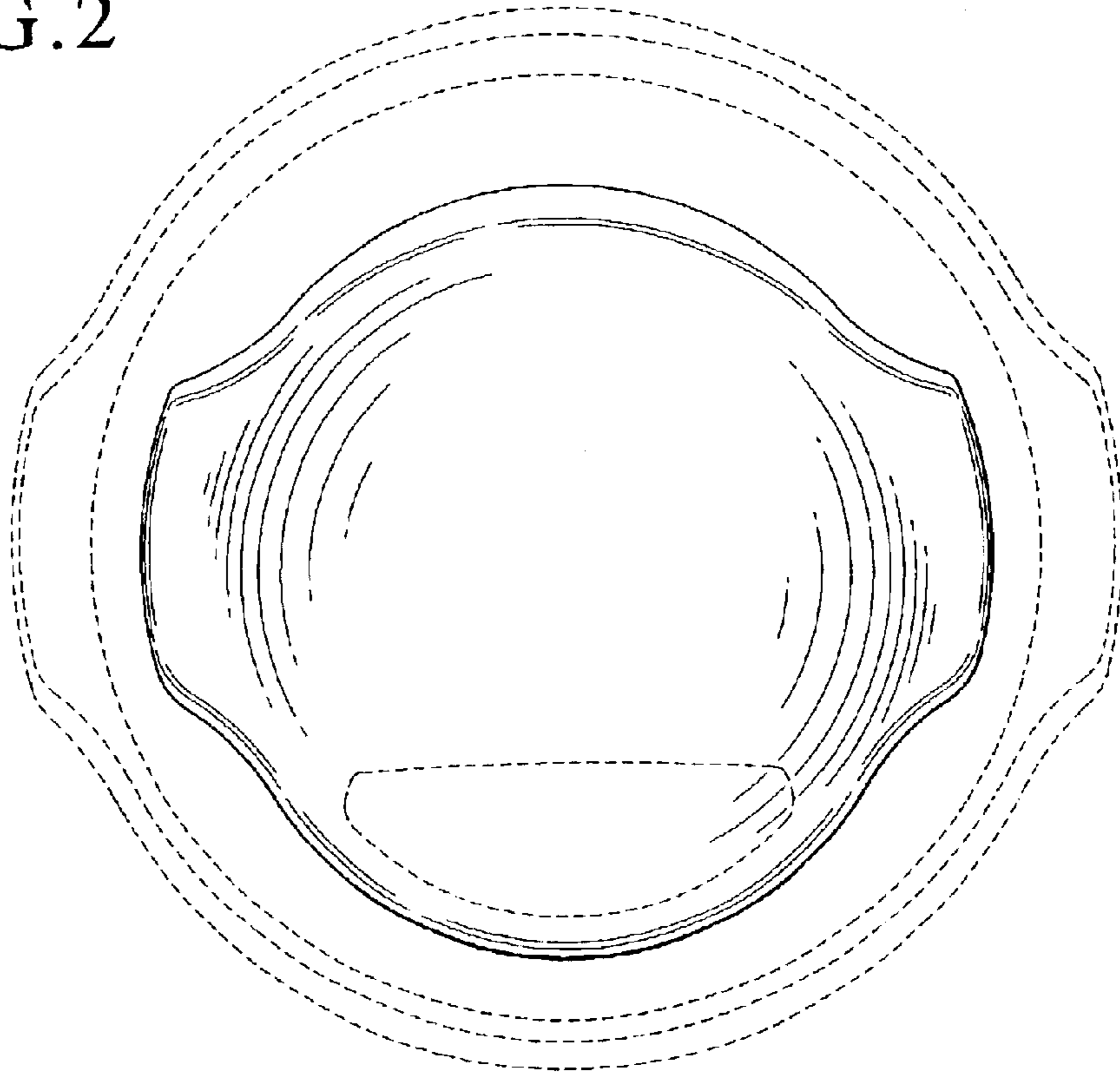


FIG. 3

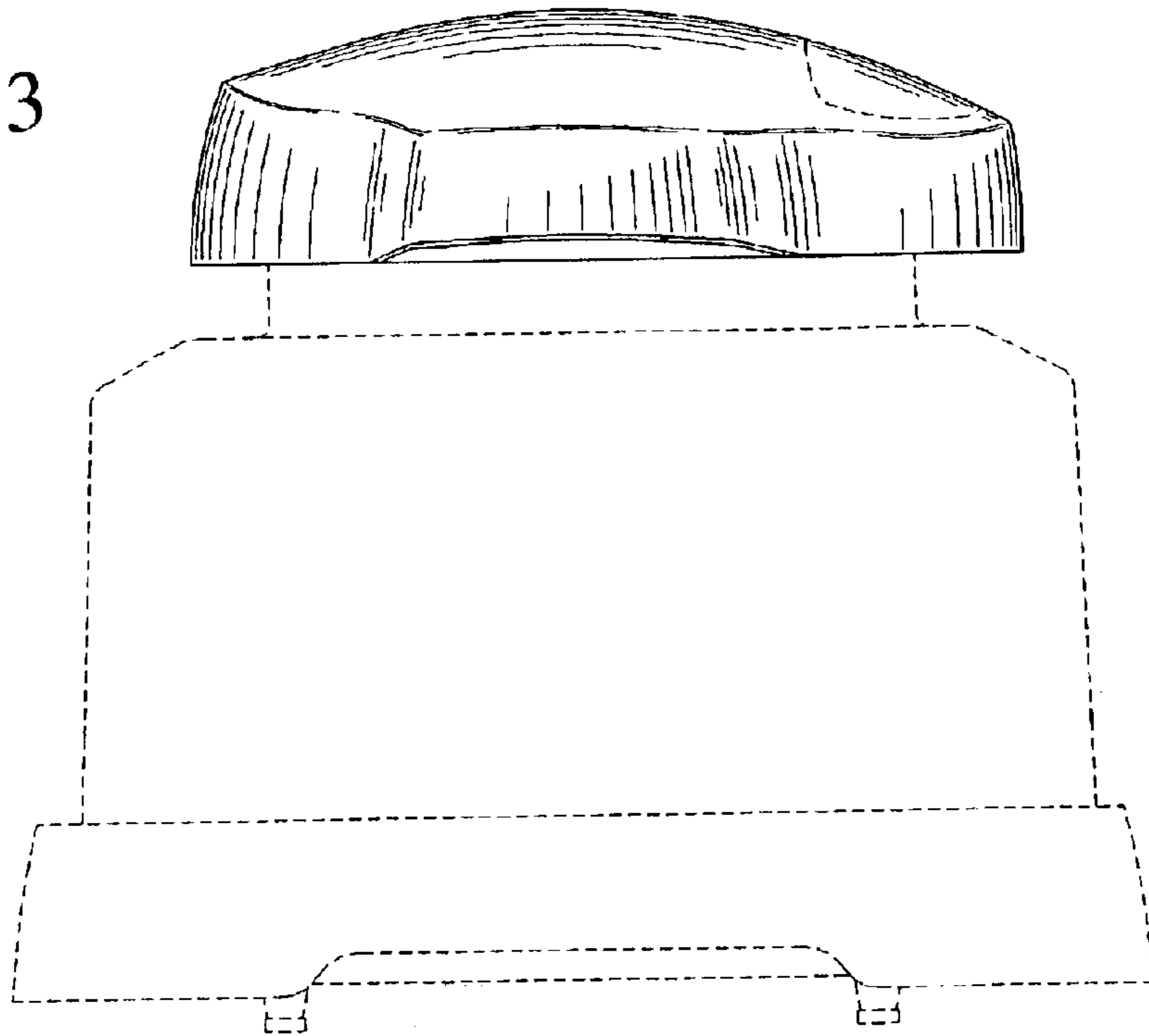


FIG. 4

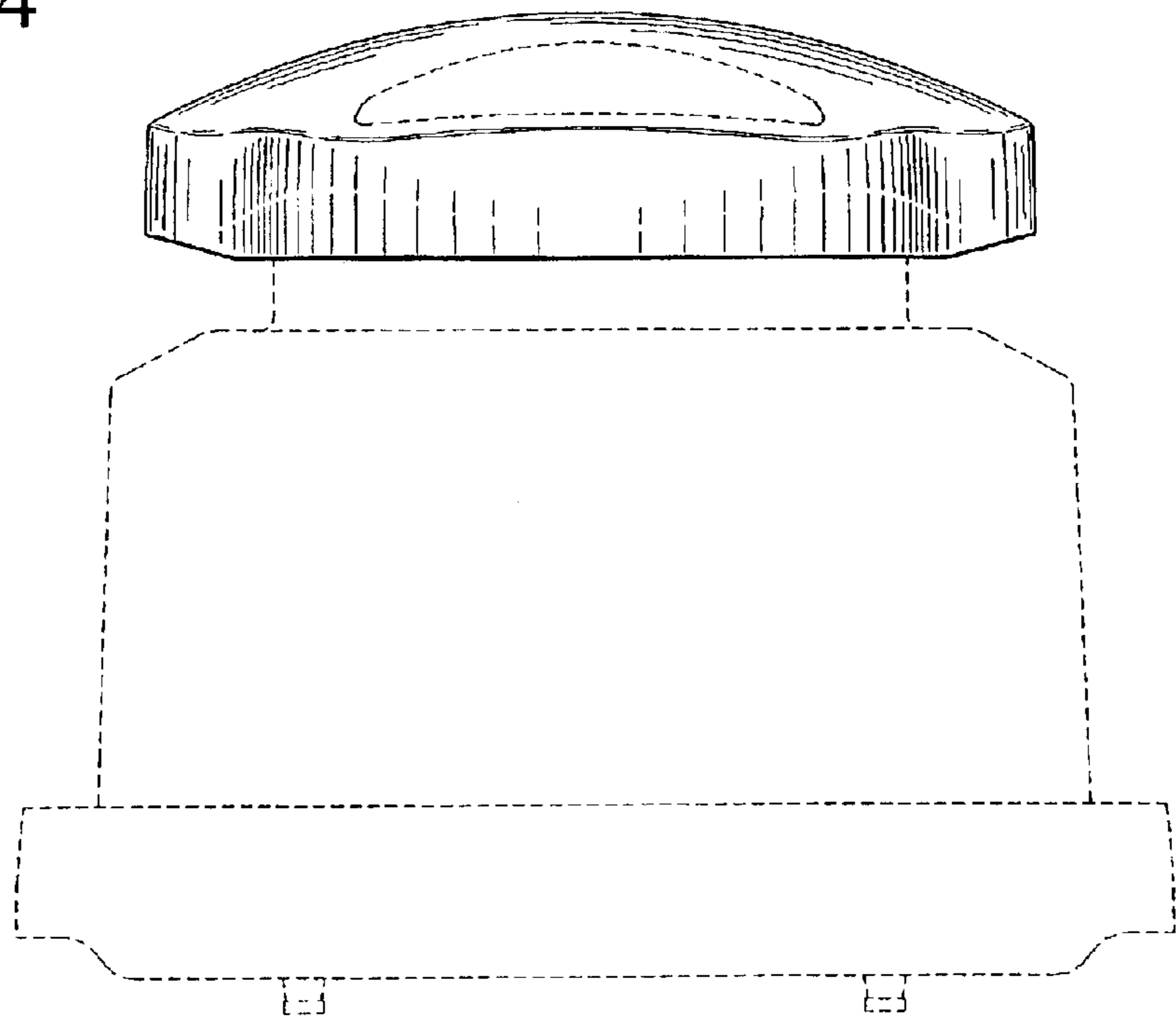


FIG. 5

