



US00D490646S

(12) **United States Design Patent**
Chedal Anglay

(10) **Patent No.:** **US D490,646 S**

(45) **Date of Patent:** **** Jun. 1, 2004**

(54) **STEAMER**

* cited by examiner

(75) **Inventor:** **Christophe Chedal Anglay**, Cran
Gevrier (FR)

Primary Examiner—Caron D. Veynar
(74) *Attorney, Agent, or Firm*—Browdy and Neimark,
P.L.L.C.

(73) **Assignee:** **SEB**, Selongey (FR)

(**) **Term:** **14 Years**

(57) **CLAIM**

The ornamental design for a steamer, as shown.

(21) **Appl. No.:** **29/182,323**

DESCRIPTION

(22) **Filed:** **May 27, 2003**

(30) **Foreign Application Priority Data**

Dec. 20, 2002 (FR) 02 7768

(51) **LOC (7) Cl.** **07-02**

(52) **U.S. Cl.** **D7/356**

(58) **Field of Search** D7/354, 356, 360;
99/324, 325, 339, 357, 395, 410, 422; 126/20,
19 R, 275 R, 275 E, 369, 377; 219/620-622,
385, 386; 220/573.1-574

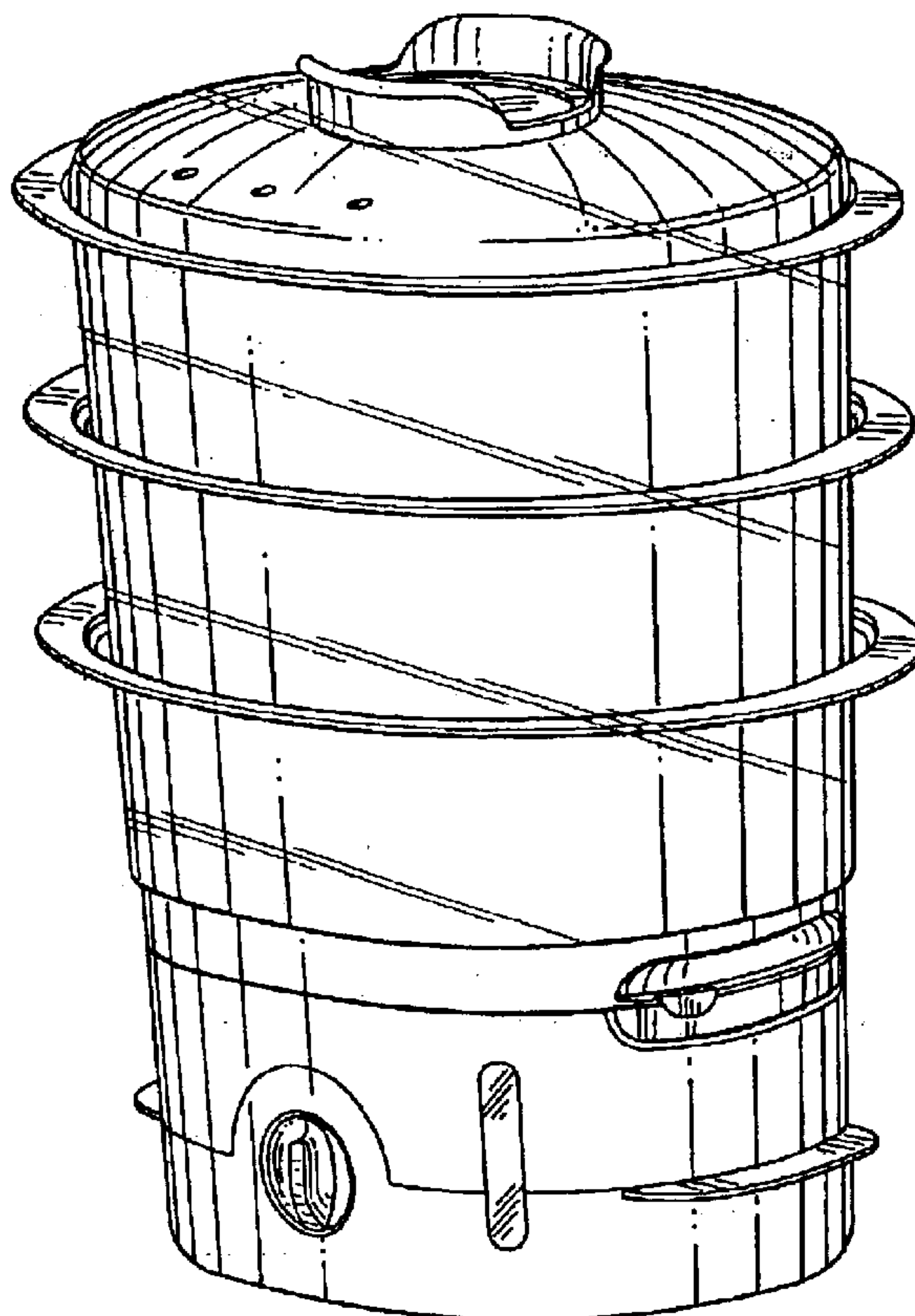
FIG. 1 is a front view of a steamer in accordance with the present design in a first operating state;
FIG. 2 is a front view thereof in a second operating state;
FIG. 3 is a rear view thereof in the first operating state;
FIG. 4 is a left side view thereof in either operating state;
FIG. 5 is a right side view thereof in the first operating state;
FIG. 6 is a top plan view thereof in either operating state;
FIG. 7 is a bottom plan view thereof in the first operating state;
FIG. 8 is a perspective view thereof in the first operating state;
FIG. 9 is a detail perspective view of a portion of the lower part thereof in the second operating state; and,
FIG. 10 is a perspective view thereof in which the components have been placed in a compact configuration for storage.

(56) **References Cited**

U.S. PATENT DOCUMENTS

D297,100 S	*	8/1988	Schaller	D7/356
D402,848 S	*	12/1998	Piret	D7/356
D404,244 S	*	1/1999	Josancy	D7/354
D463,712 S	*	10/2002	Josancy	D7/356
D481,257 S	*	10/2003	Josancy	D7/356

1 Claim, 10 Drawing Sheets



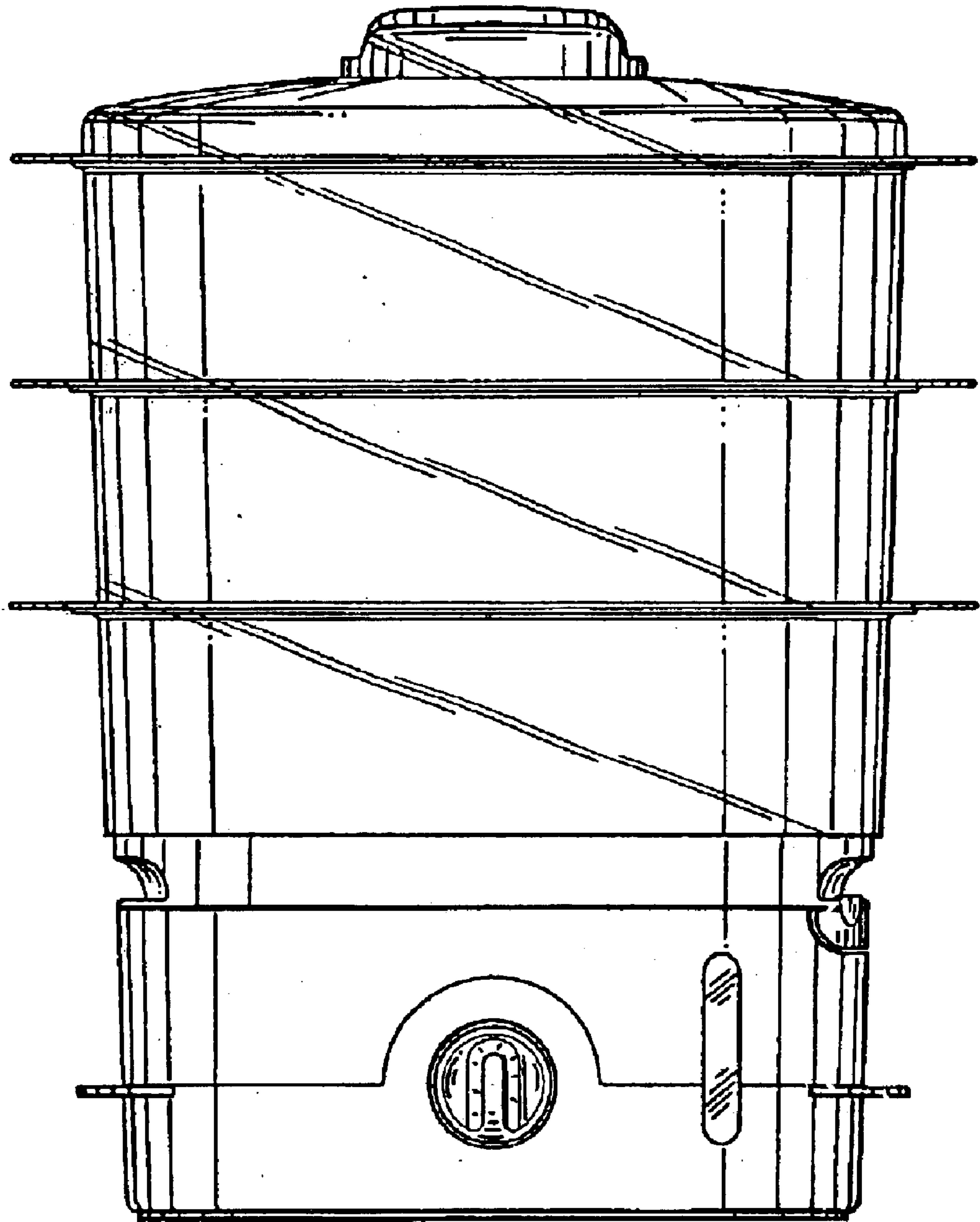


Fig. 1

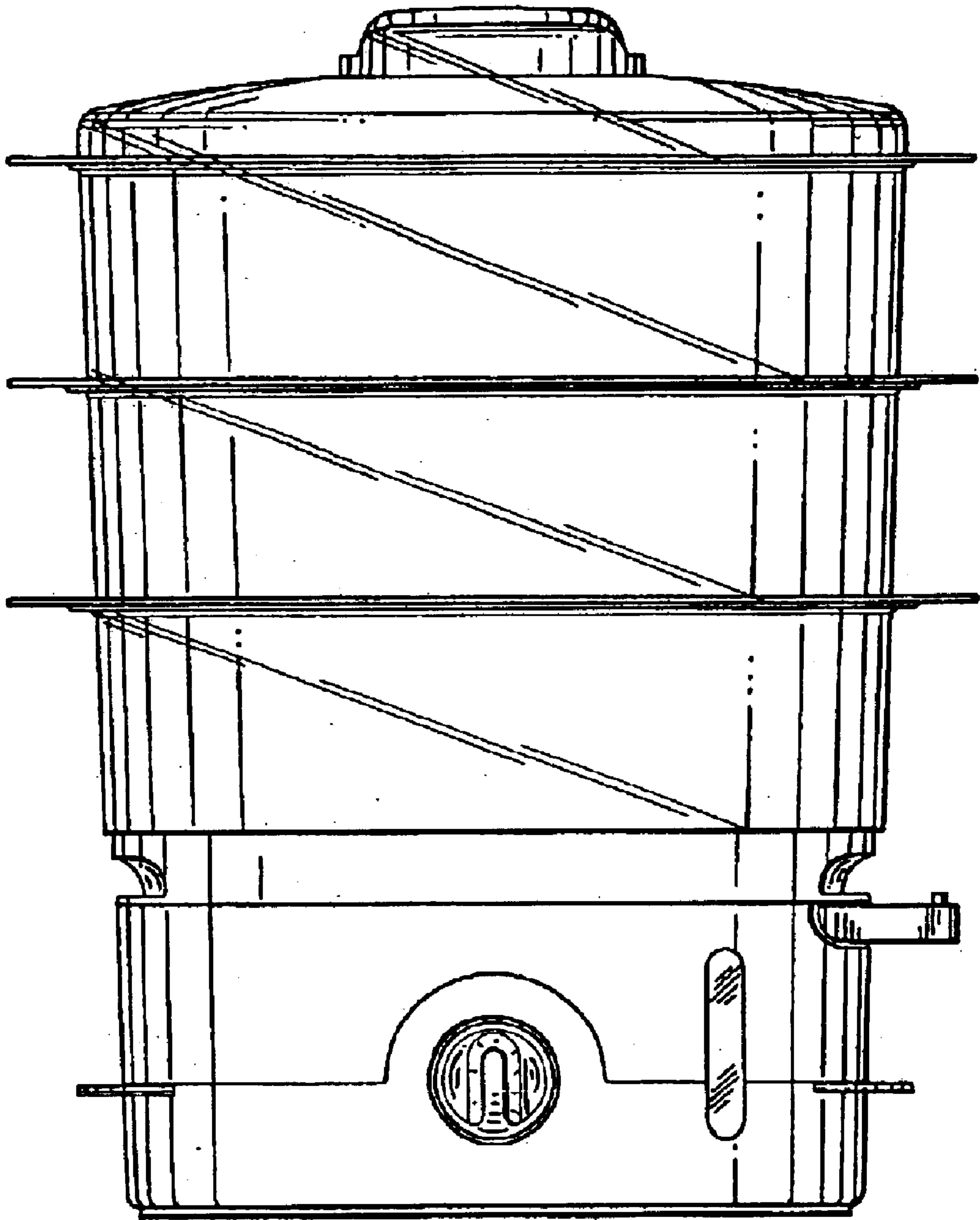


Fig. 2

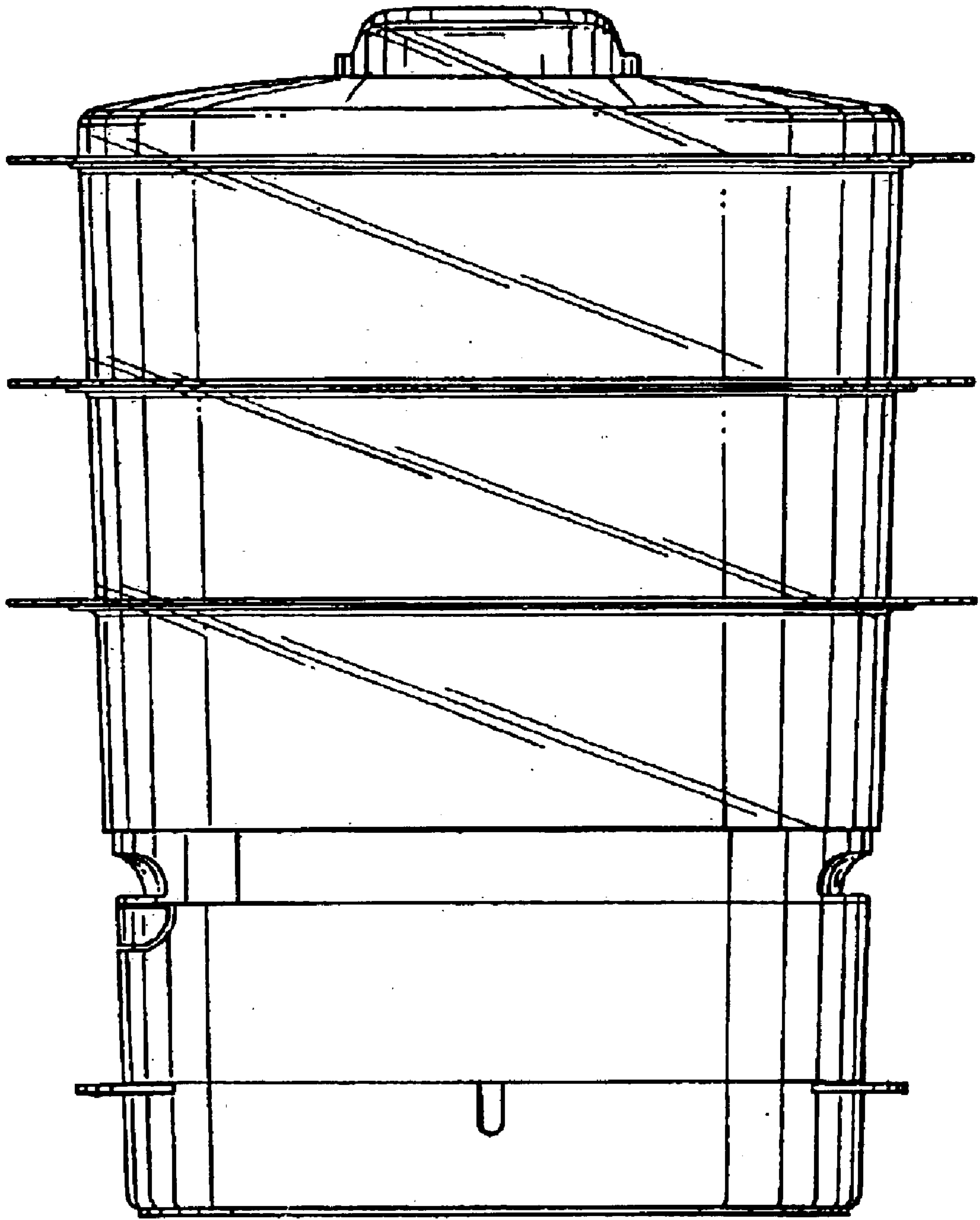


Fig. 3

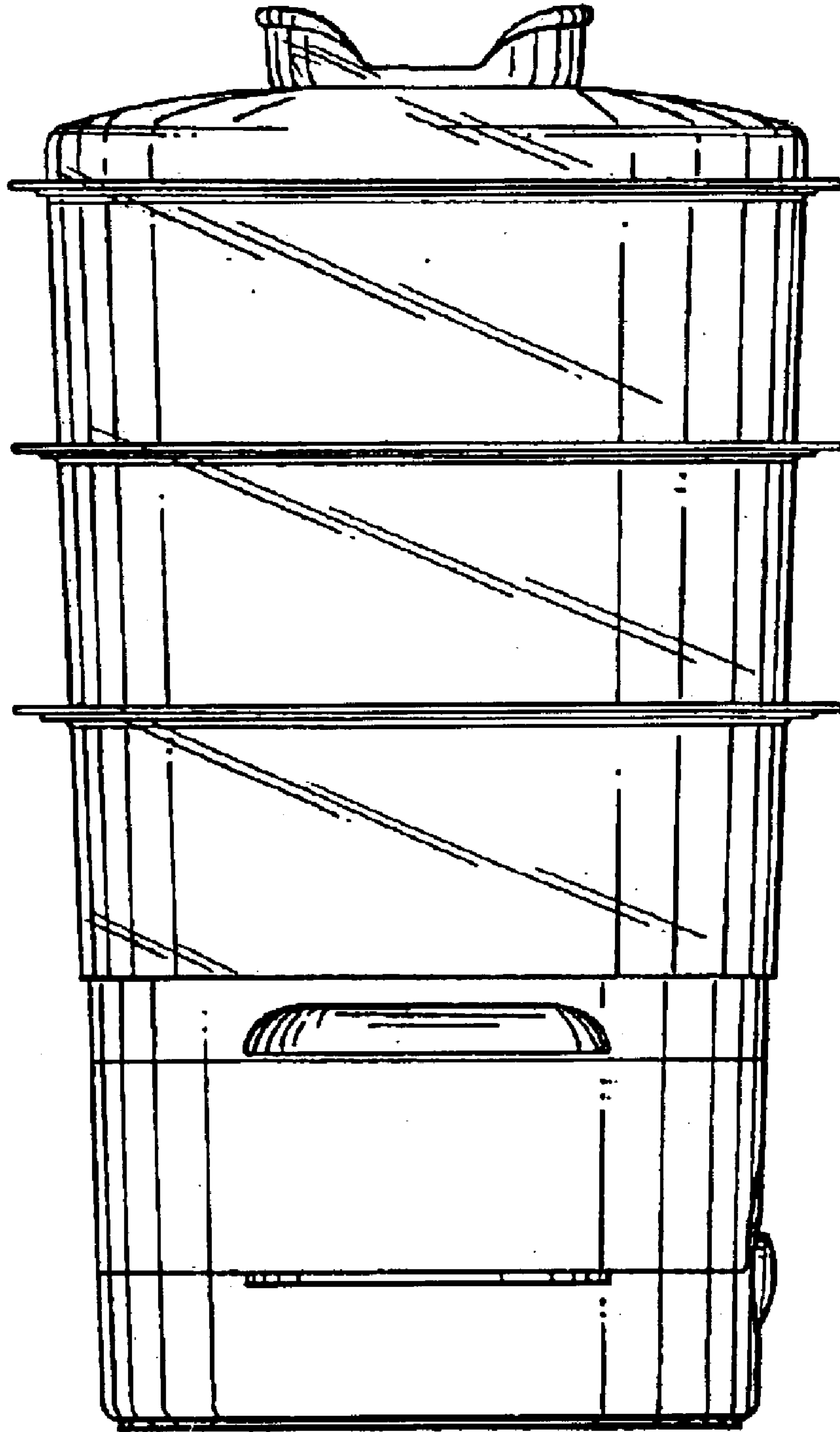


Fig. 4

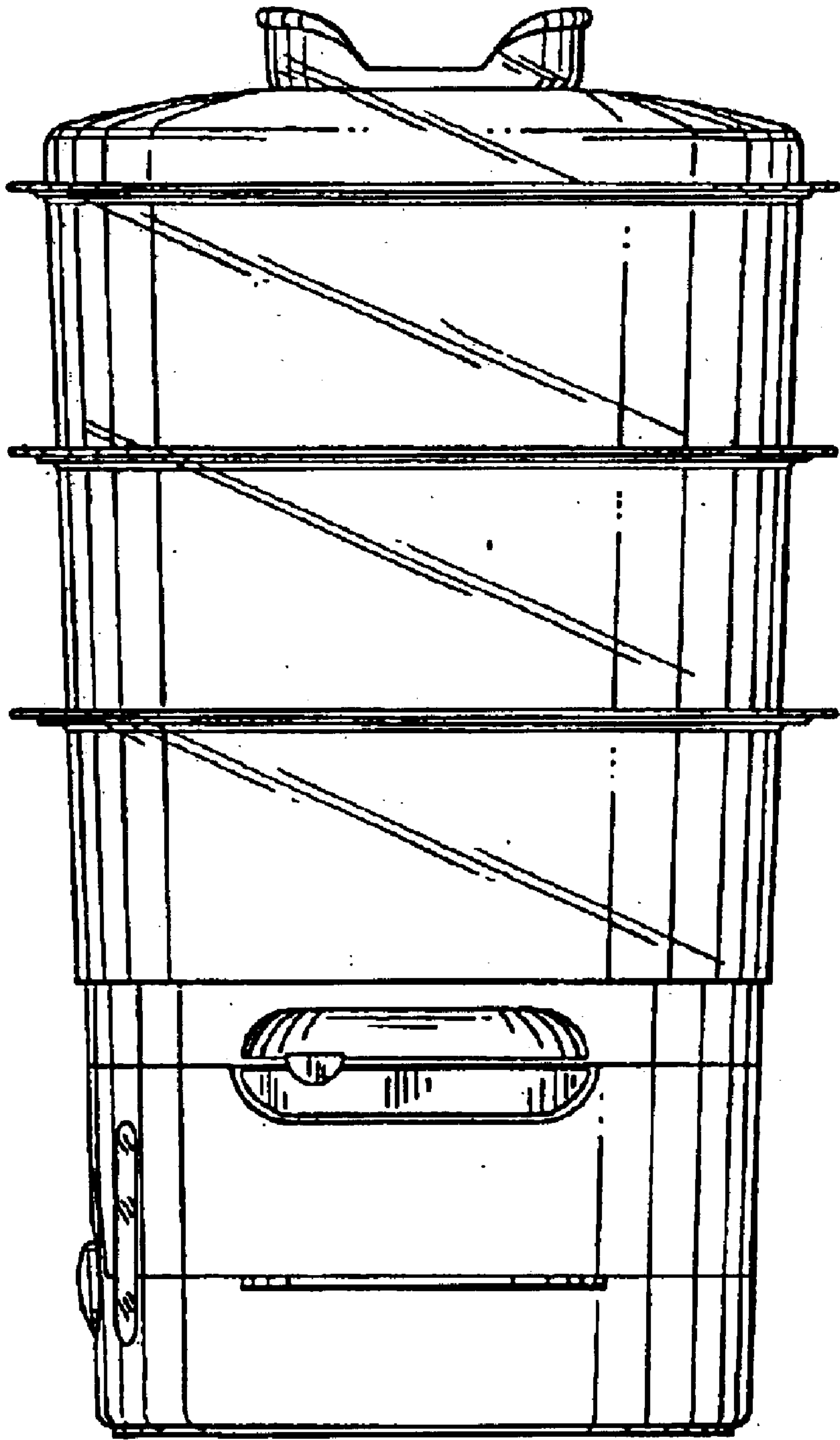


Fig. 5

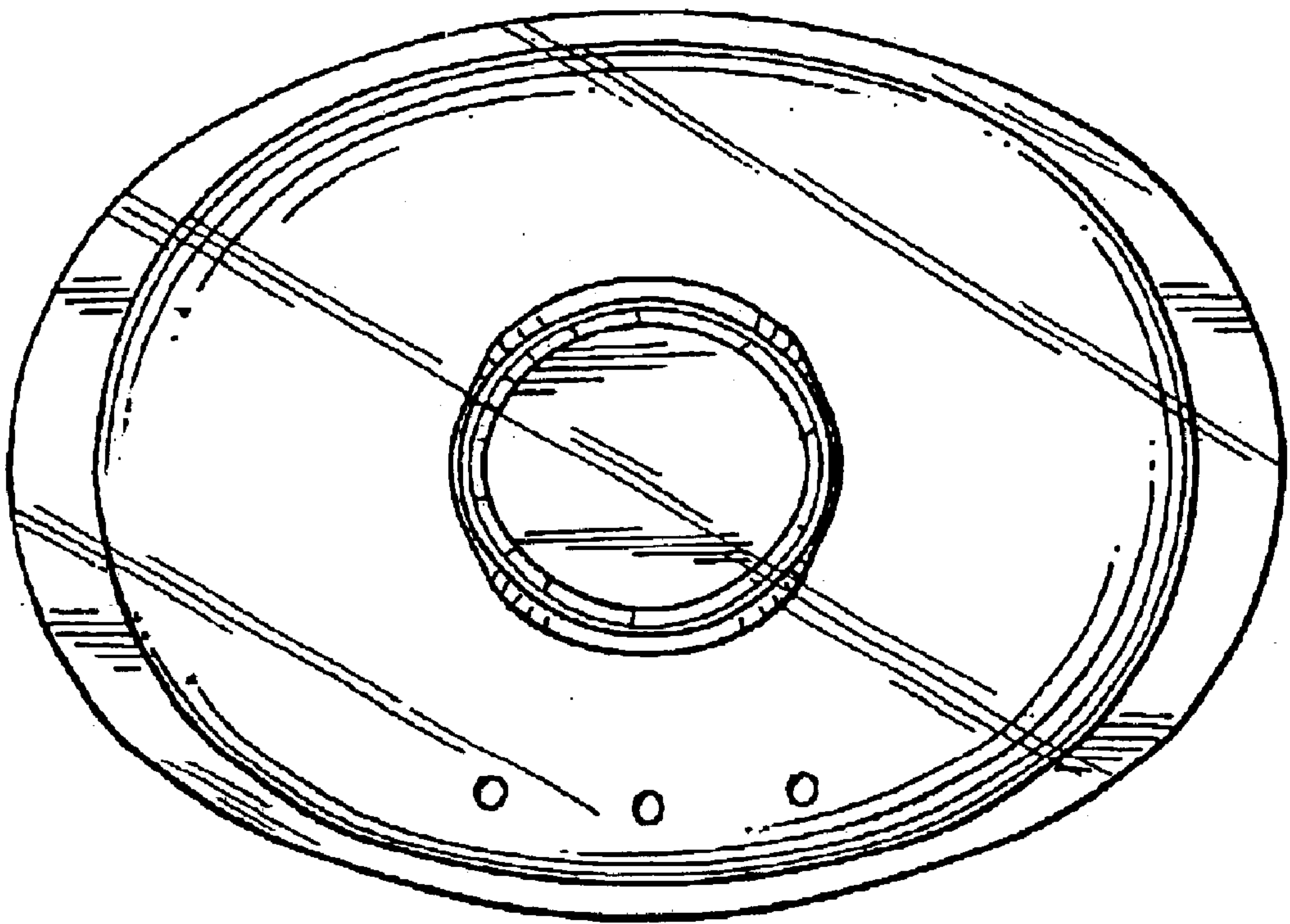


Fig. 6

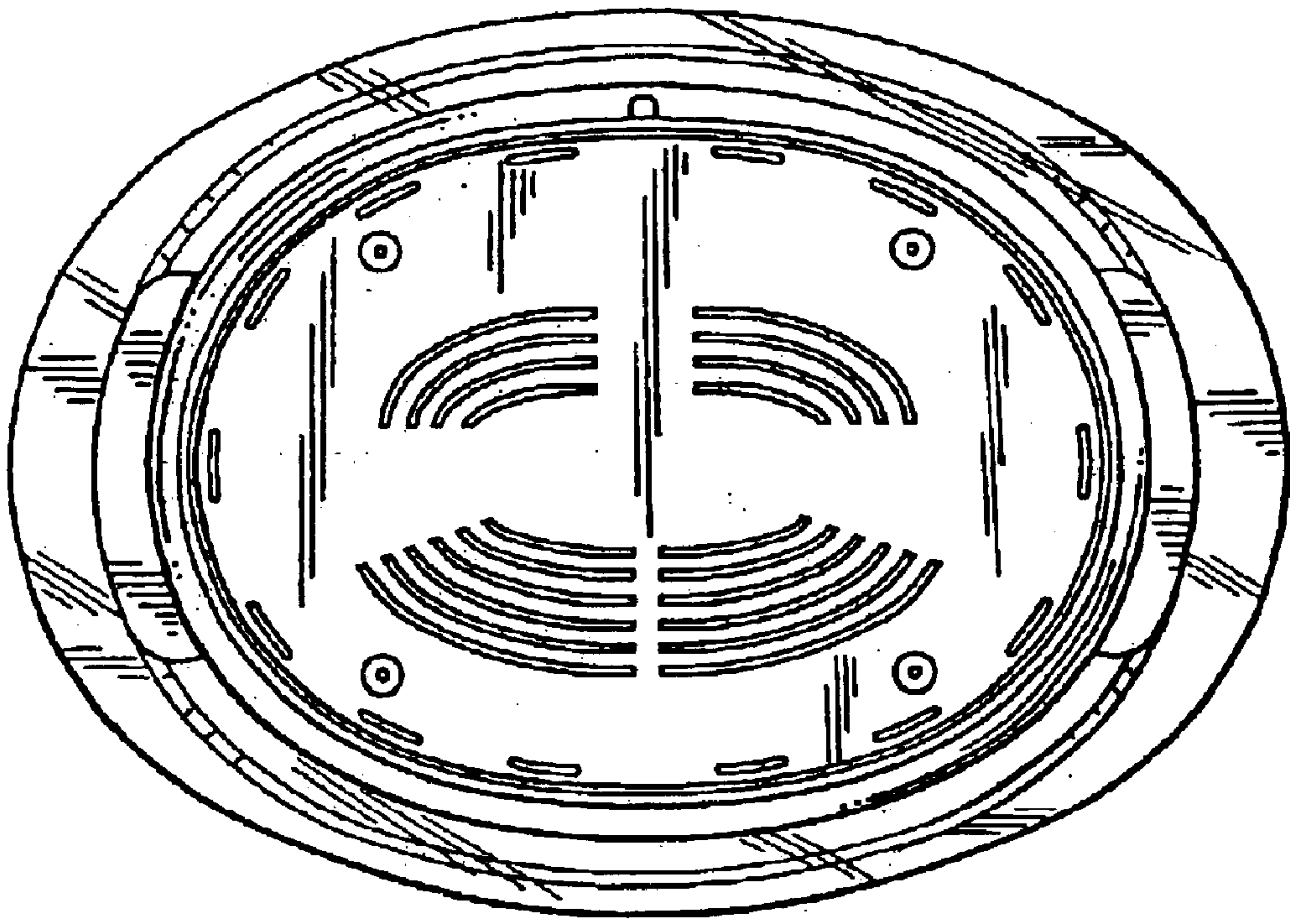


Fig. 7

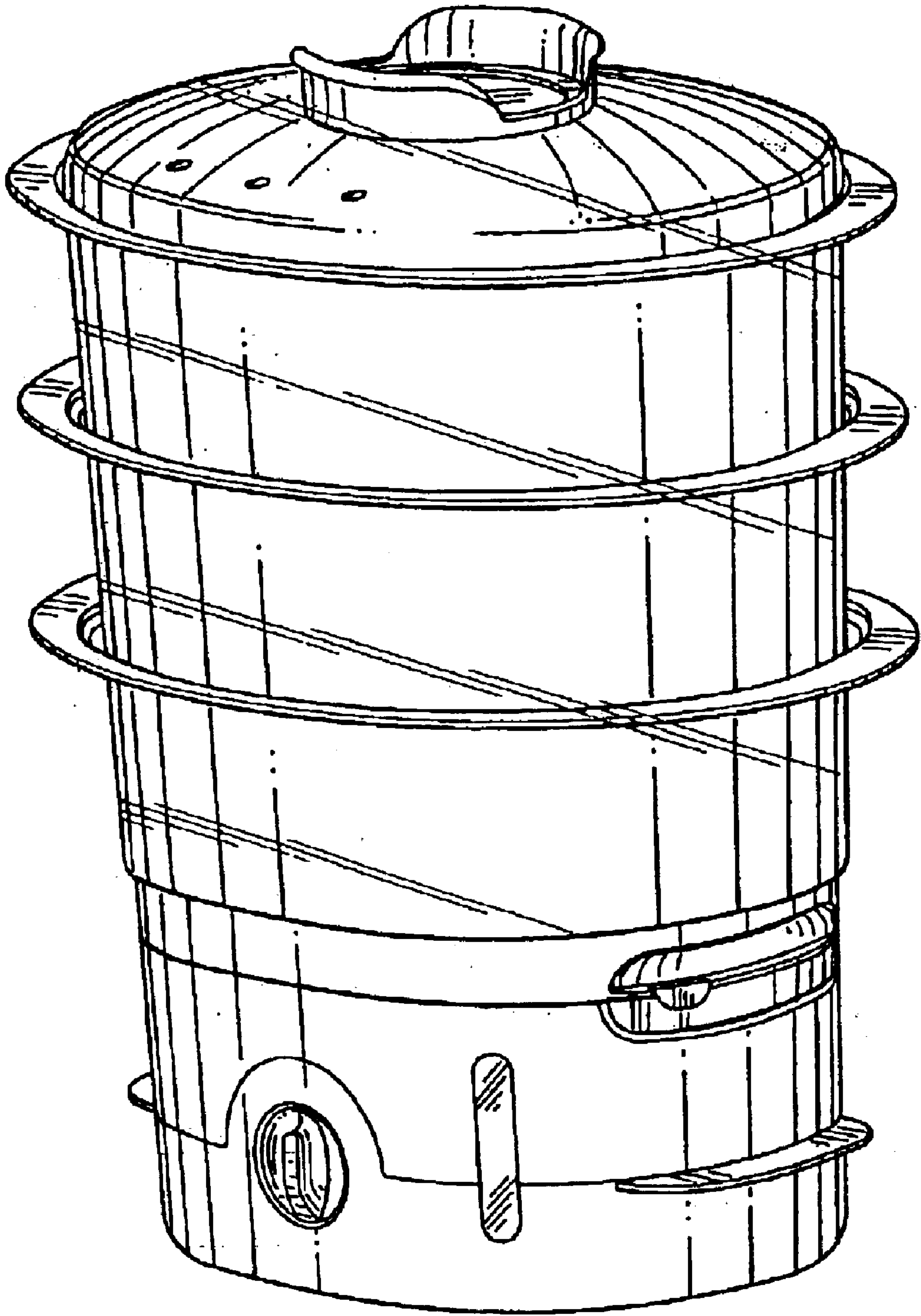


Fig. 8

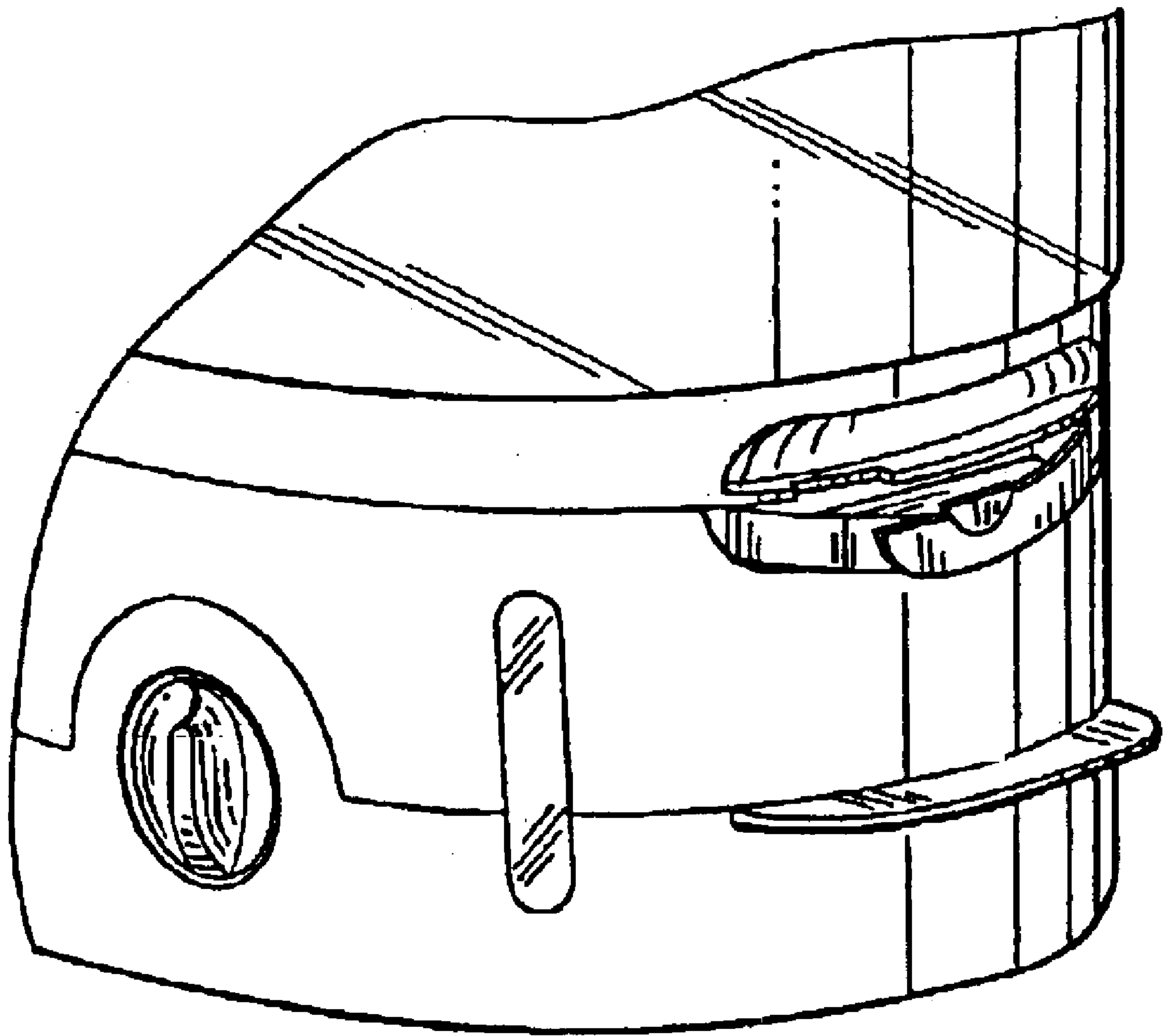


Fig. 9

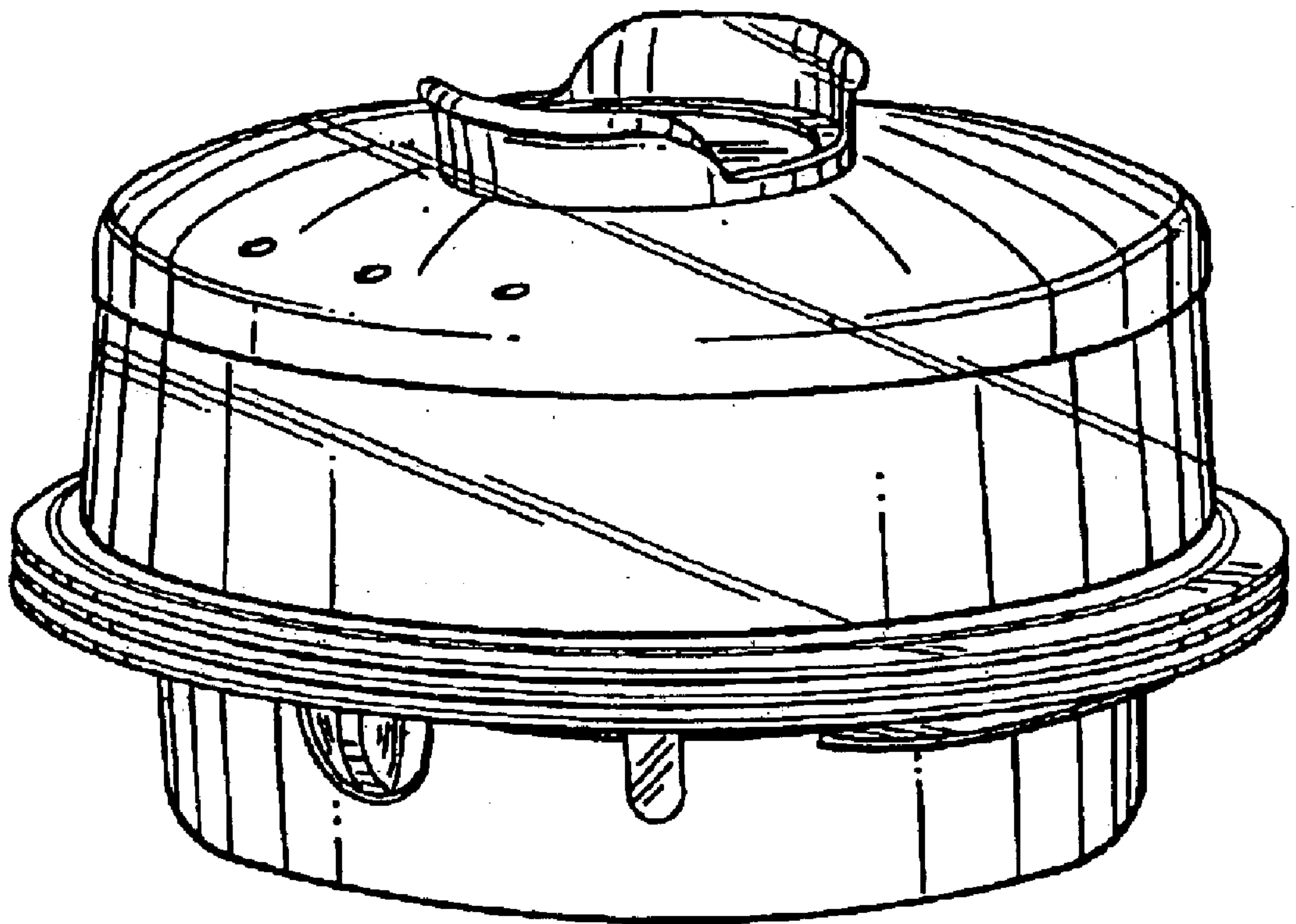


Fig. 10