



US00D490645S

(12) **United States Design Patent**  
**Firlotte**

(10) **Patent No.:** **US D490,645 S**

(45) **Date of Patent:** **\*\* Jun. 1, 2004**

(54) **BARBEQUE GRILLING STONE**

D427,843 S \* 7/2000 Van Over ..... D7/362

(76) Inventor: **Camille J. Firlotte**, 83 Fallingdale  
Crescent, Brampton, Ontario (CA), L6T  
3J5

\* cited by examiner

*Primary Examiner*—Lisa Lichtenstein  
(74) *Attorney, Agent, or Firm*—Marks & Clerk

(\*\*) Term: **14 Years**

(57) **CLAIM**

(21) Appl. No.: **29/180,015**

The ornamental design for a barbecue grilling stone, as shown and described.

(22) Filed: **Apr. 18, 2003**

(30) **Foreign Application Priority Data**

**DESCRIPTION**

Oct. 23, 2002 (CA) ..... 100992

FIG. 1 is a perspective top view of a barbecue grilling stone according to the present application;

(51) **LOC (7) Cl.** ..... **07-02**

FIG. 2 is a top view thereof, on a reduced scale;

(52) **U.S. Cl.** ..... **D7/354**

FIG. 3 is a first side view thereof, on a reduced scale;

(58) **Field of Search** ..... D7/354-361, 500.1,  
D7/554.3, 698, 402, 409; 99/426; 220/571,  
573.1

FIG. 4 is a second side view thereof, on a reduced scale;

FIG. 5 is an end view thereof, on a reduced scale;

FIG. 6 is a second end view thereof, on a reduced scale;

FIG. 7 is a bottom view thereof, on a reduced scale; and,

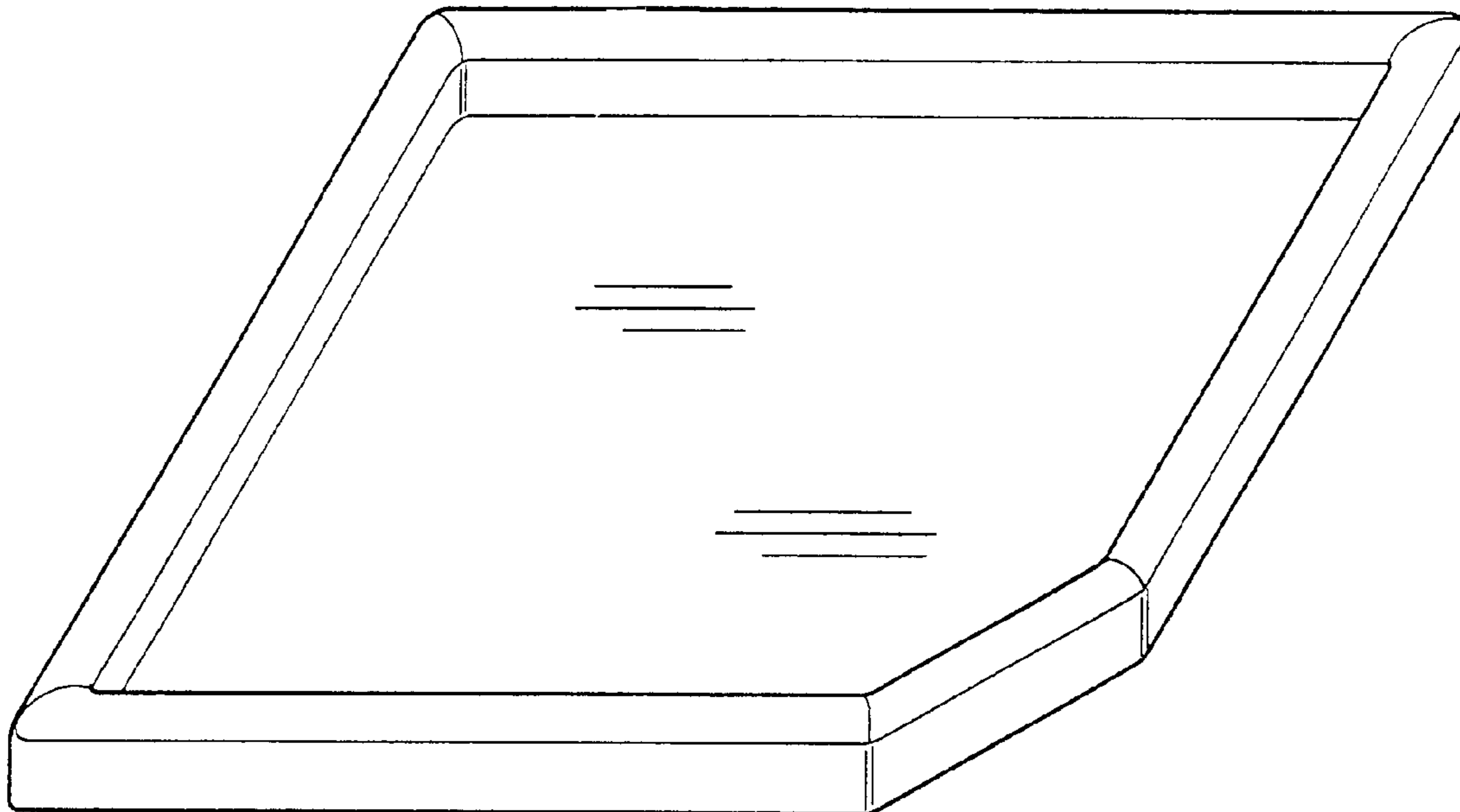
FIG. 8 is a perspective top view of a mirror-image of the barbecue grilling stone shown in FIG. 1.

(56) **References Cited**

**U.S. PATENT DOCUMENTS**

D363,195 S \* 10/1995 Bransby ..... D7/698

**1 Claim, 3 Drawing Sheets**



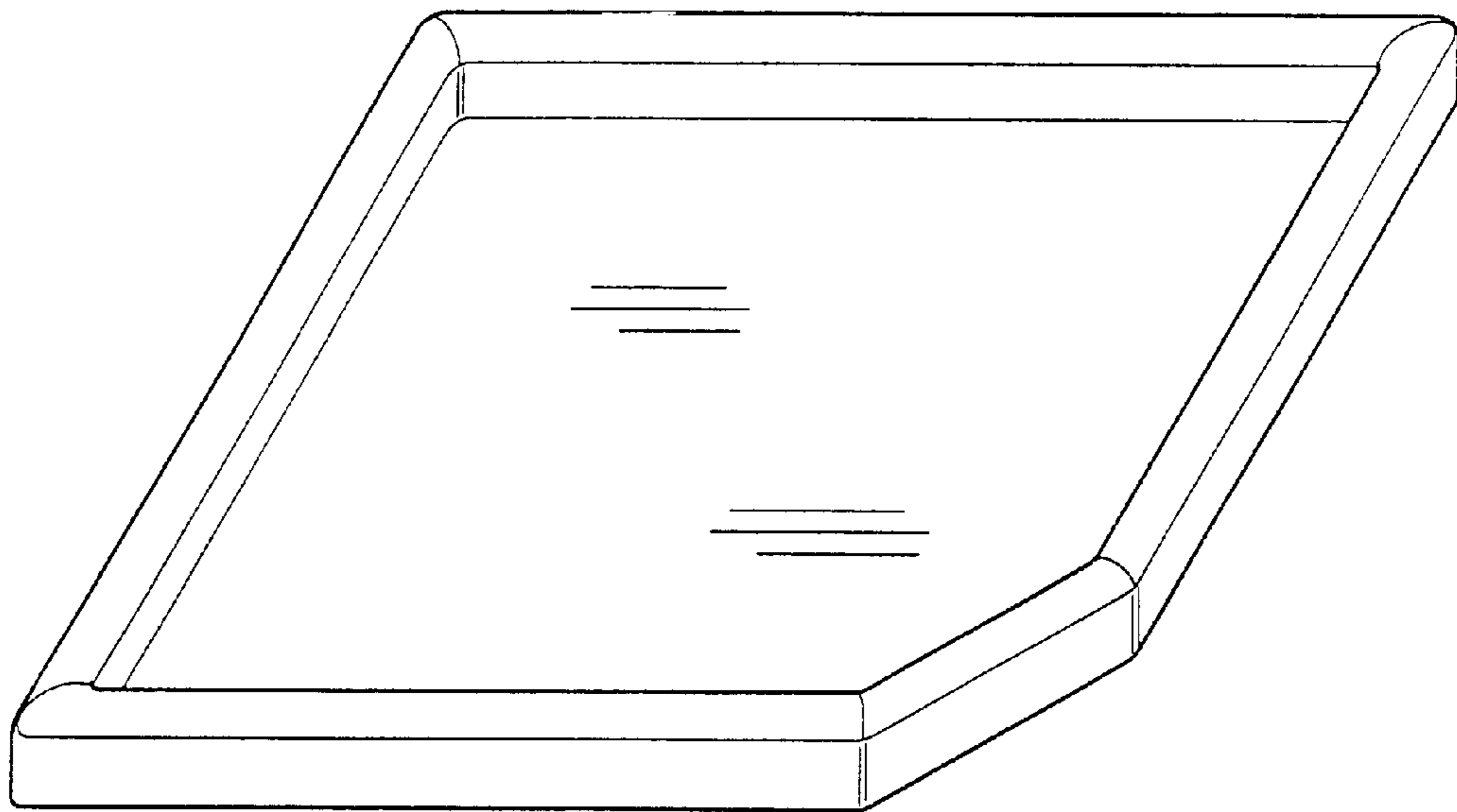


Figure 1

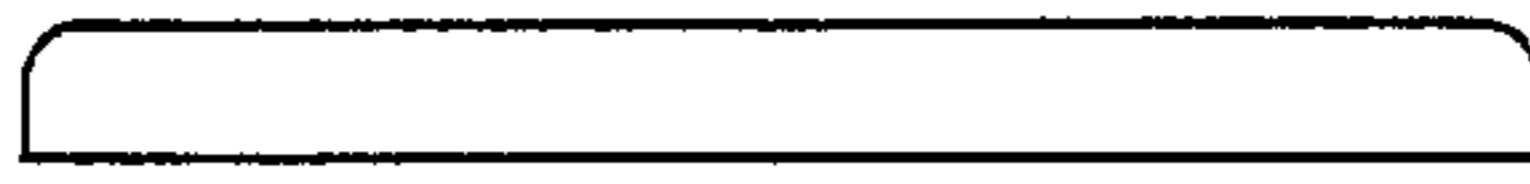


Figure 4



Figure 6

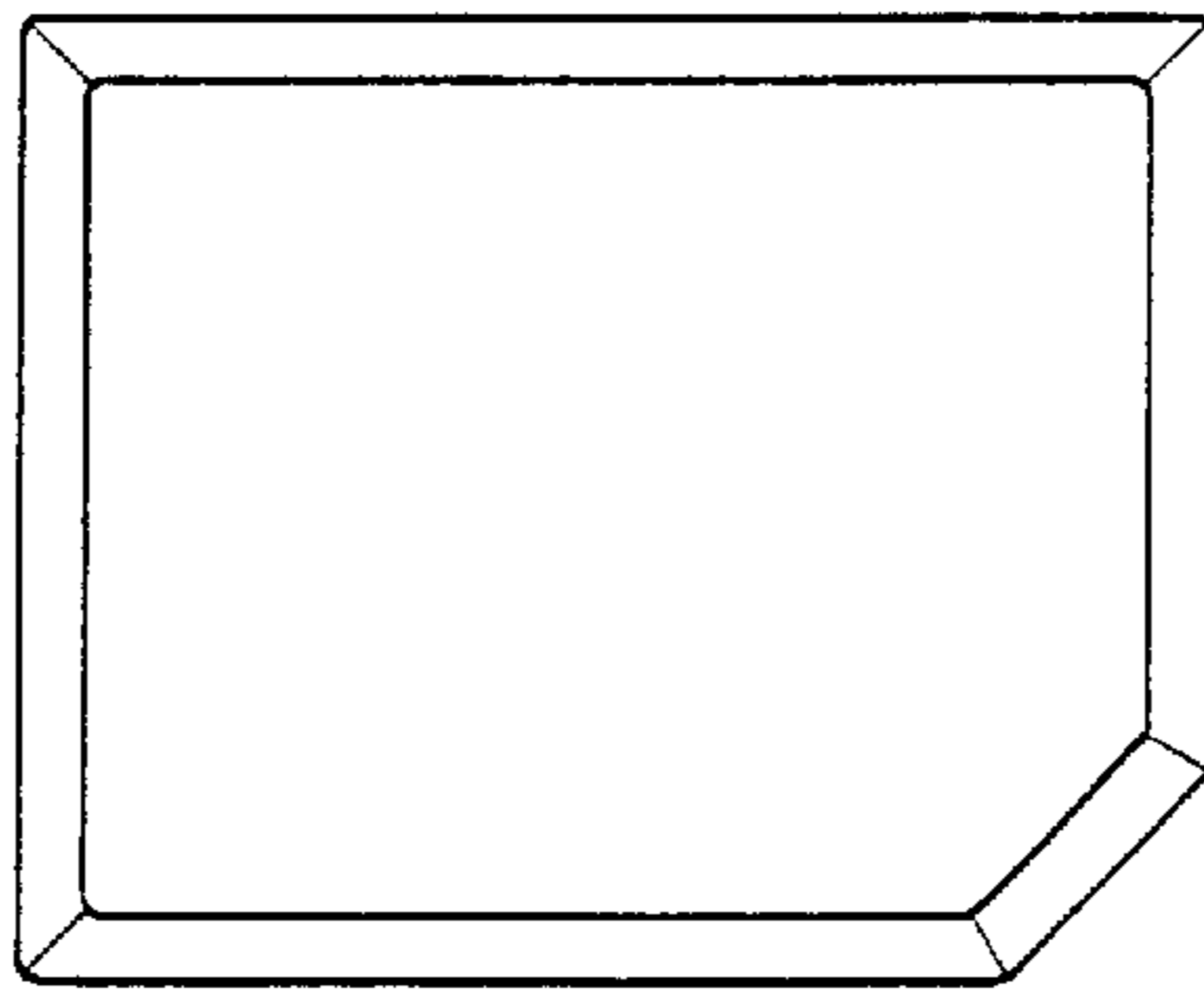


Figure 2



Figure 5



Figure 3

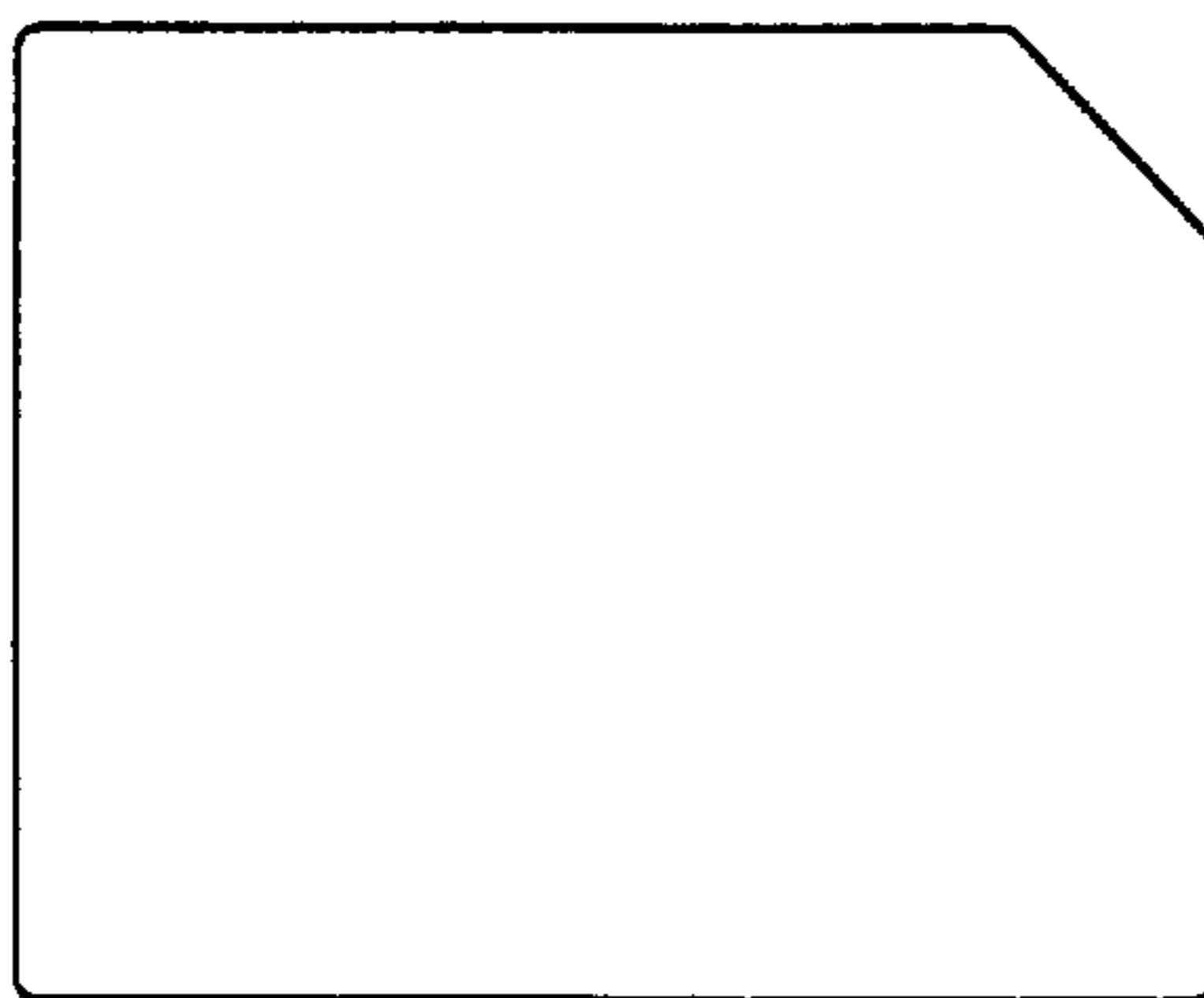


Figure 7

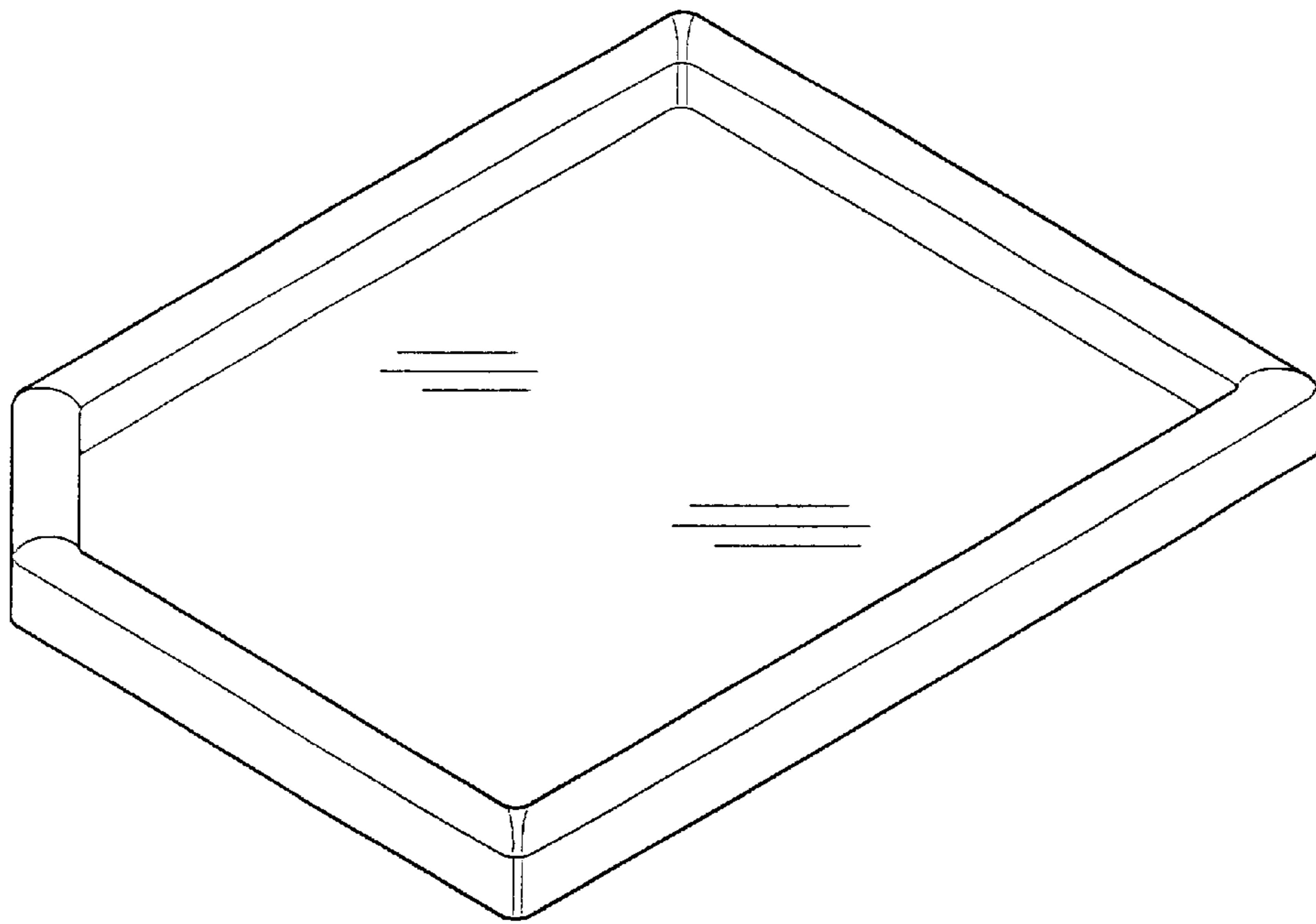


Figure 8