



US00D490642S

(12) **United States Design Patent**
Pai

(10) **Patent No.:** **US D490,642 S**

(45) **Date of Patent:** **** Jun. 1, 2004**

(54) **ROASTER**

(76) **Inventor:** **Lucas Pai**, 8 Fl.-2, No. 160, Sec. 1,
Chung-Kang Rd., Taichung (TW)

(**) **Term:** **14 Years**

(21) **Appl. No.:** **29/179,582**

(22) **Filed:** **Apr. 11, 2003**

(51) **LOC (7) Cl.** **07-02**

(52) **U.S. Cl.** **D7/334**

(58) **Field of Search** D7/332-338, 402-405;
126/25 R, 25 A, 25 AA, 41 R, 26-28, 4,
9 R; 99/421 R, 421 H, 421 M, 395

(56) **References Cited**

U.S. PATENT DOCUMENTS

- D460,313 S * 7/2002 Crookshanks et al. D7/334
- D462,564 S * 9/2002 Brake et al. D7/334
- D466,756 S * 12/2002 Bossler et al. D7/334
- D470,357 S * 2/2003 Home D7/334
- D471,057 S * 3/2003 Chung D7/334

- D472,756 S * 4/2003 Pai D7/334
- D475,235 S * 6/2003 Home D7/334
- D479,430 S * 9/2003 Chung D7/334
- D483,983 S * 12/2003 Harrod et al. D7/334

* cited by examiner

Primary Examiner—Ruth McInroy

(74) *Attorney, Agent, or Firm*—William E. Pelton, Esq.

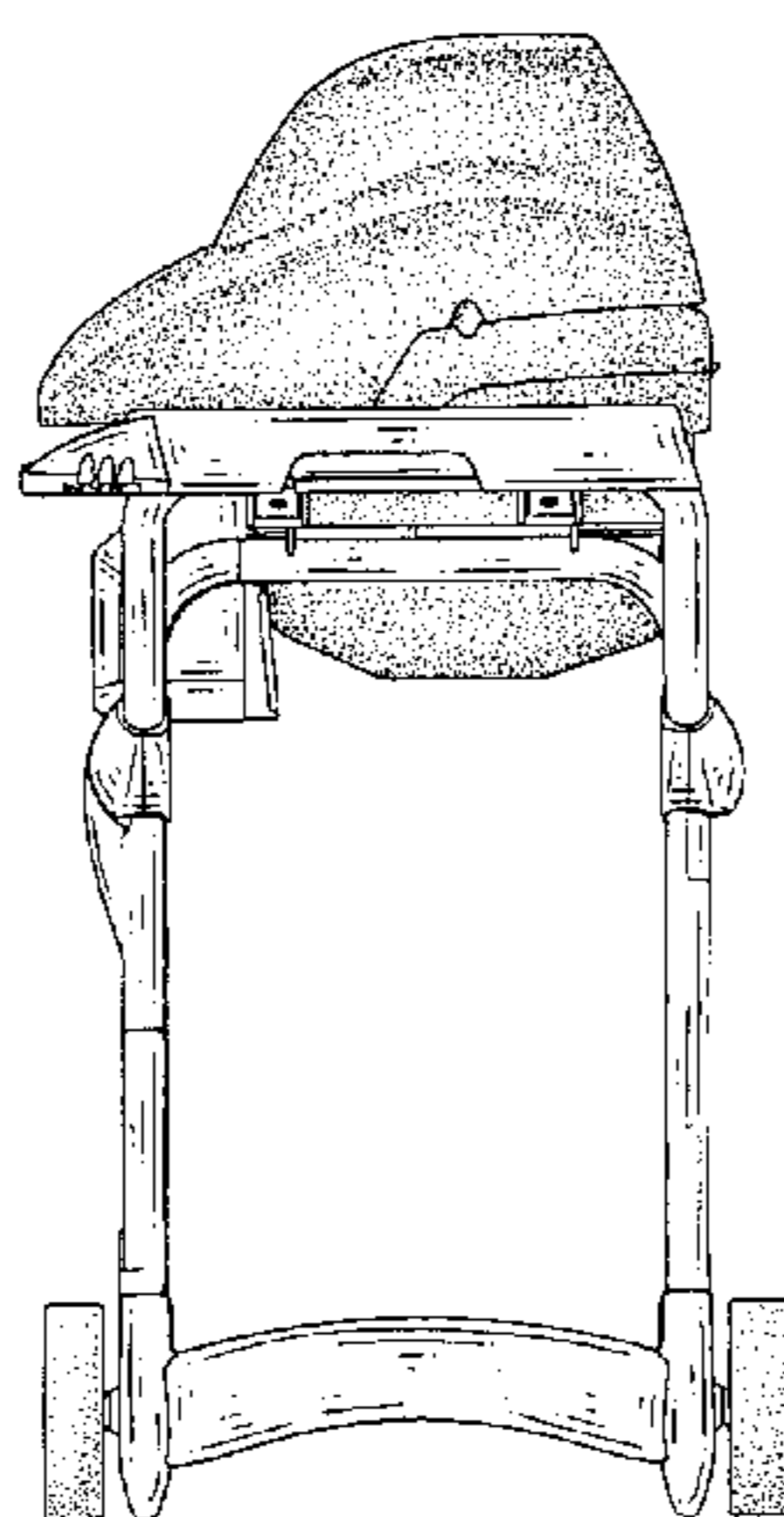
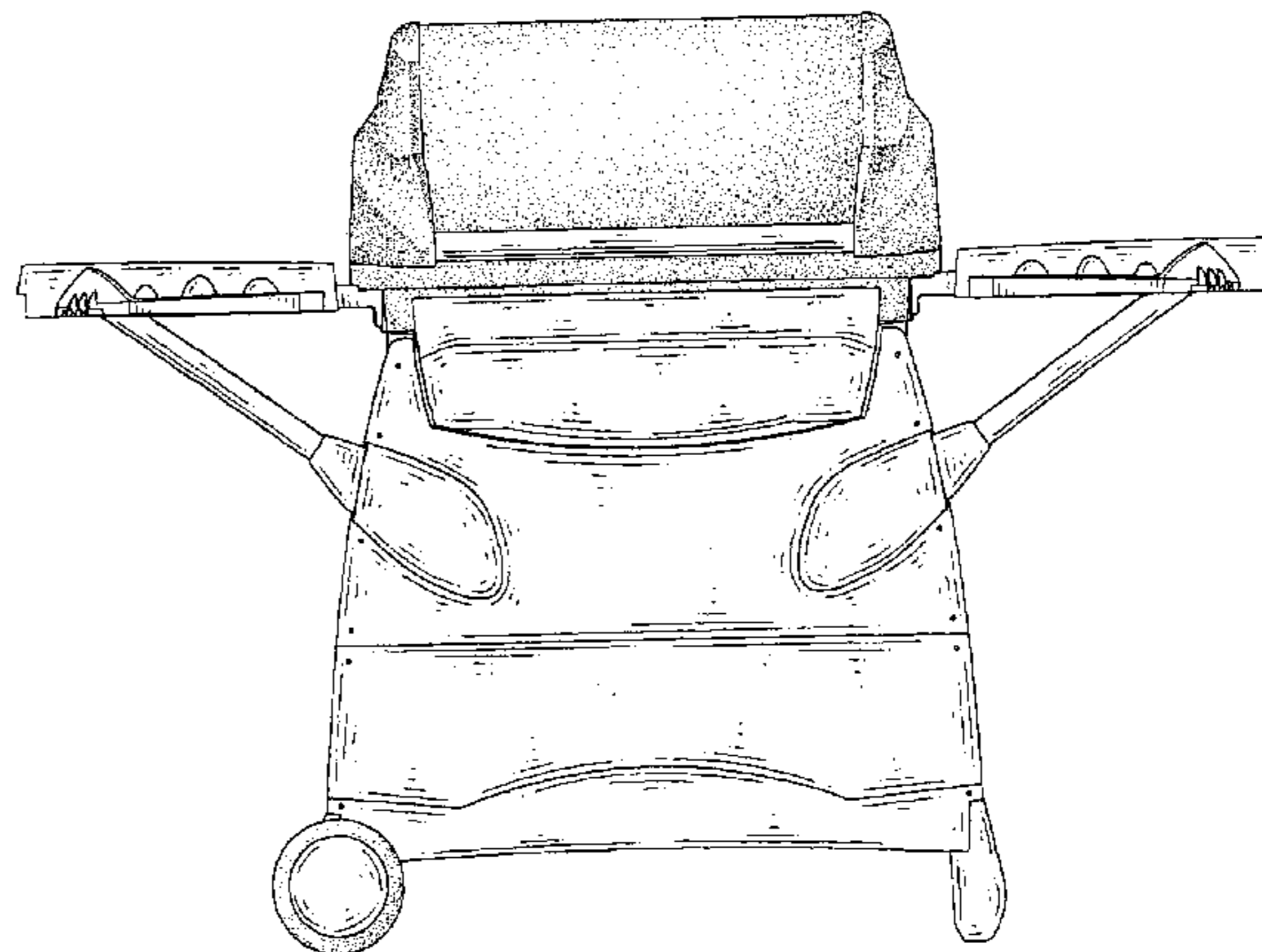
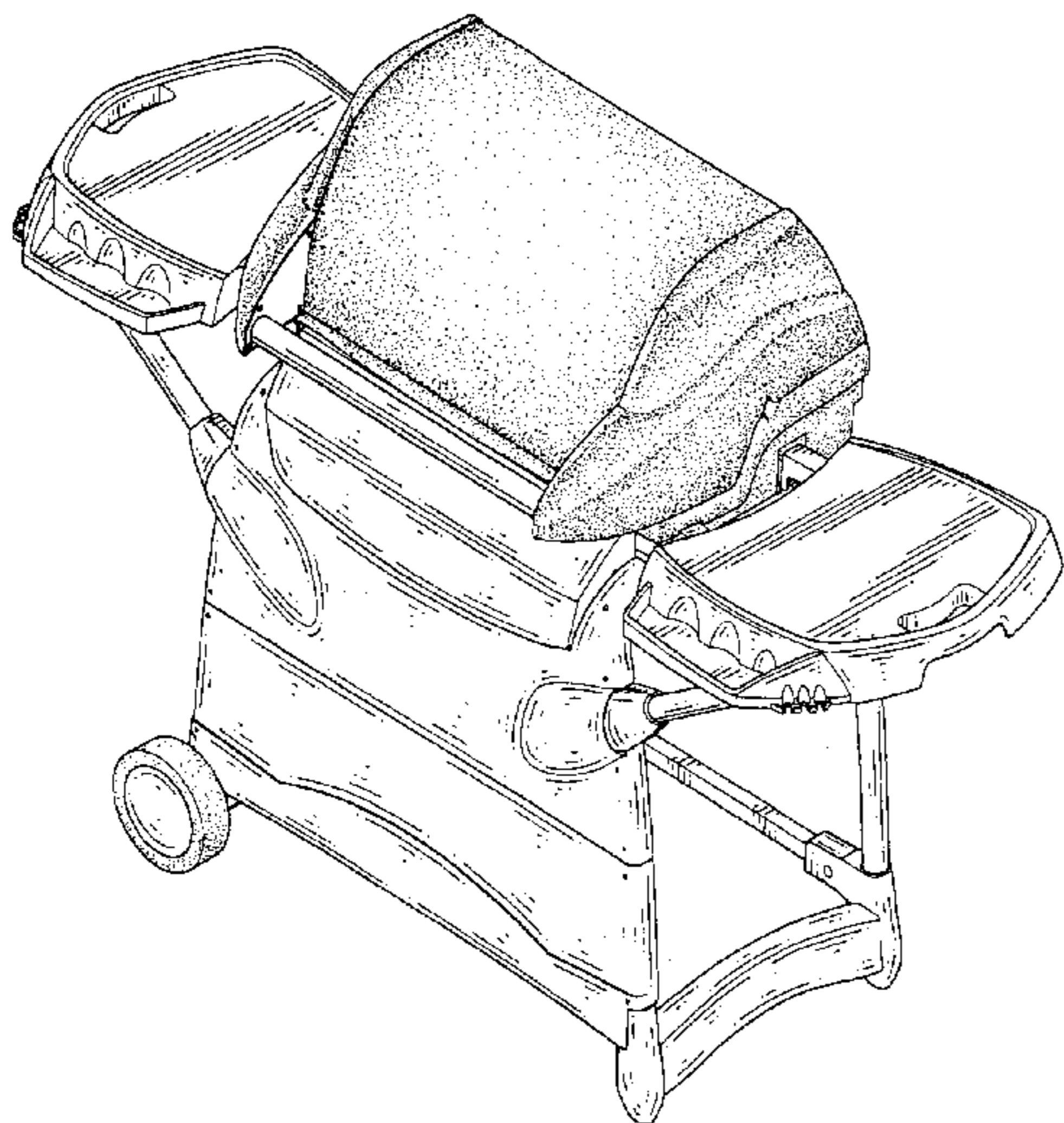
(57) **CLAIM**

The ornamental design for a roaster, as shown.

DESCRIPTION

FIG. 1 is a perspective view of a roaster showing my new design;
 FIG. 2 is a front elevational view thereof;
 FIG. 3 is a rear elevational view thereof;
 FIG. 4 is a left side view thereof;
 FIG. 5 is a right side view thereof;
 FIG. 6 is a top plain view thereof; and,
 FIG. 7 is a bottom plain view thereof.

1 Claim, 6 Drawing Sheets



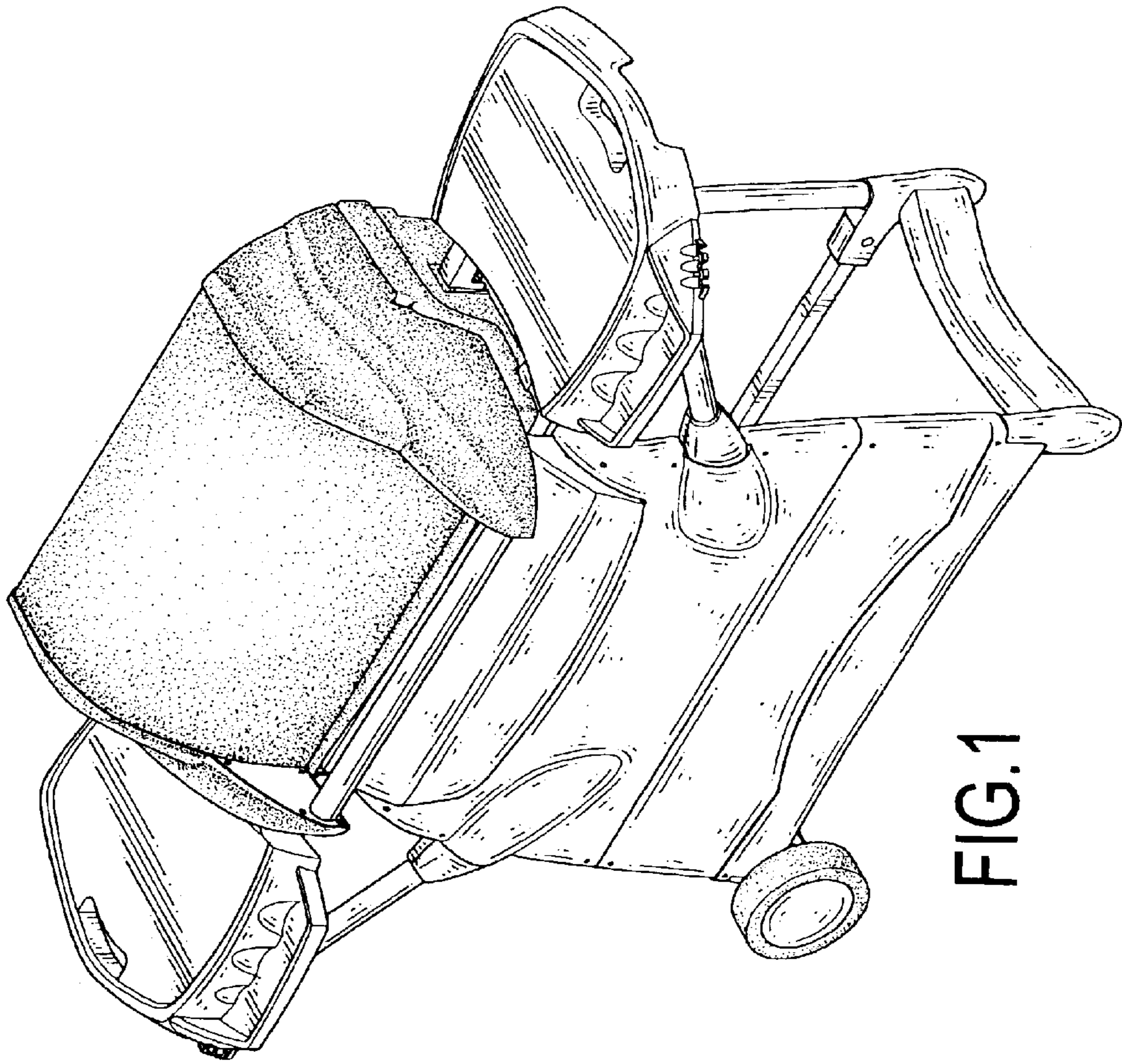


FIG. 1

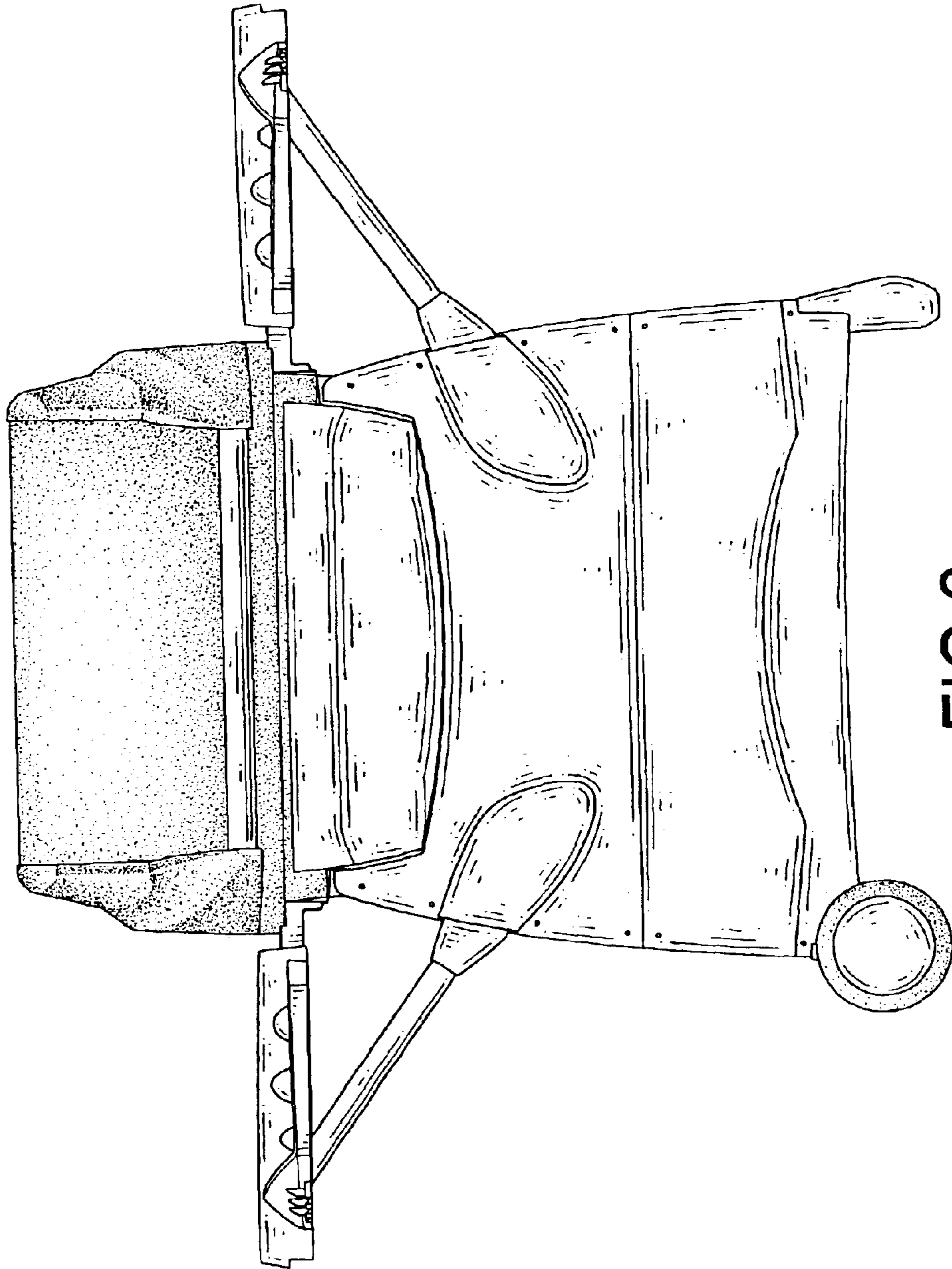


FIG.2

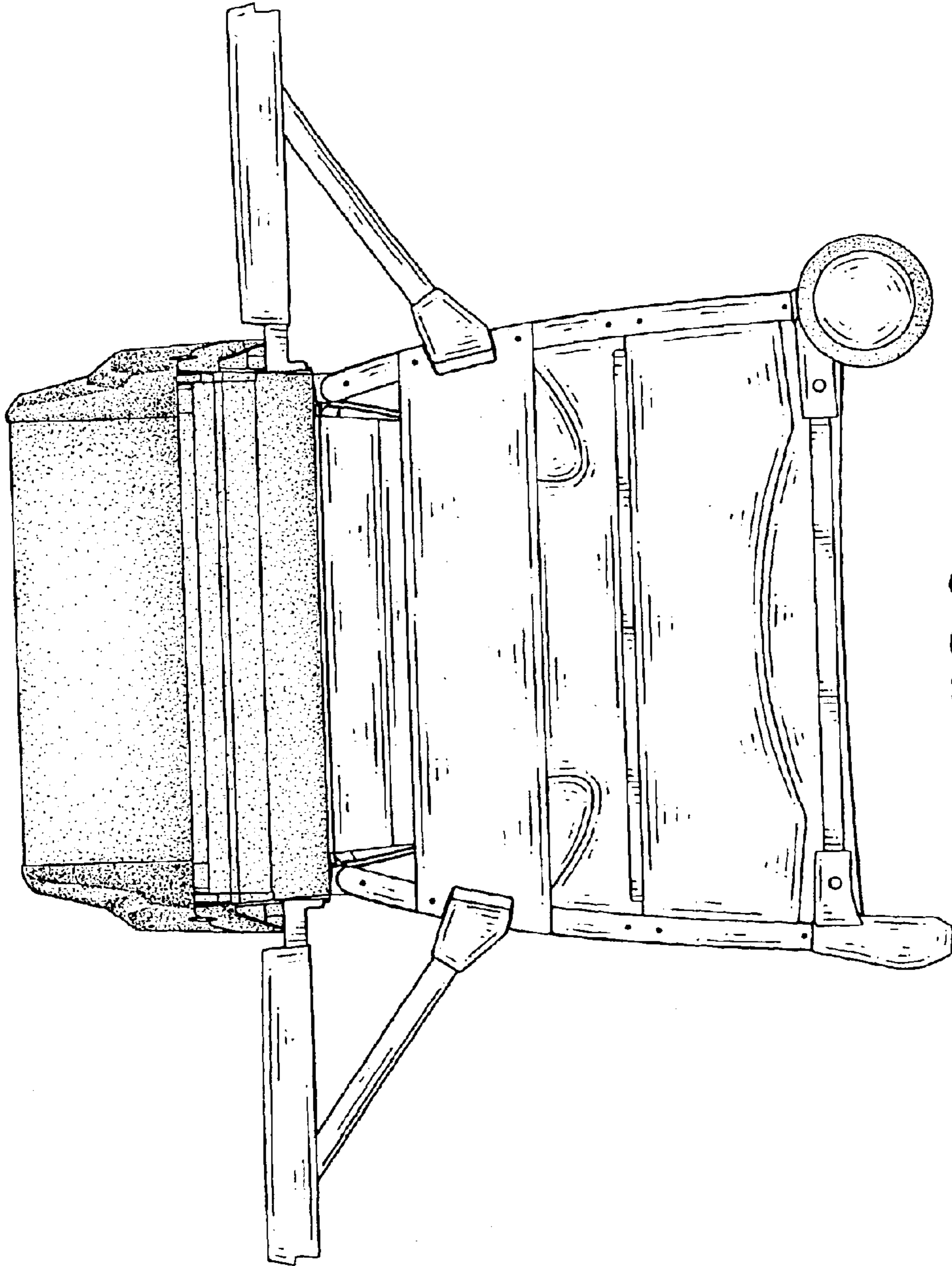


FIG.3

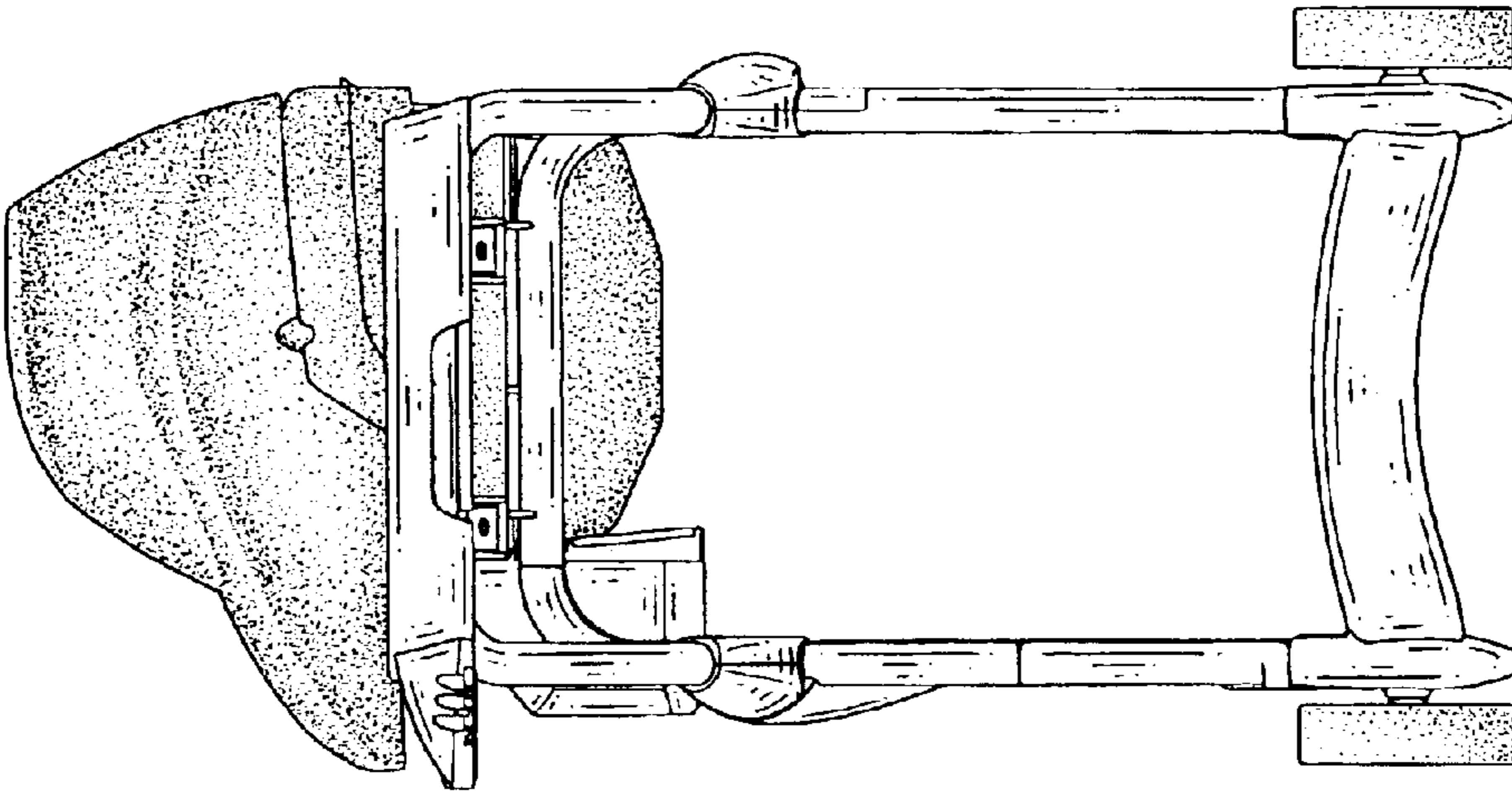


FIG. 5

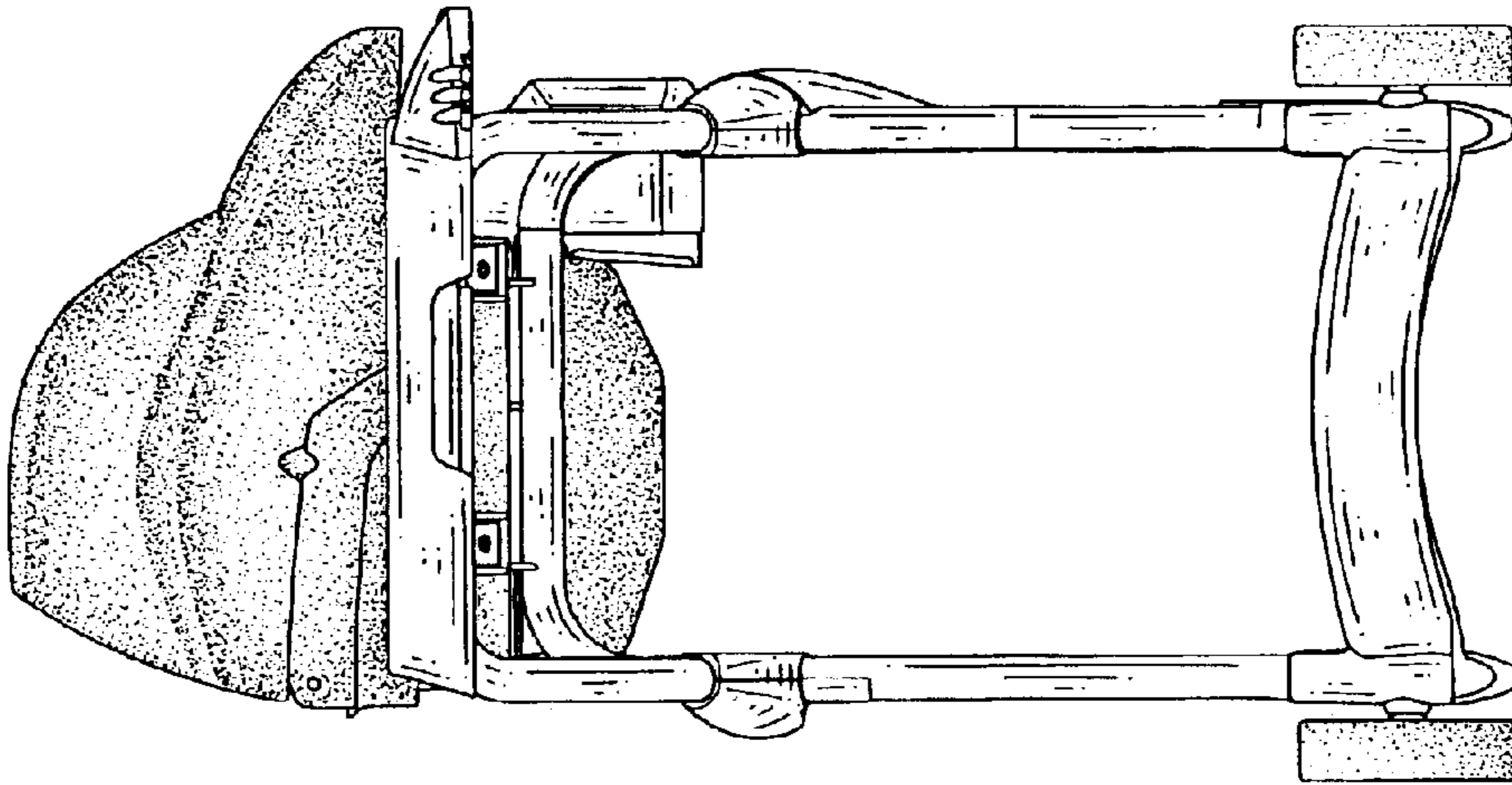


FIG. 4

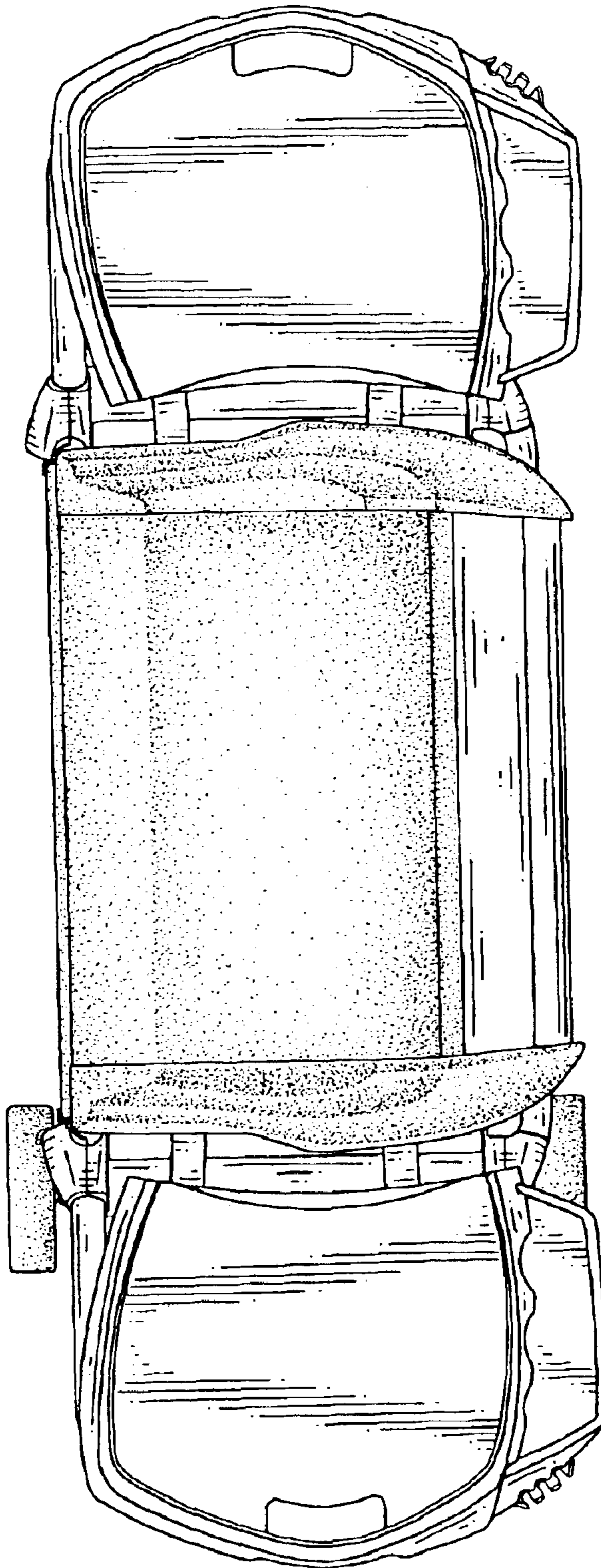


FIG.6

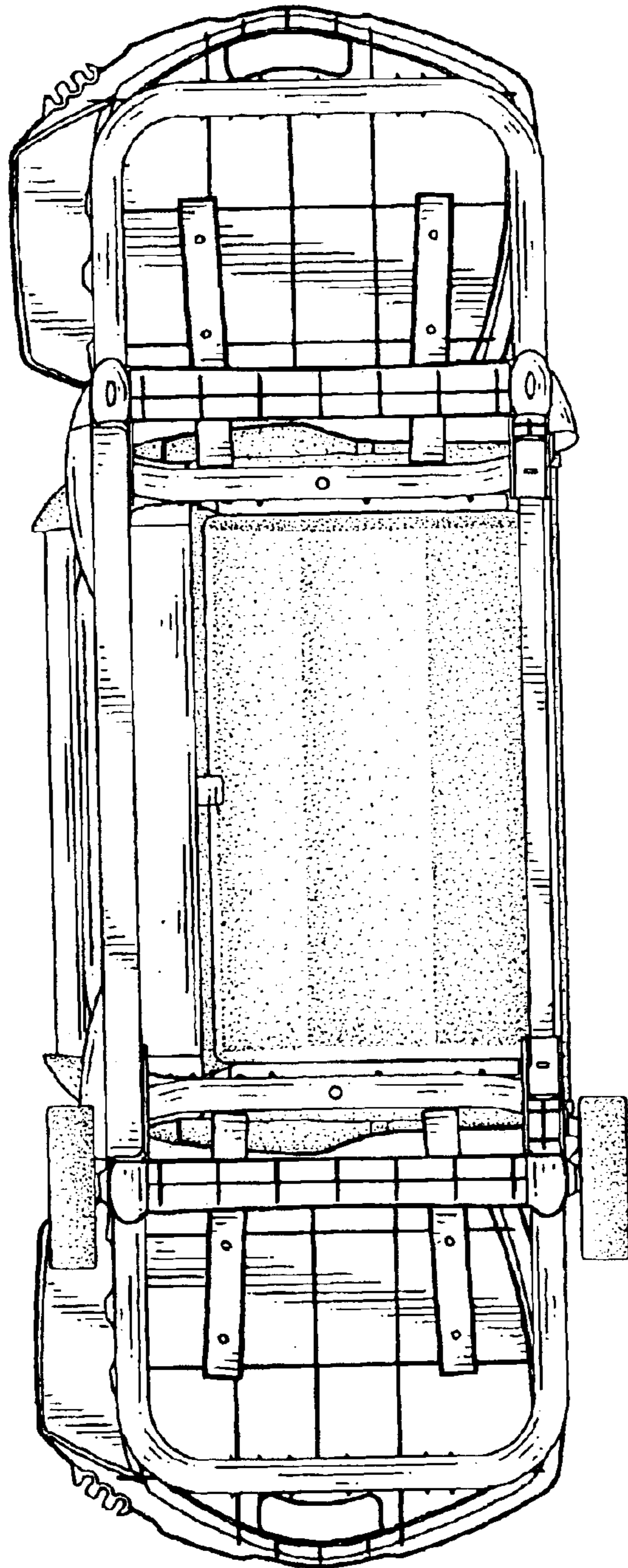


FIG.7