



US00D490641S

(12) **United States Design Patent**
Lebowitz

(10) **Patent No.: US D490,641 S**

(45) **Date of Patent: ** Jun. 1, 2004**

(54) **TEA KETTLE**

(75) **Inventor: Samuel Lebowitz, Shelter Island, NY (US)**

(73) **Assignee: Wilton Industries, Inc., Woodridge, IL (US)**

(**) **Term: 14 Years**

(21) **Appl. No.: 29/171,156**

(22) **Filed: Nov. 18, 2002**

(51) **LOC (7) Cl. 07-01**

(52) **U.S. Cl. D7/321; D7/322; D7/312**

(58) **Field of Search D7/322, 321, 312, D7/300; 99/323.3, 279; 222/146.6**

(56) **References Cited**

U.S. PATENT DOCUMENTS

D274,595 S	*	7/1984	Lebowitz	D7/322
D282,810 S	*	3/1986	Urich	D7/322
D336,006 S	*	6/1993	Lebowitz	D7/322
D336,013 S		6/1993	Lebowitz		

D342,640 S		12/1993	Lebowitz		
D380,337 S	*	7/1997	Lien	D7/322
D407,943 S	*	4/1999	Chen	D7/322
D435,997 S	*	1/2001	Leo et al.	D7/322
D478,243 S	*	8/2003	Lebowitz	D7/322
D478,767 S	*	8/2003	Lebowitz	D7/322
D478,768 S	*	8/2003	Belton	D7/322

* cited by examiner

Primary Examiner—M. N. Pandozzi

(74) *Attorney, Agent, or Firm*—Piper Rudnick LLP

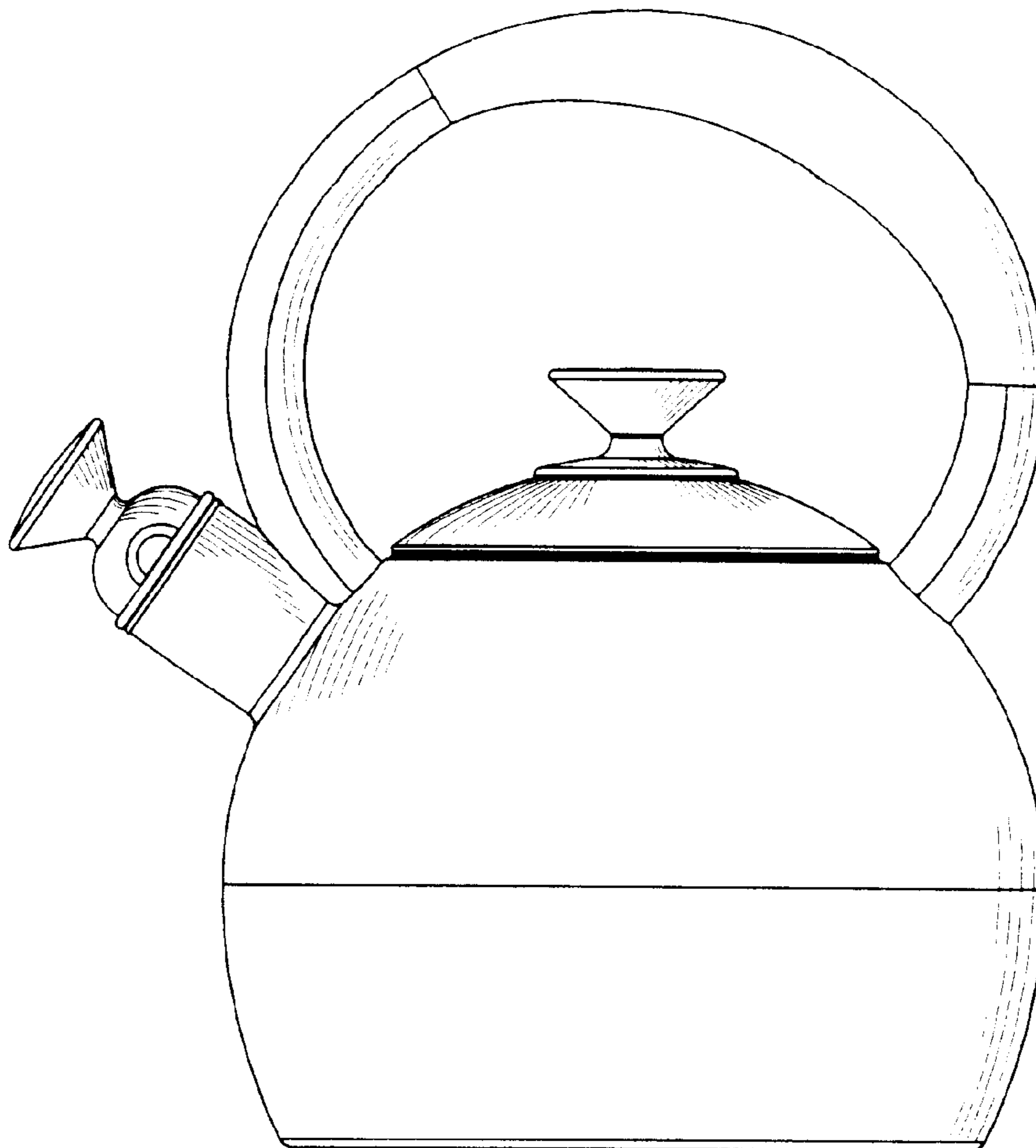
(57) **CLAIM**

The ornamental design for the tea kettle, as shown.

DESCRIPTION

FIG. 1 is a front perspective view of the tea kettle; FIG. 2 is a front elevational view of the tea kettle; FIG. 3 is a back elevational view of the tea kettle; FIG. 4 is a right side elevational view of the tea kettle; FIG. 5 is a left side elevational view of the tea kettle; FIG. 6 is a top plan view of the tea kettle; and, FIG. 7 is a bottom plan view of the tea kettle.

1 Claim, 4 Drawing Sheets



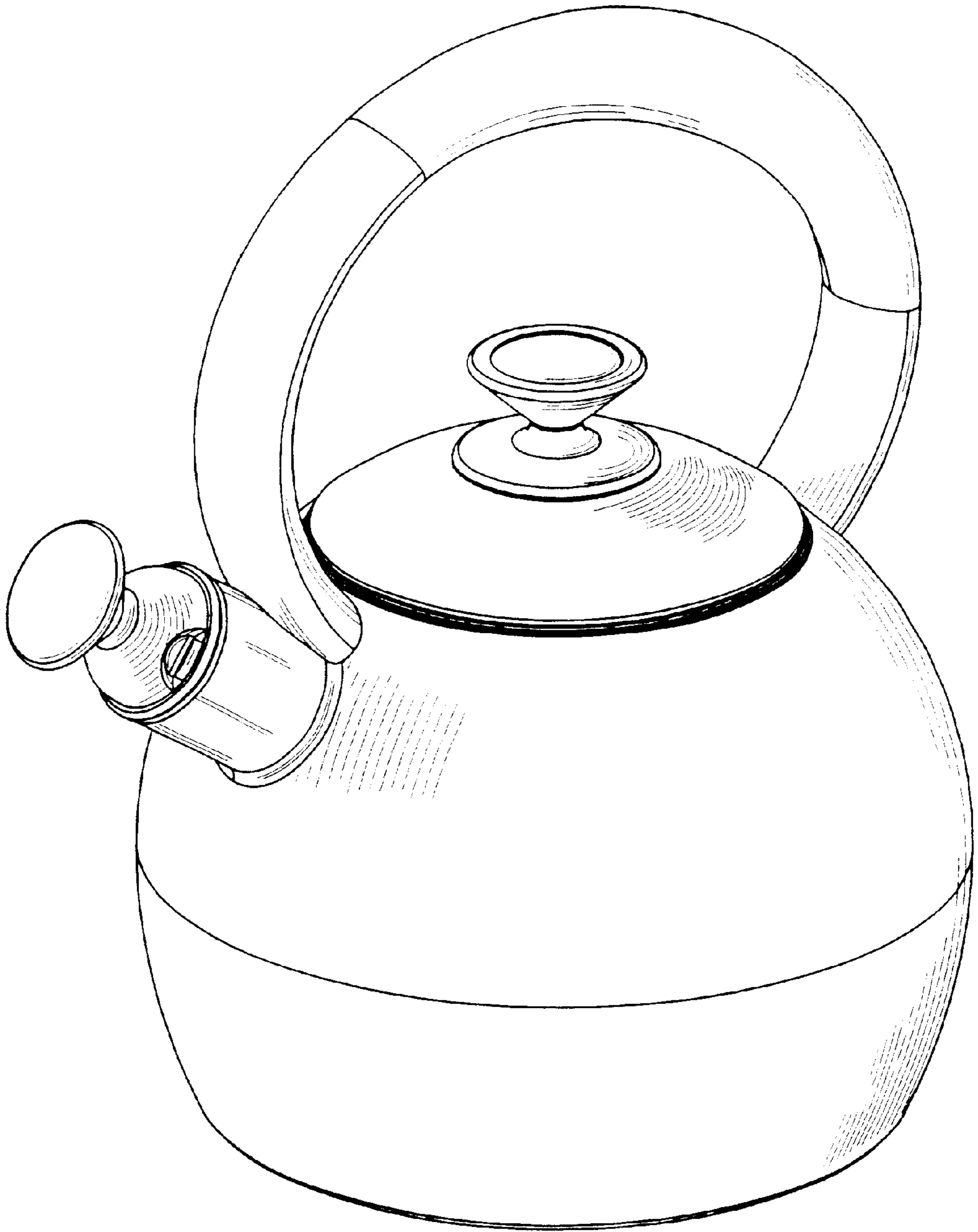


FIG. 1

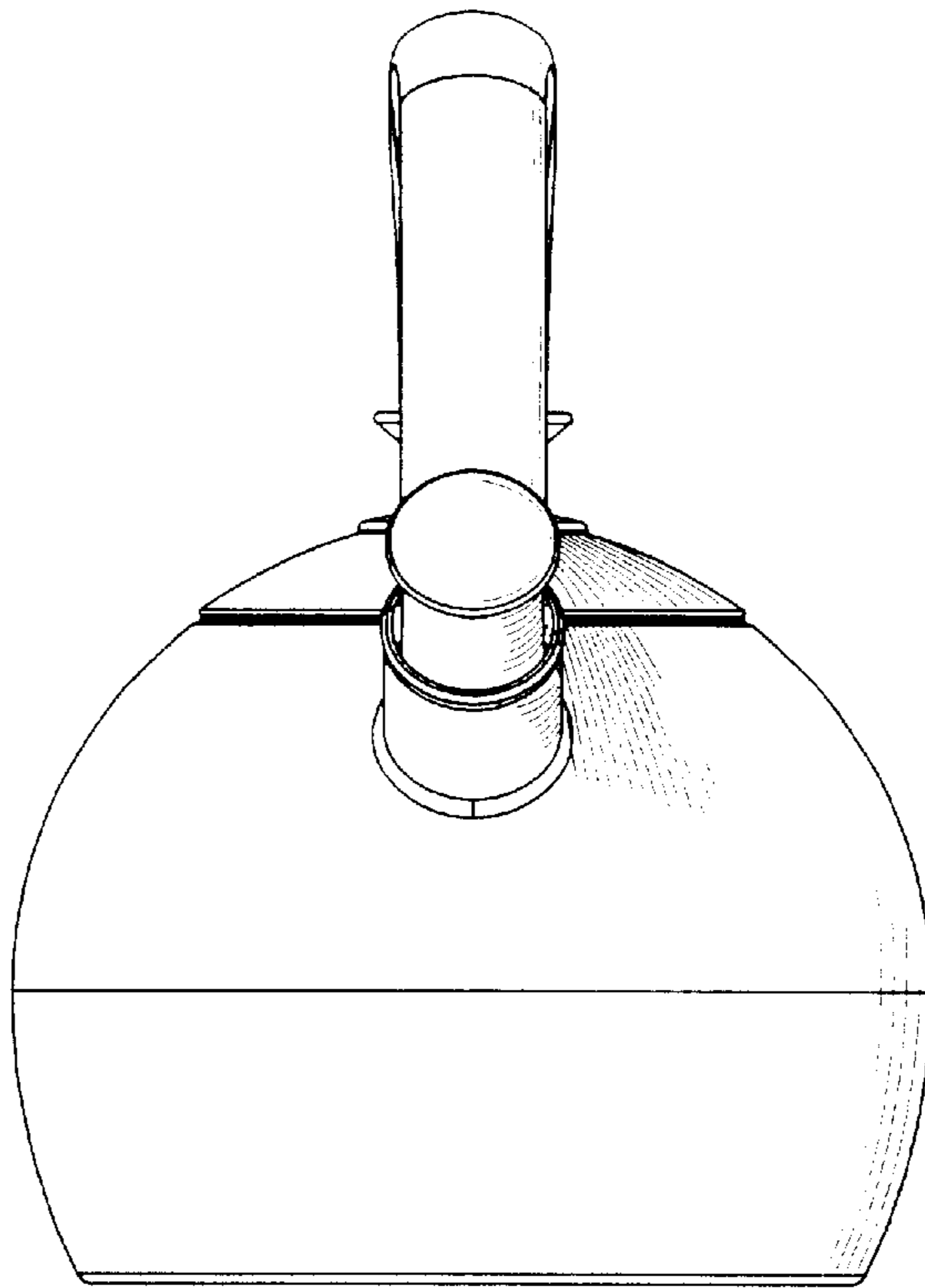


FIG. 2

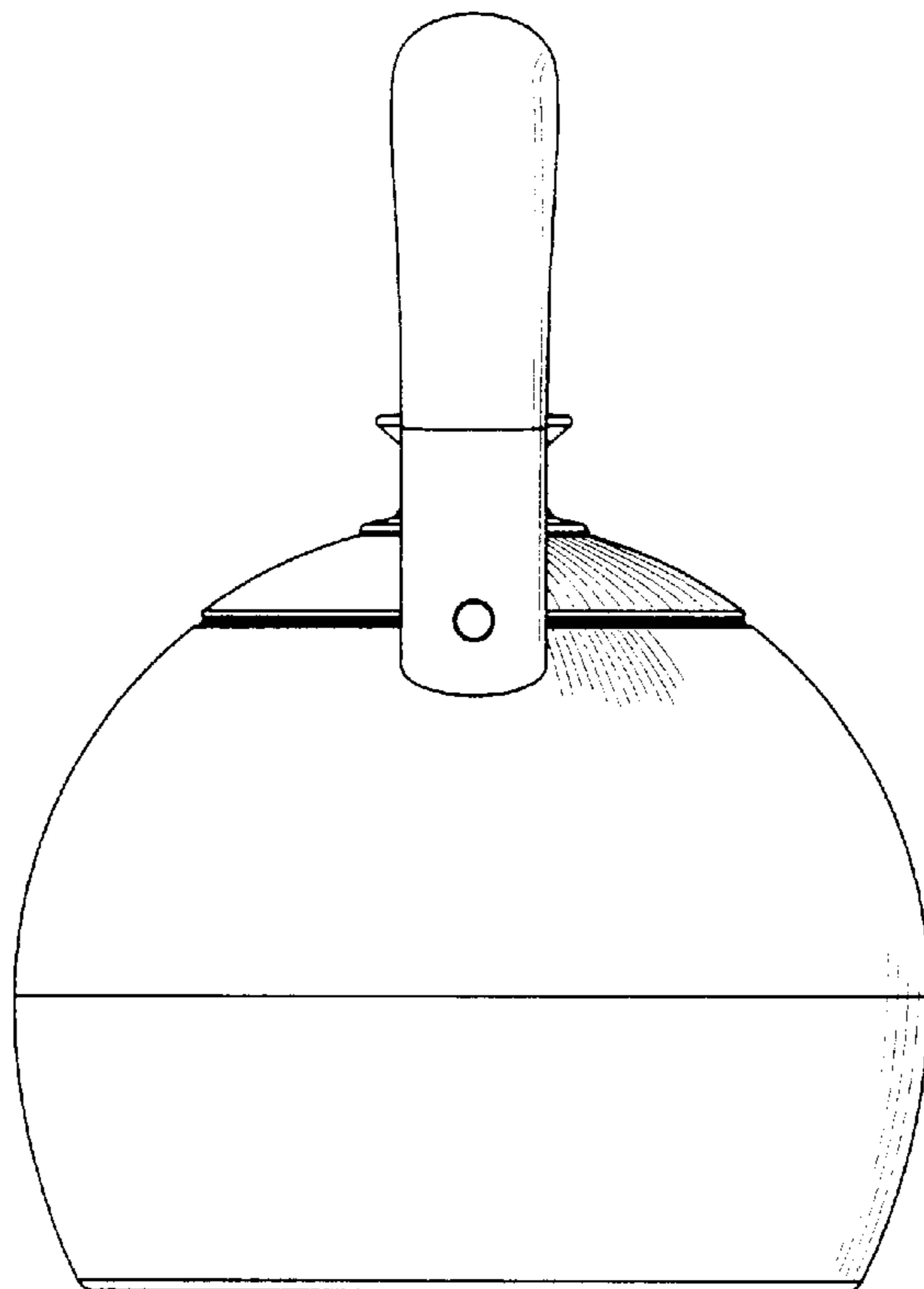


FIG. 3

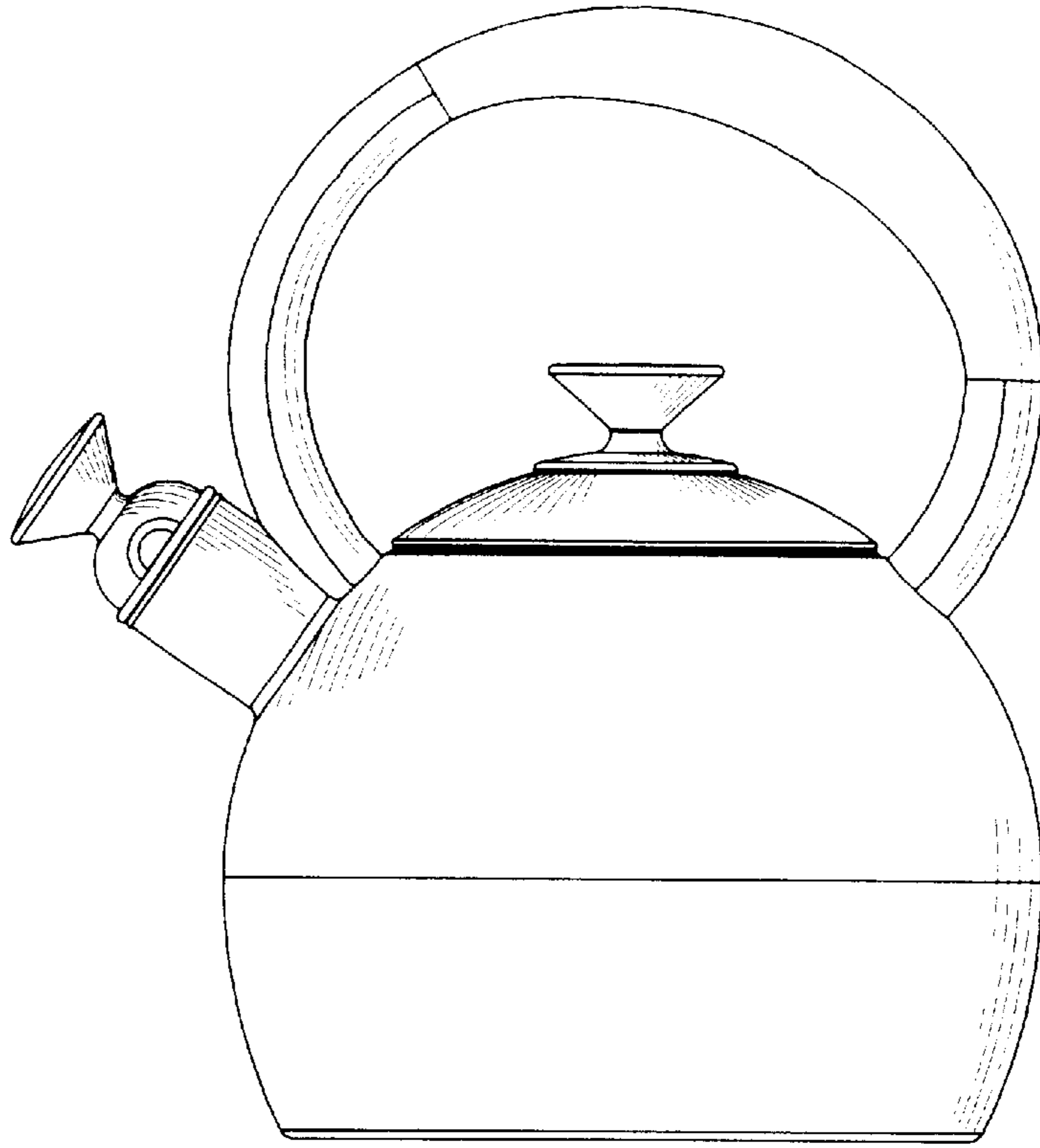


FIG. 4

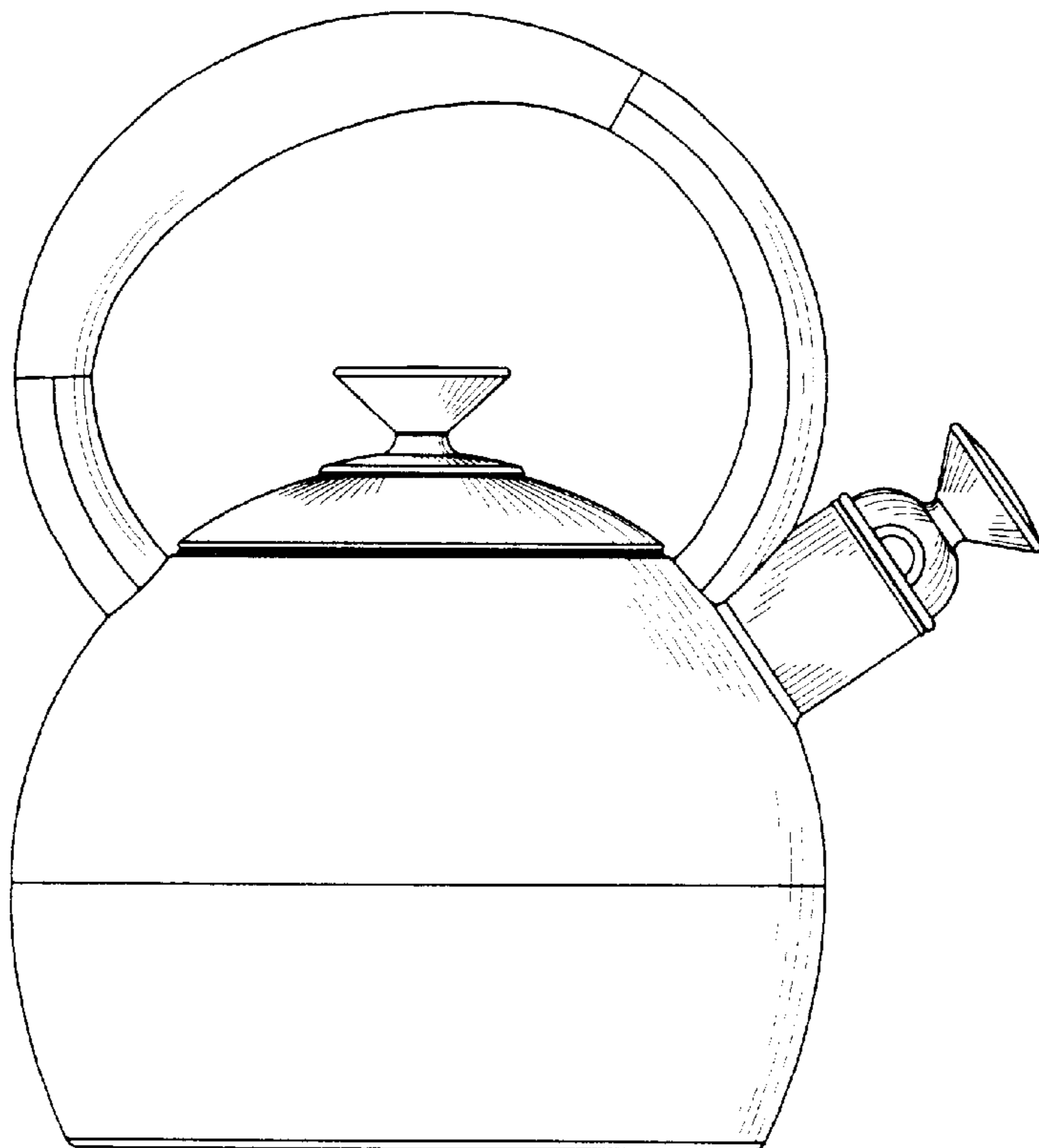


FIG. 5

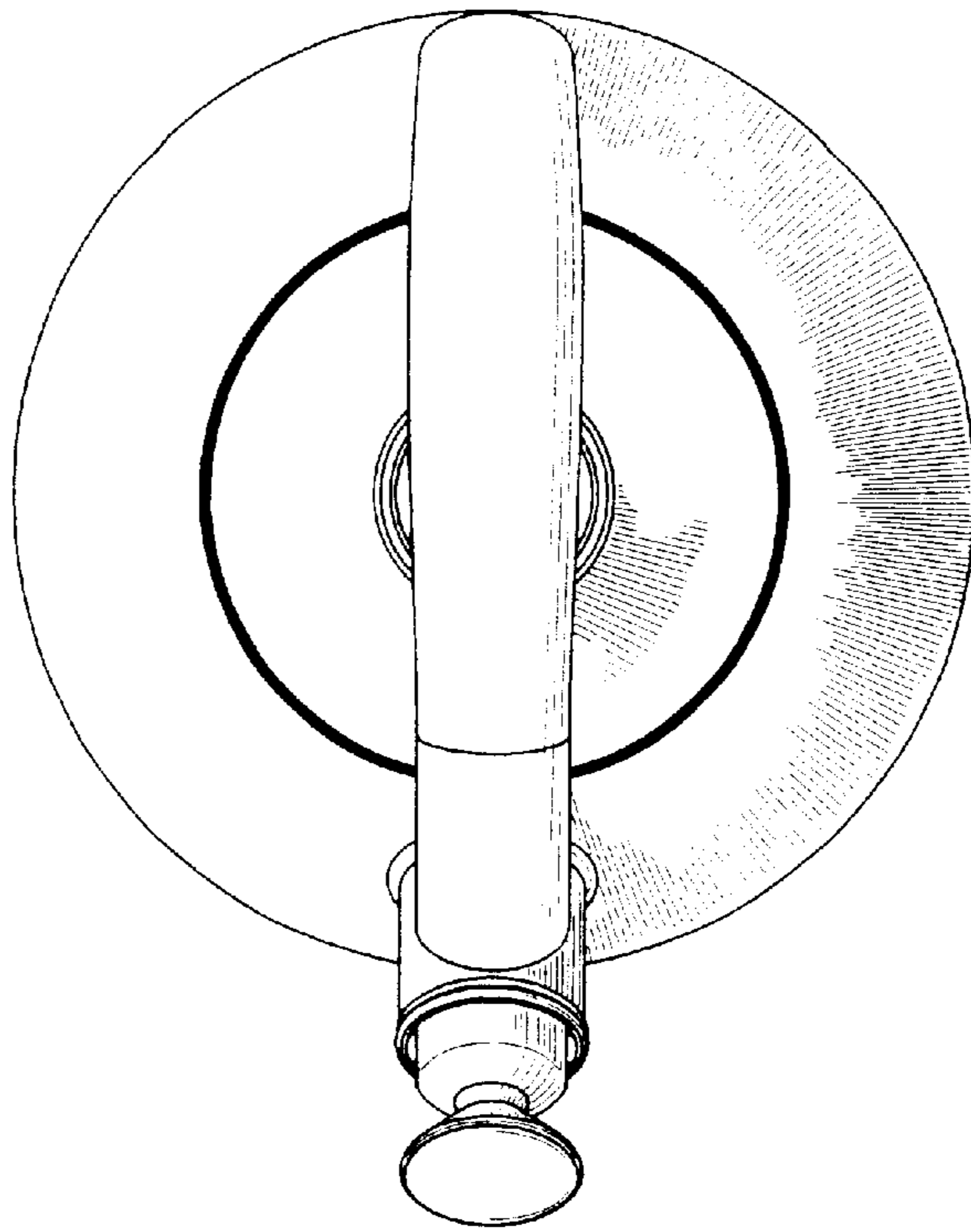


FIG. 6

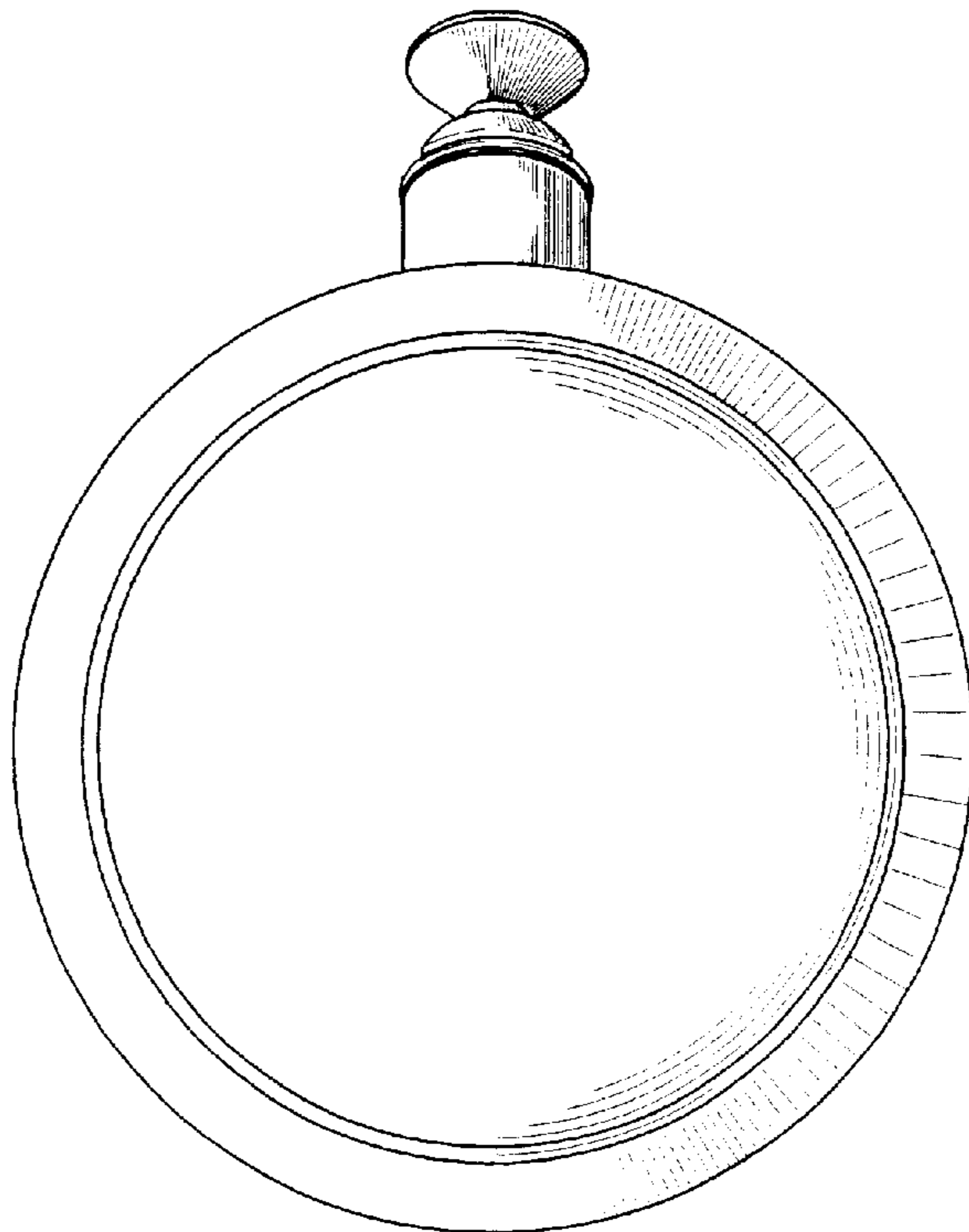


FIG. 7