



US00D490633S

(12) **United States Design Patent**
Kondoh et al.

(10) **Patent No.:** **US D490,633 S**

(45) **Date of Patent:** **** Jun. 1, 2004**

(54) **PACKAGE FOR DISPENSING SHEETS**

FOREIGN PATENT DOCUMENTS

(75) Inventors: **Kazunori Kondoh**, Tokyo (JP); **Hiroto H. Katagiri**, Tokyo (JP); **Gene H. Shipman**, St. Paul, MN (US)

JP 58-74894 5/1983
WO WO 99/29220 6/1999

OTHER PUBLICATIONS

(73) Assignee: **3M Innovative Properties Company**, St. Paul, MN (US)

U.S. patent application Ser. No. 09/566,308.

(**) Term: **14 Years**

* cited by examiner

(21) Appl. No.: **29/154,497**

Primary Examiner—Brian N. Vinson

(22) Filed: **Jan. 23, 2002**

(74) *Attorney, Agent, or Firm*—Gary L. Griswold; Robert W. Sprague; William J. Bond

(57) **CLAIM**

Related U.S. Application Data

The ornamental design for a package for dispensing sheets, as shown and described.

(62) Division of application No. 09/585,649, filed on Jun. 1, 2000, now Pat. No. 6,454,096.

DESCRIPTION

(51) **LOC (7) Cl.** **20-02**

(52) **U.S. Cl.** **D6/518**

(58) **Field of Search** D6/515–518; 206/494, 206/37, 39

FIG. 1 is a perspective view of the design for the article that dispenses sheets, shown in an open position. The speckled shading in the center of the cover represents an adhesive; the broken lines showing indicate that it is not part of the present design.

(56) **References Cited**

U.S. PATENT DOCUMENTS

1,205,892 A	11/1916	Hecht	
2,032,150 A	2/1936	Richardson	
2,269,525 A	1/1942	Fleischer	
2,341,794 A	2/1944	Kliwer	
2,885,112 A	5/1959	Willat	
4,574,952 A	3/1986	Masui	206/494
4,726,989 A	2/1988	Mrozinski	428/315.5
4,739,902 A	4/1988	Joslyn et al.	428/315.5
5,046,640 A	9/1991	Carroll	221/213
D331,075 S	* 11/1992	Dotterman et al.	D19/86
5,184,725 A	2/1993	Reinheimer et al.	206/494
6,012,572 A	* 1/2000	Heathcock et al.	206/494 X

FIG. 2 is a perspective view of the design for the article that dispenses sheets shown in a closed position.

FIG. 3 is a top view thereof.

FIG. 4 is a bottom view thereof. The D-shape in the center representing a tab that includes a living hinge. The broken lines showing indicate that it is not part of the present design.

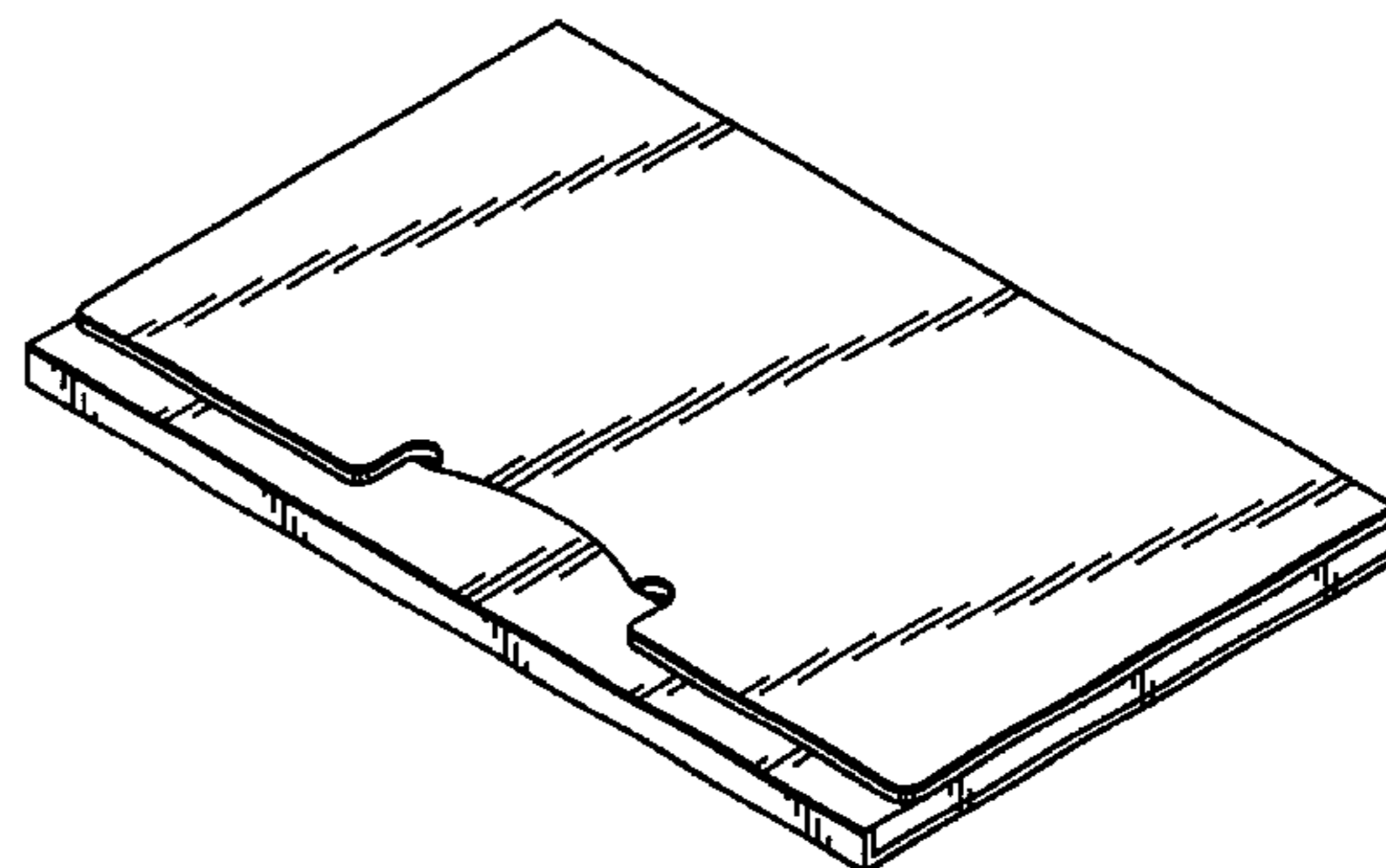
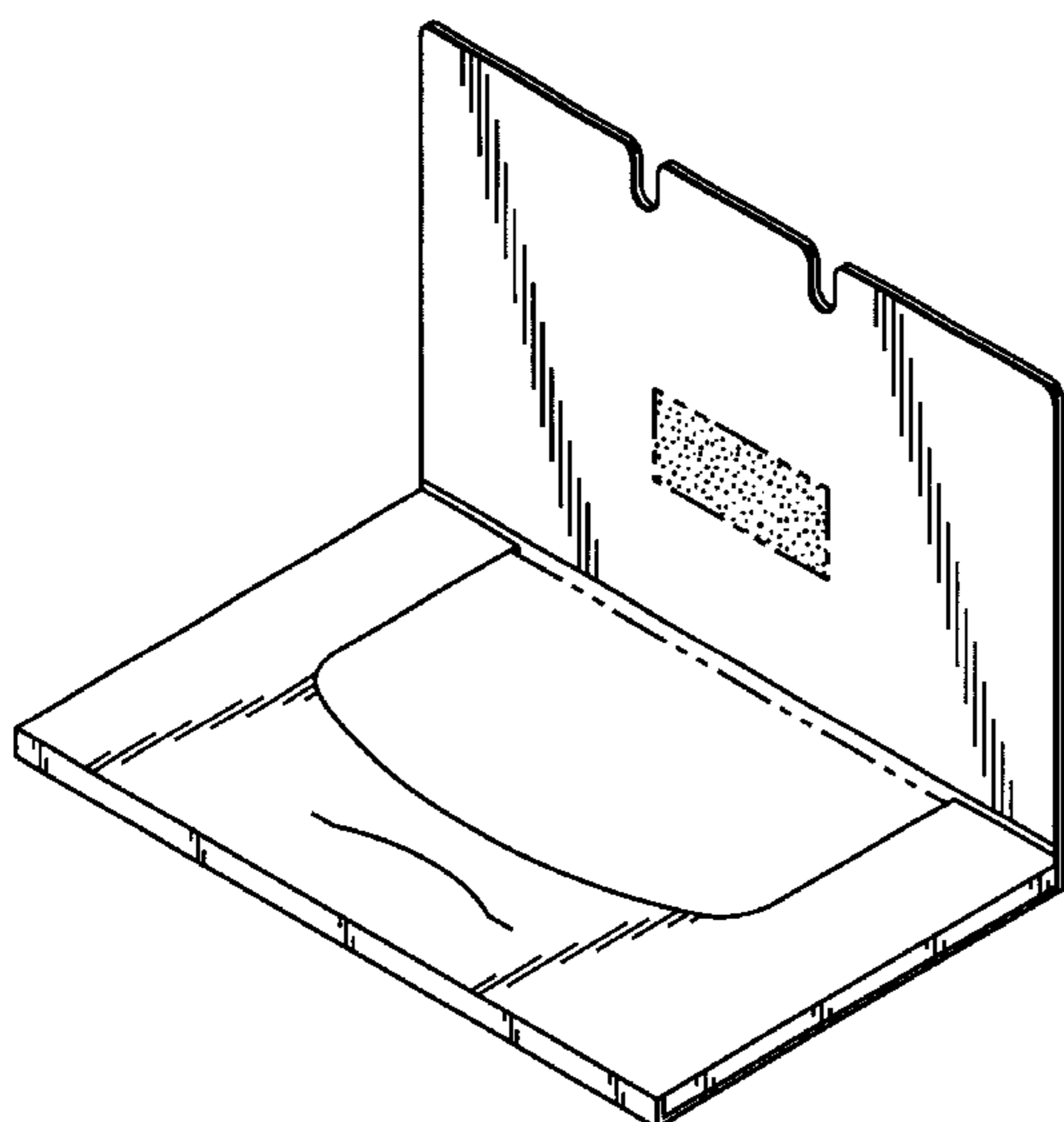
FIG. 5 is a front side view thereof.

FIG. 6 is a back side view thereof; and,

FIG. 7 is a right side view thereof, the left side view being a mirror image thereof.

The shading shown in the drawings is provided merely to show contour and is not indicative of texture.

1 Claim, 2 Drawing Sheets



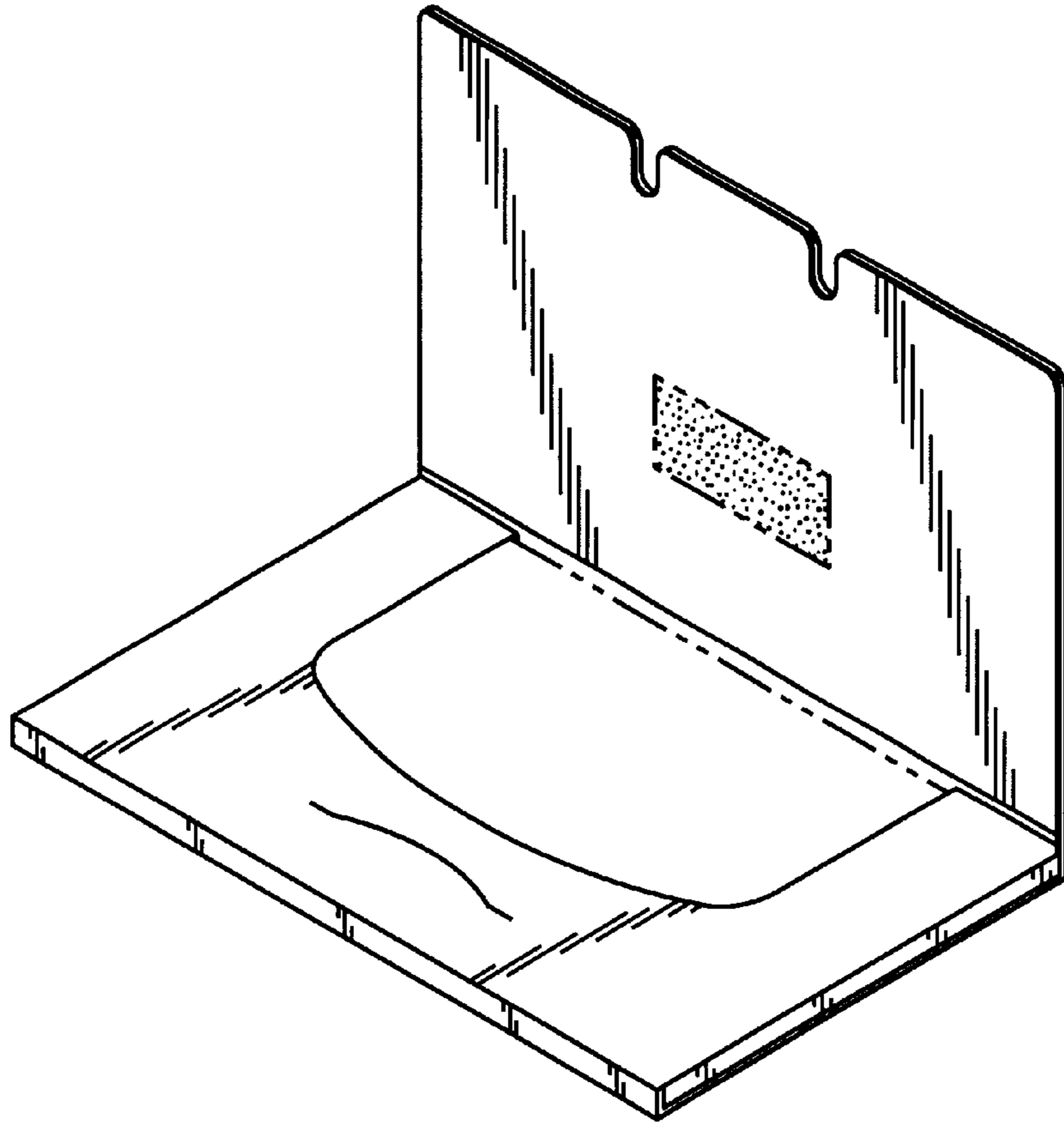


Fig. 1

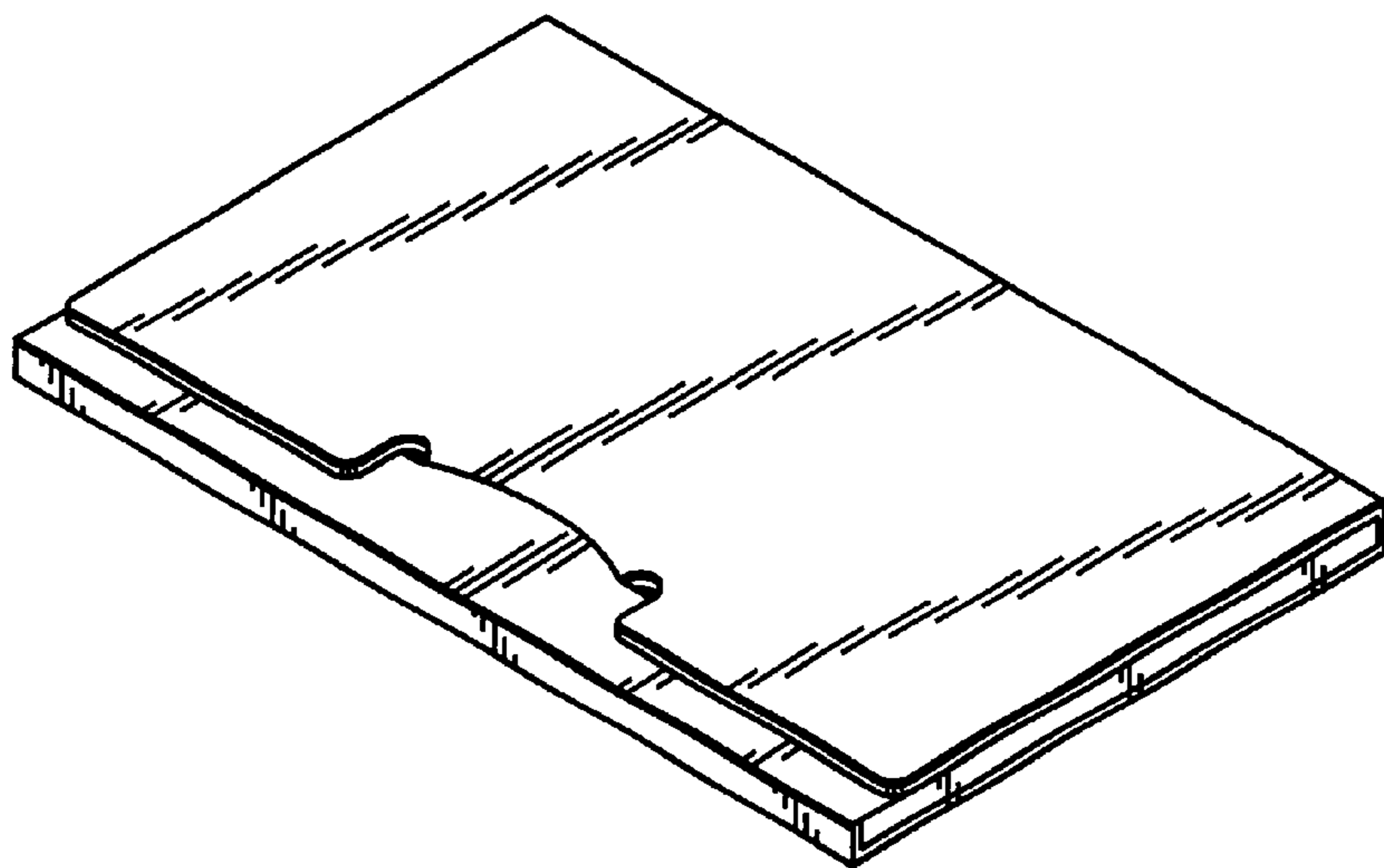


Fig. 2

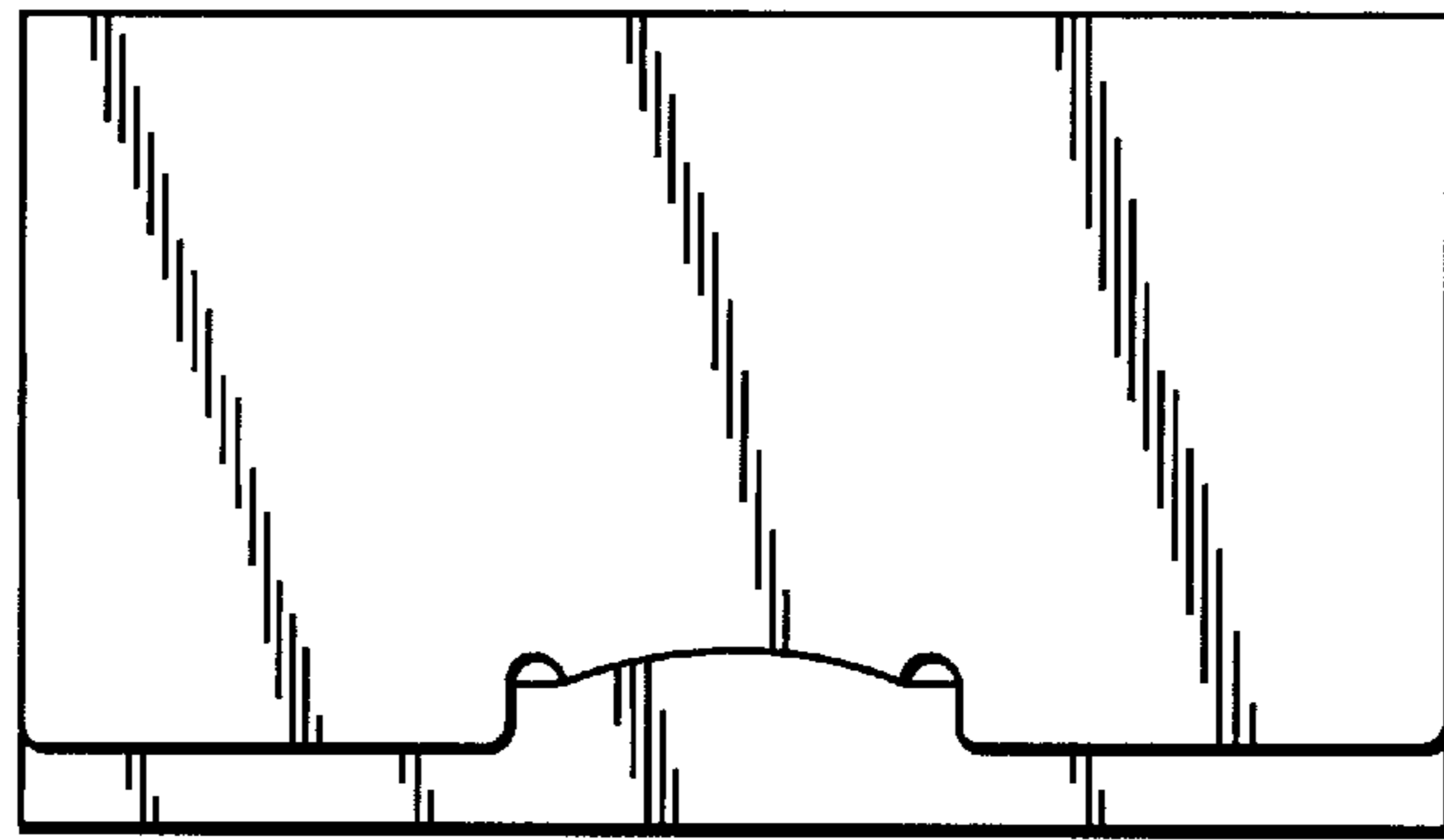


Fig. 3

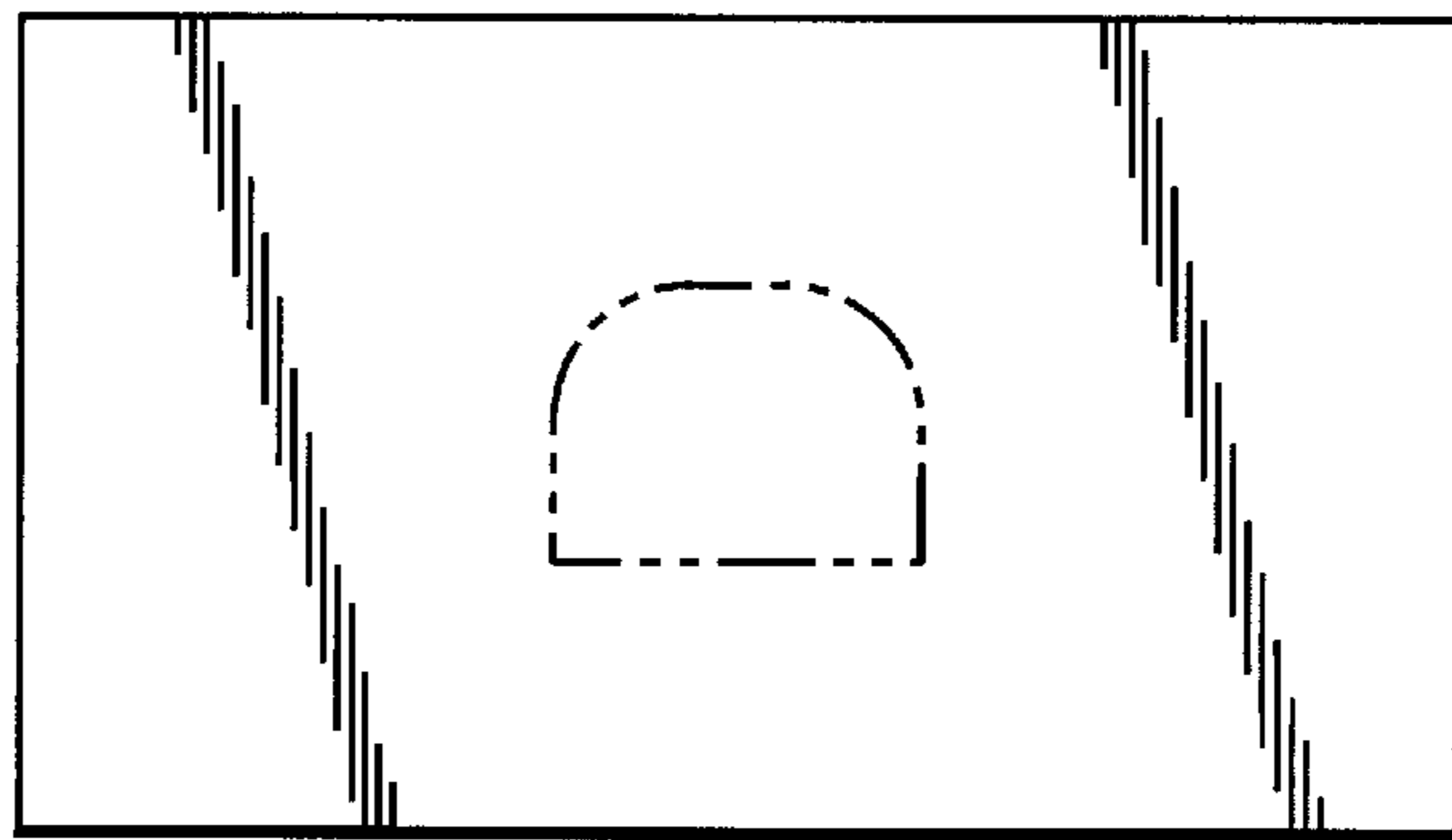


Fig. 4



Fig. 5

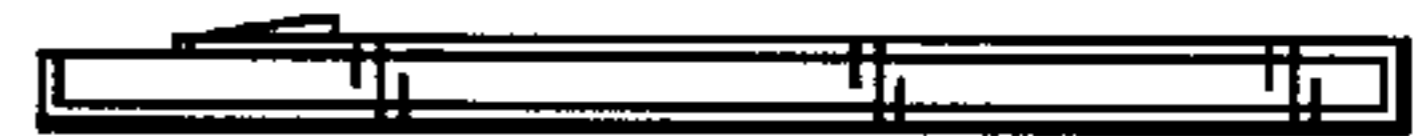


Fig. 7



Fig. 6