



US00D490631S

(12) **United States Design Patent**  
**Risdon et al.**

(10) **Patent No.:** **US D490,631 S**  
(45) **Date of Patent:** **\*\* Jun. 1, 2004**

(54) **FURNITURE FOOT**

(75) Inventors: **Scott M. Risdon**, Greensboro, NC (US); **Timothy M. O'Hare**, Oak Ridge, NC (US)

(73) Assignee: **LADD Furniture, Inc.**, Greensboro, NC (US)

(\*\*) Term: **14 Years**

(21) Appl. No.: **29/177,457**

(22) Filed: **Mar. 11, 2003**

(51) **LOC (7) Cl.** ..... **06-06**

(52) **U.S. Cl.** ..... **D6/495**

(58) **Field of Search** ..... D6/382-384, 388, D6/389, 392-395, 503, 505-508, 491, 495, 497, 446, 470, 428, 429; 5/53.1, 279.1, 280, 281, 907; D25/137; 248/188, 188.1, 188.8

(56) **References Cited**

**U.S. PATENT DOCUMENTS**

D441,220 S	*	5/2001	Vaaler	.....	D6/446
D448,586 S	*	10/2001	OaHare et al.	.....	D6/446
D470,680 S	*	2/2003	Risdon	.....	D6/389
D471,732 S	*	3/2003	Warren et al.	.....	D6/393
D473,064 S	*	4/2003	OHare	.....	D6/389

\* cited by examiner

*Primary Examiner*—Janice E. Seeger

(74) *Attorney, Agent, or Firm*—Harness, Dickey & Pierce, P.L.C.

(57) **CLAIM**

The ornamental design for the furniture foot, as shown and described.

**DESCRIPTION**

FIG. 1 is a perspective view of a furniture foot in accordance with the present invention;

FIG. 2 is a front view of the furniture foot, the back view being a mirror image thereof;

FIG. 3 is a right side view of the furniture foot, the left side view being a mirror image thereof;

FIG. 4 is a perspective view of a second embodiment of the furniture foot in accordance with the present invention;

FIG. 5 is a front view of the second embodiment of the furniture foot, the back view being a mirror image thereof;

FIG. 6 is a right side view of the second embodiment of the furniture foot, the left side view being a mirror image thereof;

FIG. 7 is a perspective view of a third embodiment of the furniture foot in accordance with the present invention;

FIG. 8 is a front view of the third embodiment of the furniture foot, the back view being a mirror image thereof;

FIG. 9 is a right side view of the third embodiment of the furniture foot, the left side view being a mirror image thereof;

FIG. 10 is a front view of the fourth embodiment of the furniture foot, the back view being a mirror image thereof;

FIG. 11 is a front view of the fourth embodiment of the furniture foot, the back view being a mirror image thereof;

FIG. 12 is a right side view of the fourth embodiment of the furniture foot, the left side view being a mirror image thereof;

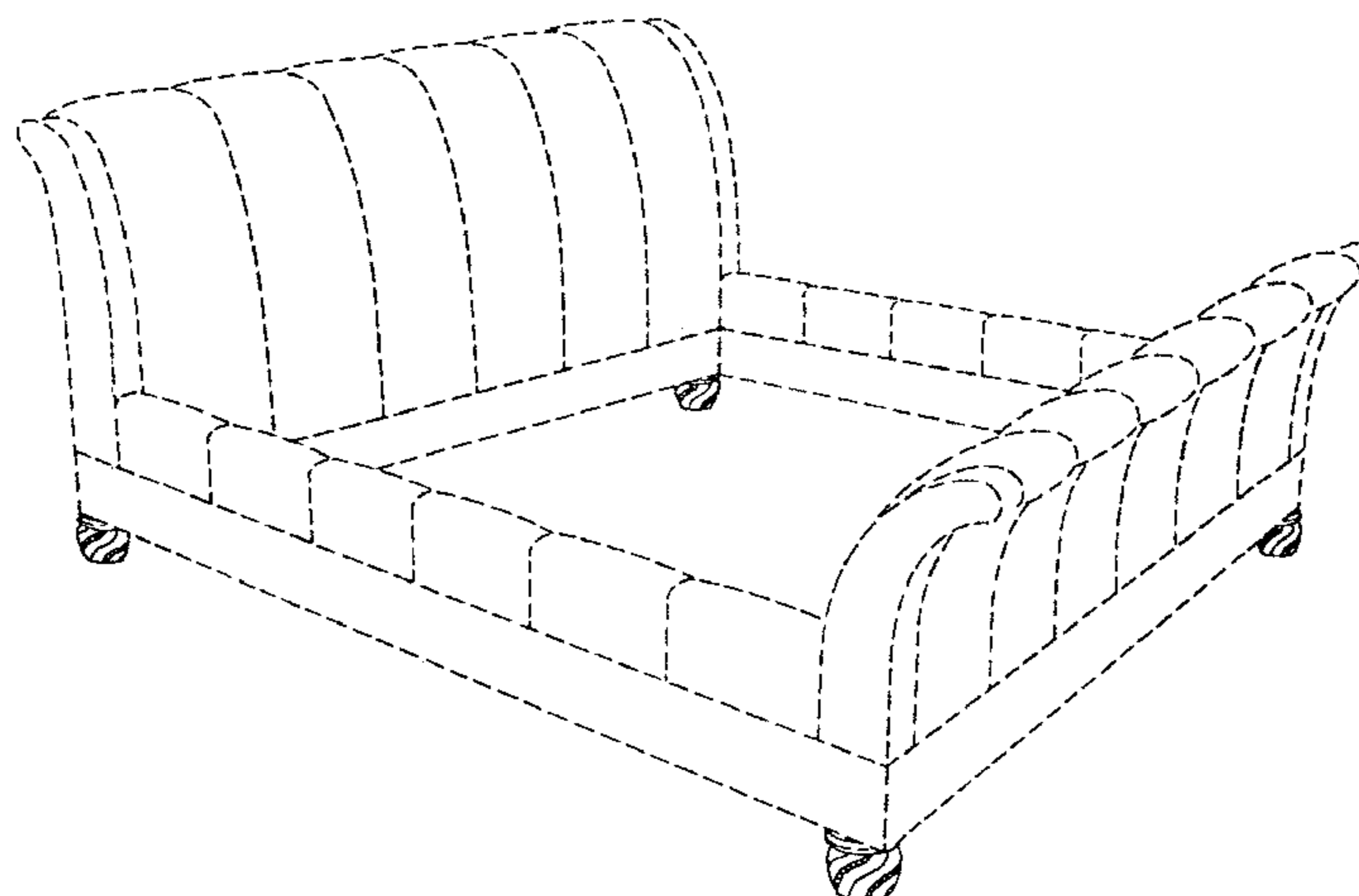
FIG. 13 is a perspective view of a fifth embodiment of the furniture foot in accordance with the present invention;

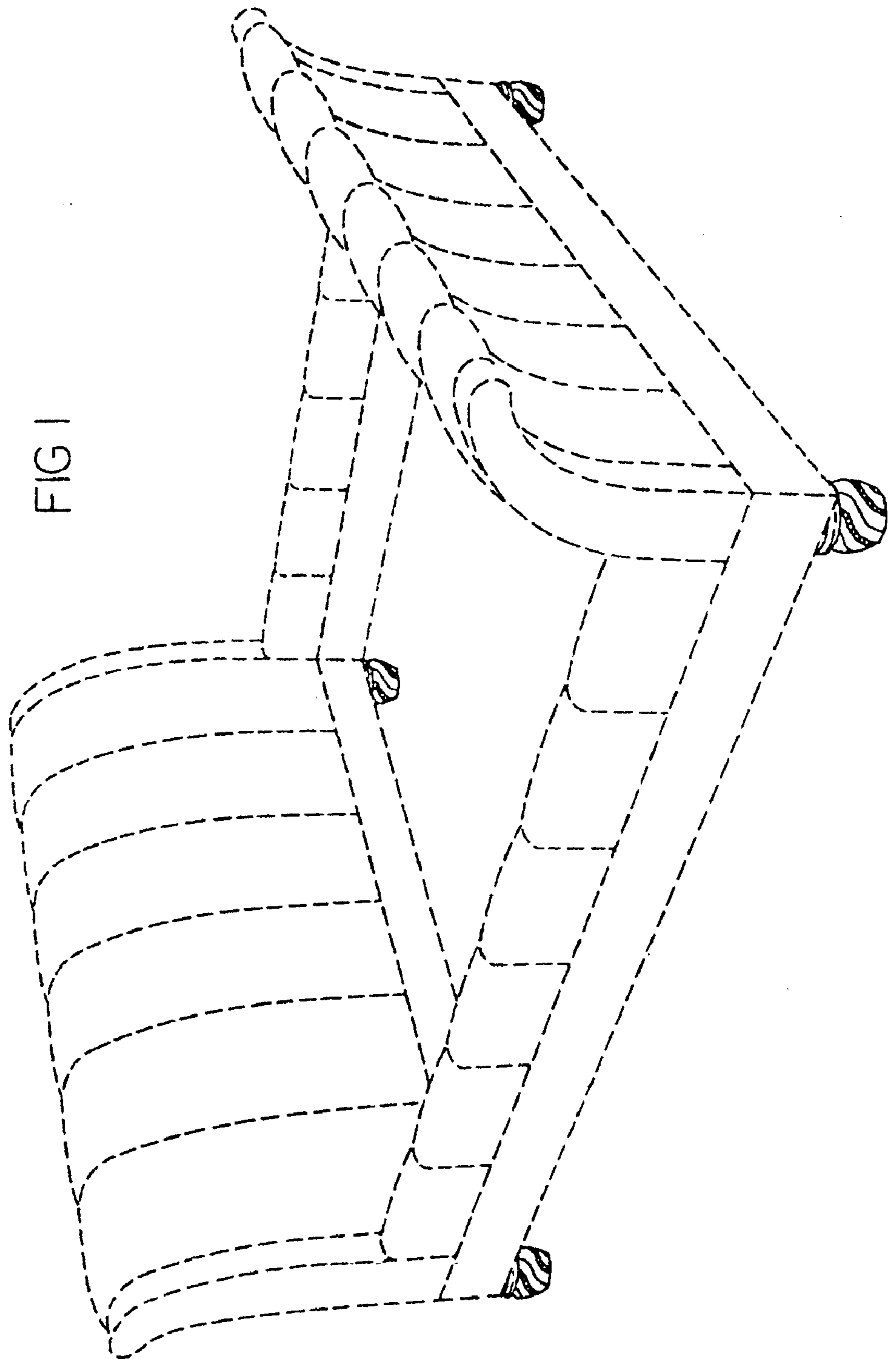
FIG. 14 is a front view of the fifth embodiment of the furniture foot, the back view being a mirror image thereof; and,

FIG. 15 is a right side view of the fifth embodiment of the furniture foot, the left side view being a mirror image thereof.

The various pieces of furniture, as shown in broken lines in the drawings, are included to disclose the environment related to the claimed design but form no part of the present invention.

**1 Claim, 15 Drawing Sheets**





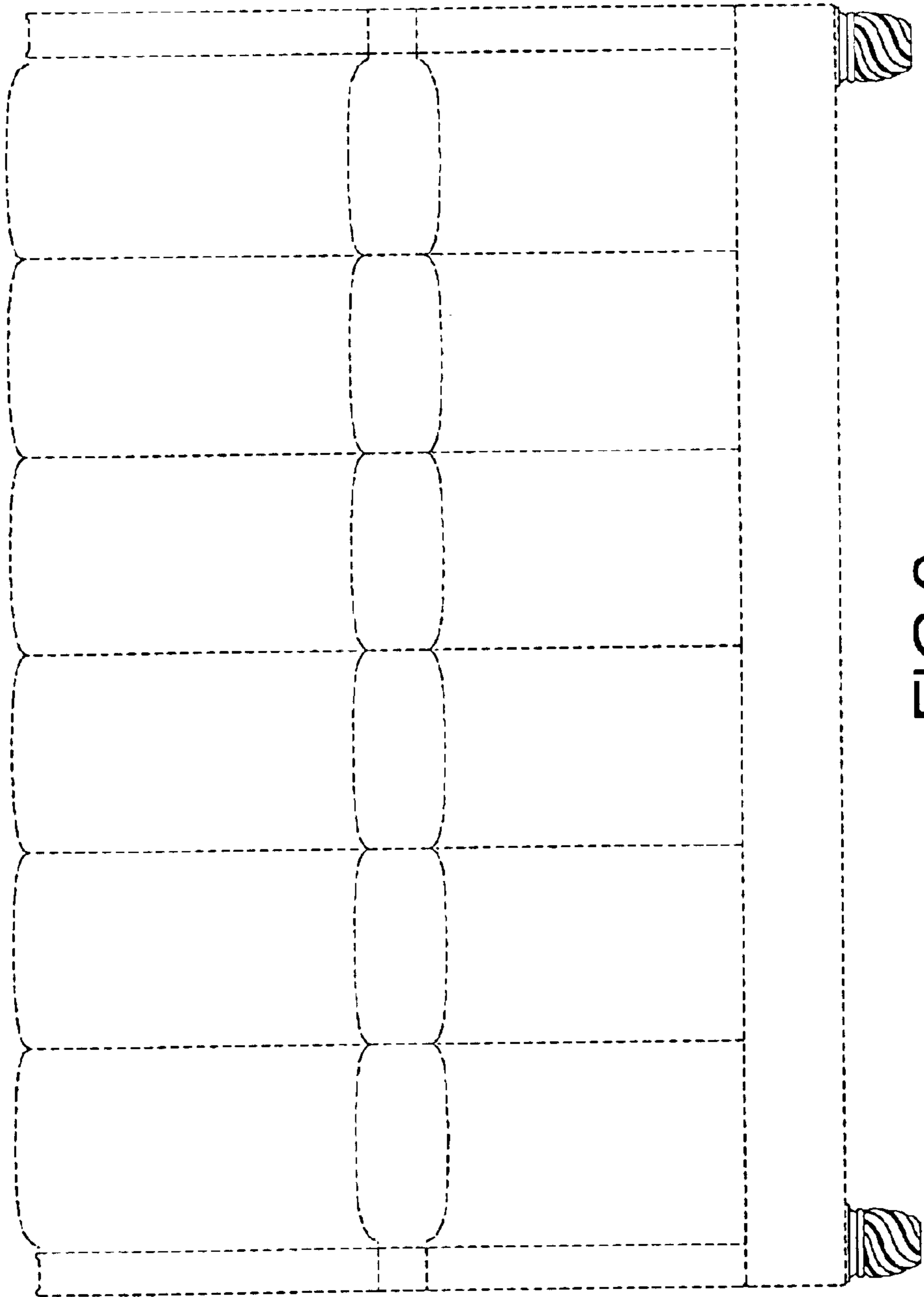


FIG 2

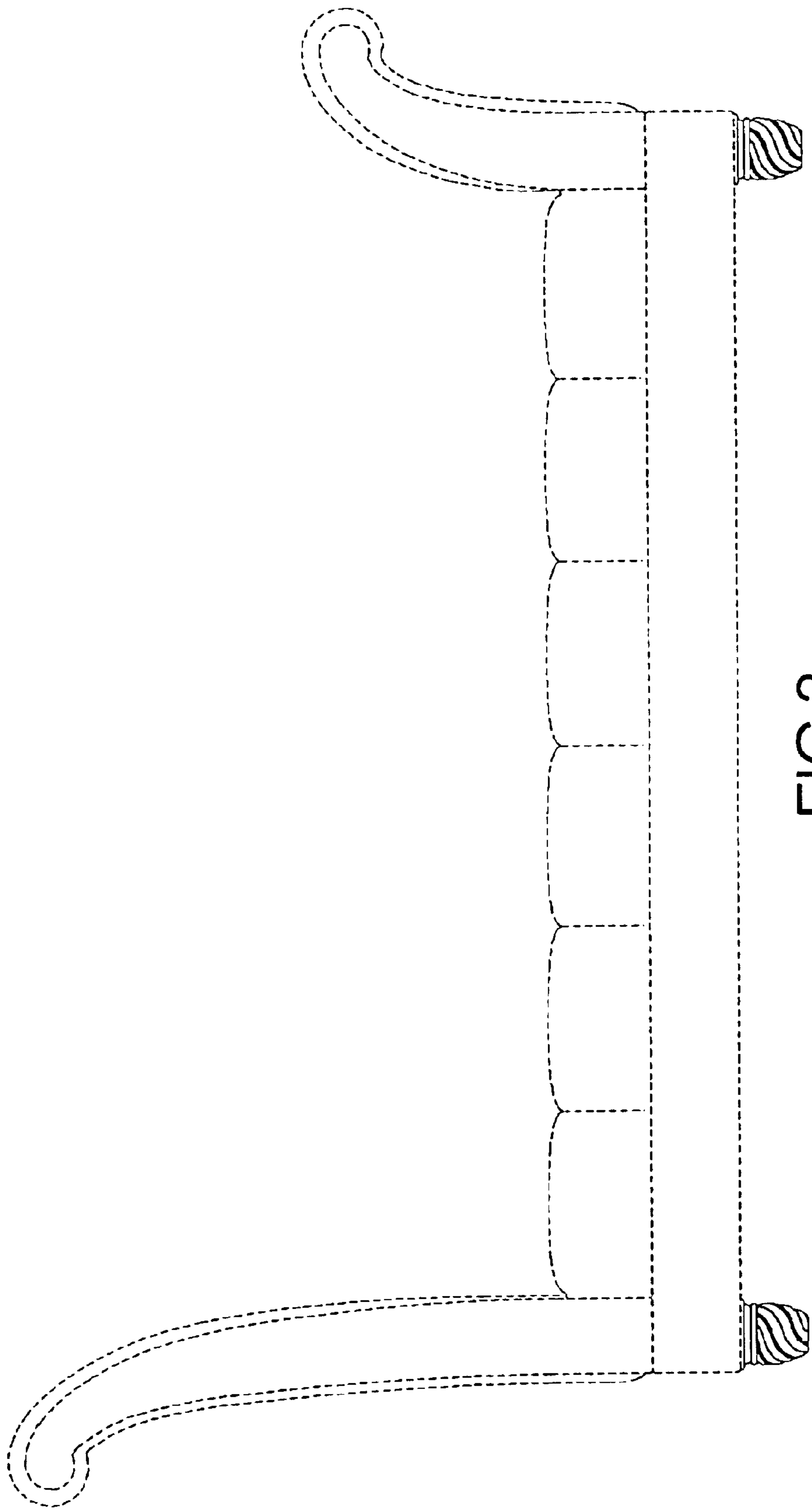


FIG 3

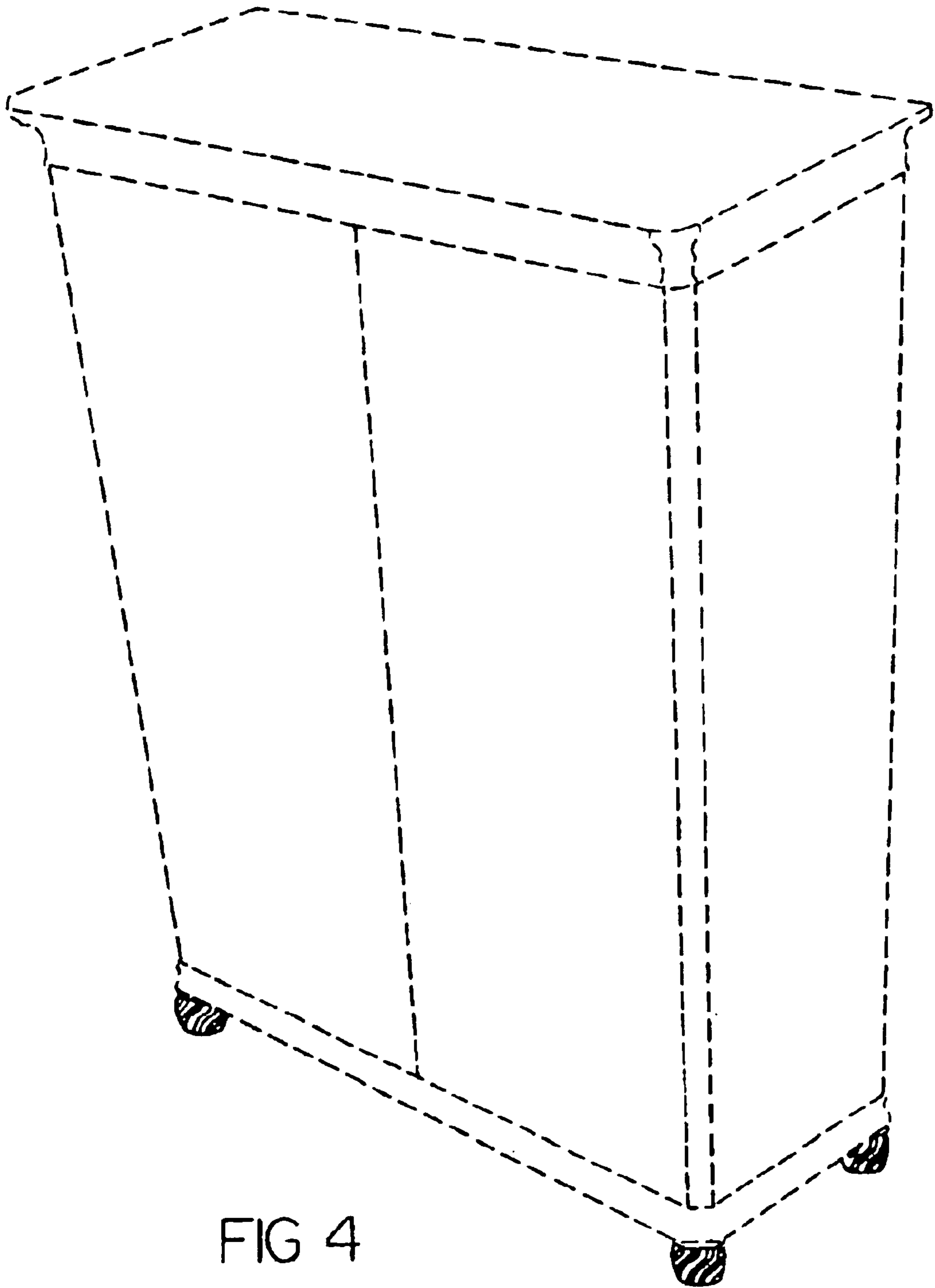


FIG 4

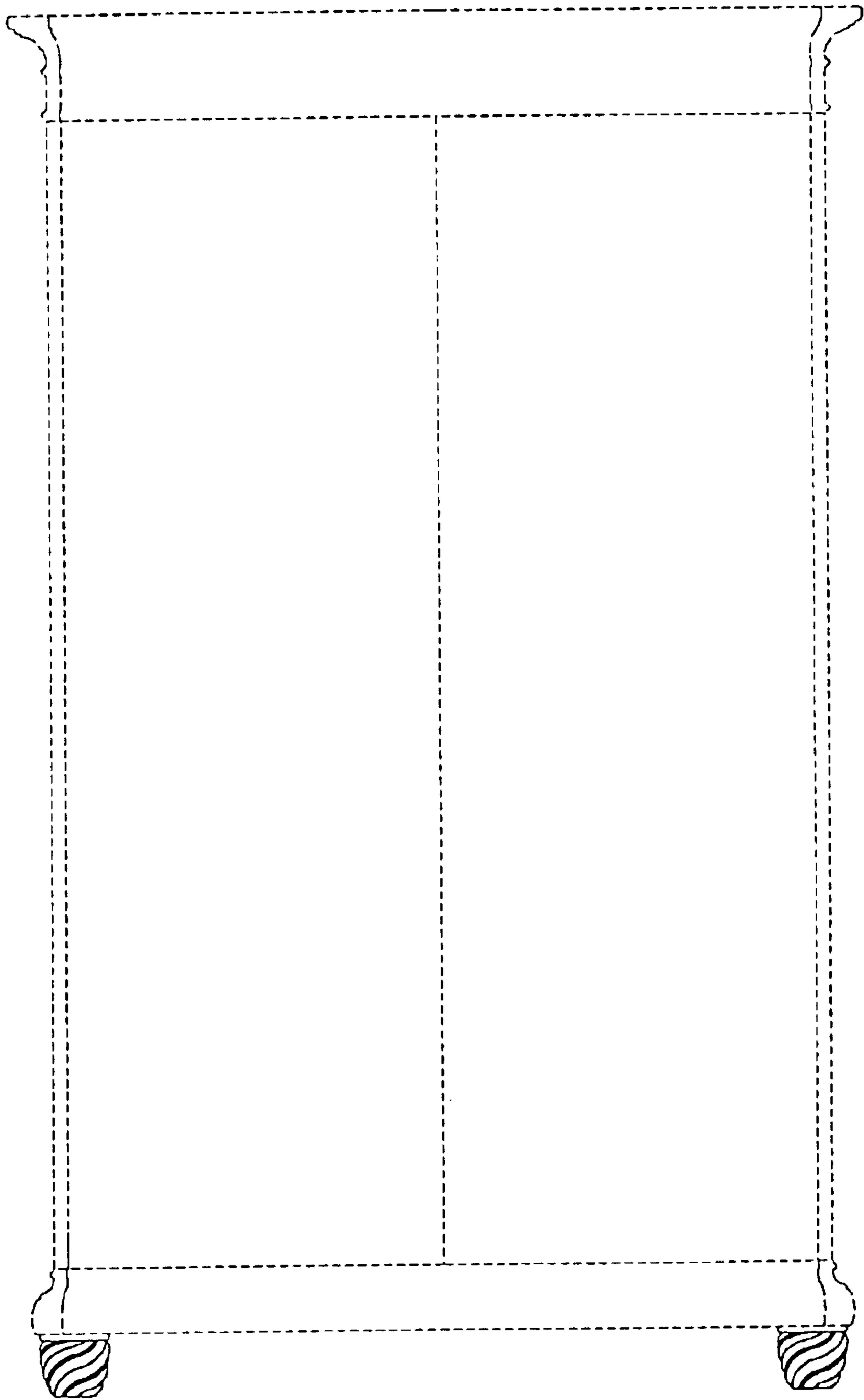


FIG 5

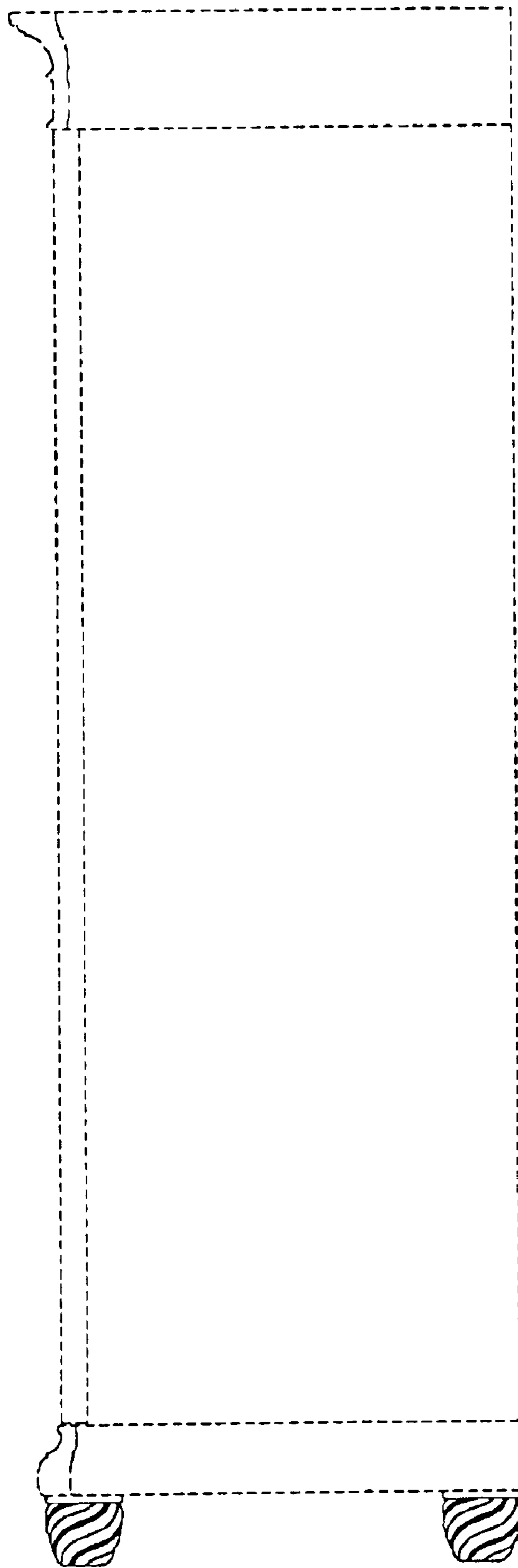
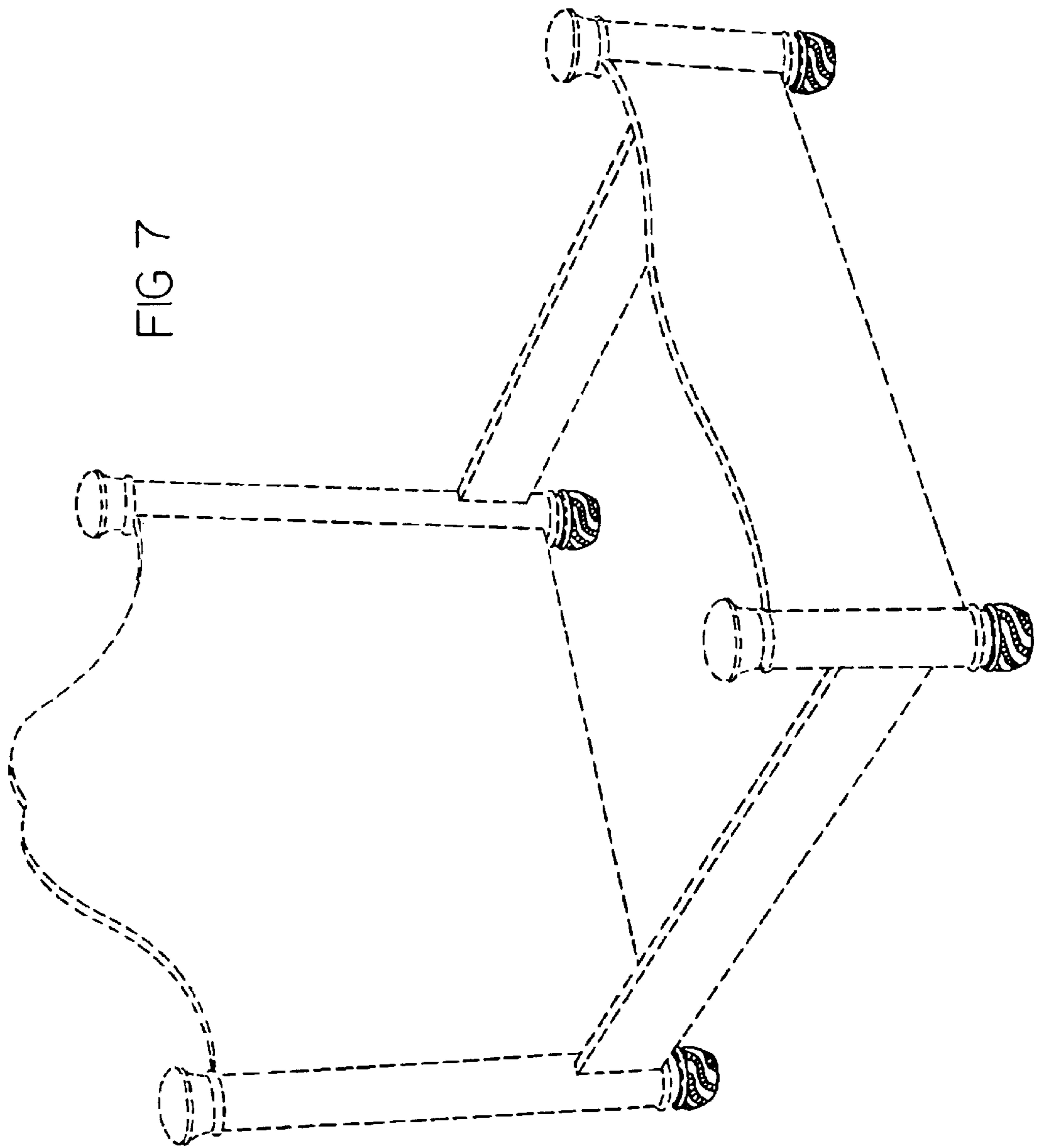


FIG 6





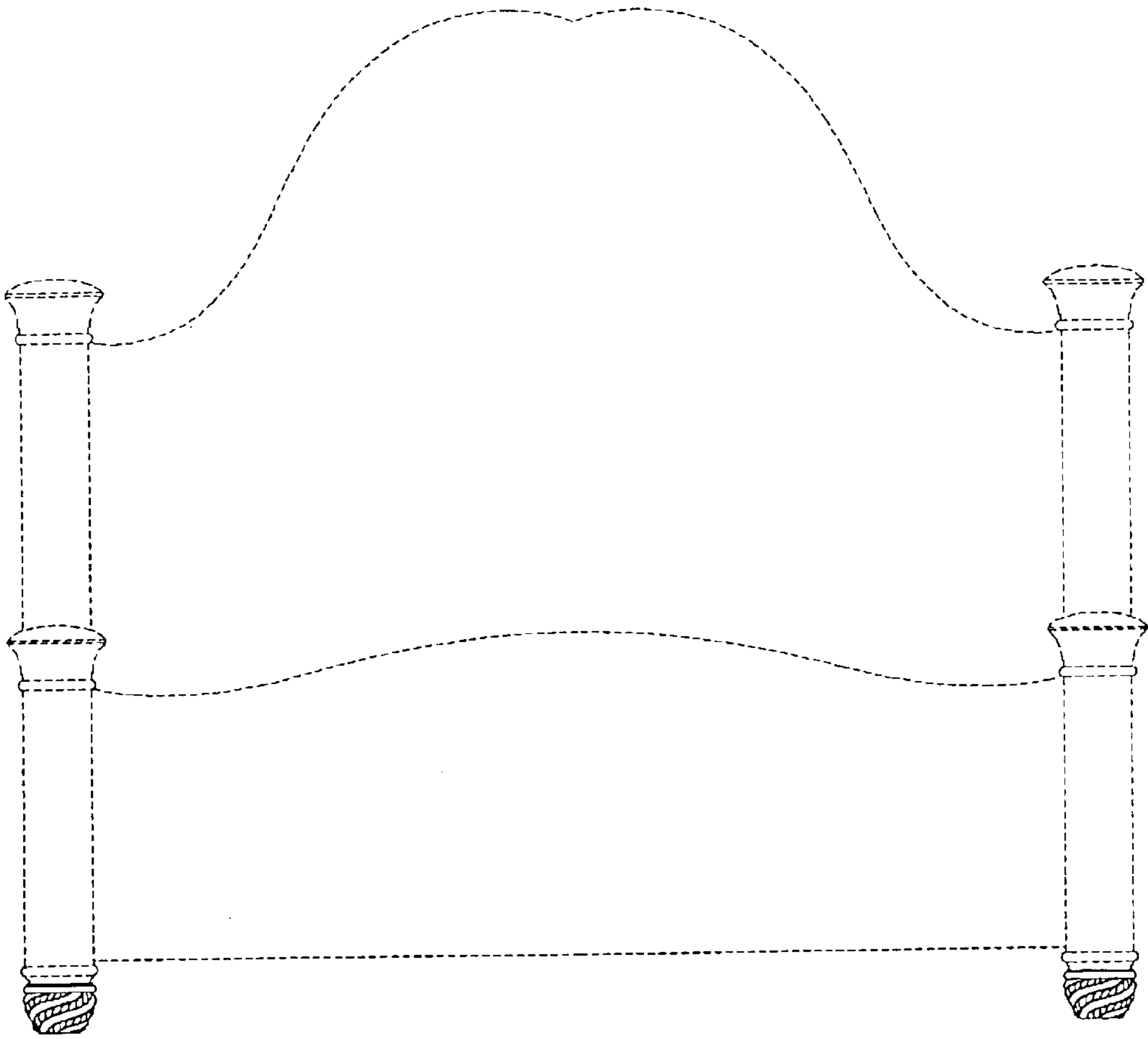


FIG 8

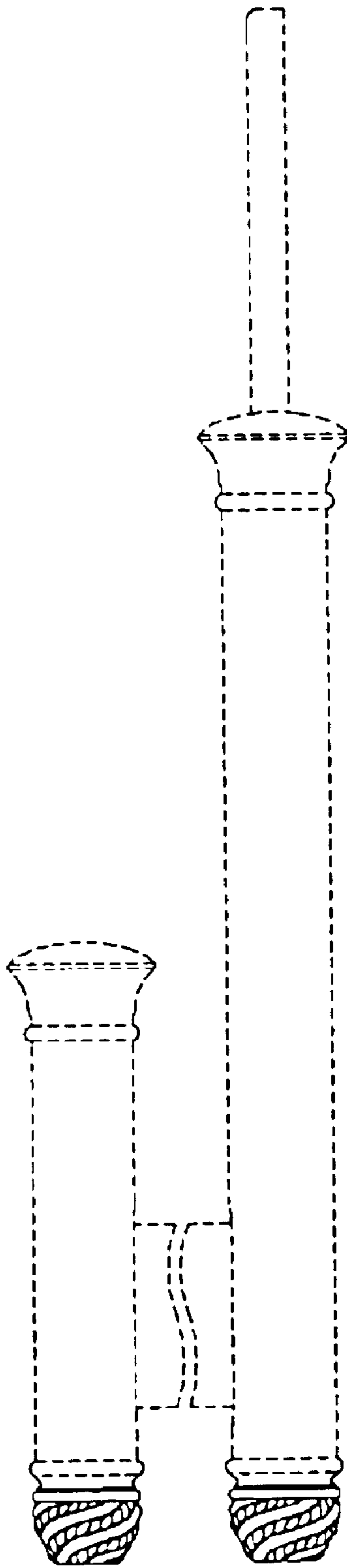


FIG 9

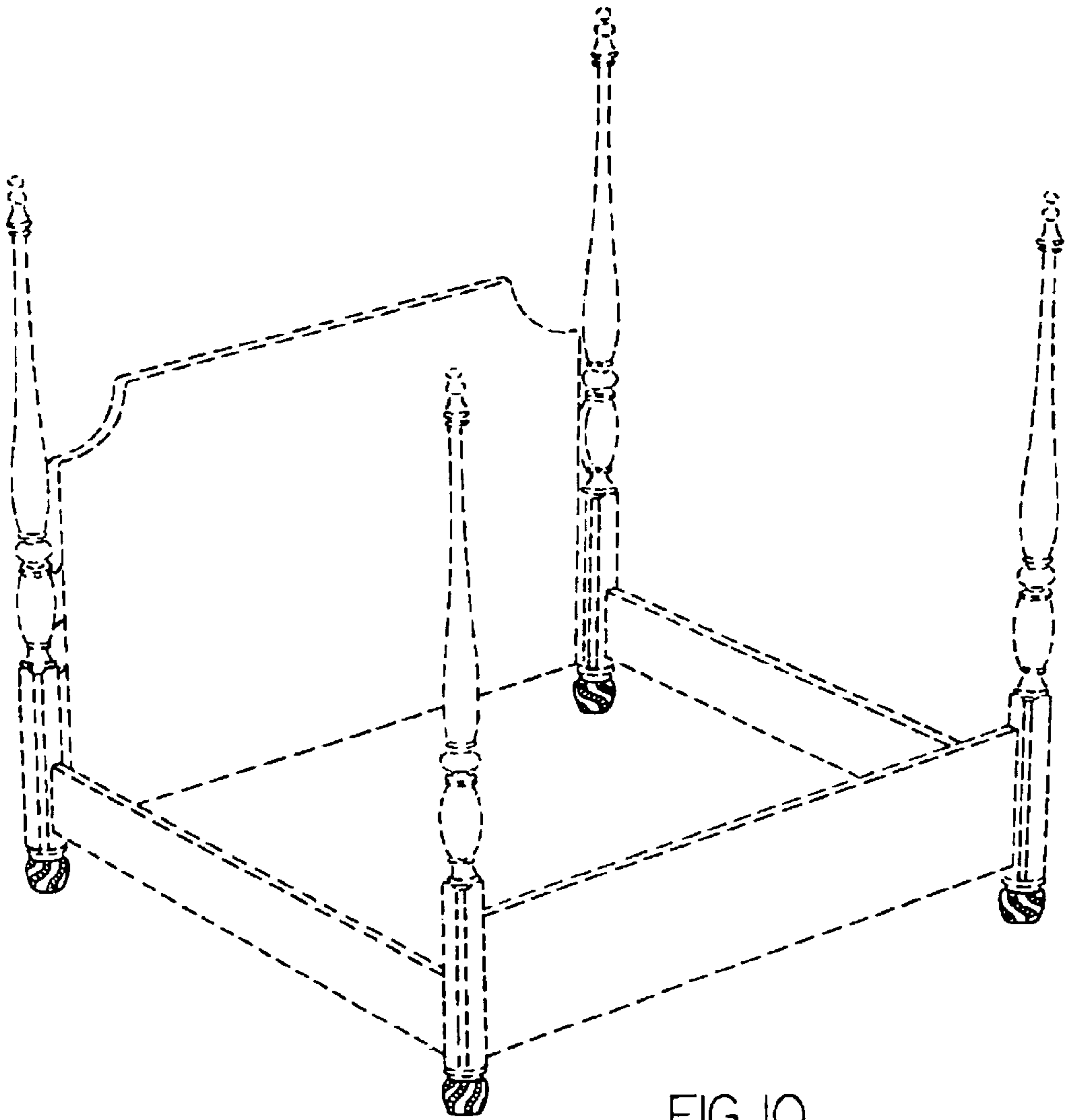


FIG 10

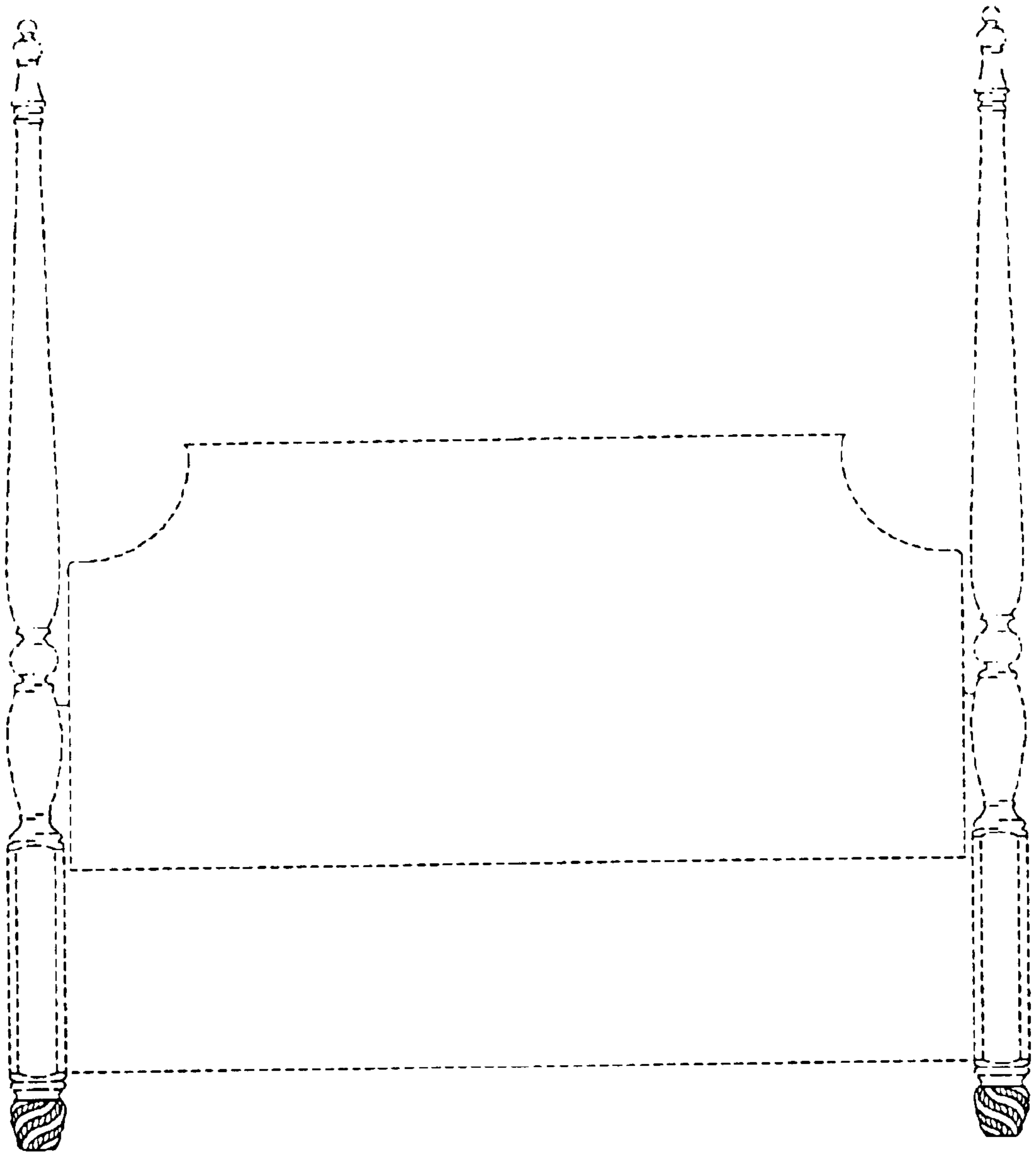


FIG 11

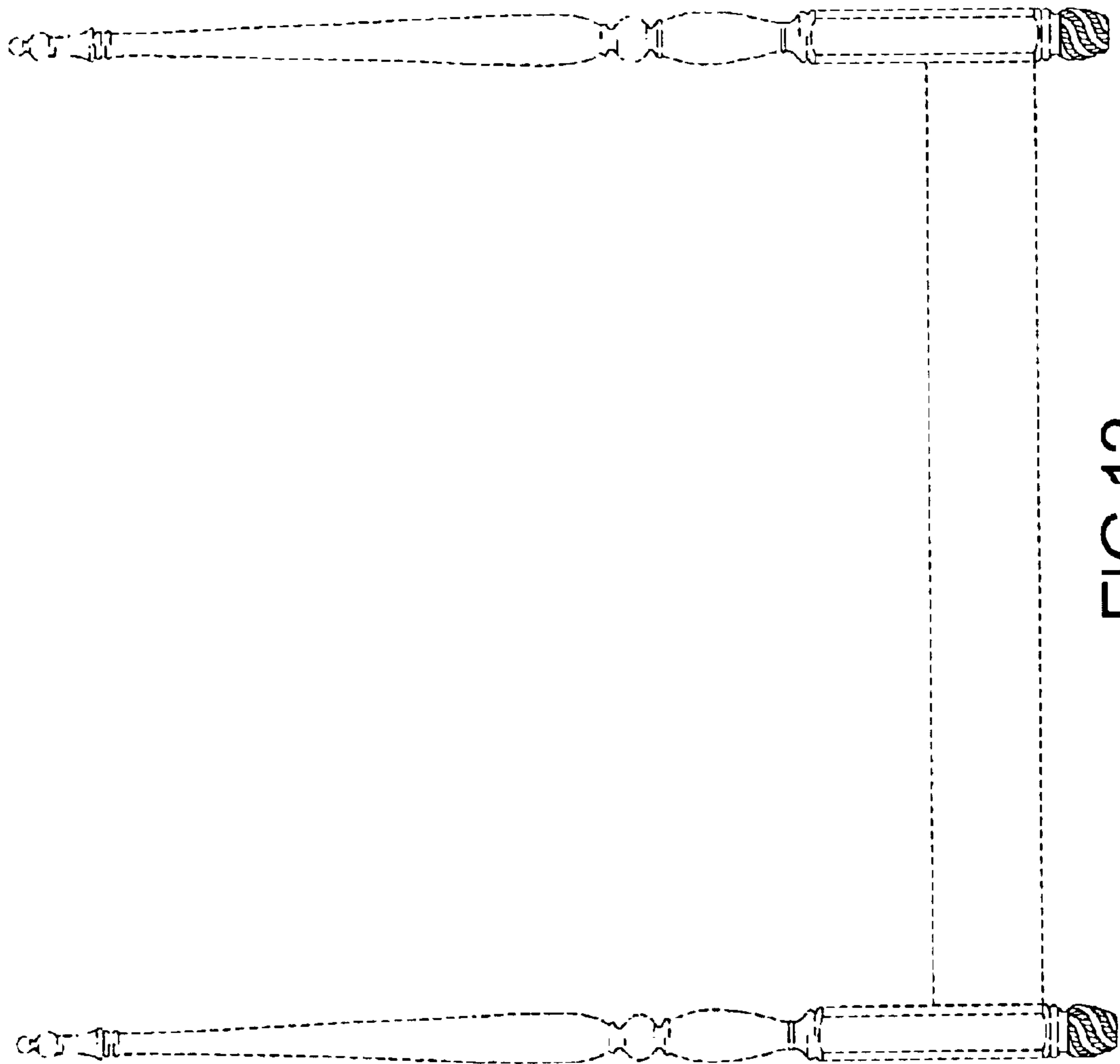


FIG 12

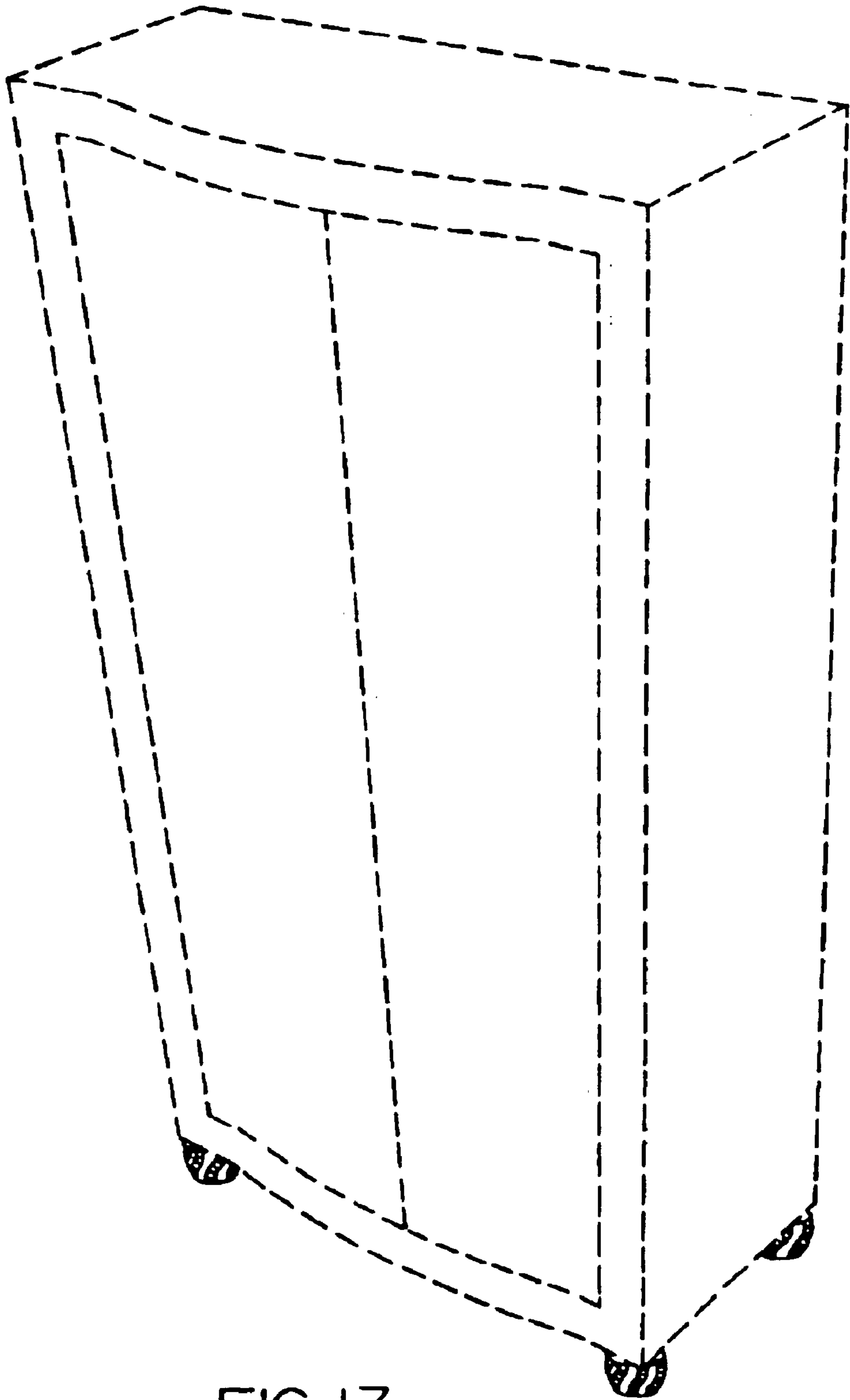


FIG 13

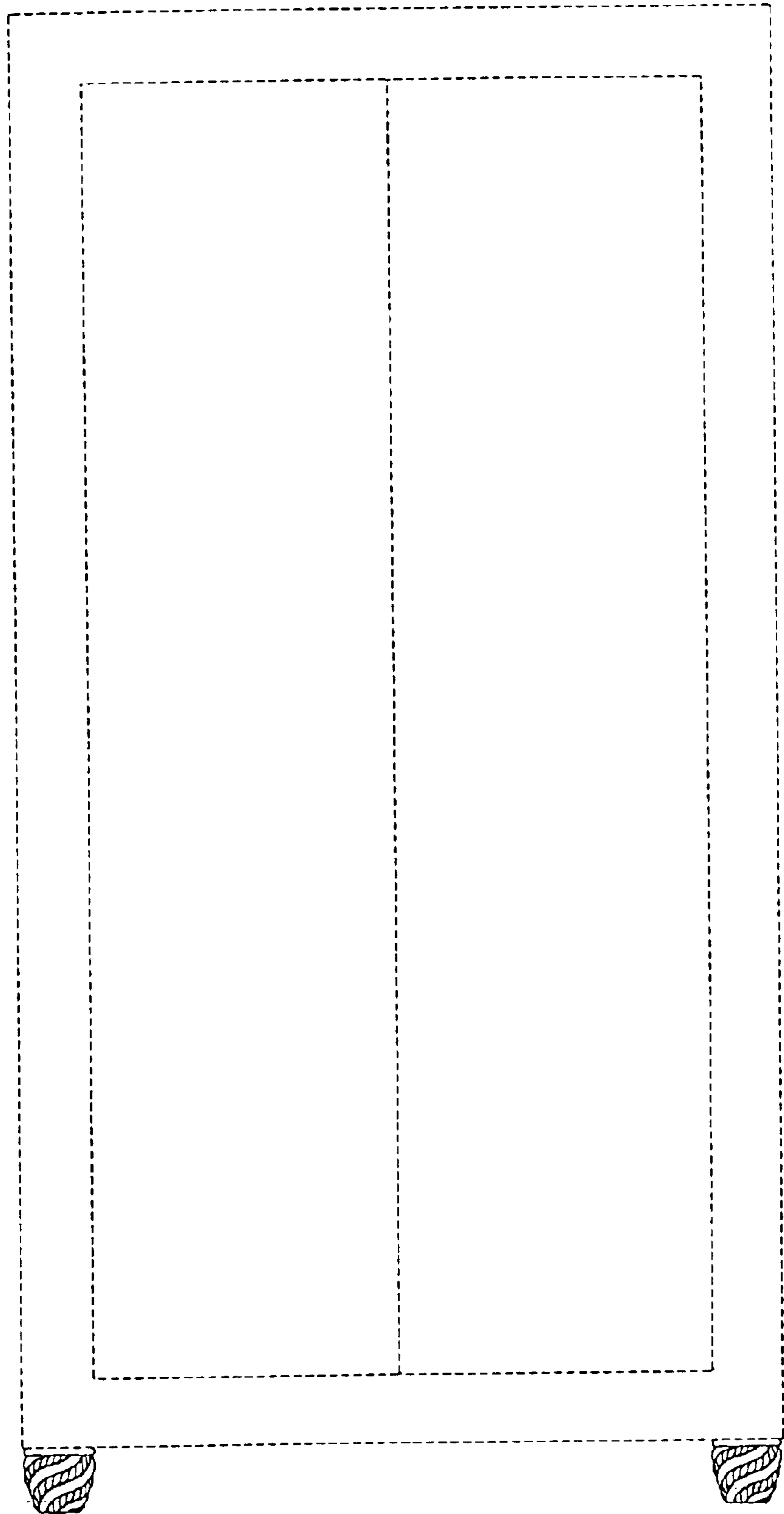


FIG 14

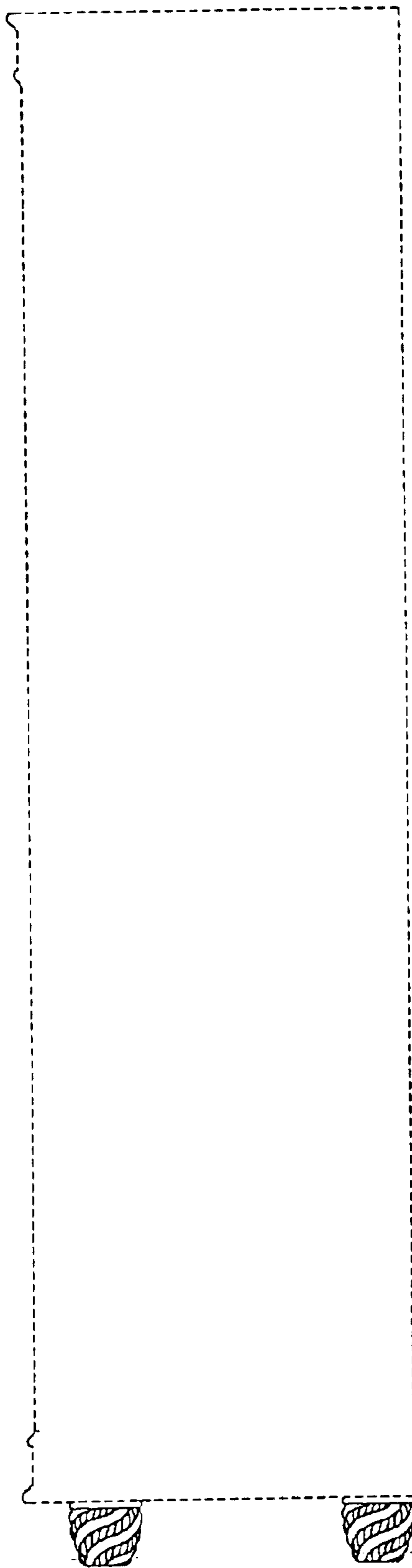


FIG 15



UNITED STATES PATENT AND TRADEMARK OFFICE  
**CERTIFICATE OF CORRECTION**

PATENT NO. : Des. 490,631 S  
DATED : June 1, 2004  
INVENTOR(S) : Scott M. Risdon

Page 1 of 1

It is certified that error appears in the above-identified patent and that said Letters Patent is hereby corrected as shown below:

Title page,

**DESCRIPTION**

Line 21, delete "front" and insert -- perspective --;

Line 22, after "foot" delete "the back view being a mirror image thereof" and insert -- in accordance with the present invention --.

Signed and Sealed this

Twenty-first Day of December, 2004

A handwritten signature in black ink on a dotted background. The signature reads "Jon W. Dudas" in a cursive style.

JON W. DUDAS

*Director of the United States Patent and Trademark Office*