



US00D490630S

(12) **United States Design Patent**
Pesso

(10) **Patent No.:** **US D490,630 S**

(45) **Date of Patent:** **** Jun. 1, 2004**

(54) **END PORTION OF SEATING FURNITURE**

(75) **Inventor:** **David Allan Pesso, Boca Raton, FL (US)**

(73) **Assignee:** **Krueger International, Inc., Green Bay, WI (US)**

(**) **Term:** **14 Years**

(21) **Appl. No.:** **29/176,985**

(22) **Filed:** **Mar. 3, 2003**

Related U.S. Application Data

(62) Division of application No. 29/161,985, filed on Jun. 7, 2002, now Pat. No. Des. 473,723.

(51) **LOC (7) Cl.** **06-06**

(52) **U.S. Cl.** **D6/492; D6/381**

(58) **Field of Search** **D6/334, 335, 364, D6/371, 373, 381, 492, 500, 501, 502; 297/232**

(56) **References Cited**

U.S. PATENT DOCUMENTS

- D234,171 S * 1/1975 Long D6/334
- D283,562 S * 4/1986 Raftery D6/334
- D329,543 S 9/1992 Shields
- D367,364 S 2/1996 Lewis
- D379,269 S 5/1997 Hutton
- D380,095 S 6/1997 Diaz-Azcuy
- D392,470 S 3/1998 Smith
- D399,661 S 10/1998 Smith
- D423,808 S 5/2000 Natuzzi et al.
- D424,317 S 5/2000 Natuzzi et al.
- D427,448 S 7/2000 Natuzzi et al.

- D431,117 S 9/2000 Hutton
- D448,946 S 10/2001 Goetz
- D466,312 S * 12/2002 Hutton D6/334
- D473,723 S * 4/2003 Pesso D6/334

OTHER PUBLICATIONS

Natuzzi Model 1308, International Home Furnishings Market, High Point, NC, Apr. 1995.

* cited by examiner

Primary Examiner—Gary D. Watson

(74) *Attorney, Agent, or Firm*—Boyle, Fredrickson, Newholm, Stein & Gratz, S.C.

(57) **CLAIM**

The ornamental design for end portion of seating furniture, as shown and described.

DESCRIPTION

FIG. 1 is an isometric view of an end portion of seating furniture incorporating my new design, which is suitable to be used in connection with seating furniture of any length and adapted to seat any number of users;

FIG. 2 is a front elevation view thereof;

FIG. 3 is a side elevation view thereof;

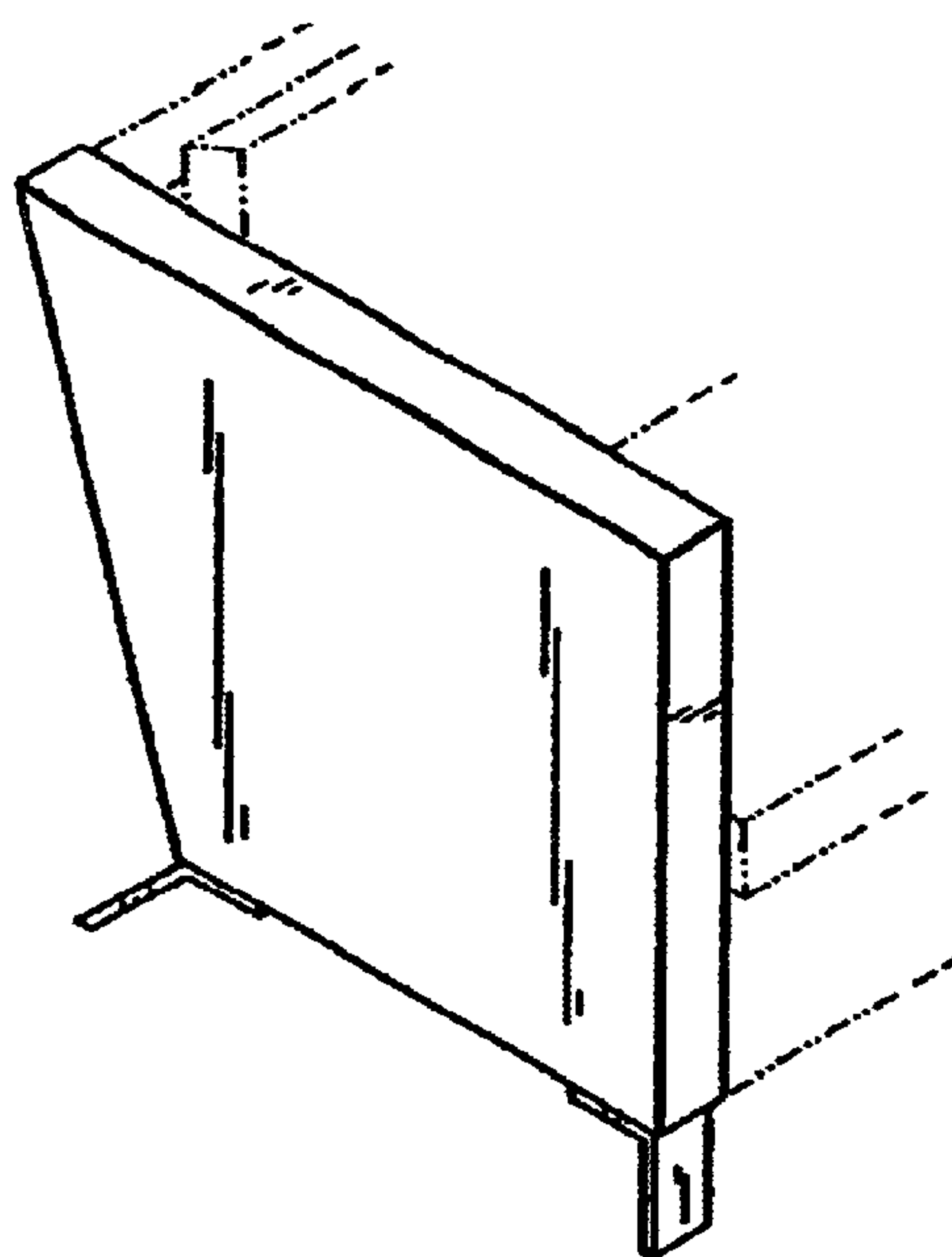
FIG. 4 is an isometric view of another embodiment of an end portion of seating furniture incorporating my new design, which is suitable to be used in connection with seating furniture of any length and adapted to seat any number of users;

FIG. 5 is a front elevation view thereof; and,

FIG. 6 is a side elevation view thereof.

The broken lines shown are for illustrative purposes only and form no part of the claimed design.

1 Claim, 2 Drawing Sheets



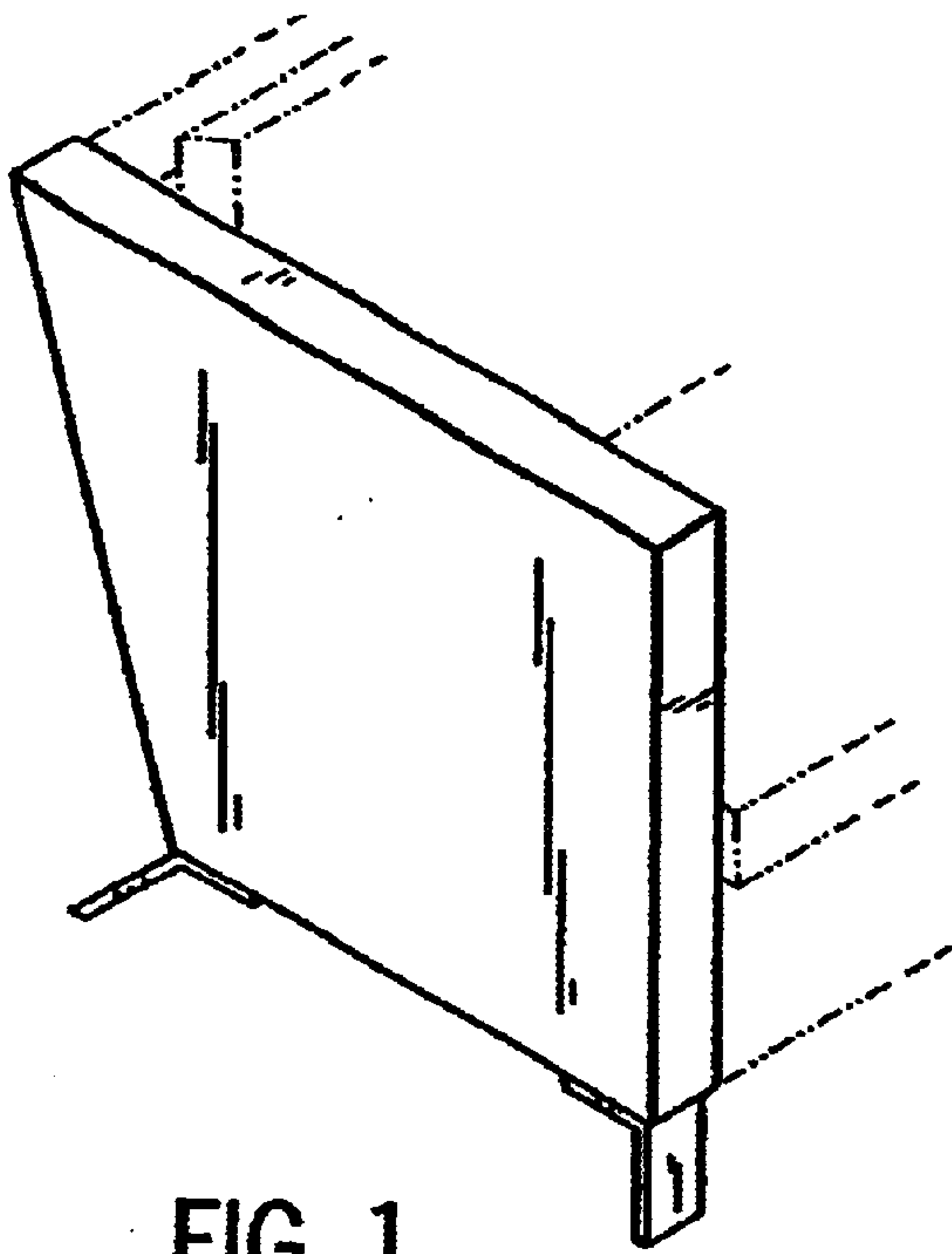


FIG. 1

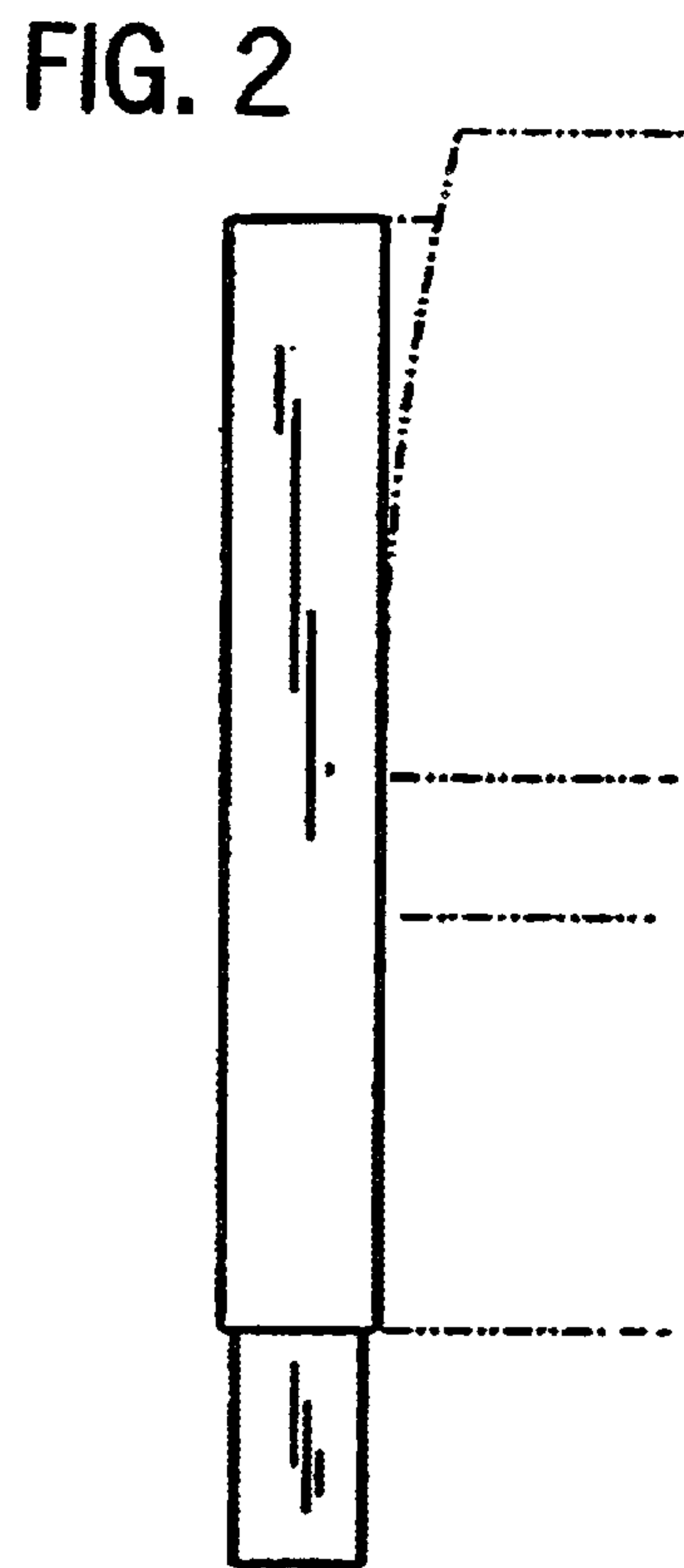


FIG. 2

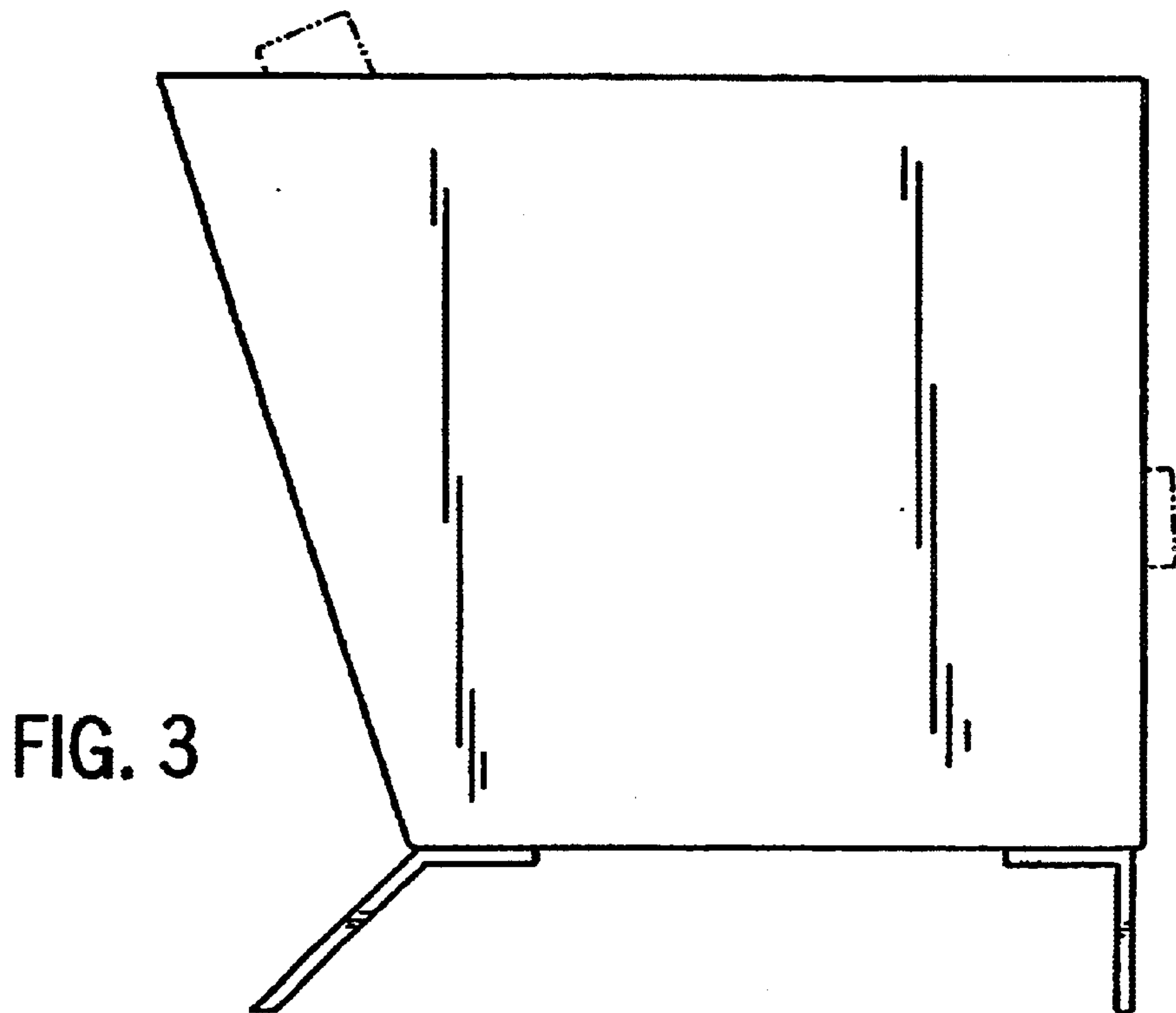


FIG. 3

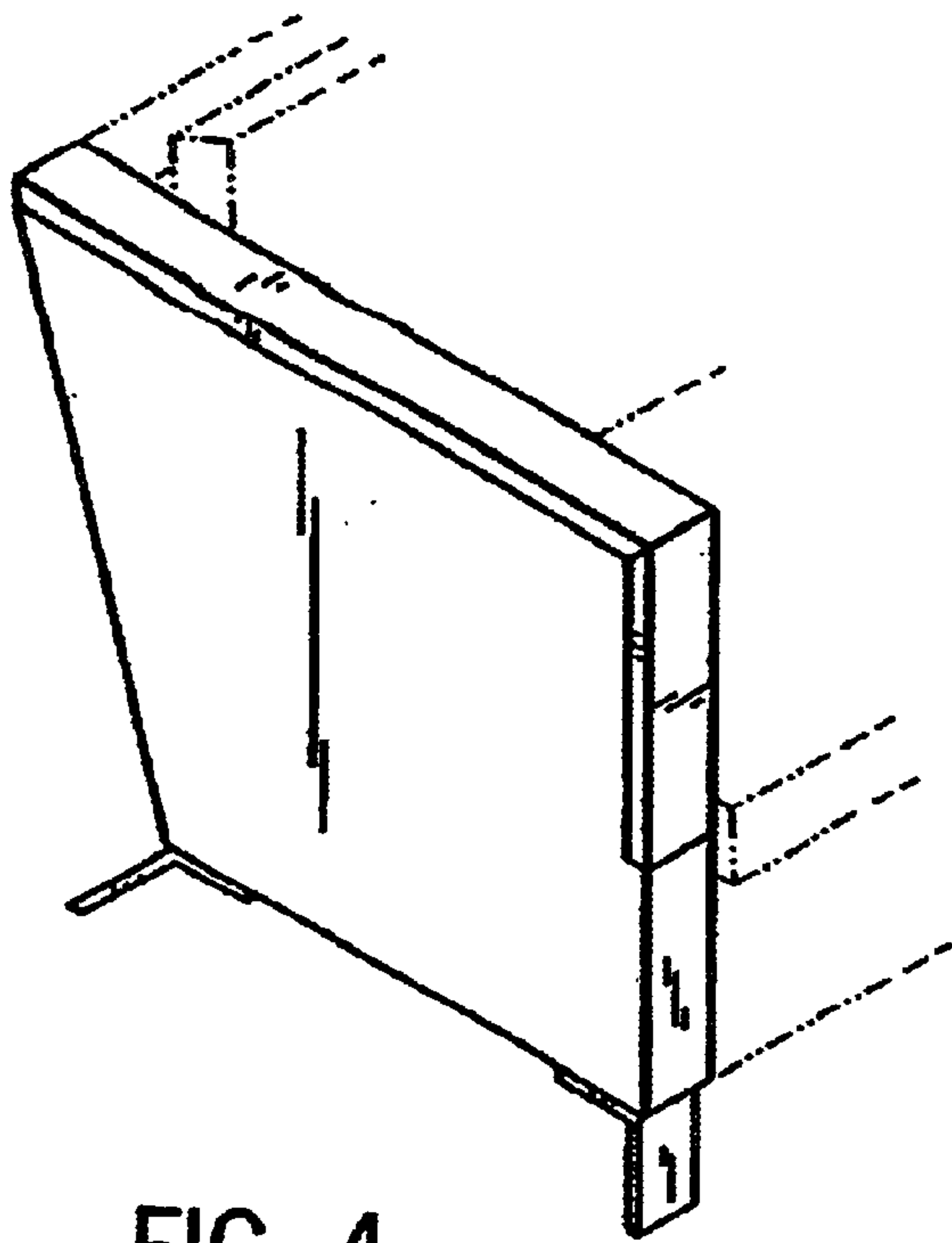


FIG. 4

FIG. 5

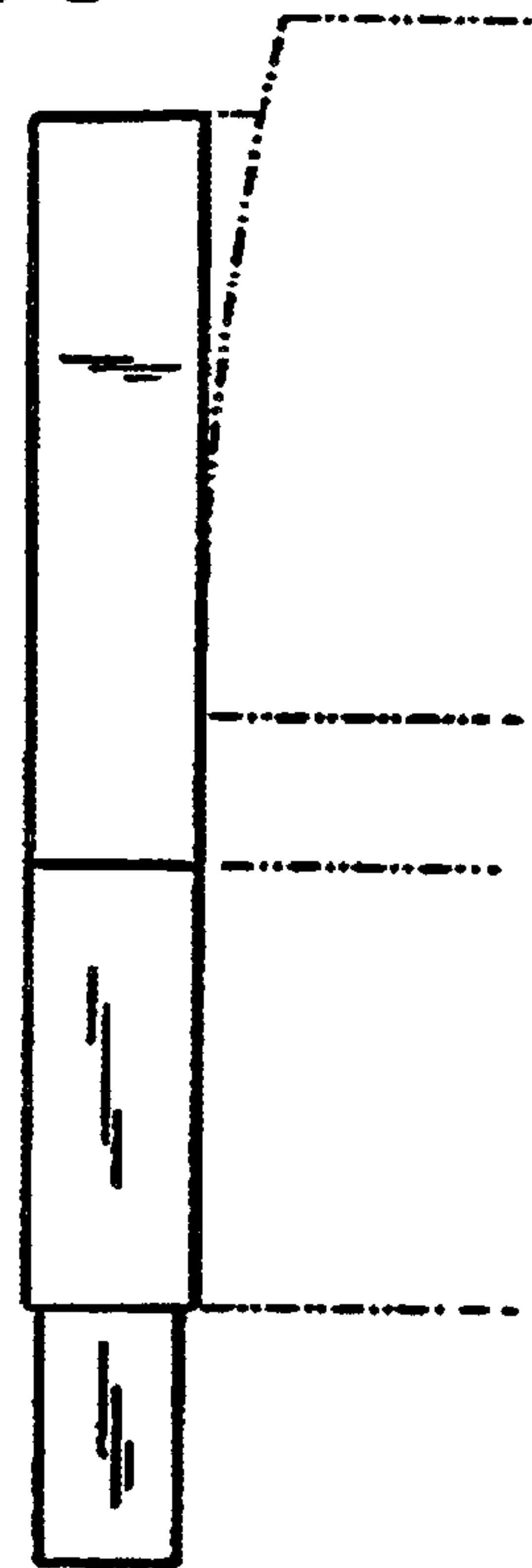


FIG. 6

