



US00D490626S

(12) **United States Design Patent**
Risdon et al.

(10) **Patent No.:** **US D490,626 S**

(45) **Date of Patent:** **** Jun. 1, 2004**

(54) **DRESSER**

(75) Inventors: **Scott M. Risdon**, Greensboro, NC (US); **Nancy L. Warren**, Greensboro, NC (US)

(73) Assignee: **Ladd Furniture, Inc.**, Greensboro, NC (US)

(**) Term: **14 Years**

(21) Appl. No.: **29/178,933**

(22) Filed: **Apr. 2, 2003**

(51) **LOC (7) Cl.** **06-04**

(52) **U.S. Cl.** **D6/441; D6/446**

(58) **Field of Search** **D6/436-439, 441, D6/444-448, 470; 312/196, 204, 224, 279**

(56) **References Cited**

U.S. PATENT DOCUMENTS

D148,199 S	*	12/1947	Tomlinson et al.	D6/441
D233,389 S	*	10/1974	Keller	D6/446
D264,530 S	*	5/1982	Aulbert et al.	D6/446
D450,202 S	*	11/2001	McDaniel et al.	D6/441
D470,686 S	*	2/2003	O'Hare	D6/434

OTHER PUBLICATIONS

Furniture Today, Casa Stradivari Dresser, p. 180, Apr. 27, 1998.*

* cited by examiner

Primary Examiner—Cathron Brooks

(74) *Attorney, Agent, or Firm*—Harness, Dickey & Pierce, P.L.C.

(57) **CLAIM**

The ornamental design for the dresser, as shown and described.

DESCRIPTION

FIG. 1 is a perspective view of a dresser in accordance with the present invention;

FIG. 2 is a front view of the dresser, the back of the dresser is not illustrated as it forms no part of the present invention;

FIG. 3 is a top view of the dresser, the bottom of the dresser is not illustrated as it forms no part of the present invention;

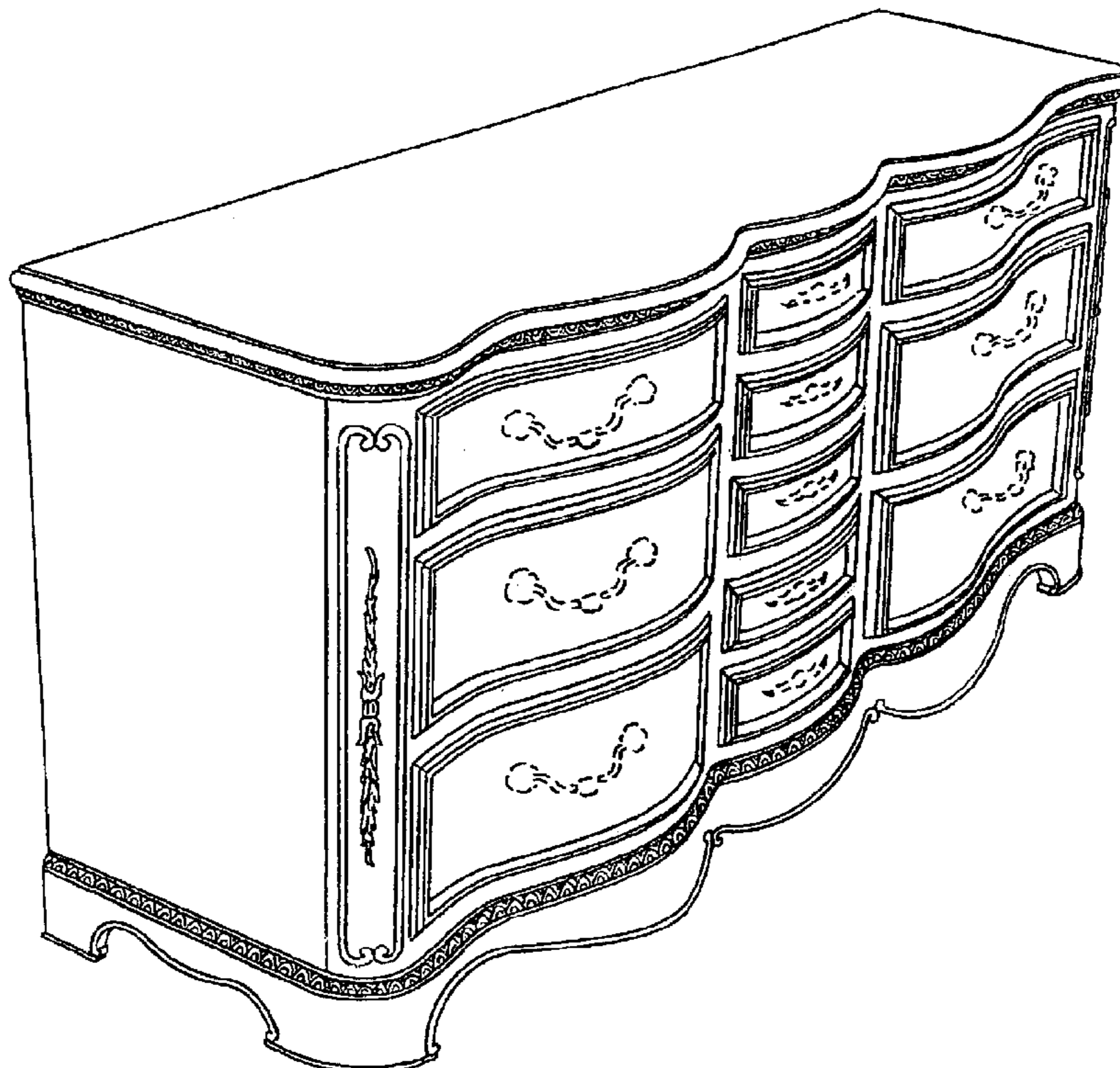
FIG. 4 is a right side view of the dresser, the left side view being a mirror image thereof;

FIG. 5 is a detail view of an edging detail as applied to the dresser adjacent the top and base of the present invention; and,

FIG. 6 is a detail view of a pilaster detail as applied to the corner of the dresser of the present invention.

The various hardware such as the handles, pulls and escutcheon plates are shown in broken lines and form no part of the claimed design.

1 Claim, 6 Drawing Sheets



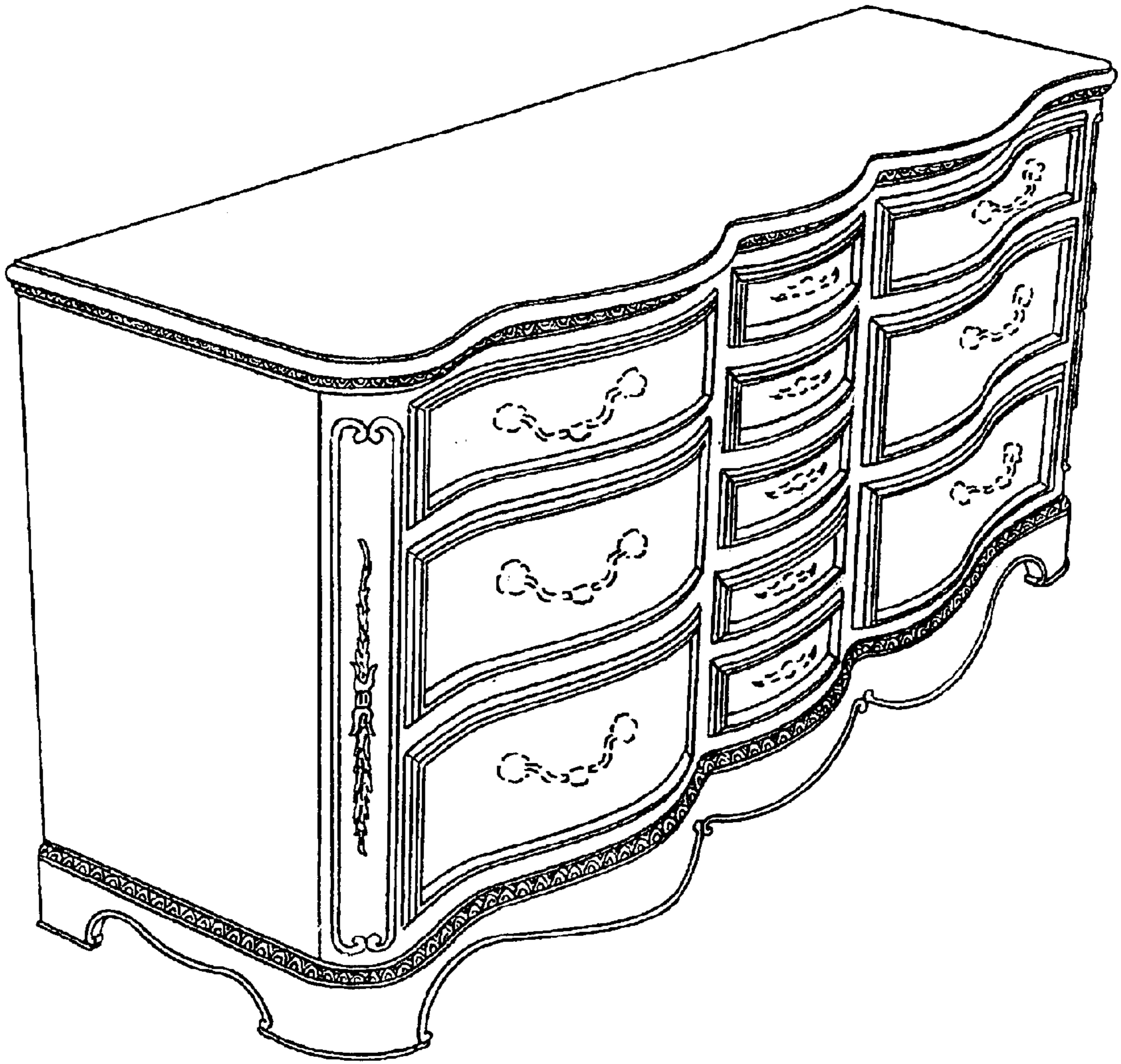


Figure 1

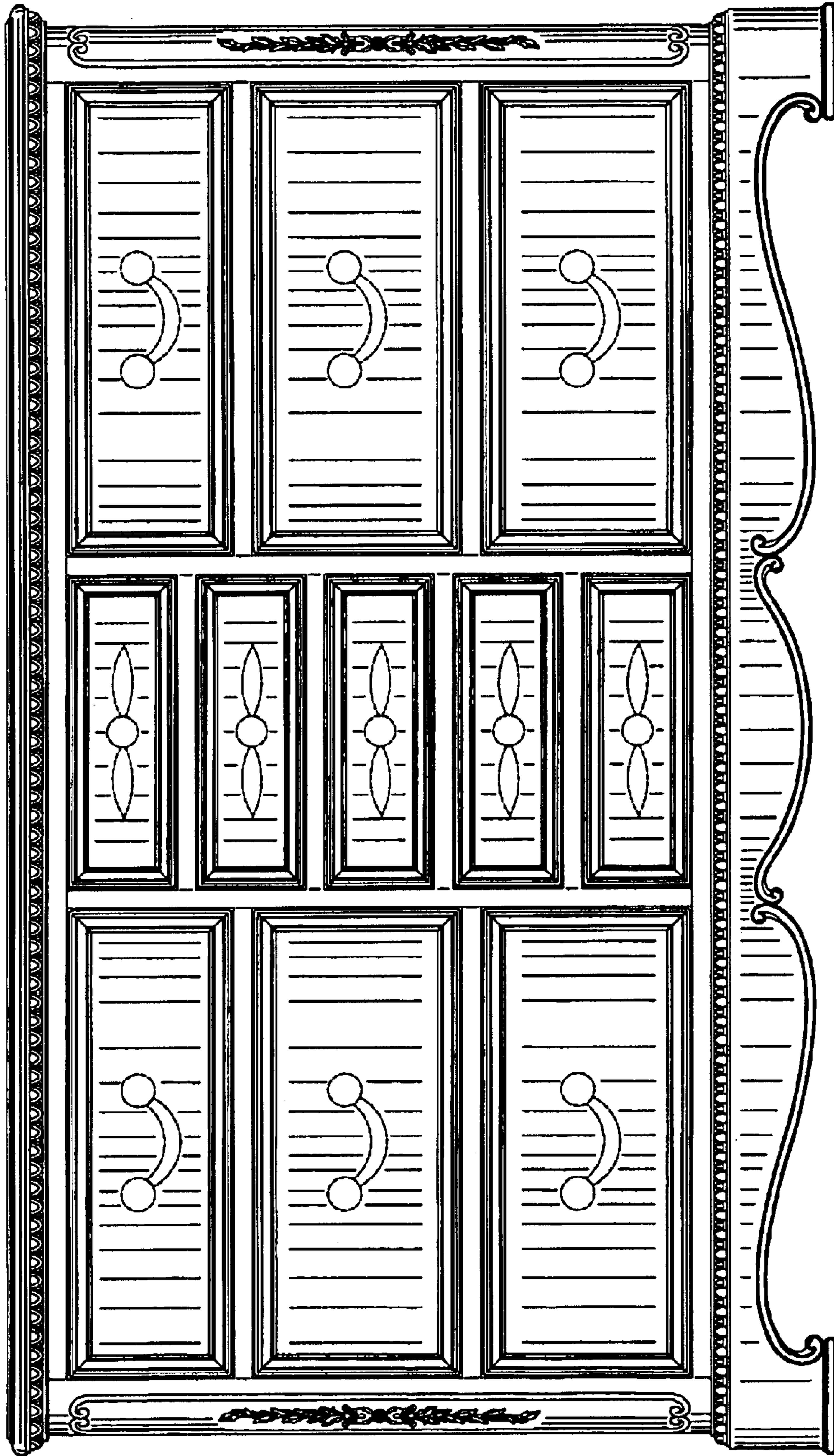


Figure 2

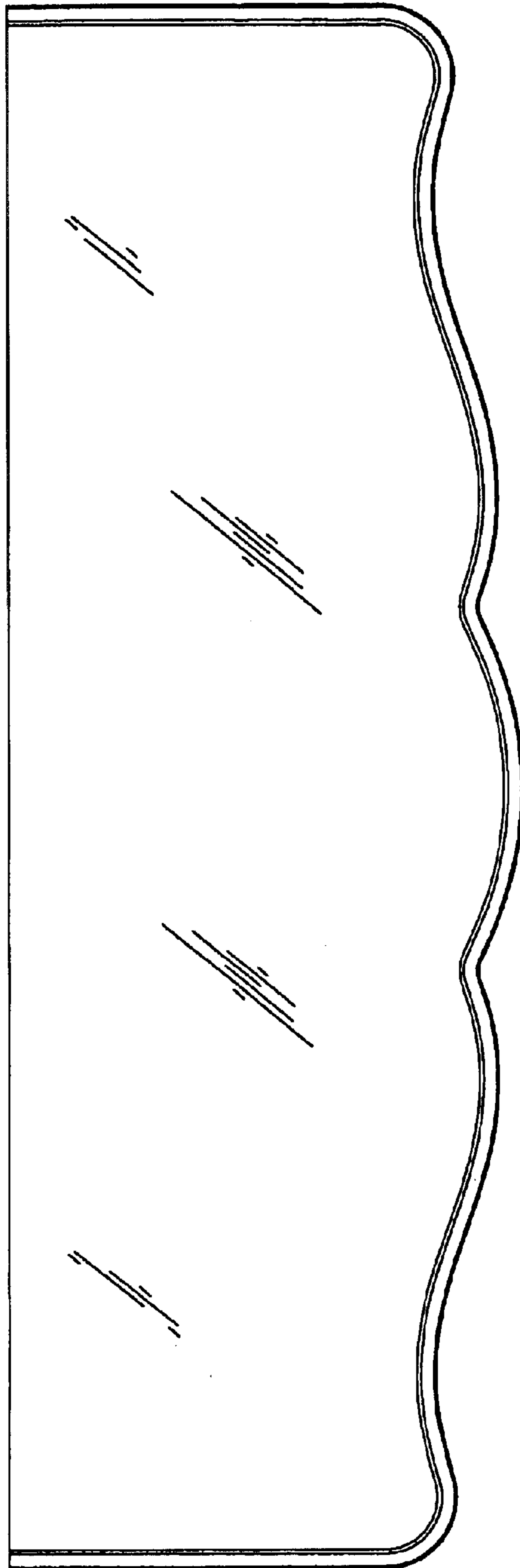


Figure 3

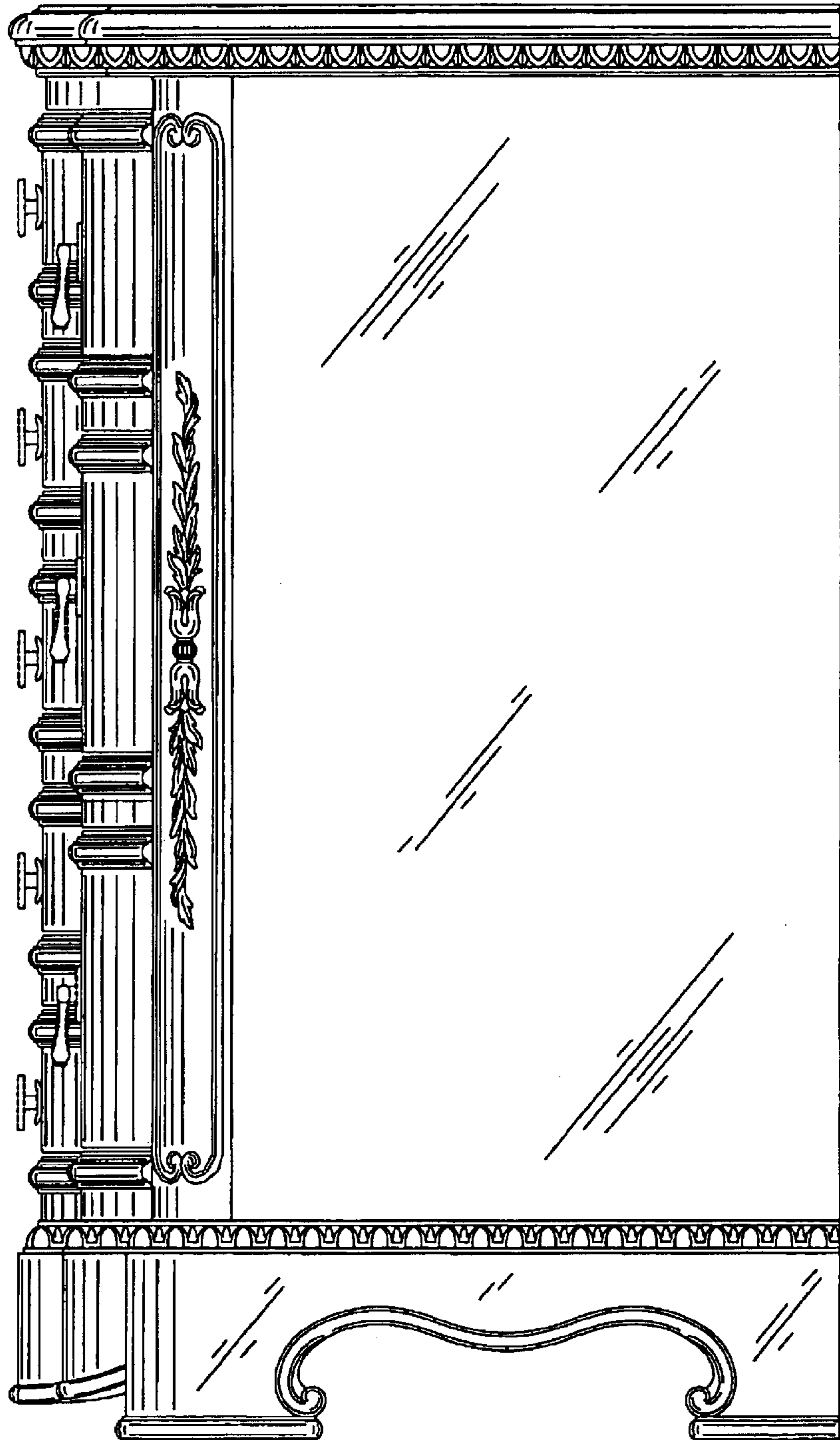


Figure 4

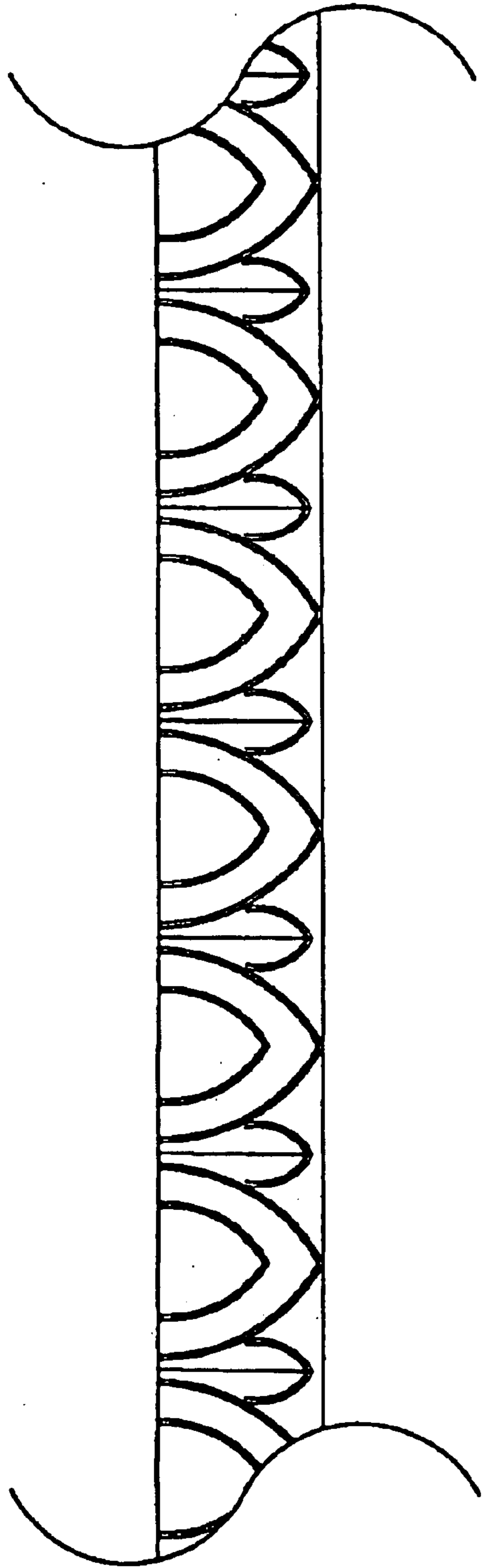


Figure 5

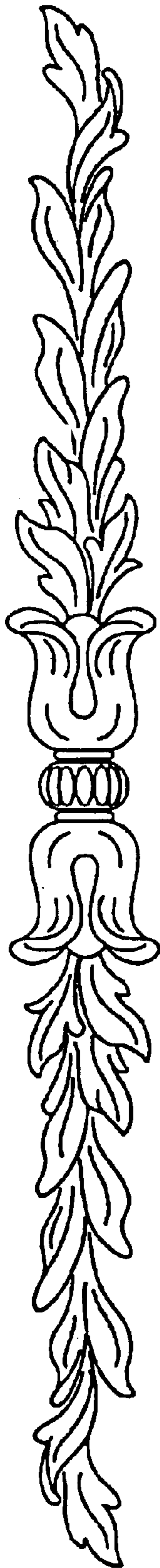


Figure 6