



US00D490621S

(12) **United States Design Patent**  
Newhouse

(10) **Patent No.:** **US D490,621 S**

(45) **Date of Patent:** **\*\* Jun. 1, 2004**

(54) **OFFICE CHAIR**

(76) Inventor: **Thomas James Newhouse**, O-10923  
2<sup>nd</sup> Ave., Grands Rapids, MI (US)  
49544-6753

(\*\*) Term: **14 Years**

(21) Appl. No.: **29/180,430**

(22) Filed: **Apr. 23, 2003**

(51) **LOC (7) Cl.** ..... **06-01**

(52) **U.S. Cl.** ..... **D6/366**

(58) **Field of Search** ..... D6/334, 335, 364,  
D6/365, 366, 367, 500, 501, 502; 297/411.2,  
411.27, 411.36

(56) **References Cited**

**U.S. PATENT DOCUMENTS**

D407,911 S	*	4/1999	Brauning	.....	D6/366
D418,316 S	*	1/2000	Vogtherr	.....	D6/366
D437,701 S	*	2/2001	Bellini et al.	.....	D6/366
D445,580 S	*	7/2001	Pennington et al.	.....	D6/366
D446,033 S	*	8/2001	Koepke et al.	.....	D6/366

D468,564 S	*	1/2003	Piretti et al.	.....	D6/500
D472,722 S	*	4/2003	Moll	.....	D6/366
D477,469 S	*	7/2003	Brooks	.....	D6/366

\* cited by examiner

*Primary Examiner*—Gary D. Watson

(74) *Attorney, Agent, or Firm*—McGarry Bair PC

(57) **CLAIM**

The ornamental design for an office chair, as shown and described.

**DESCRIPTION**

FIG. 1 is a perspective view of the ornamental design for an office chair according to the invention.

FIG. 2 is a rear perspective view thereof.

FIG. 3 is a left side elevational view, of which the right side view is a mirror image thereof.

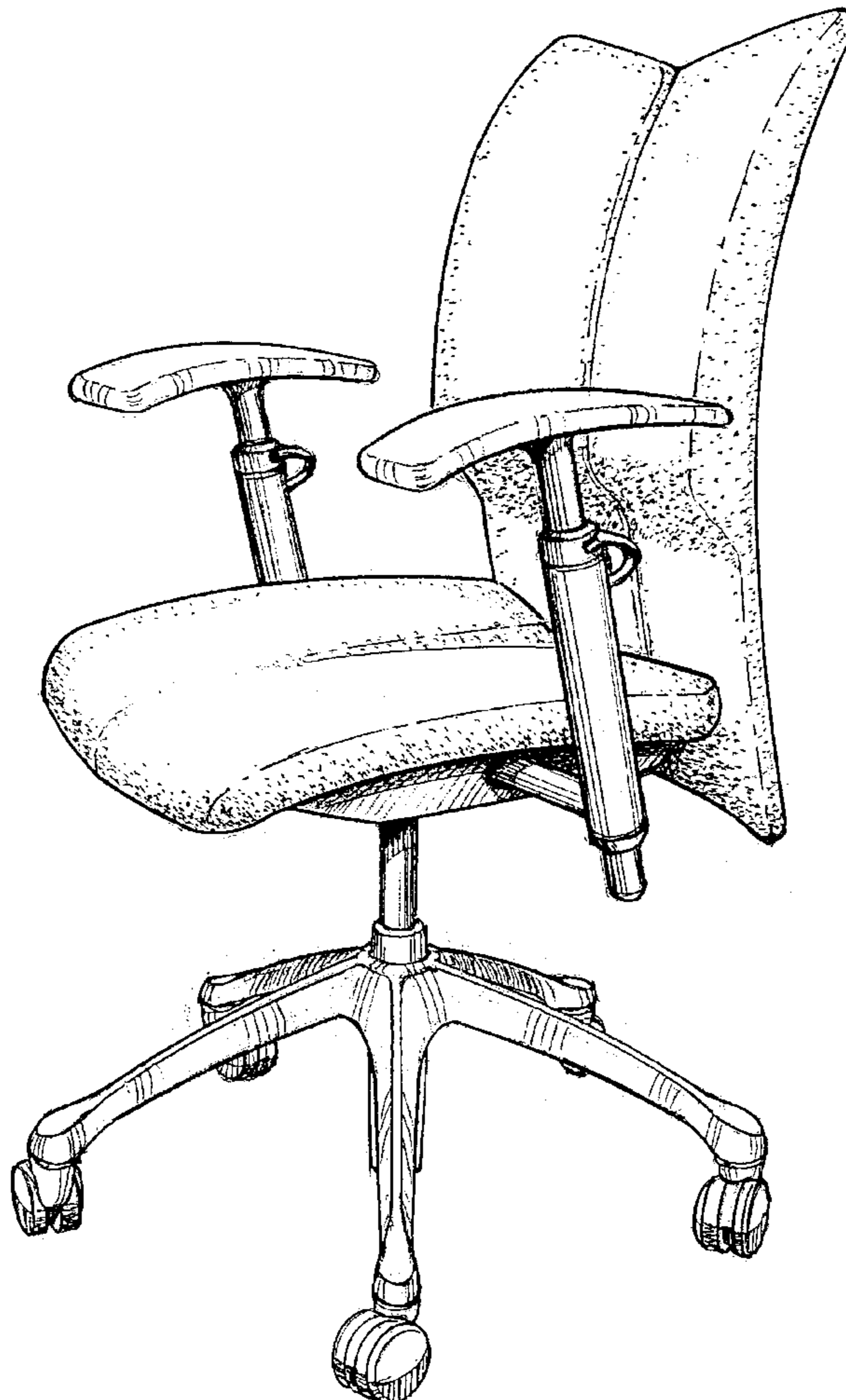
FIG. 4 is a front elevational view thereof.

FIG. 5 is a rear elevational view thereof.

FIG. 6 is a top plan view thereof; and,

FIG. 7 is a bottom plan view thereof.

**1 Claim, 5 Drawing Sheets**



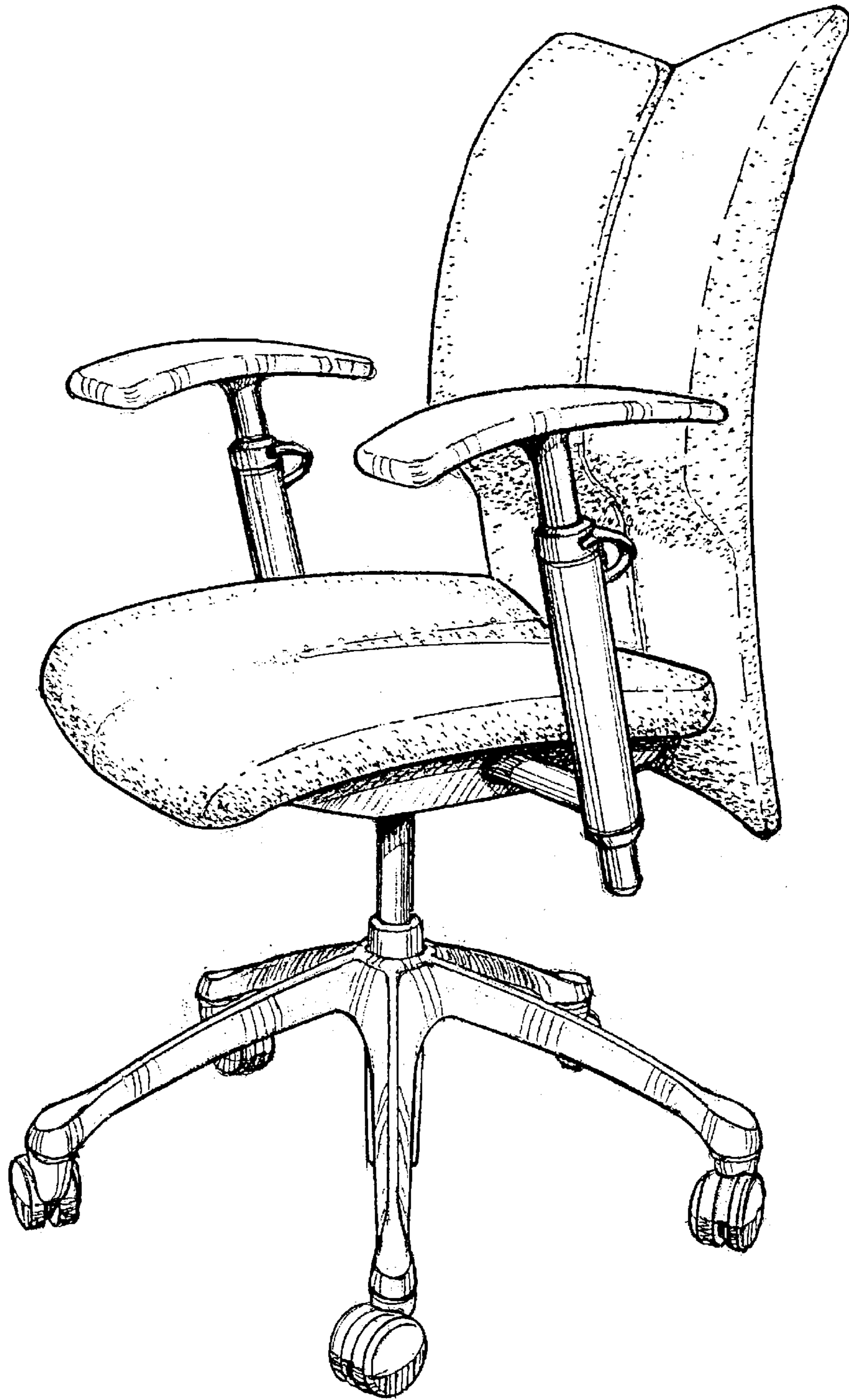


Fig. 1

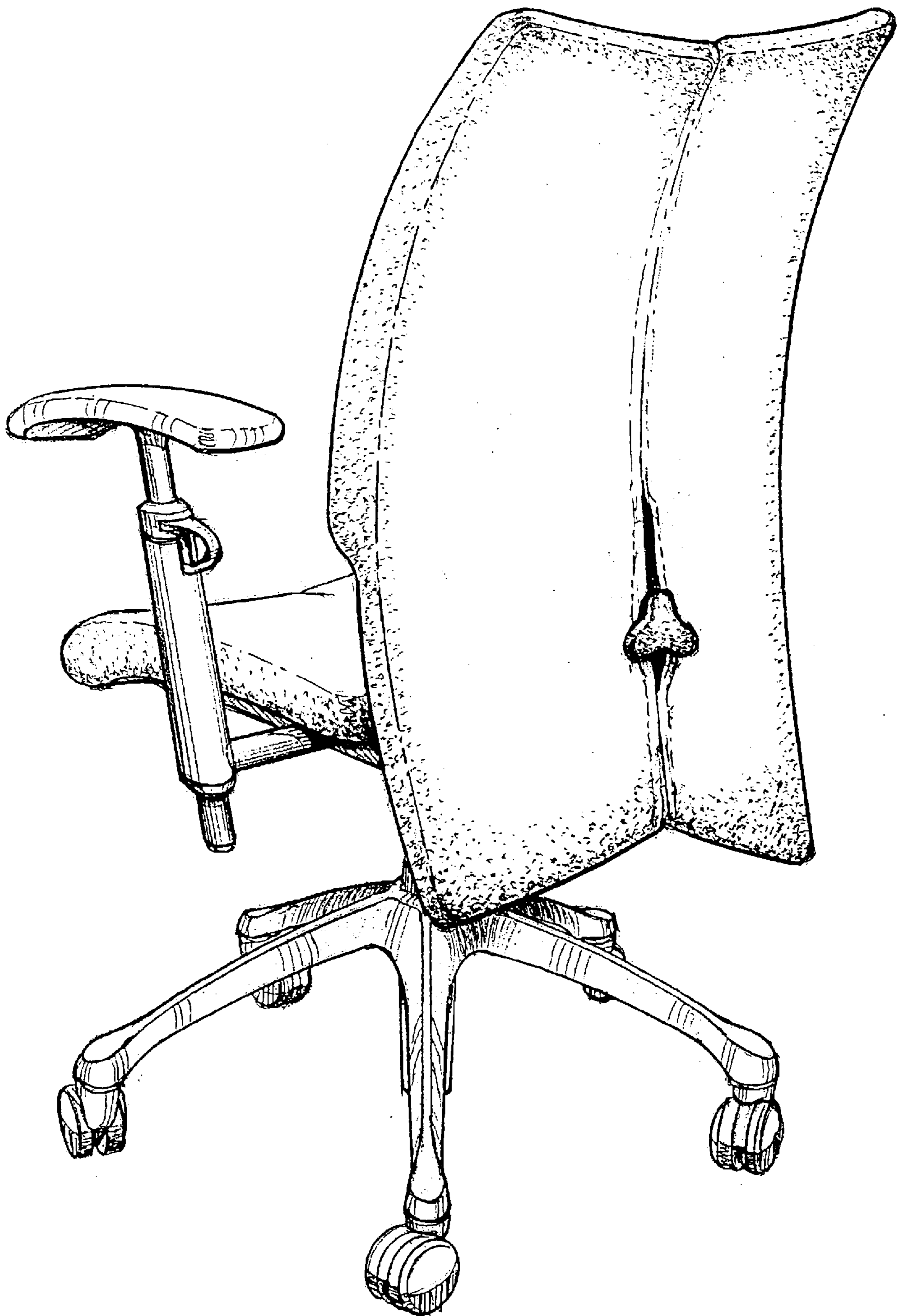


Fig. 2

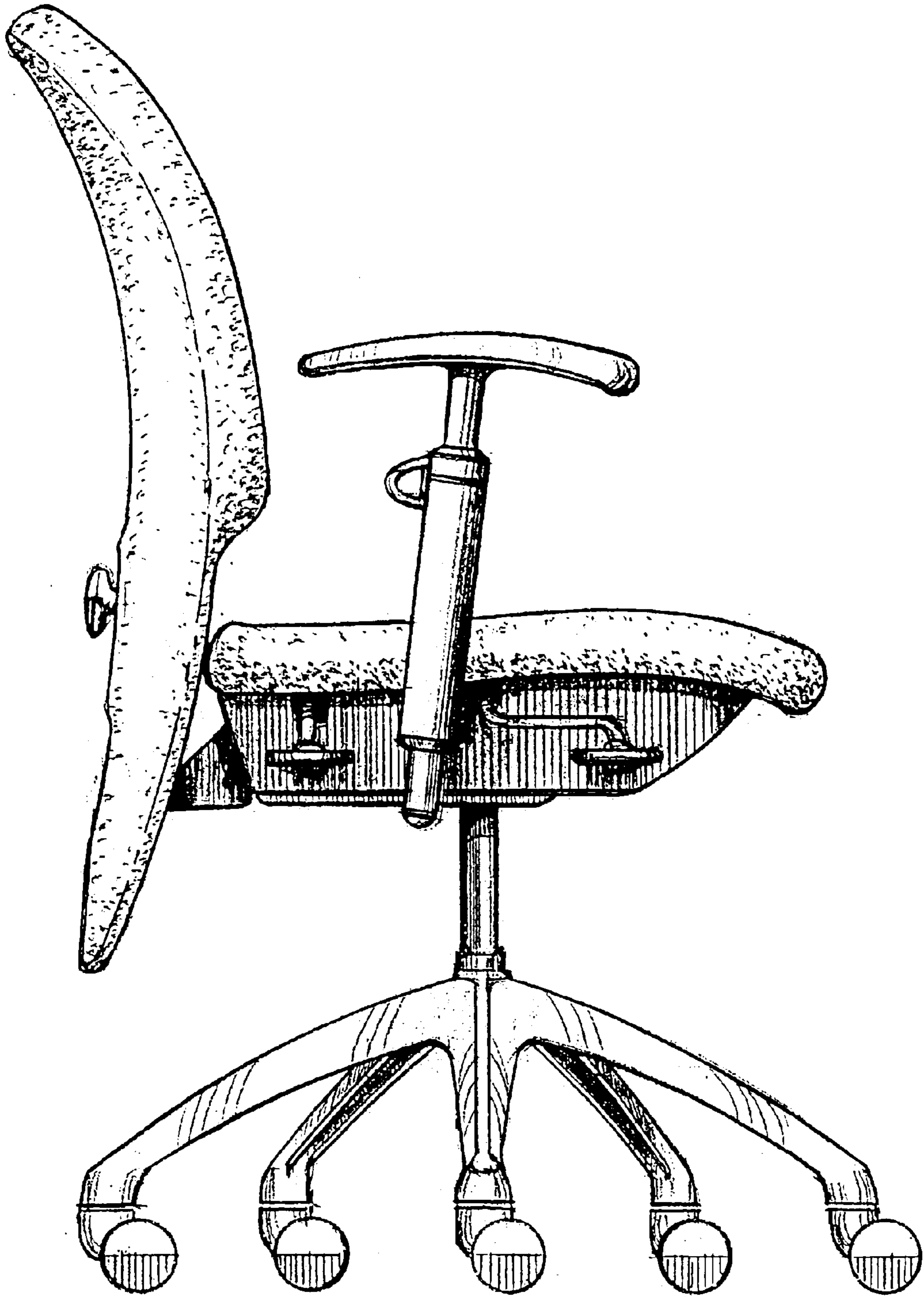


Fig. 3

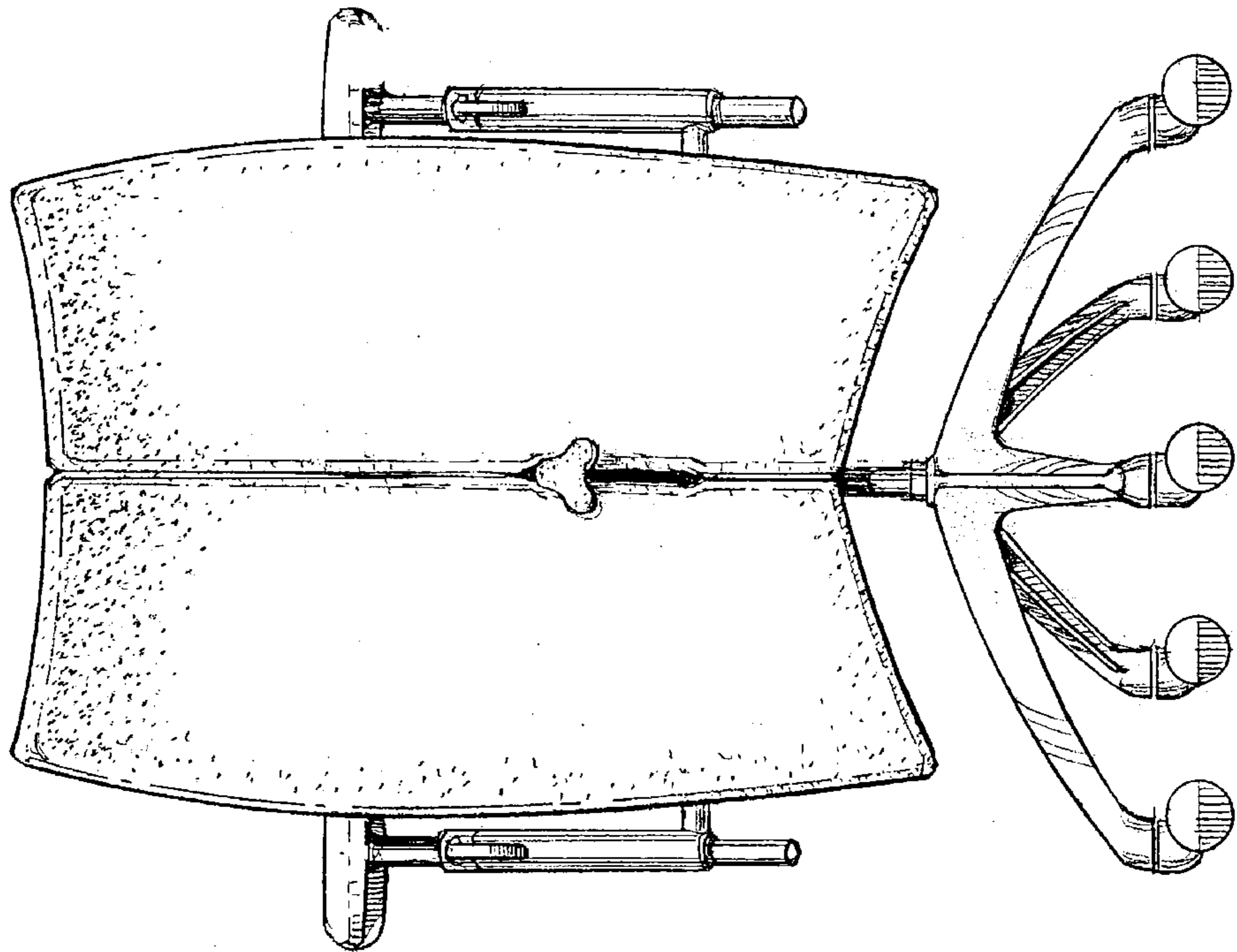


Fig. 5

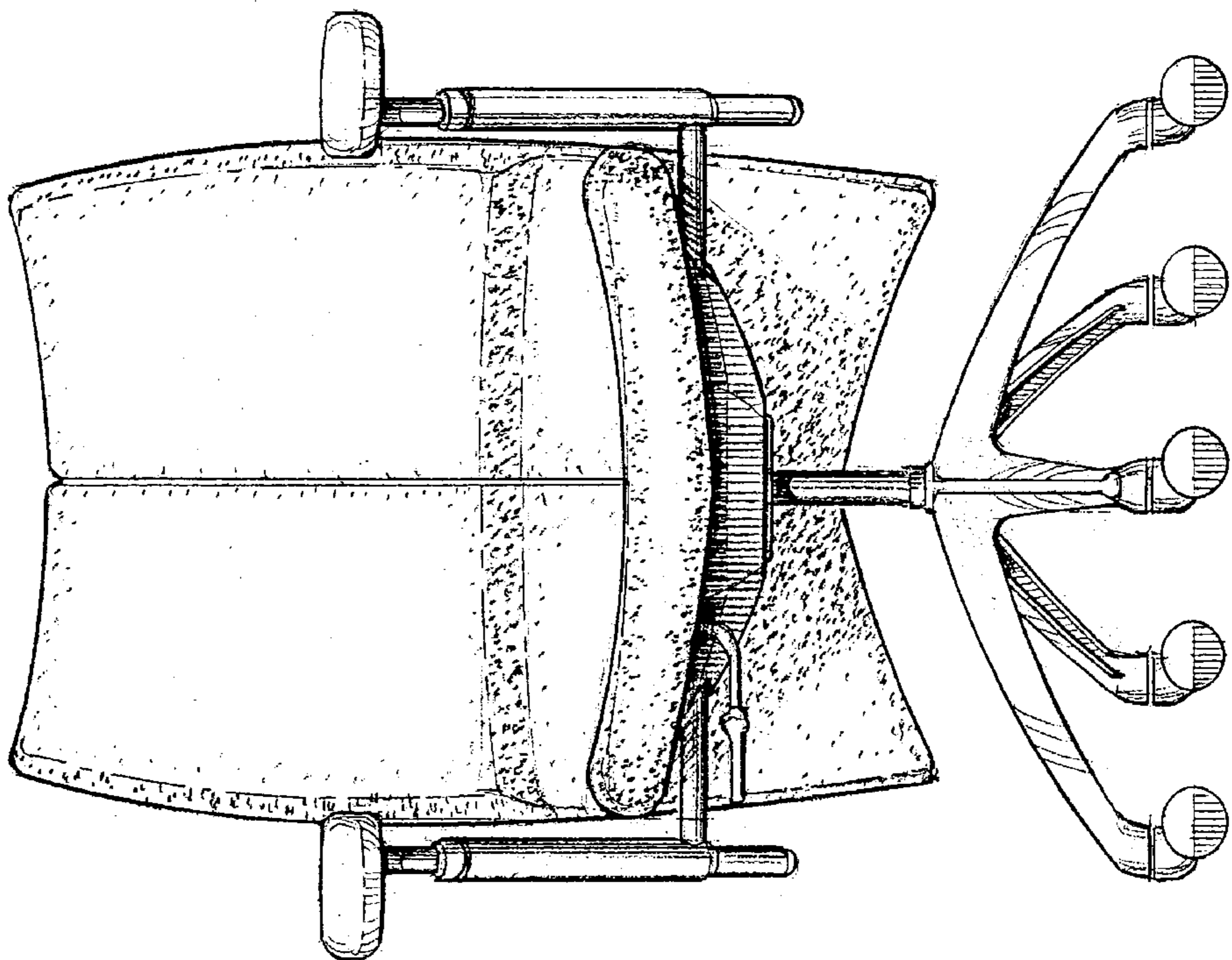


Fig. 4

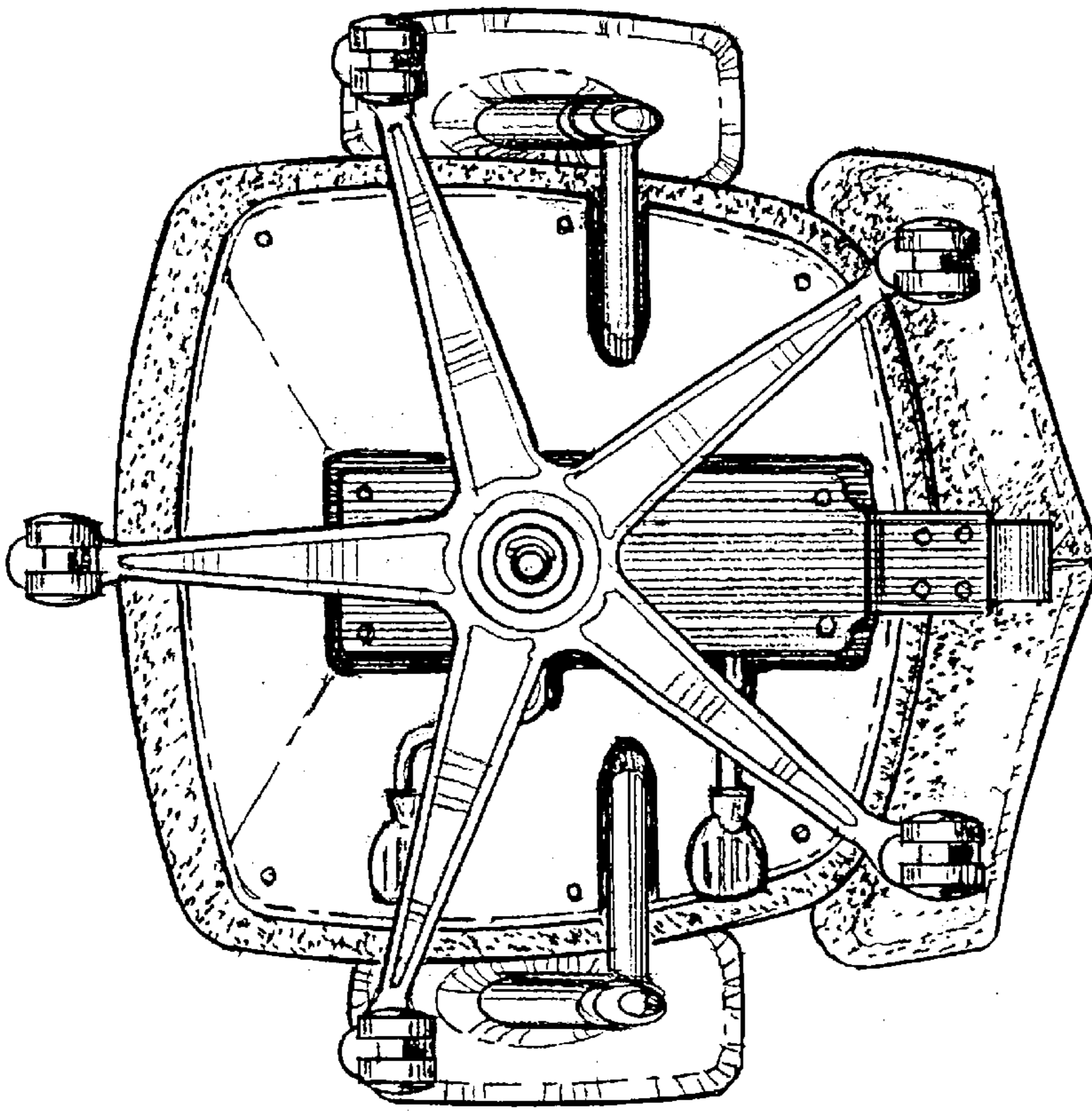


Fig. 7

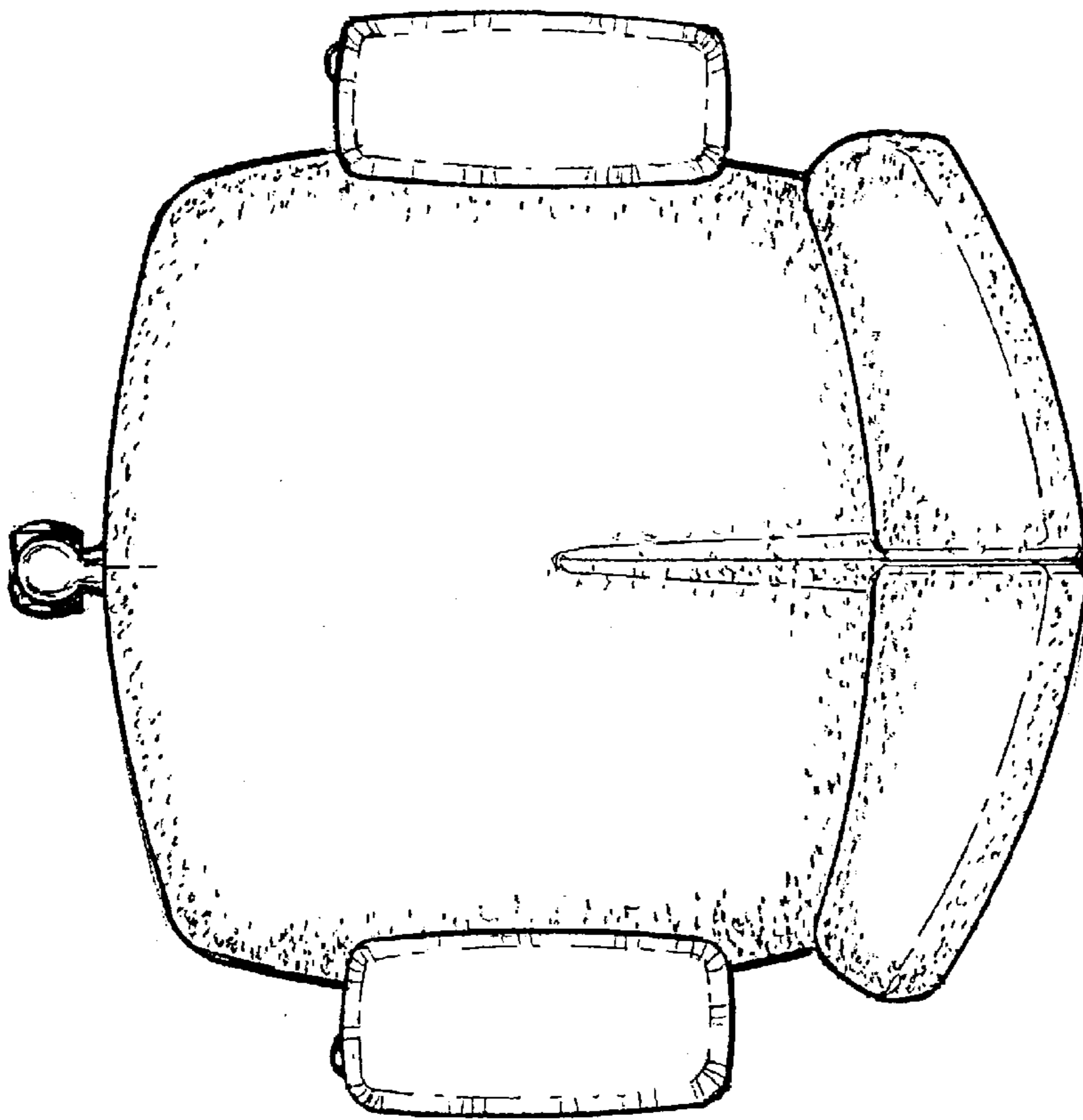


Fig. 6