



US00D490620S

(12) **United States Design Patent**
Delaney

(10) **Patent No.:** **US D490,620 S**

(45) **Date of Patent:** **** Jun. 1, 2004**

(54) **SPRING SEAT**

D389,659 S * 1/1998 Hummel D6/349
D436,748 S 1/2001 Noll
D449,456 S 10/2001 Muller

(75) Inventor: **Michael Christopher Delaney,**
Portland, OR (US)

* cited by examiner

(73) Assignee: **Huntco Supply, LLC,** Portland, OR
(US)

Primary Examiner—Stacia Cadmus

Assistant Examiner—Mimosa De

(**) Term: **14 Years**

(74) *Attorney, Agent, or Firm*—Karen Dana Oster

(21) Appl. No.: **29/188,722**

(57) **CLAIM**

(22) Filed: **Aug. 22, 2003**

The ornamental design for a spring seat, as shown and described.

(51) **LOC (7) Cl.** **02-03**

DESCRIPTION

(52) **U.S. Cl.** **D6/365**

(58) **Field of Search** D6/334, 335, 349,
D6/355, 365, 500-502; 297/196, 264.1,
461, 462; 472/103

FIG. 1 is a perspective view of a spring seat showing my new design.

FIG. 2 is a front elevational view of the spring seat.

FIG. 3 is a back elevational view of the spring seat.

FIG. 4 is a top view of the spring seat.

FIG. 5 is a bottom view of the spring seat; and,

FIG. 6 is a right side view of the spring seat, the left side view being a mirror image of this view.

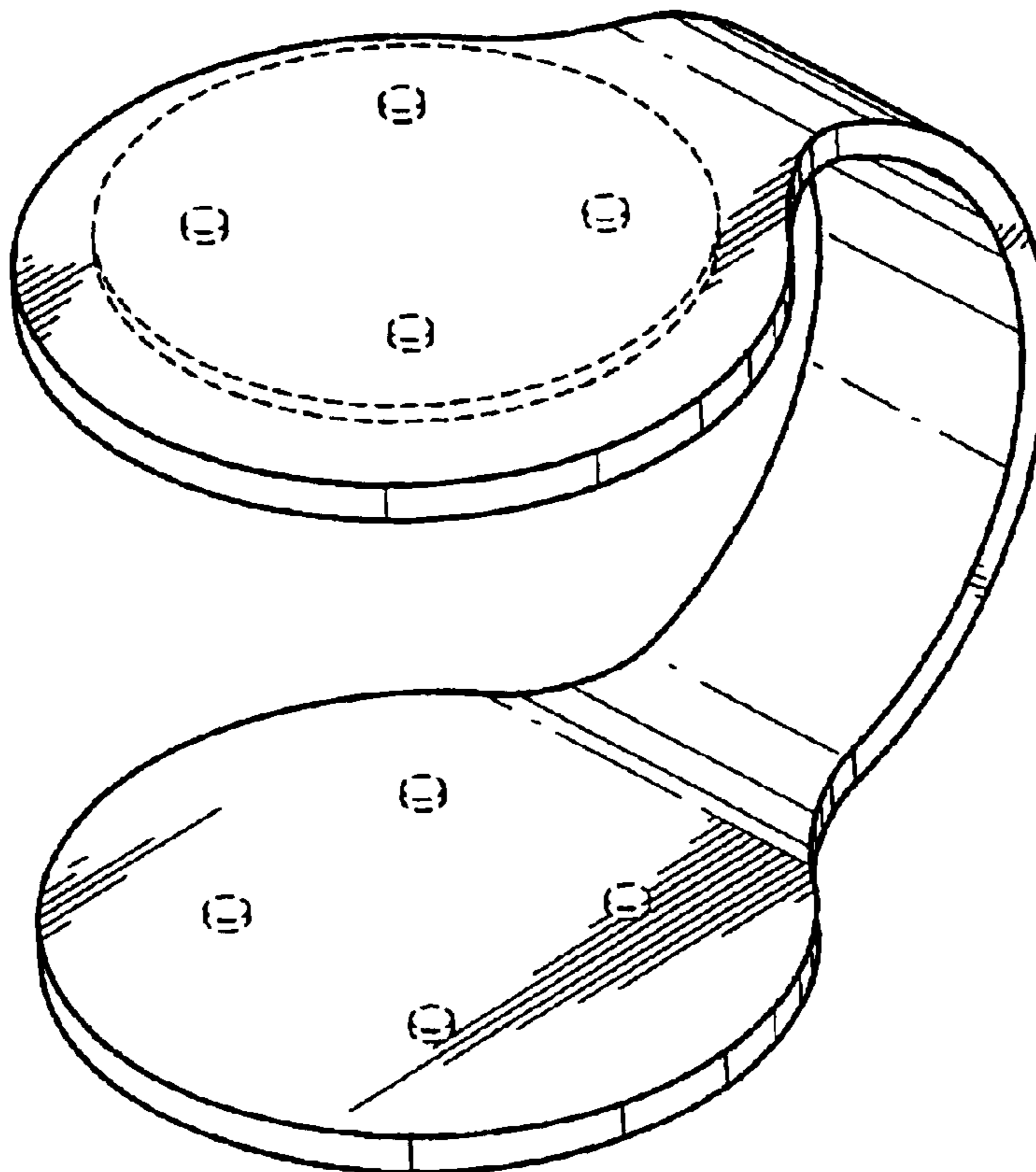
The broken line depictions of the raised portion of the top of the spring seat and bolts in FIGS. 1-6 are for illustrative purposes only and form no part of the claimed design.

(56) **References Cited**

U.S. PATENT DOCUMENTS

380,891 A * 4/1888 Hebbard 297/264.1
4,079,929 A * 3/1978 Varnum 472/103
D267,600 S * 1/1983 Hickey D6/349
D298,987 S 12/1988 Tiffany
D305,965 S * 2/1990 Mulhauser D6/349
D313,896 S * 1/1991 Kaye D6/365

1 Claim, 2 Drawing Sheets



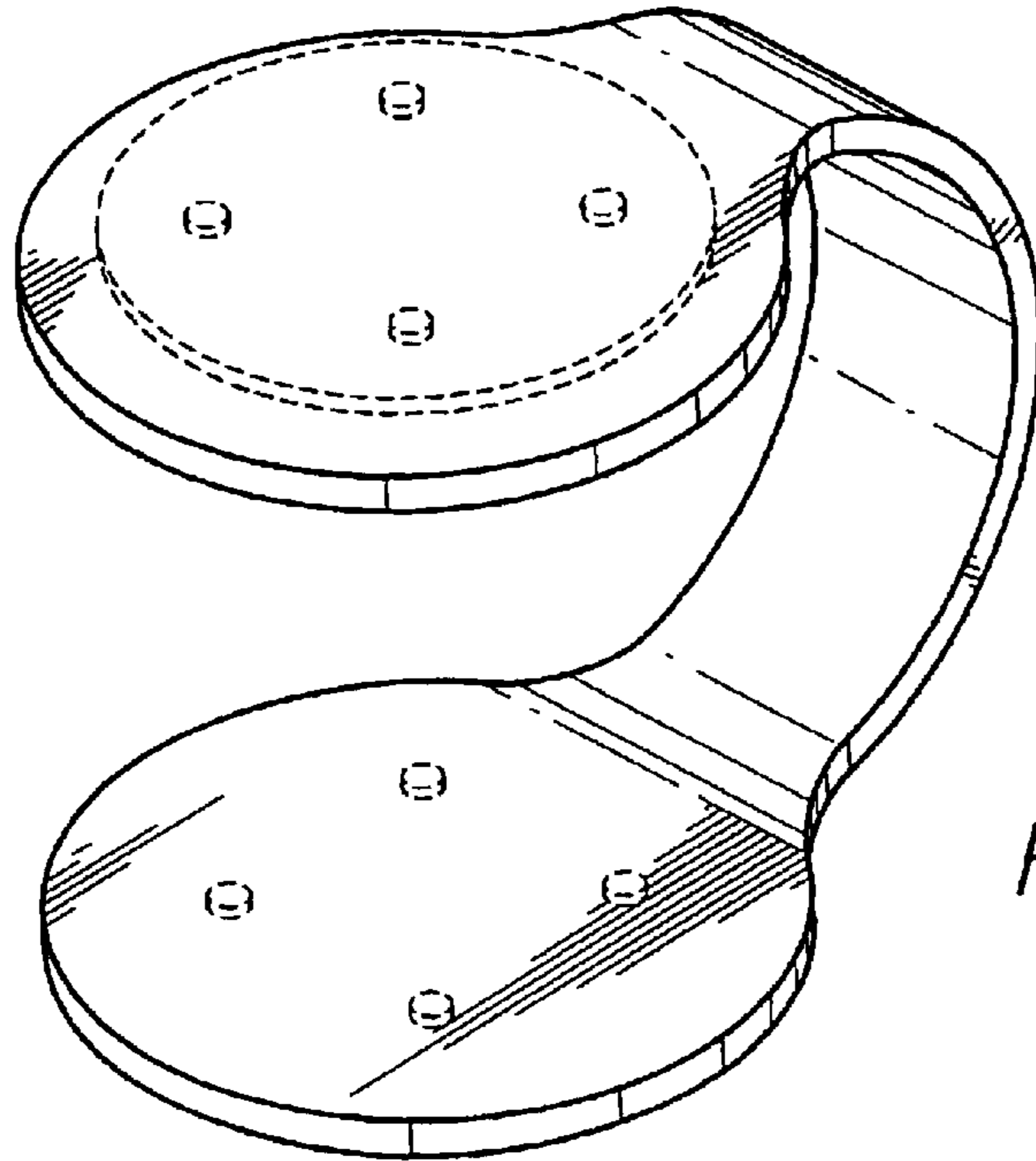


FIG. 1

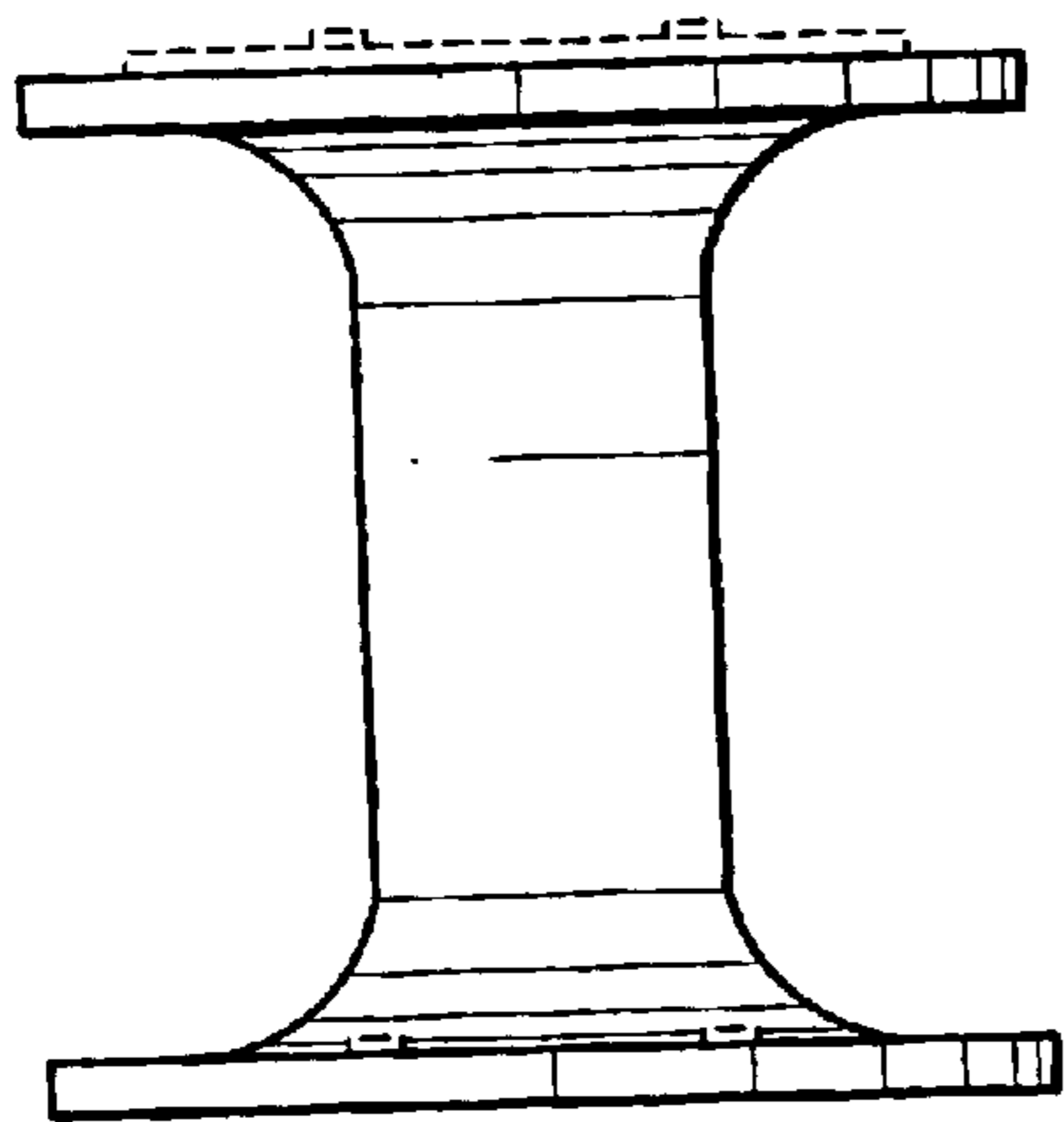


FIG. 2

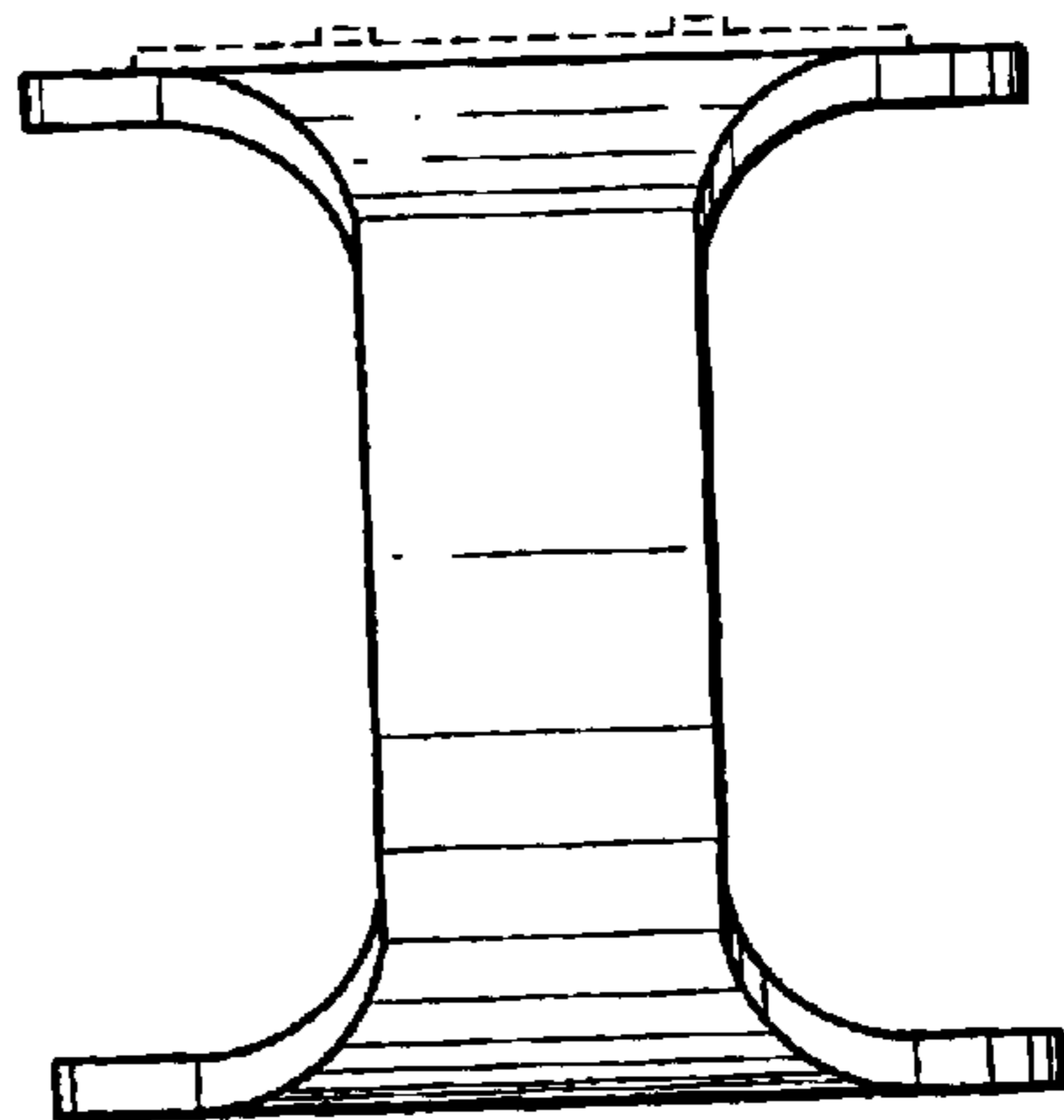


FIG. 3

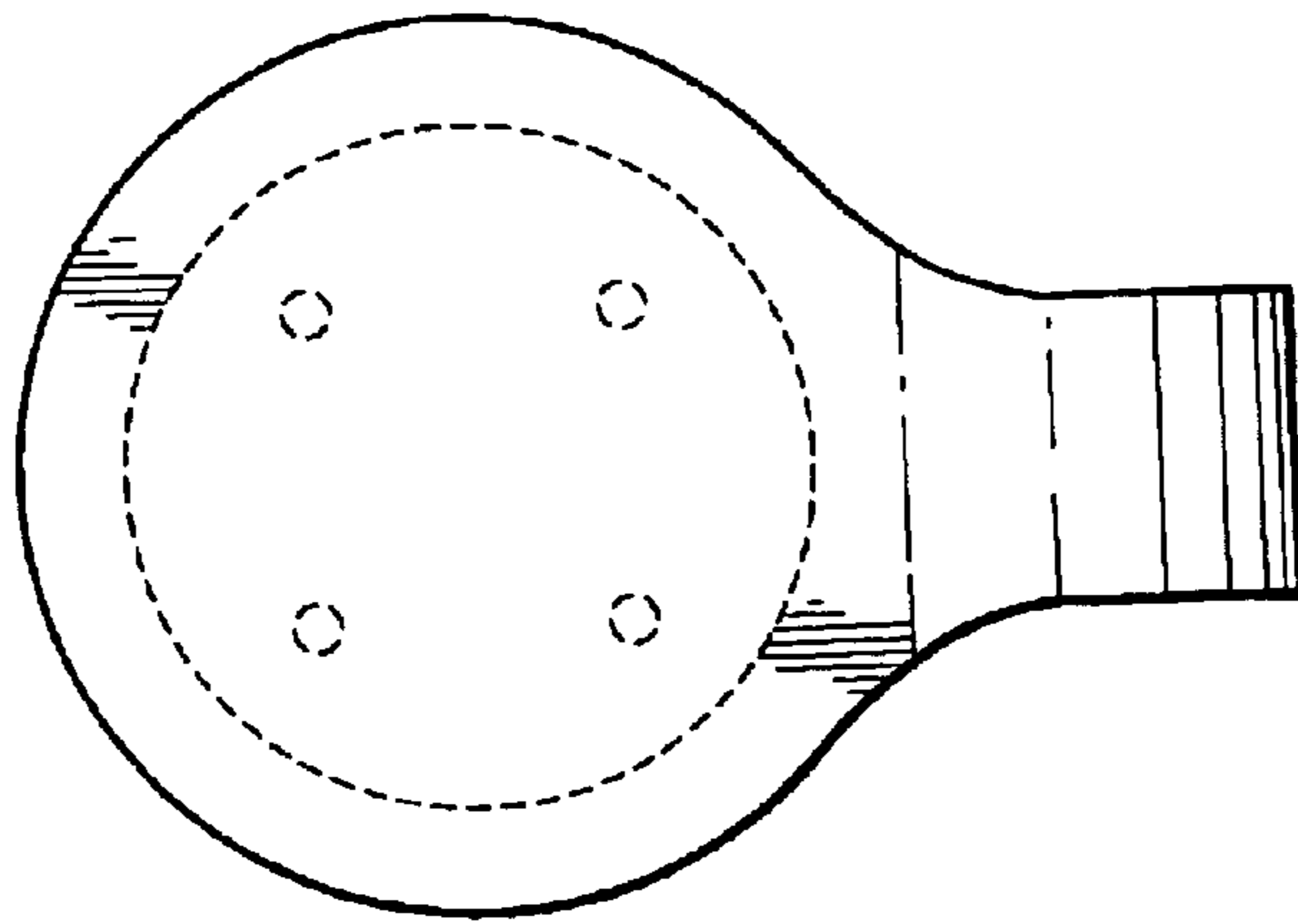


FIG. 4

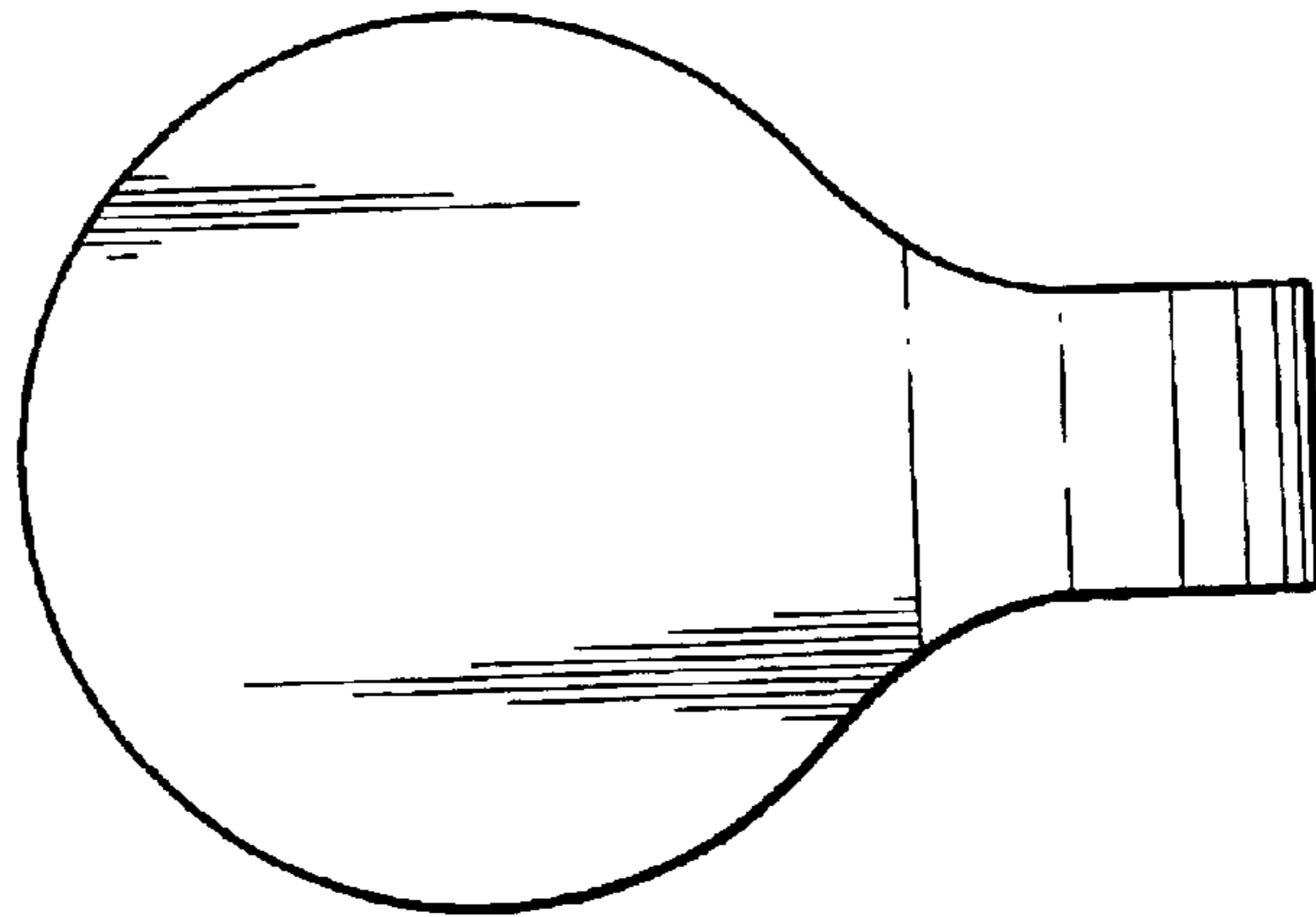


FIG. 5

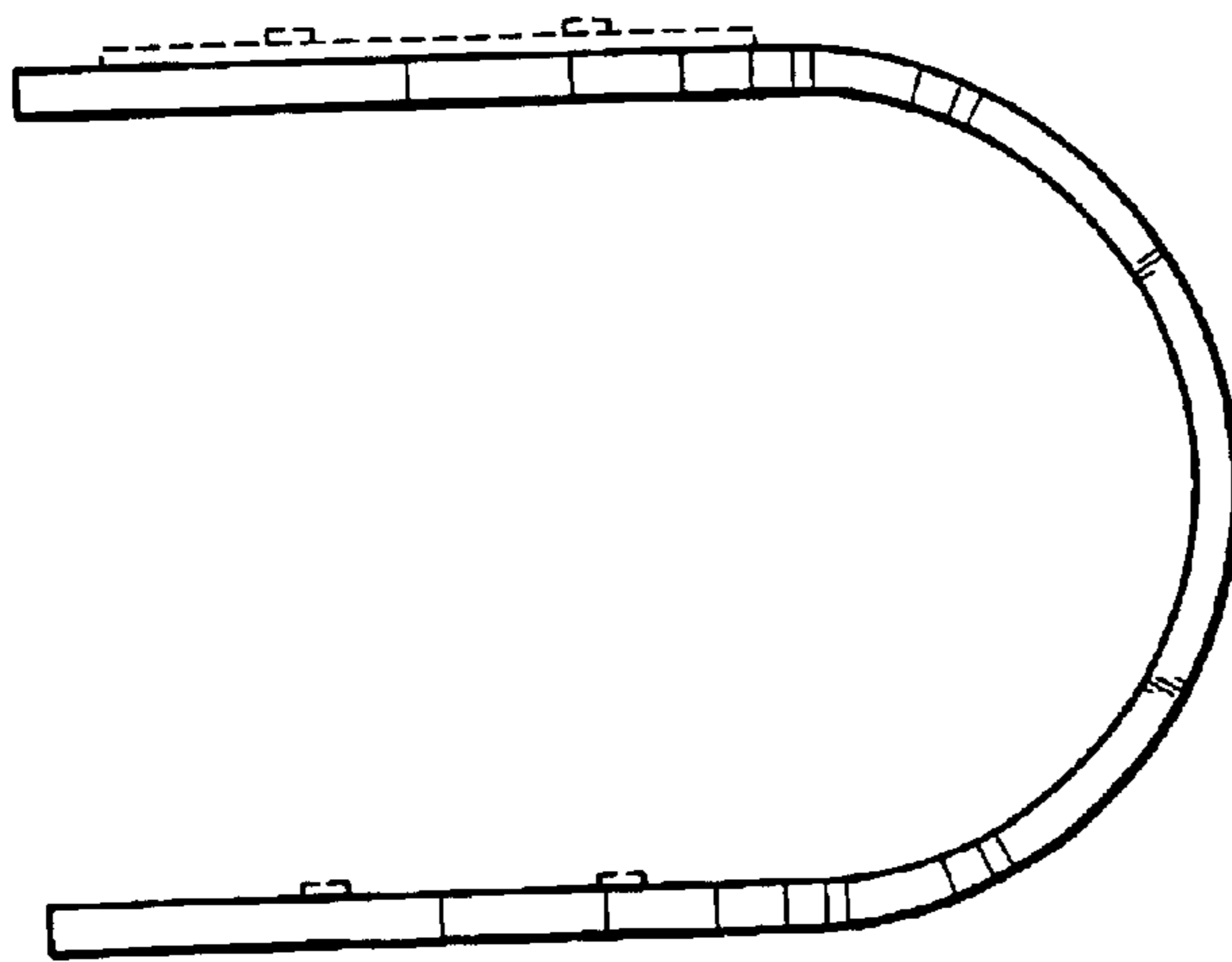


FIG. 6