



US00D490617S

(12) **United States Design Patent**
Lowman

(10) **Patent No.:** **US D490,617 S**

(45) **Date of Patent:** **** Jun. 1, 2004**

(54) **CHAIR**

(75) Inventor: **Darrell Grady Lowman**, Hickory, NC
(US)

(73) Assignee: **La-Z-Boy Incorporated**, Monroe, MI
(US)

(**) Term: **14 Years**

(21) Appl. No.: **29/178,988**

(22) Filed: **Apr. 2, 2003**

(51) **LOC (7) Cl.** **06-01**

(52) **U.S. Cl.** **D6/335; D6/334; D6/367**

(58) **Field of Search** **D6/334-336, 360,**
D6/364, 365, 367, 381, 500-502; 297/68,
232, 273, 281, 445.1, DIG. 7

(56) **References Cited**

U.S. PATENT DOCUMENTS

D454,704 S	*	3/2002	Lewis et al.	D6/334
D474,901 S	*	5/2003	Lewis	D6/335
D474,903 S	*	5/2003	Lewis et al.	D6/335
D476,491 S	*	7/2003	Lewis et al.	D6/335

* cited by examiner

Primary Examiner—Doris V. Coles

Assistant Examiner—Mimosa De

(74) *Attorney, Agent, or Firm*—Harness, Dickey & Pierce,
P.L.C.

(57) **CLAIM**

The ornamental design for a chair, as shown and described.

DESCRIPTION

FIG. 1 is a front perspective view of a chair in accordance with the present invention;

FIG. 2 is a front elevational view of the present invention;

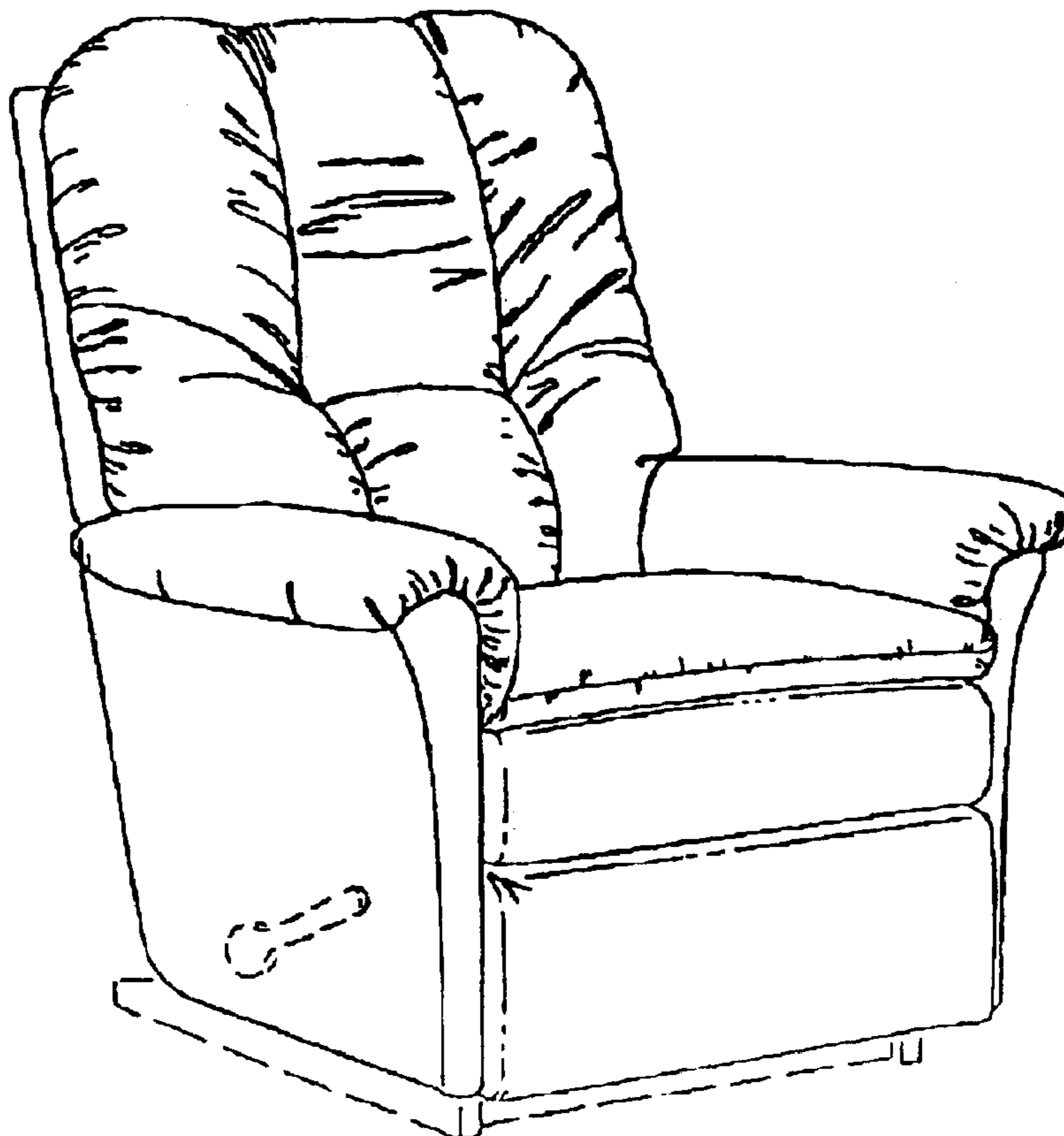
FIG. 3 is a right side elevational view of the present invention, the left side elevational view being a mirror image thereof; and

FIG. 4 is a top plan view of the present invention; and,

FIG. 5 is a rear elevational view of the present invention.

It will be understood that the bottom view is not illustrated as it forms no part of the claimed design, and that the broken lines shown in the figures illustrate structure associated with the present invention but also form no part of the claimed design.

1 Claim, 2 Drawing Sheets



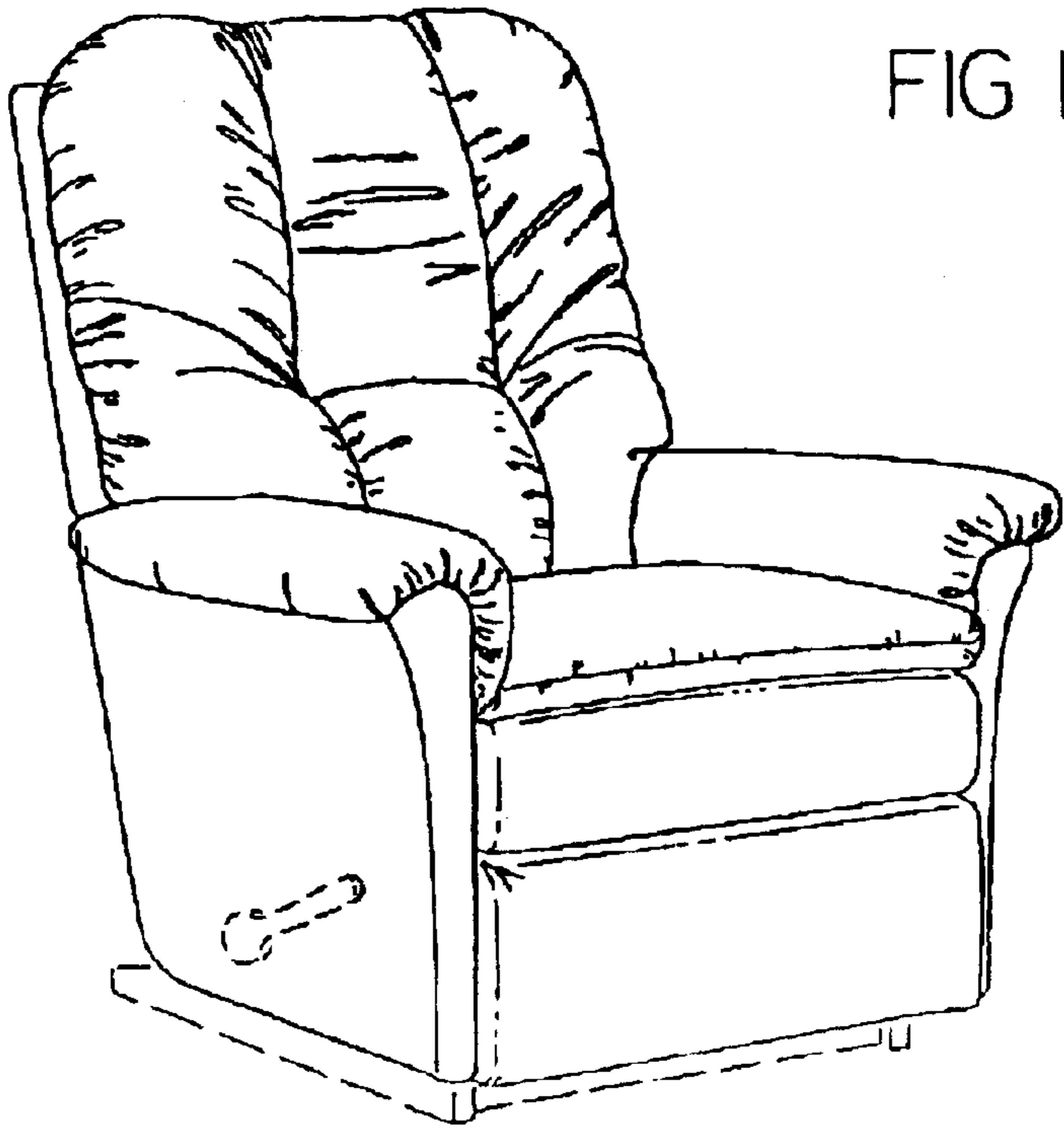


FIG 1

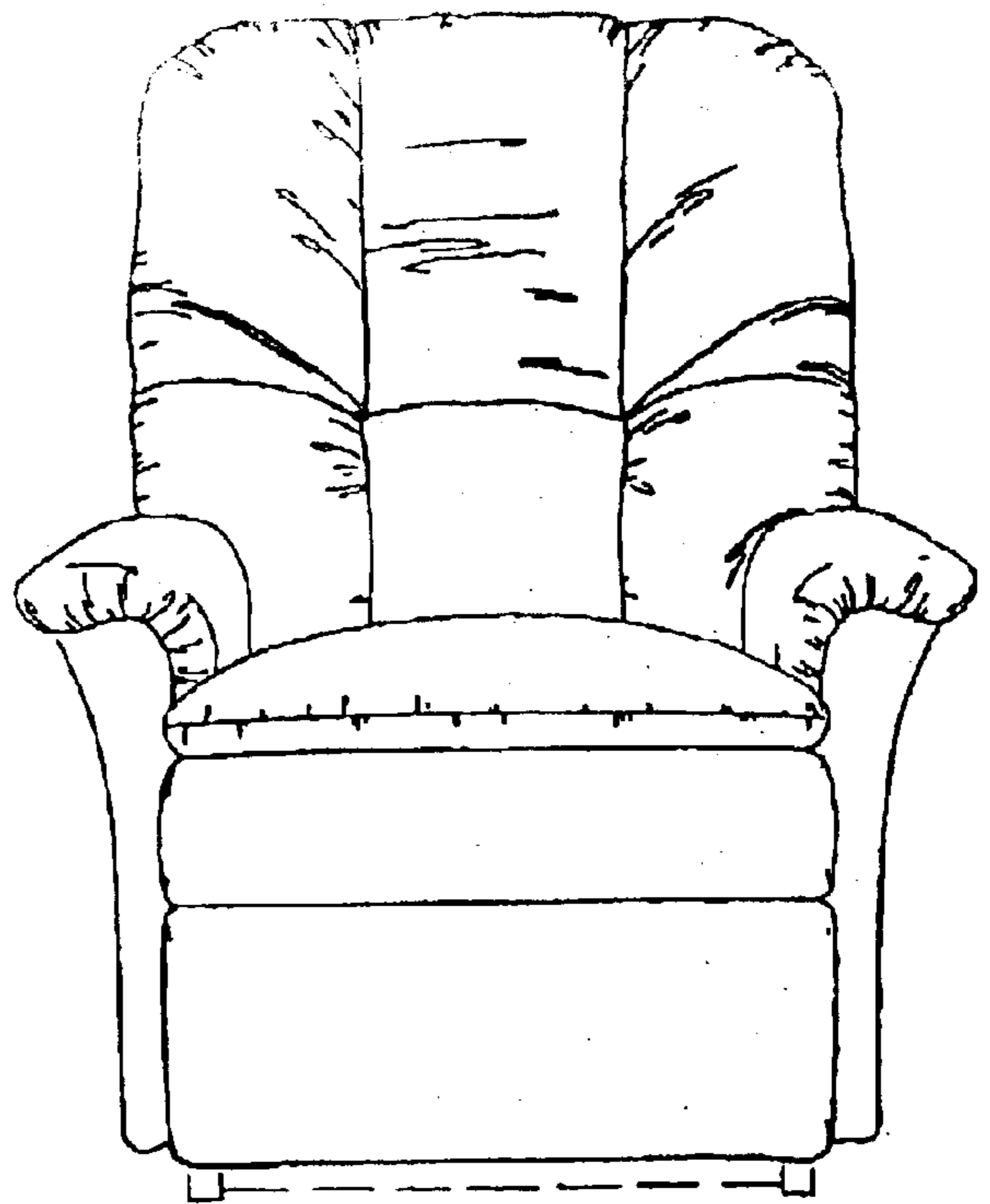


FIG 2

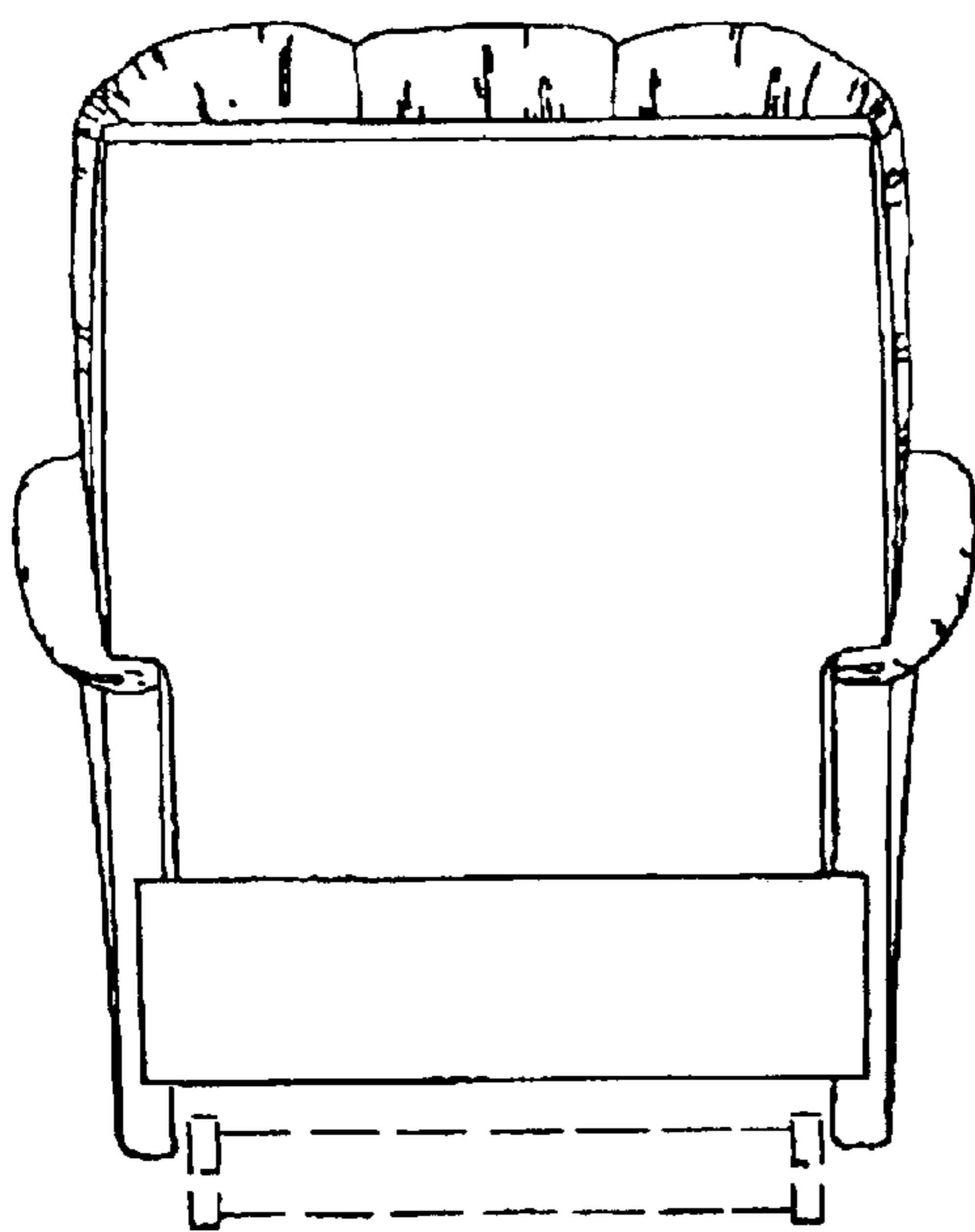
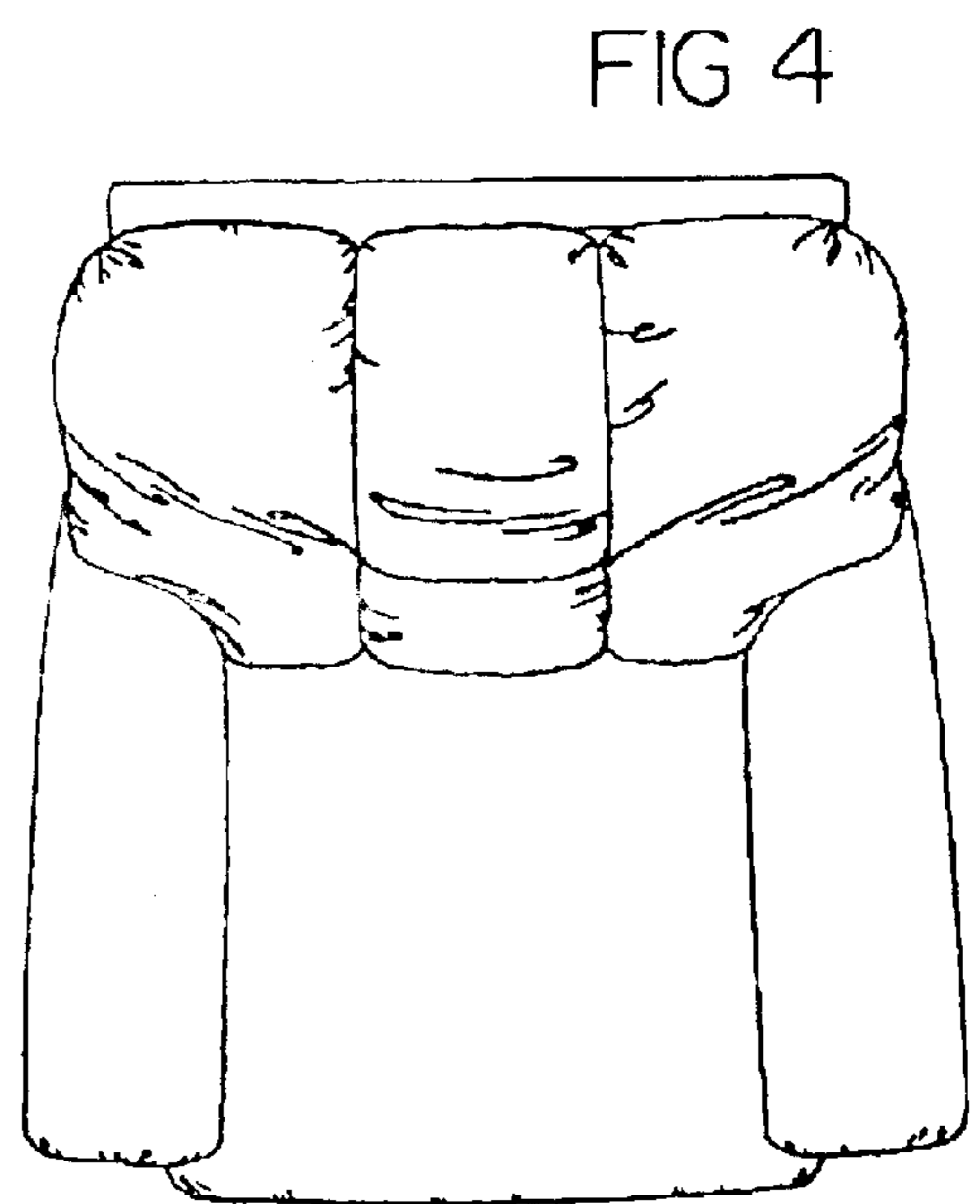
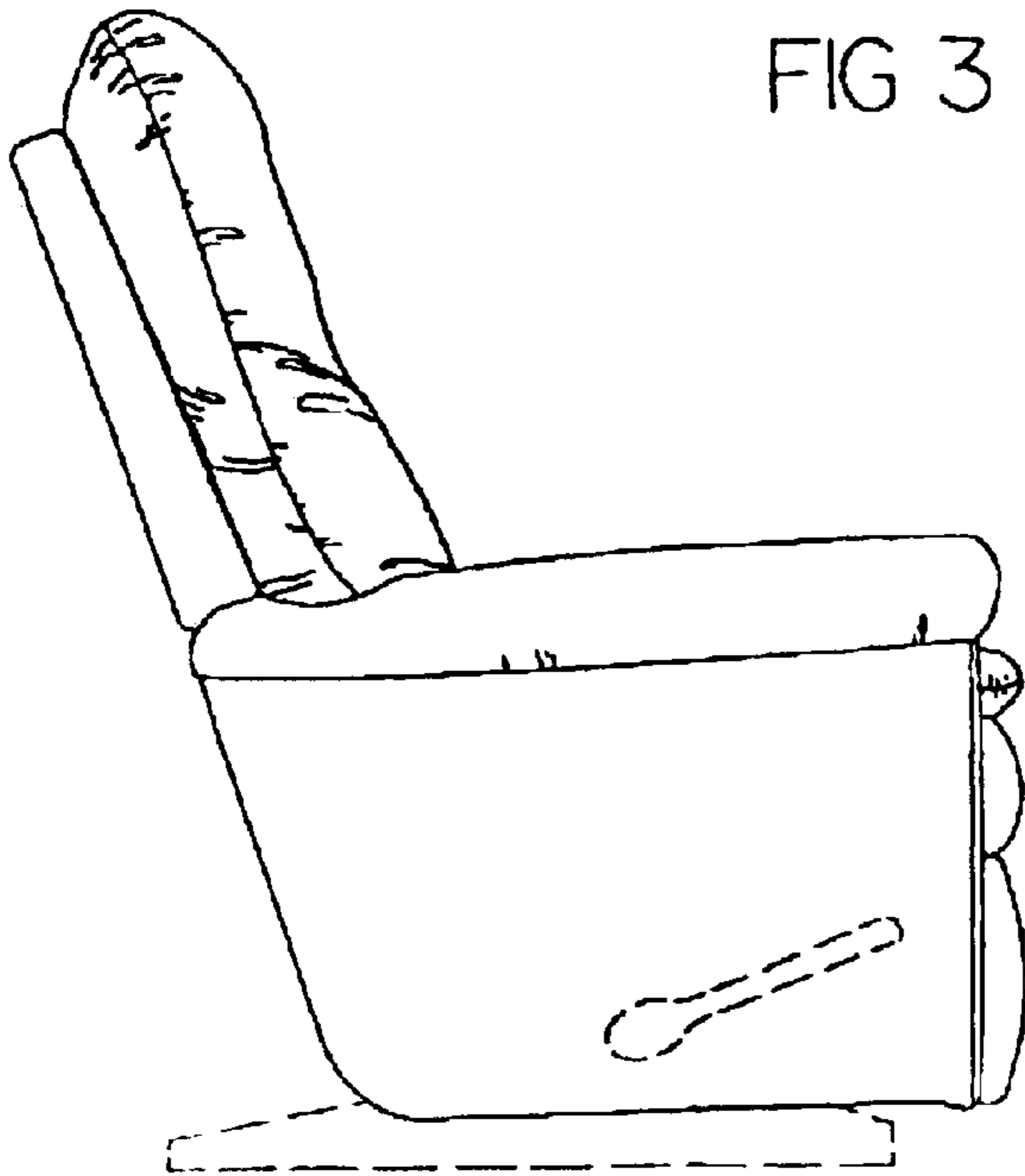


FIG 5