



US00D490615S

(12) **United States Design Patent**  
**Cheynet**

(10) **Patent No.:** **US D490,615 S**

(45) **Date of Patent:** **\*\* Jun. 1, 2004**

(54) **TEXTILE BAND WITH SILICONE PATTERNS**

(76) **Inventor:** **René Cheynet**, 8 ter, rue du Stade,  
43240 Saint-Just-Malmont (FR)

(\*\*) **Term:** **14 Years**

(21) **Appl. No.:** **29/165,490**

(22) **Filed:** **Aug. 12, 2002**

(51) **LOC (7) Cl.** ..... **05-04**

(52) **U.S. Cl.** ..... **D5/7**

(58) **Field of Search** ..... D5/1, 2, 3, 7,  
D5/8, 11, 19, 20, 23, 25, 30, 32, 41, 45,  
46, 47, 49, 50, 52, 53, 54, 55, 56, 57, 58,  
59, 60, 61, 62, 63, 64, 99; D2/749, 994;  
D6/582, 583, 595, 596, 598, 603, 604,  
605, 608, 613, 616, 617, 622; D24/124,  
125; D25/142, 152; 428/17, 18, 151, 154,  
156, 171, 187, 198, 199, 540, 542.2, 542.6,  
904.4, 919; 5/413 AM, 709; D7/396.4,  
396.5; 162/134, 231, 140; 156/209, 148

(56) **References Cited**

**U.S. PATENT DOCUMENTS**

D12,086 S \* 1/1881 Graham ..... D5/7

D12,087 S \* 1/1881 Graham ..... D5/7  
D19,531 S \* 12/1889 Salathe ..... D5/7  
D22,924 S \* 11/1893 Bloomberg ..... D5/7  
D29,206 S \* 8/1898 Stedwell ..... D5/7  
D33,406 S \* 10/1900 Schloss ..... D5/7  
D50,136 S \* 1/1917 Kremer ..... D5/7  
D316,202 S \* 4/1991 Farley ..... D6/596  
D453,880 S \* 2/2002 Cheynet ..... D5/47  
D455,014 S \* 4/2002 Cheynet ..... D5/7

\* cited by examiner

*Primary Examiner*—Doris V. Coles

*Assistant Examiner*—T. Chase Nelson

(74) *Attorney, Agent, or Firm*—Duane Morris LLP

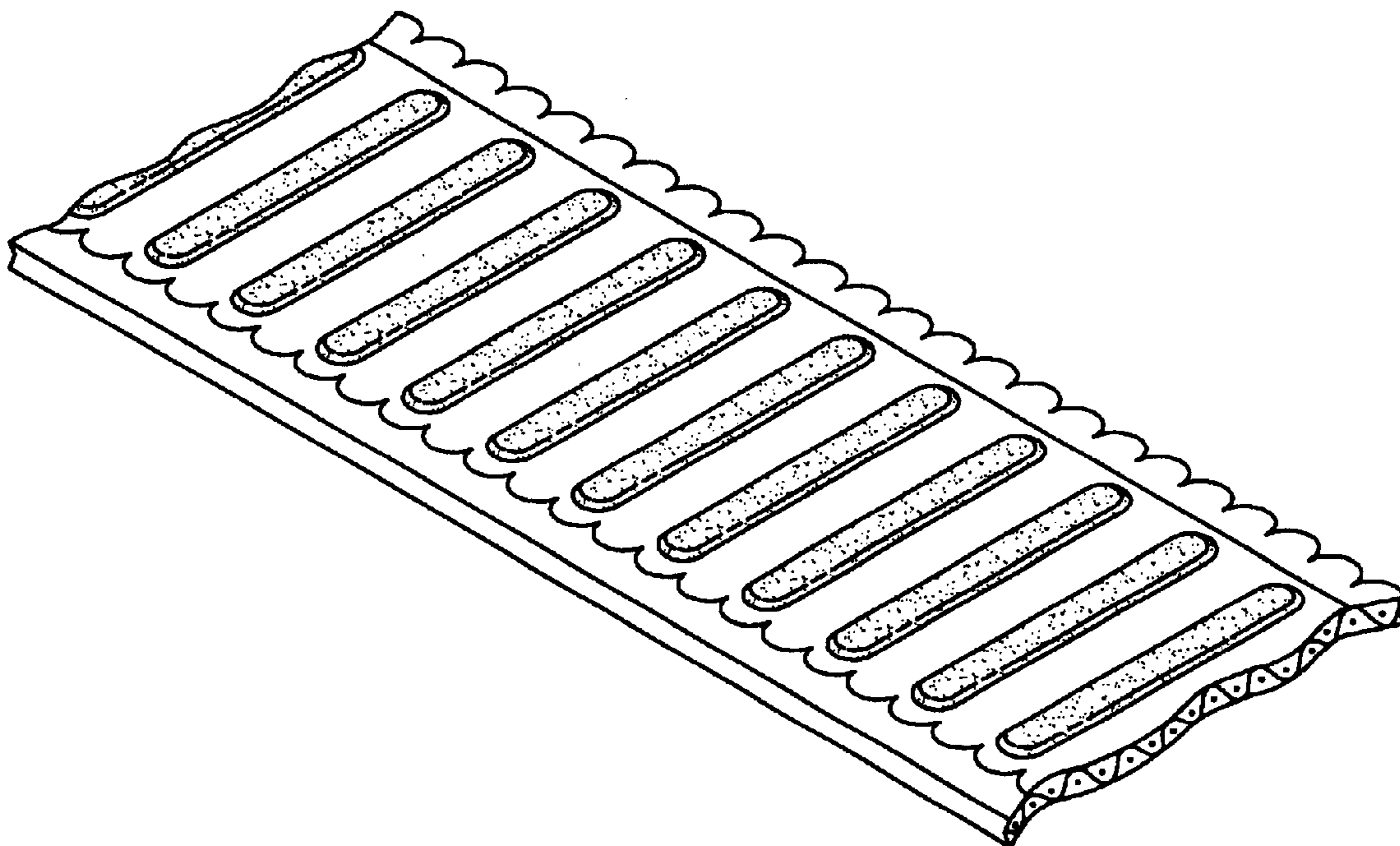
(57) **CLAIM**

The ornamental design for textile band with silicon patterns,  
as shown and described.

**DESCRIPTION**

FIG. 1 is a perspective view of a textile band with silicone  
patterns according to the inventive design;  
FIG. 2 is a front elevational view thereof;  
FIG. 3 is a rear elevational view thereof;  
FIG. 4 is a right side elevational view thereof;  
FIG. 5 is a top plan view thereof; and,  
FIG. 6 is a bottom plan view thereof.

**1 Claim, 2 Drawing Sheets**



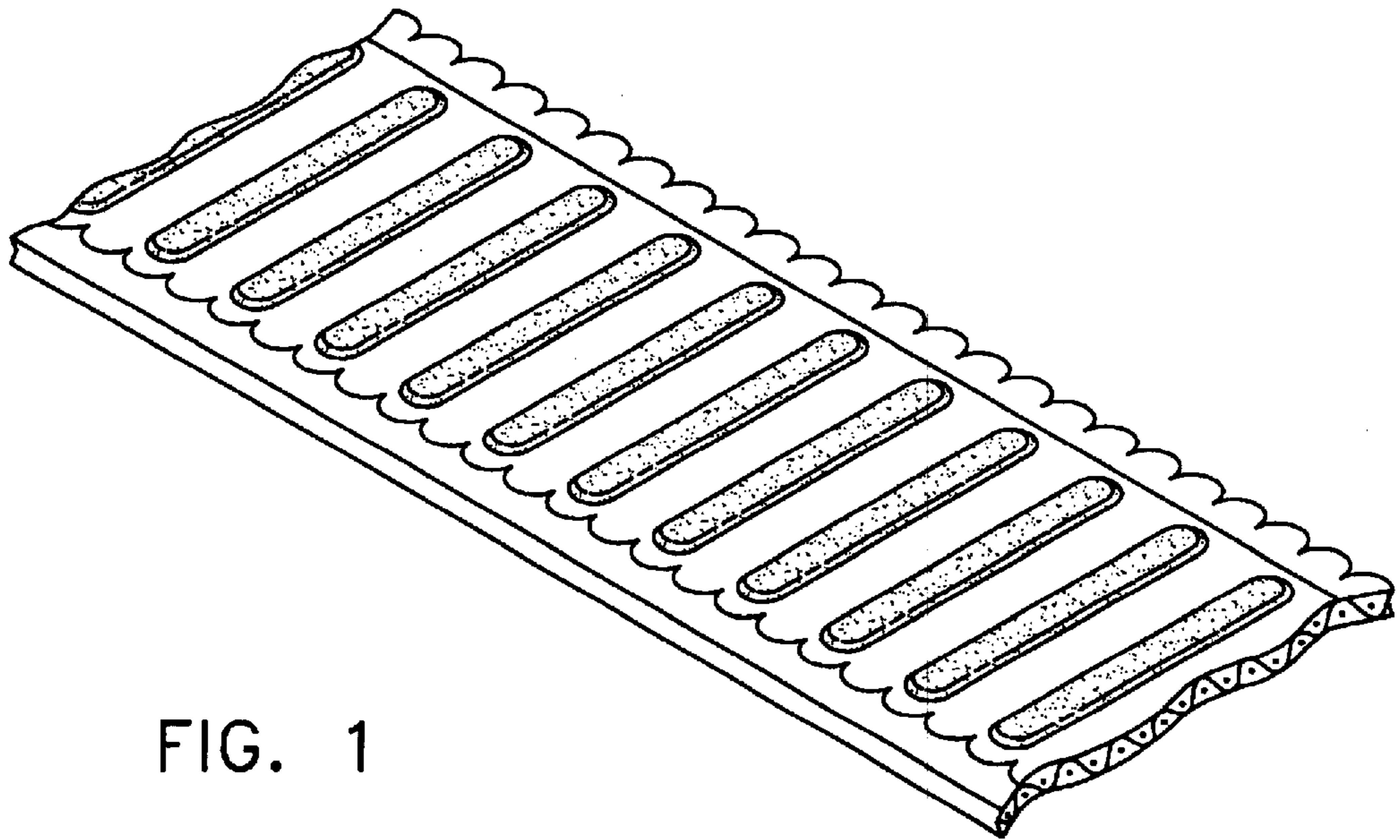


FIG. 1



FIG. 2



FIG. 3

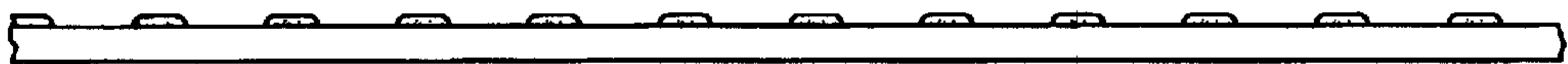


FIG. 4

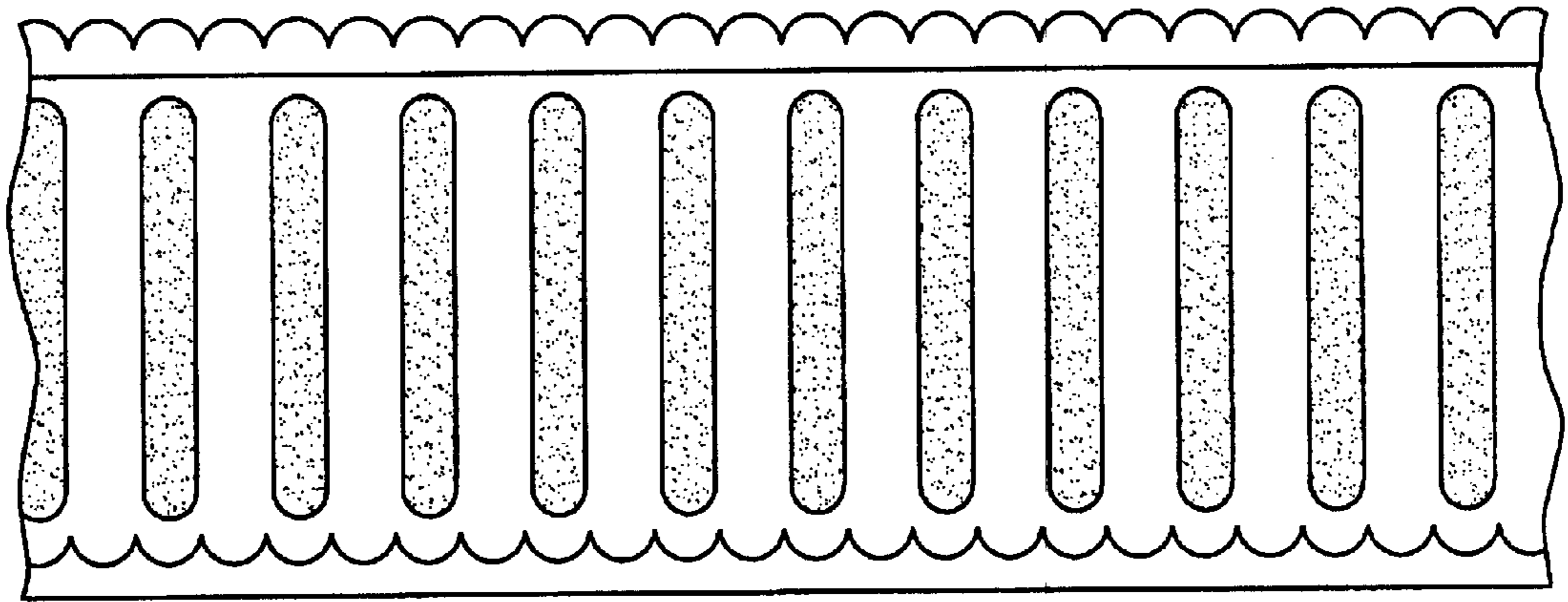


FIG. 5

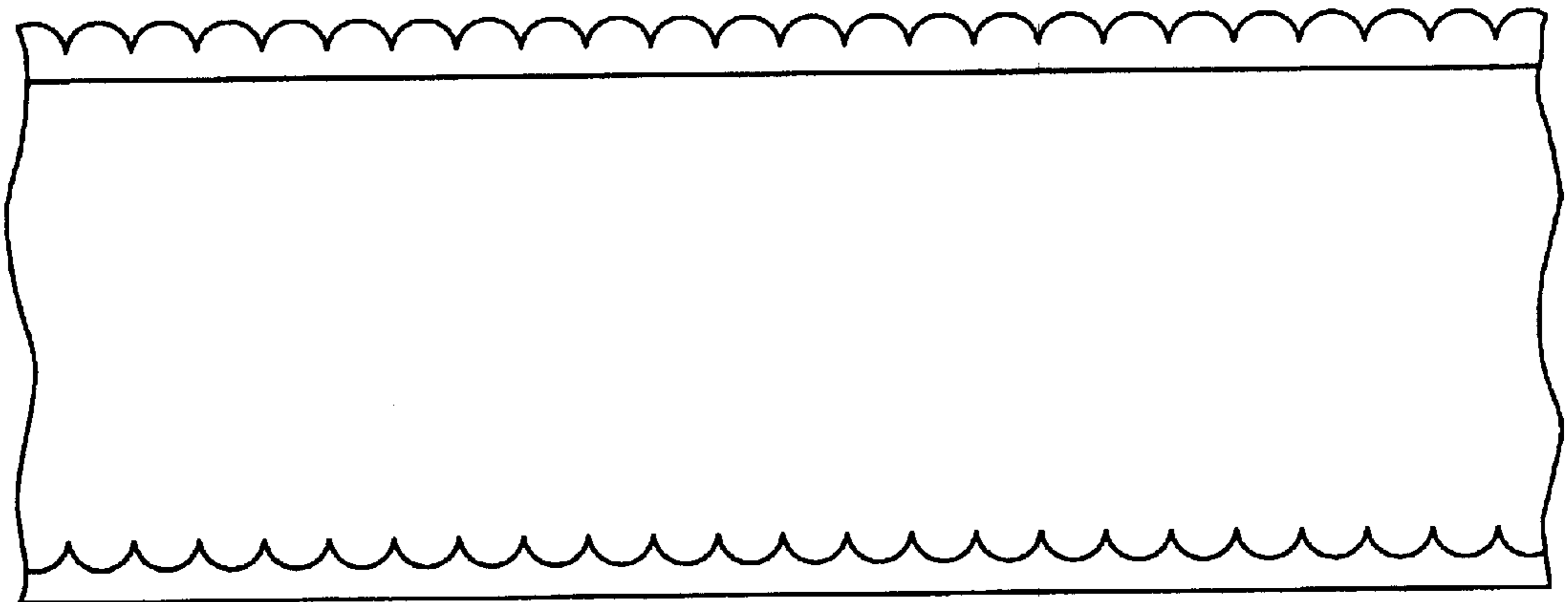


FIG. 6