



US00D490614S

(12) **United States Design Patent**
Katz et al.

(10) **Patent No.:** **US D490,614 S**

(45) **Date of Patent:** **** Jun. 1, 2004**

(54) **BRUSH**

(76) Inventors: **Robert Katz**, 3570 Ridgewood, Apt.
#305, Montreal (CA), H3V 1C2;
Sylvain Duchesne, 1026 Miltimore St.,
Bromont, Quebec (CA), J2L 2A8

(**) Term: **14 Years**

(21) Appl. No.: **29/183,022**

(22) Filed: **Jun. 5, 2003**

(51) **LOC (7) Cl.** **04-02**

(52) **U.S. Cl.** **D4/127; D4/137; D4/138;**
D28/7; D28/63

(58) **Field of Search** D4/127, 132, 134,
D4/137, 138; D32/40, 51; 15/143.1, 159.1,
160, 208, 209.1, 210.1, 244.1, 244.3; D24/119;
D28/7, 63; 401/6; 601/136-138

(56) **References Cited**

U.S. PATENT DOCUMENTS

D180,848 S * 8/1957 Scholl D4/134
D183,065 S * 6/1958 Schotland D28/63
D294,202 S * 2/1988 Adair D4/114

D299,558 S * 1/1989 Robison D28/7
D323,568 S * 1/1992 Hackler D28/63
5,388,700 A * 2/1995 Per-Lee 15/244.3 X
6,045,279 A * 4/2000 Follis 401/6
2002/0131806 A1 9/2002 Katz

* cited by examiner

Primary Examiner—Alan P. Douglas
Assistant Examiner—Lavone D. Tabor

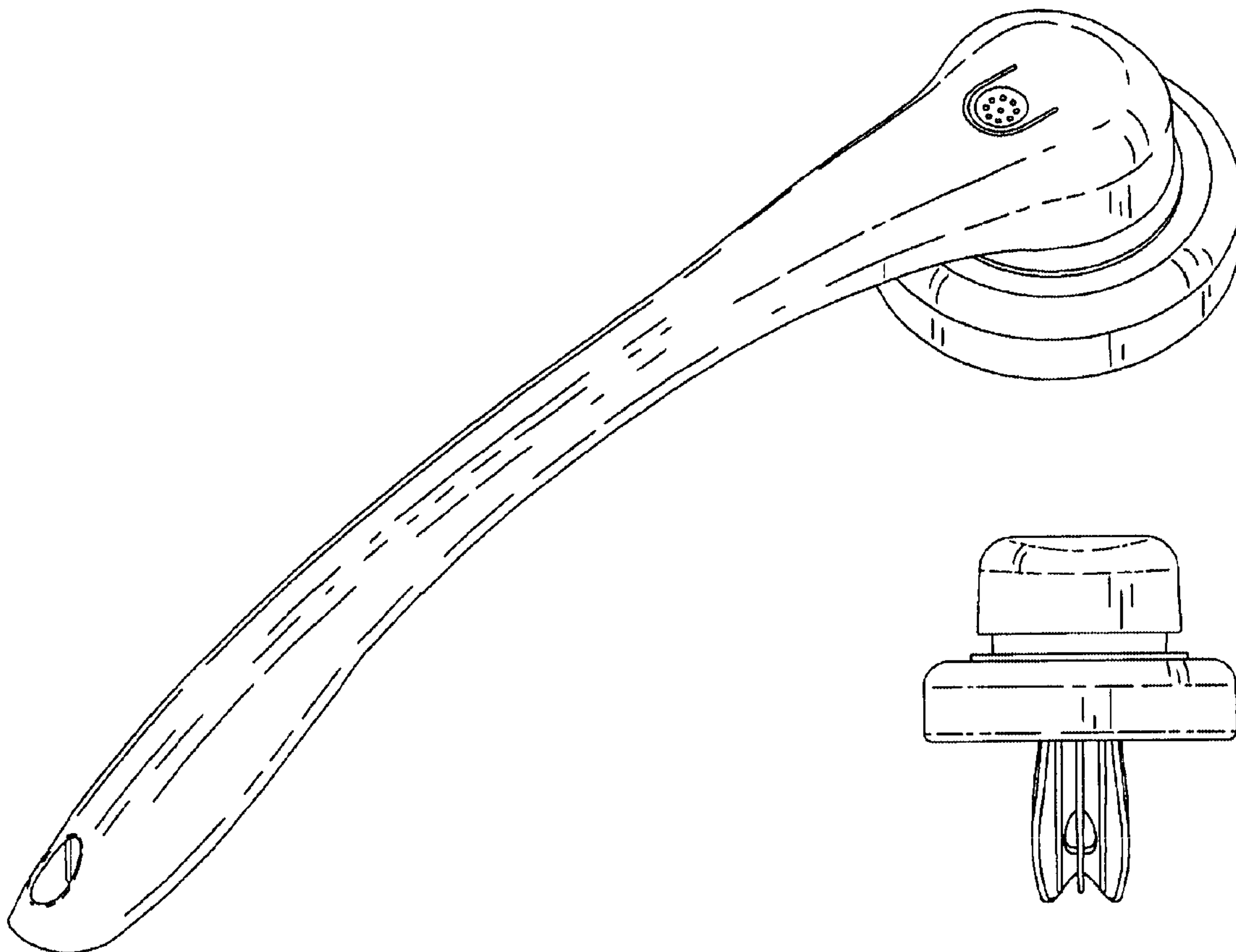
(57) **CLAIM**

The ornamental design for the brush, as shown and described.

DESCRIPTION

FIG. 1 is a top perspective view of the brush;
FIG. 2 is a top view of the brush;
FIG. 3 is a left side view of the brush, the right side view
being identical but reversed;
FIG. 4 is a front view of the brush;
FIG. 5 is a rear view of the brush;
FIG. 6 is a bottom view of the brush; and,
FIG. 7 is a cross-section view taken along line 7—7 in FIG.
3.

1 Claim, 4 Drawing Sheets



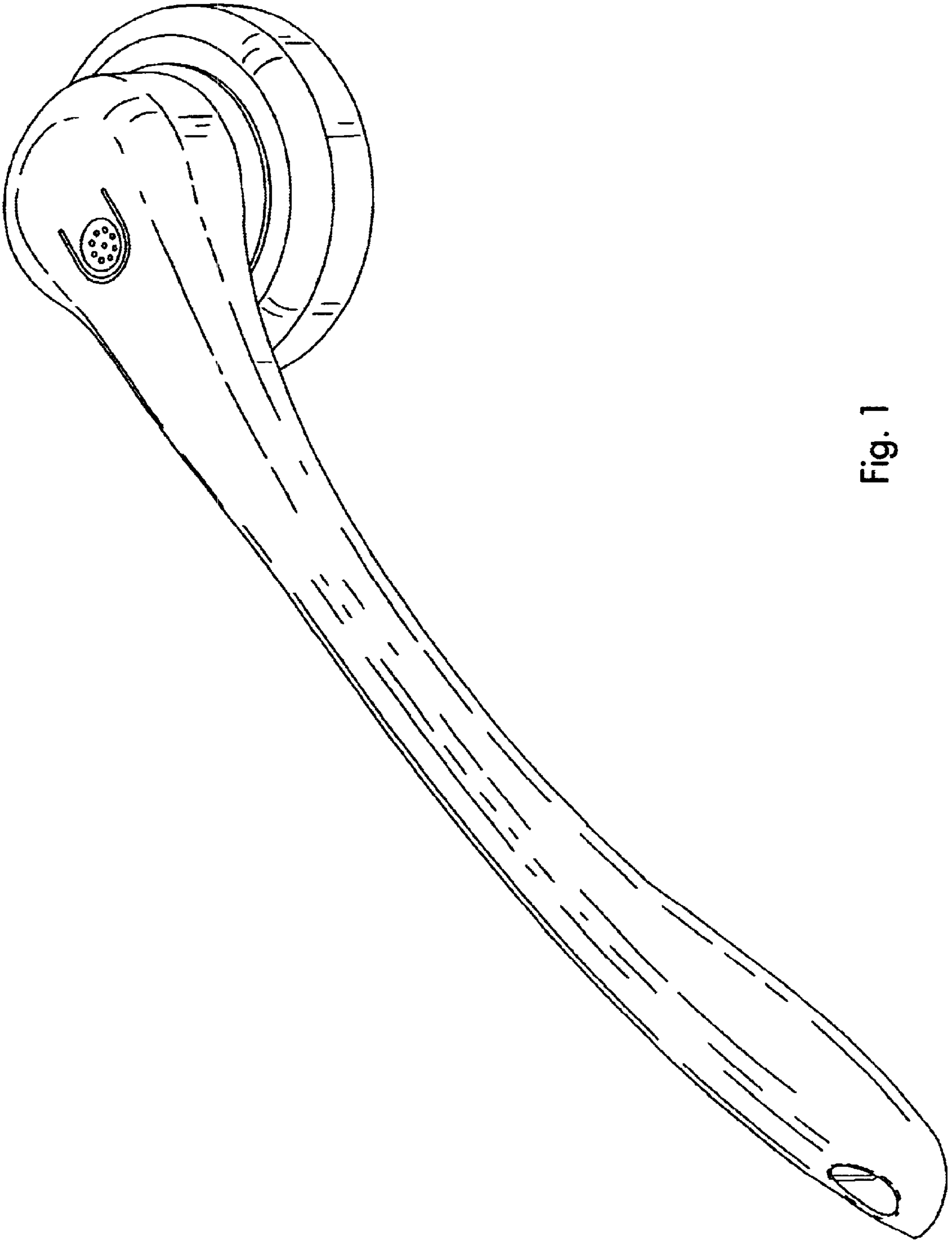


Fig. 1

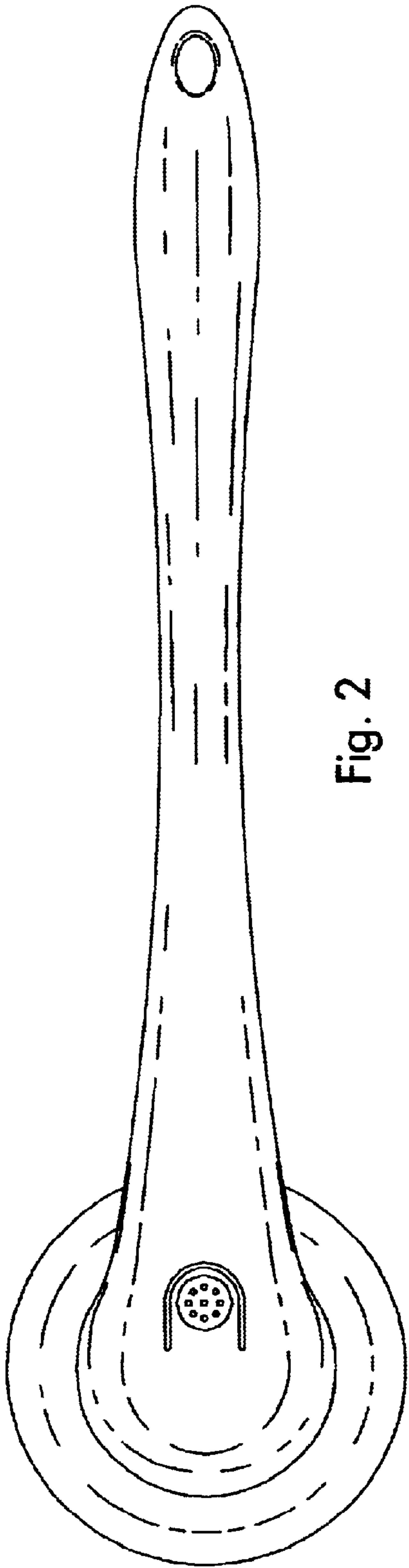


Fig. 2

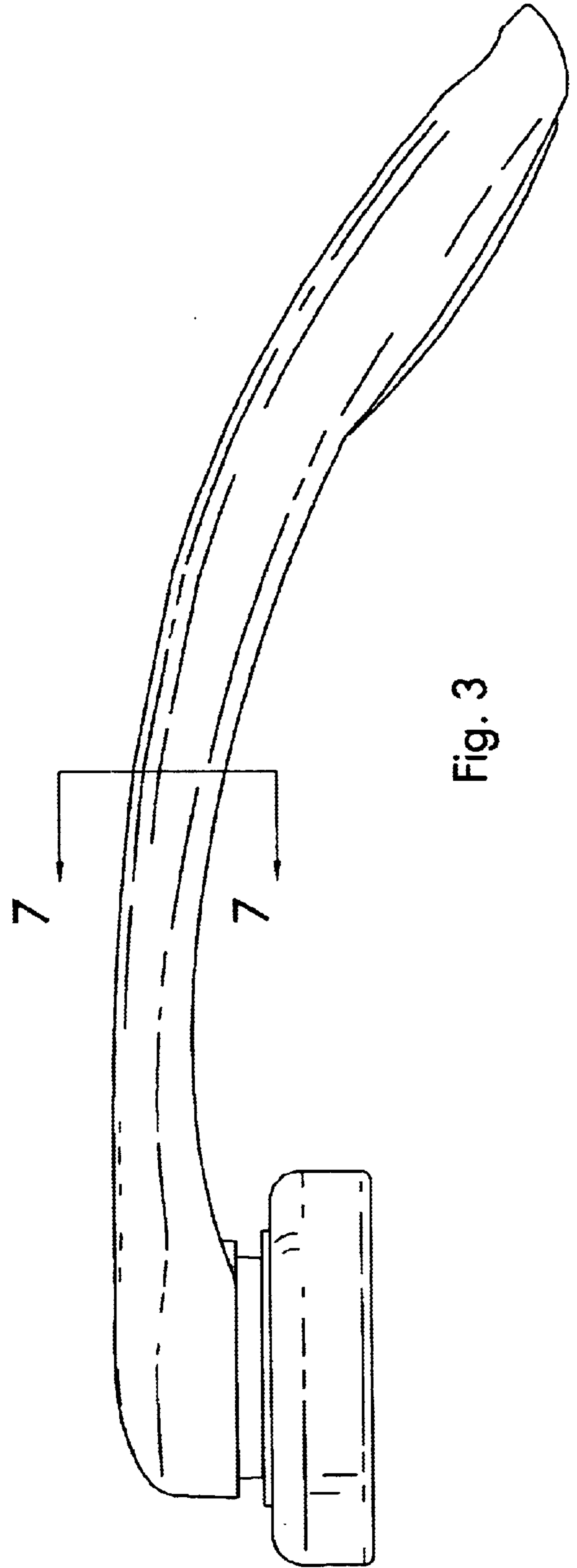


Fig. 3

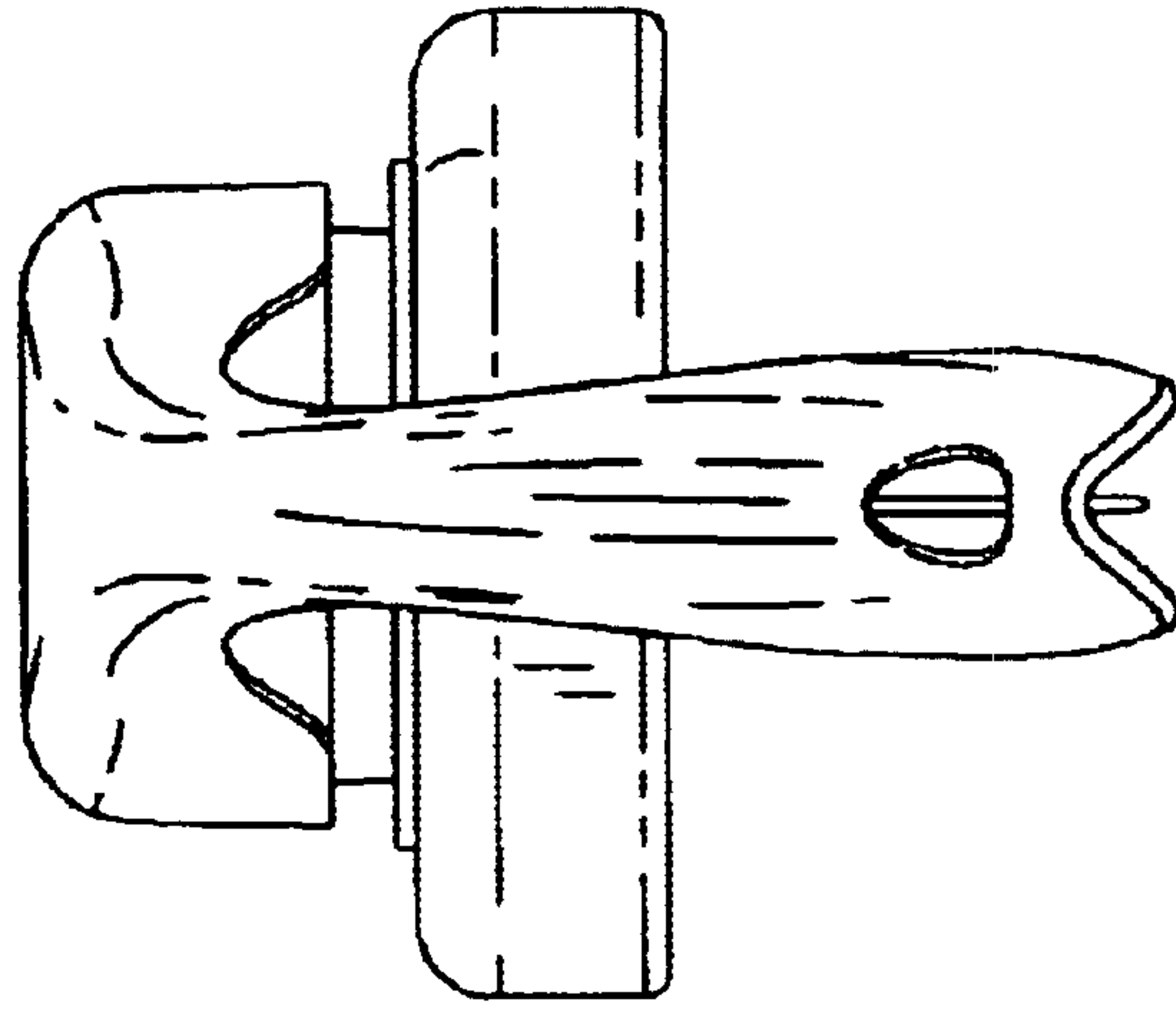


Fig. 5

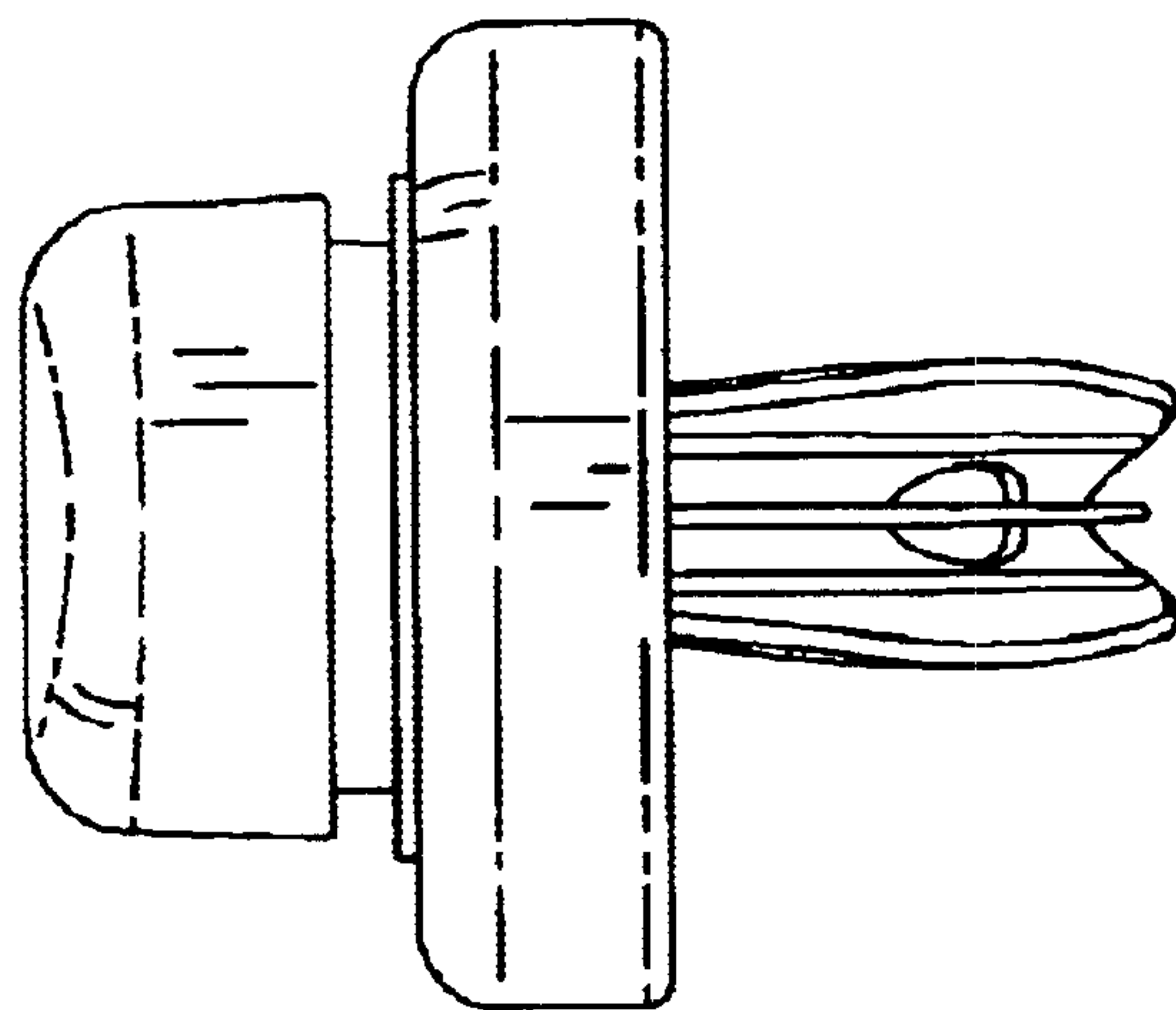


Fig. 4

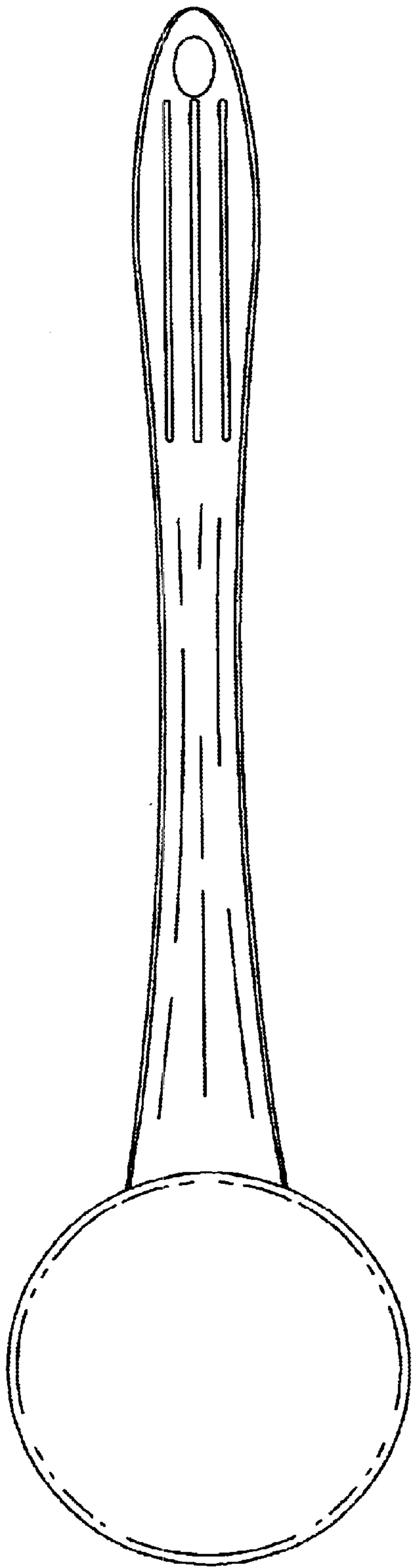


Fig. 6

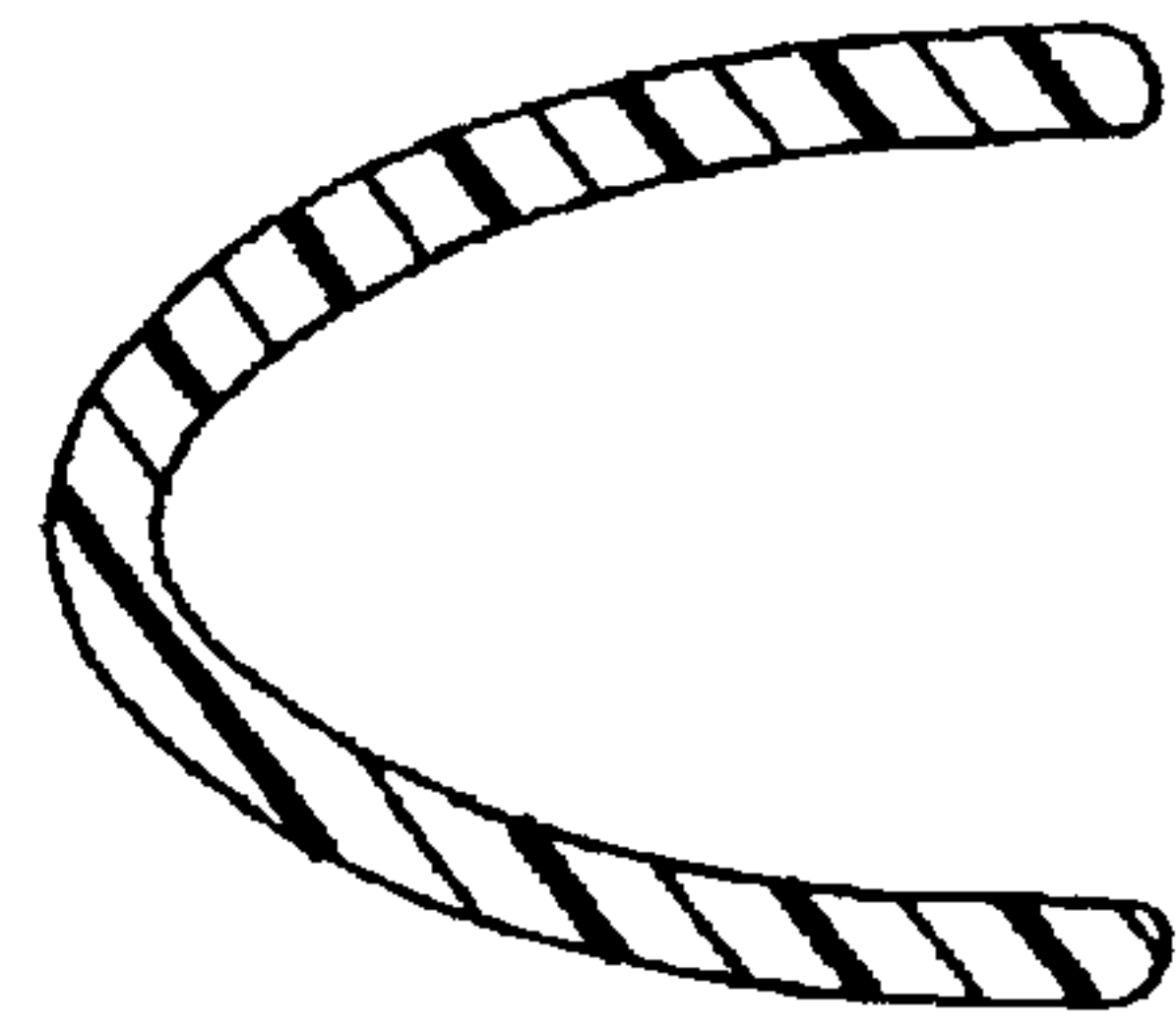


Fig. 7