



US00D490594S

(12) **United States Design Patent**  
**Wuirre**

(10) **Patent No.:** **US D490,594 S**

(45) **Date of Patent:** **\*\* Jun. 1, 2004**

(54) **NEWBORN THONG SANDAL**

**DESCRIPTION**

(76) Inventor: **Meredith N. Wuirre**, 604 Staffordshire Dr., Jacksonville, FL (US) 32225

(\*\*) Term: **14 Years**

(21) Appl. No.: **29/170,817**

(22) Filed: **Nov. 13, 2002**

(51) **LOC (7) Cl.** ..... **02-04**

(52) **U.S. Cl.** ..... **D2/900; D2/917**

(58) **Field of Search** ..... **D2/900, 916-918; 36/8.1, 11.5**

(56) **References Cited**

**U.S. PATENT DOCUMENTS**

D83,963 S *	4/1931	Gilbert	.....	D2/900
D435,716 S *	1/2001	Davis	.....	D2/916
6,625,904 B1 *	9/2003	Frederiksen et al.	.....	36/11.5

\* cited by examiner

*Primary Examiner*—Dominic Simone

(74) *Attorney, Agent, or Firm*—Arthur G. Yeager

(57) **CLAIM**

I claim the ornamental design for a newborn thong sandal, as shown and described.

FIG. 1 is a front perspective view of a first embodiment of a newborn thong sandal;

FIG. 2 is a top plan view thereof;

FIG. 3 is a bottom plan view thereof;

FIG. 4 is a right side elevational view thereof;

FIG. 5 is a left side elevational view thereof;

FIG. 6 is a front elevational view thereof;

FIG. 7 is a rear elevational view thereof;

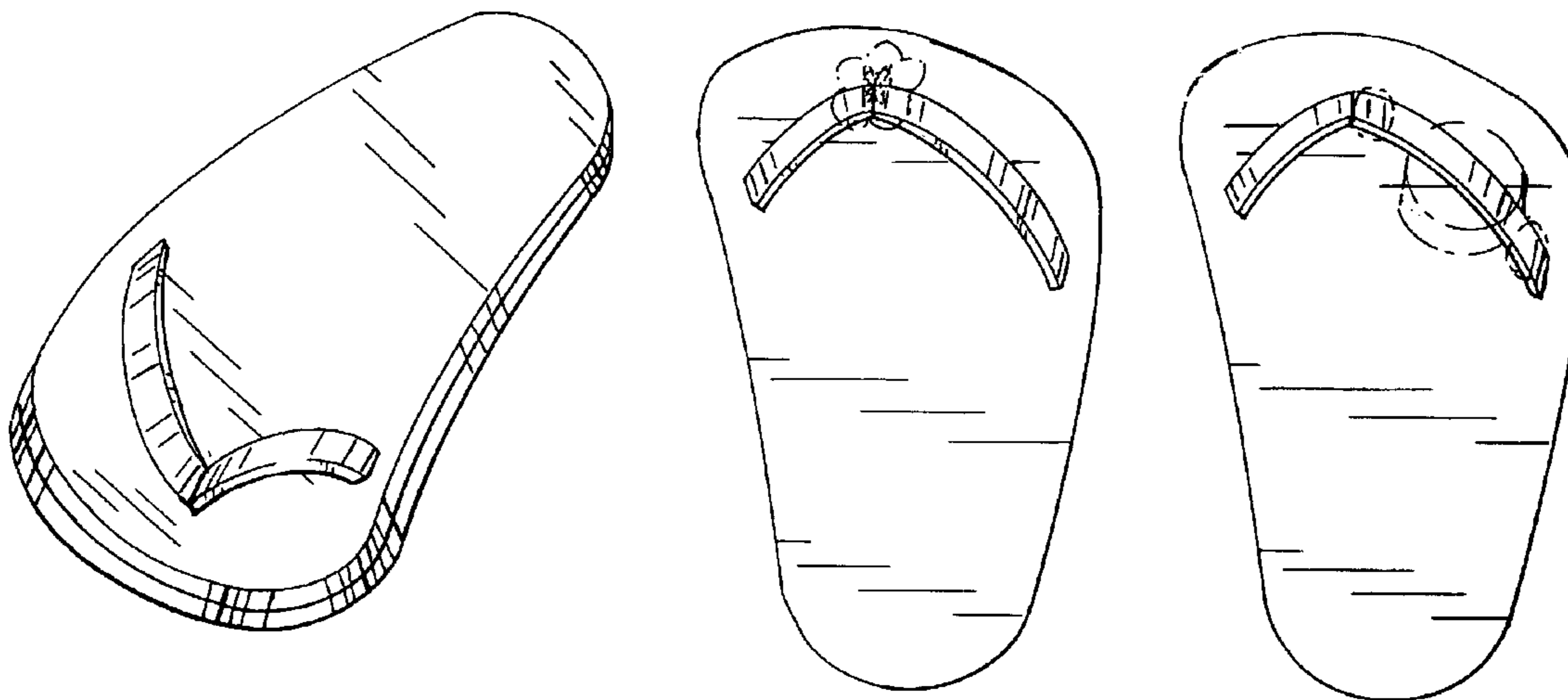
FIG. 8 is a top plan view of a second embodiment of my new design with a flower representation connected at the intersection of a pair of loops of a newborn thong sandal;

FIG. 9 is a top plan view of a third embodiment of my new design with representations of a pair of spaced small beads and a large bead threaded onto the larger loop of a newborn thong sandal;

FIG. 10 is a top plan view of a fourth embodiment of my new design with representations of a plurality of spaced small beads threaded on the larger loop and a small bead threaded on the smaller loop of a newborn thong sandal; and, FIG. 11 is a left side elevational view of FIG. 10 and showing the sole as composed of three sole layers.

The broken line showing in FIGS. 8-11 is for illustrative purposes only and forms no part of the claimed design.

**1 Claim, 3 Drawing Sheets**



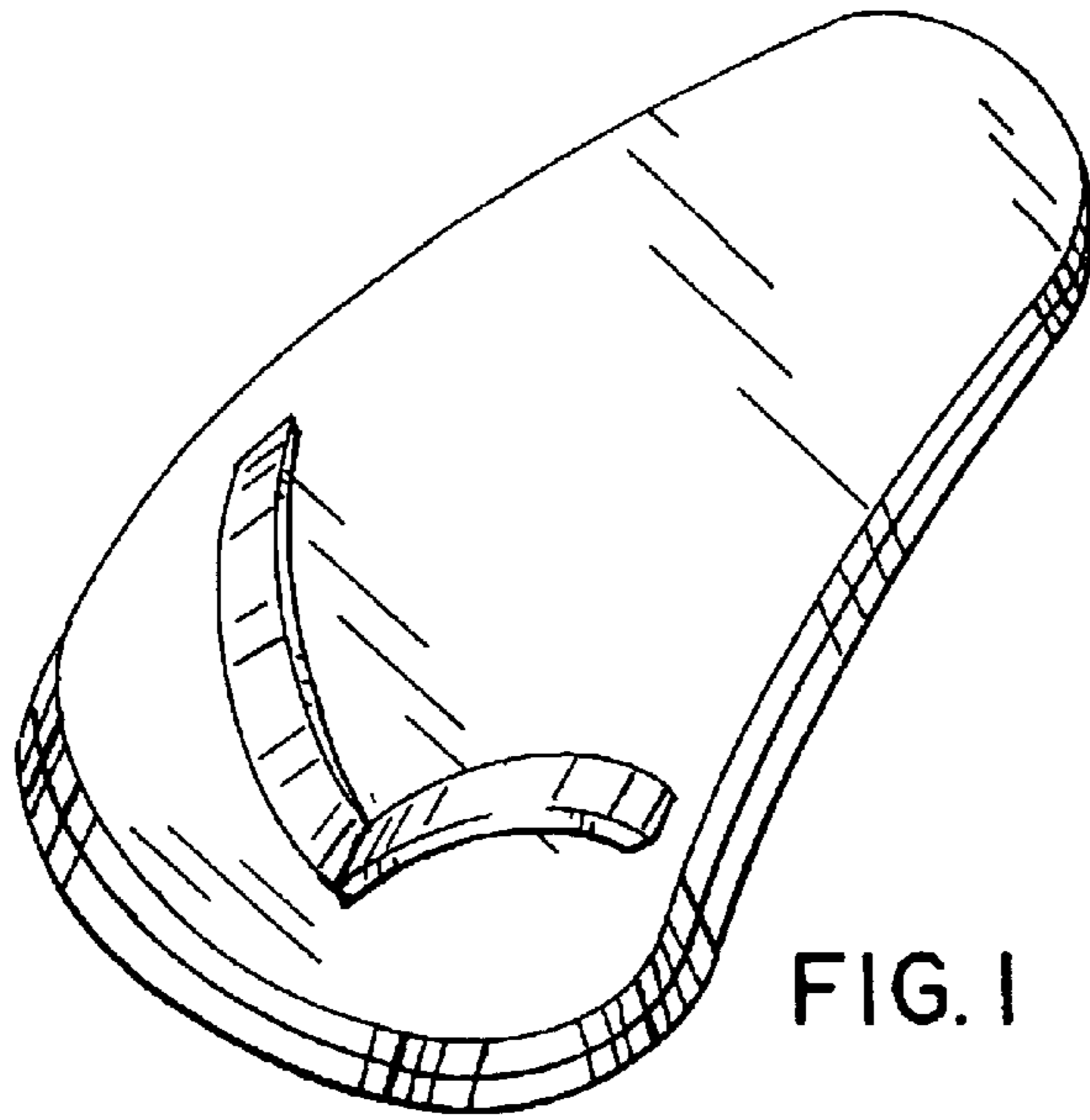


FIG. 1

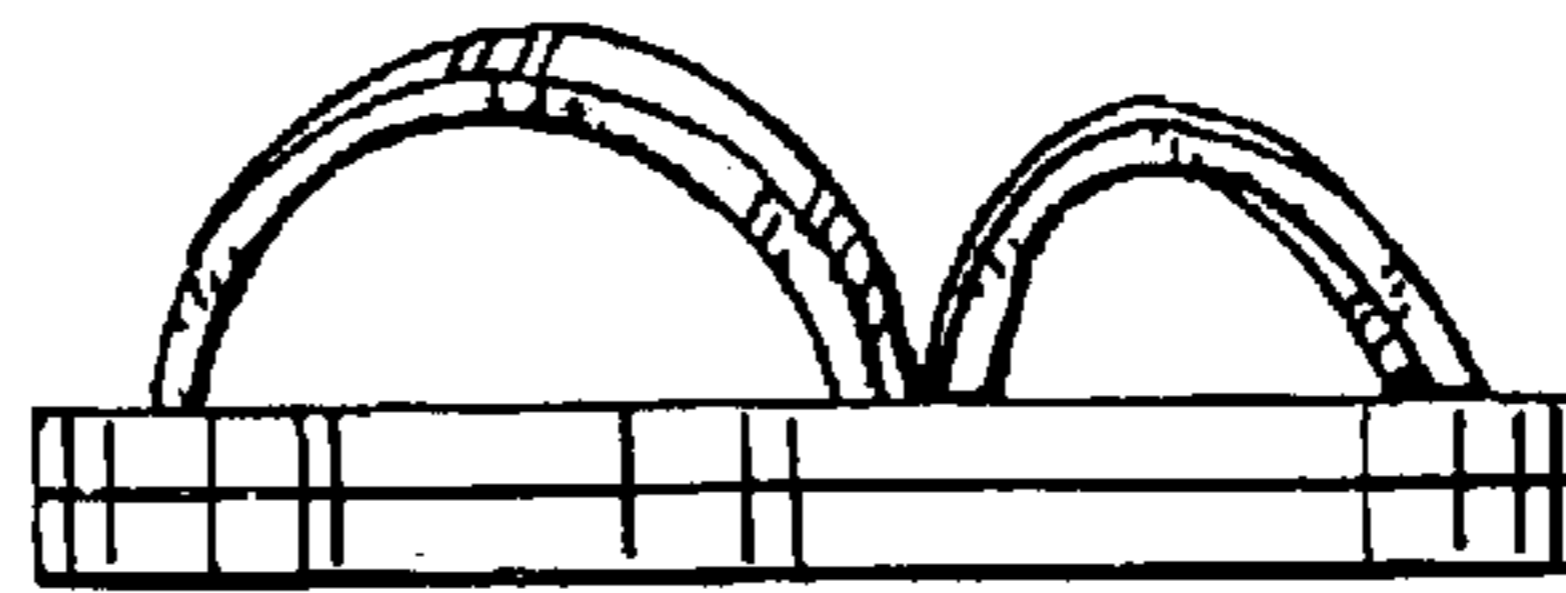


FIG. 6

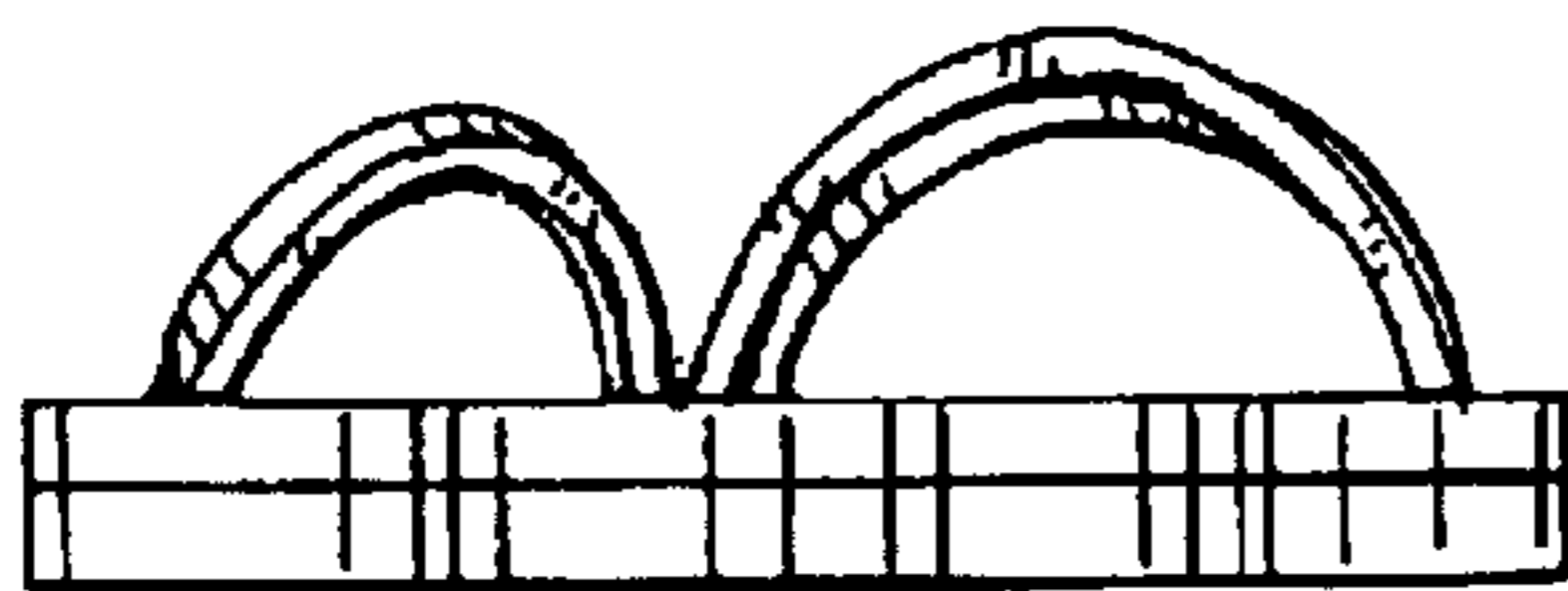


FIG. 7

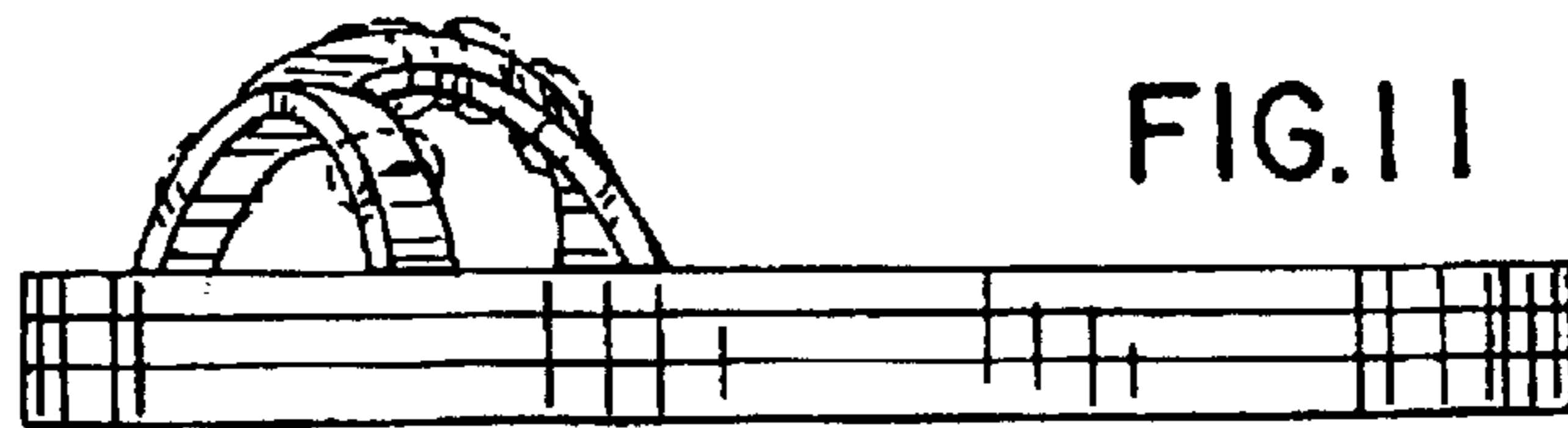


FIG. 11

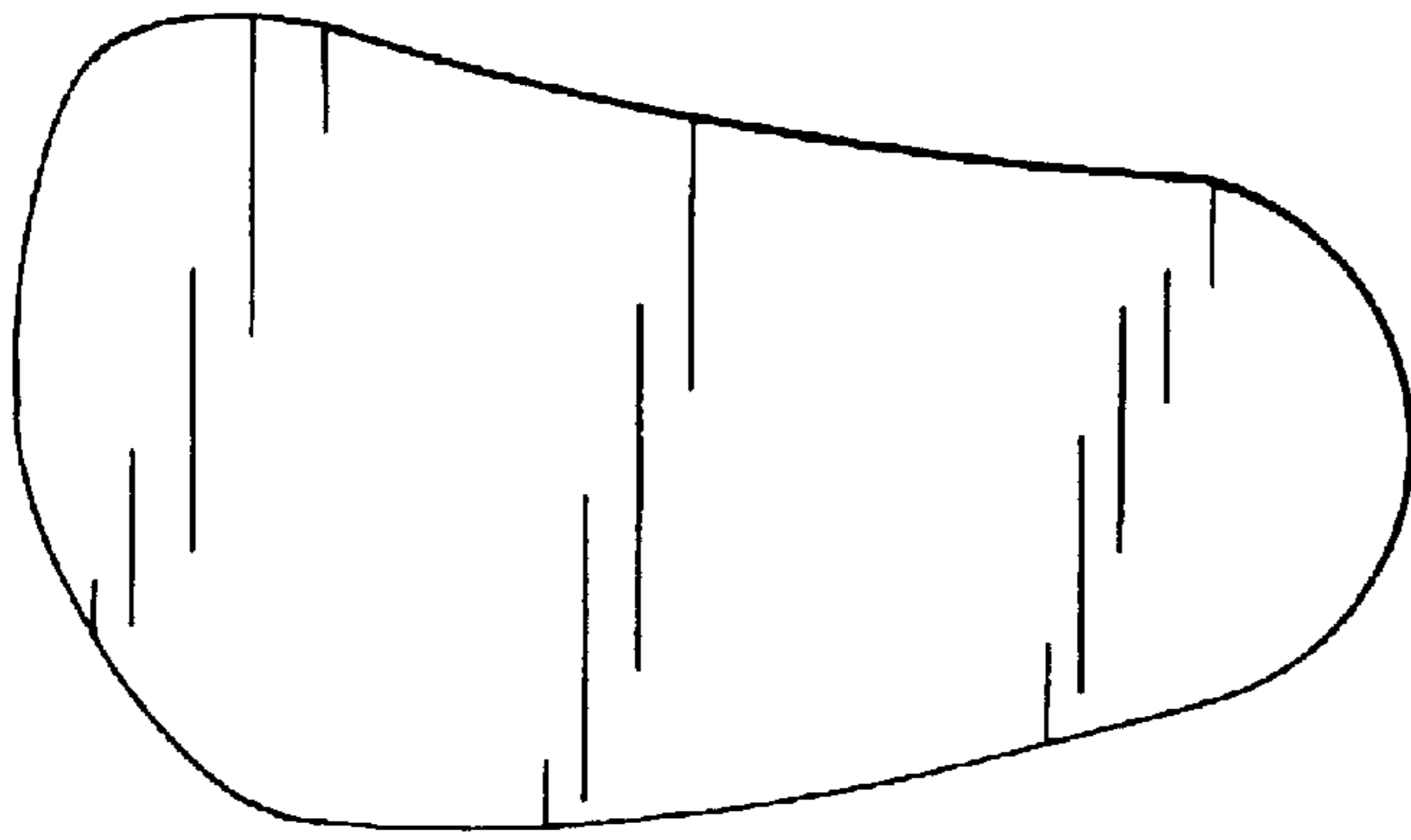


FIG. 3

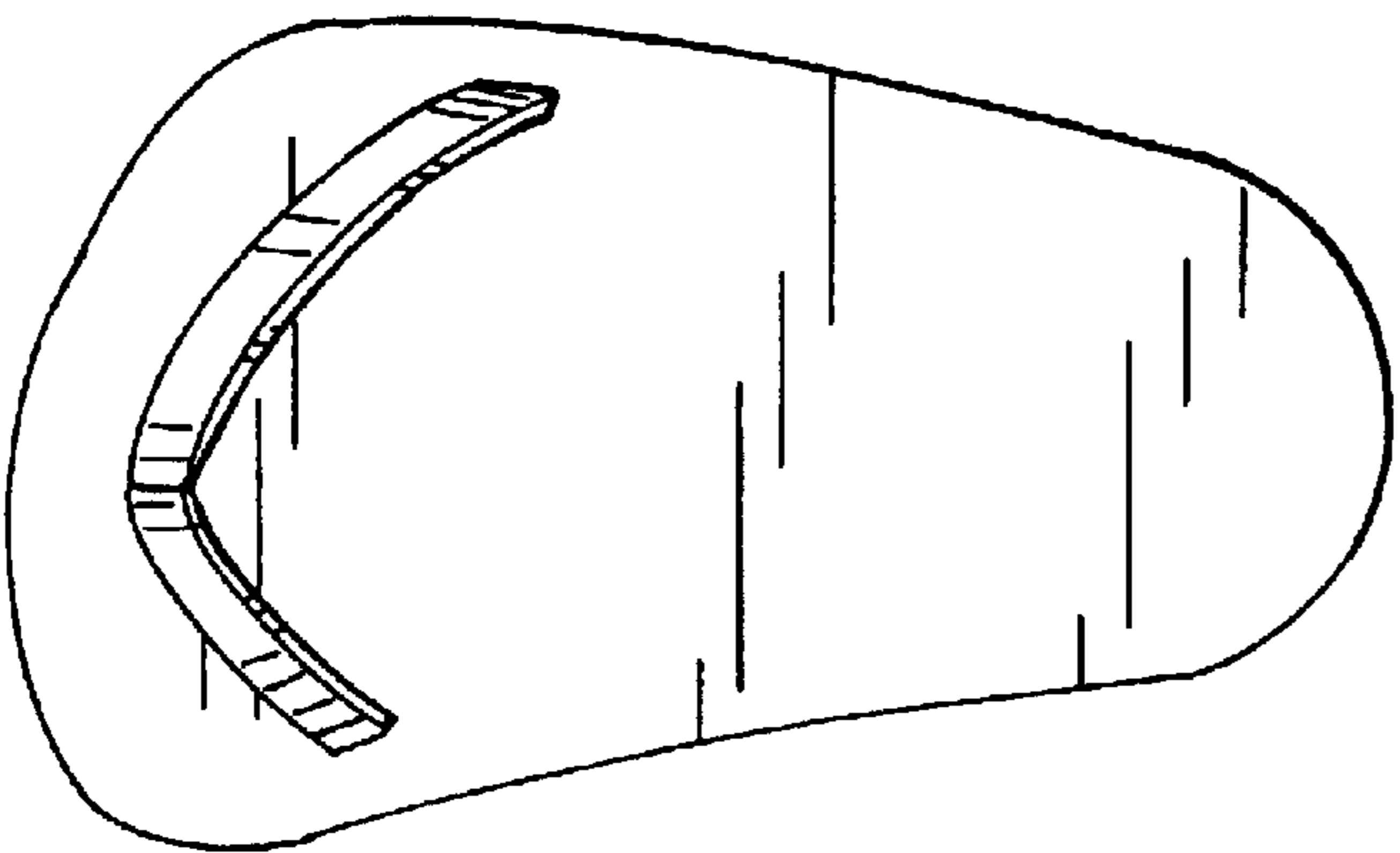


FIG. 2

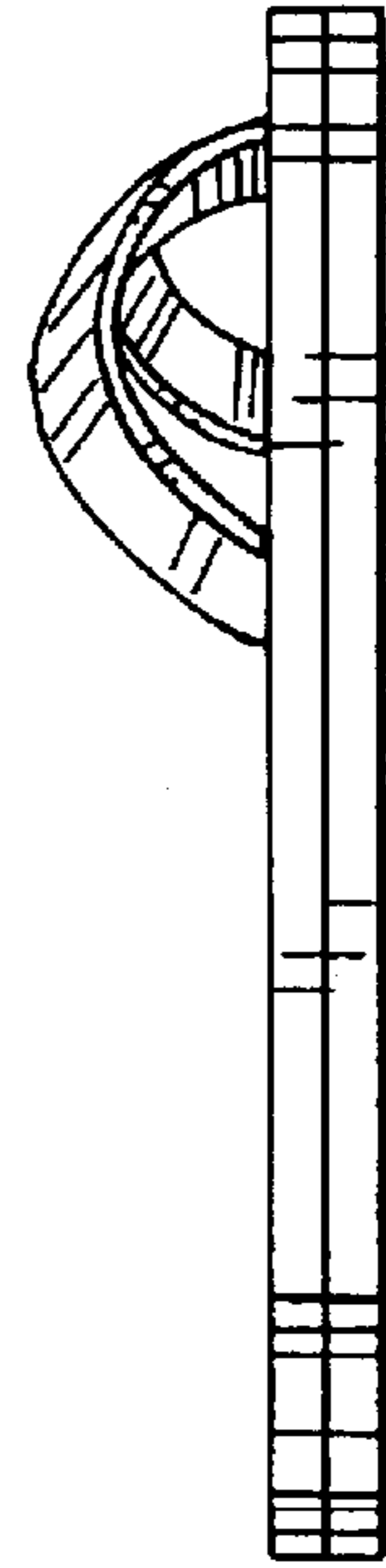


FIG. 5

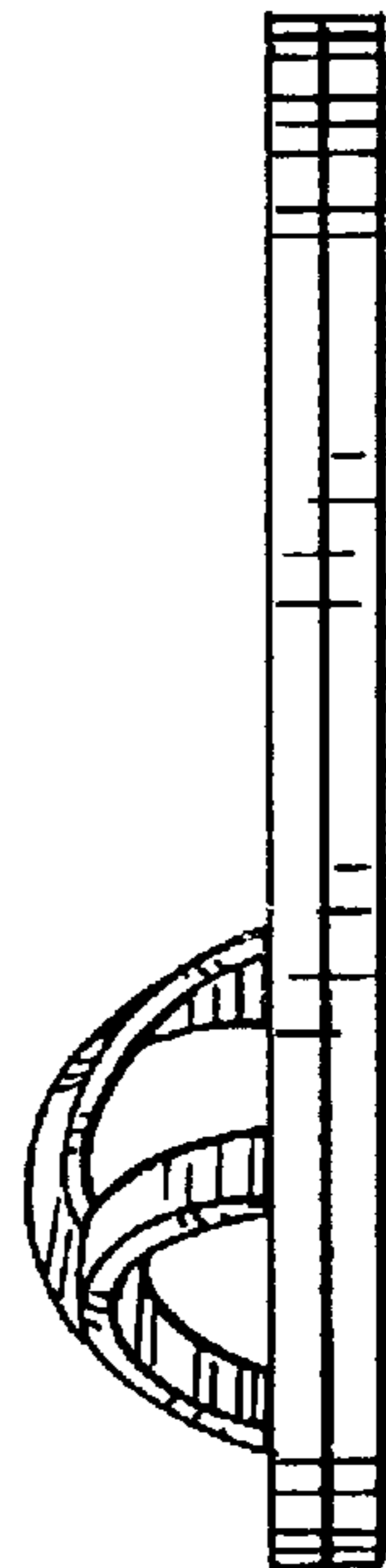


FIG. 4

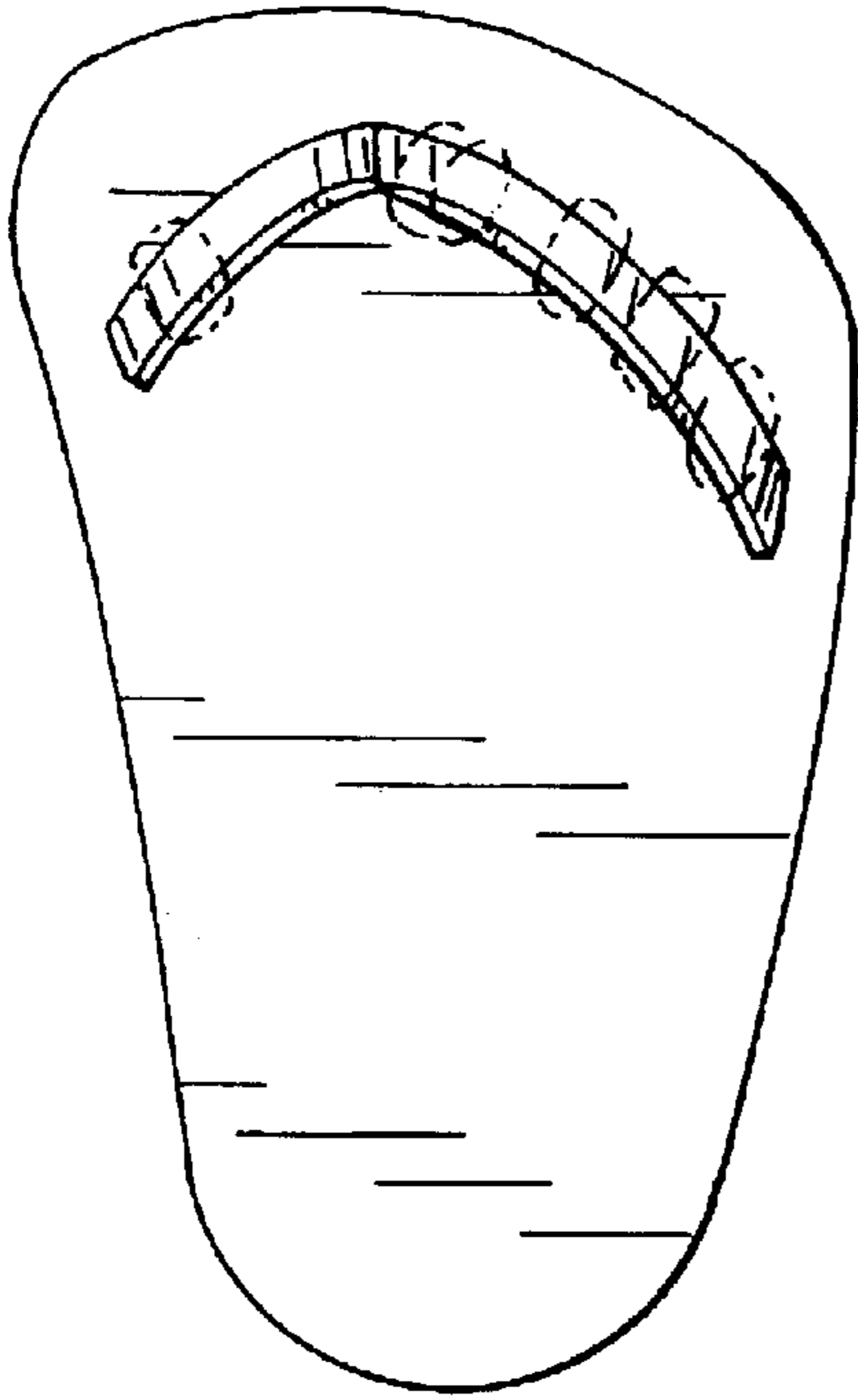


FIG. 10

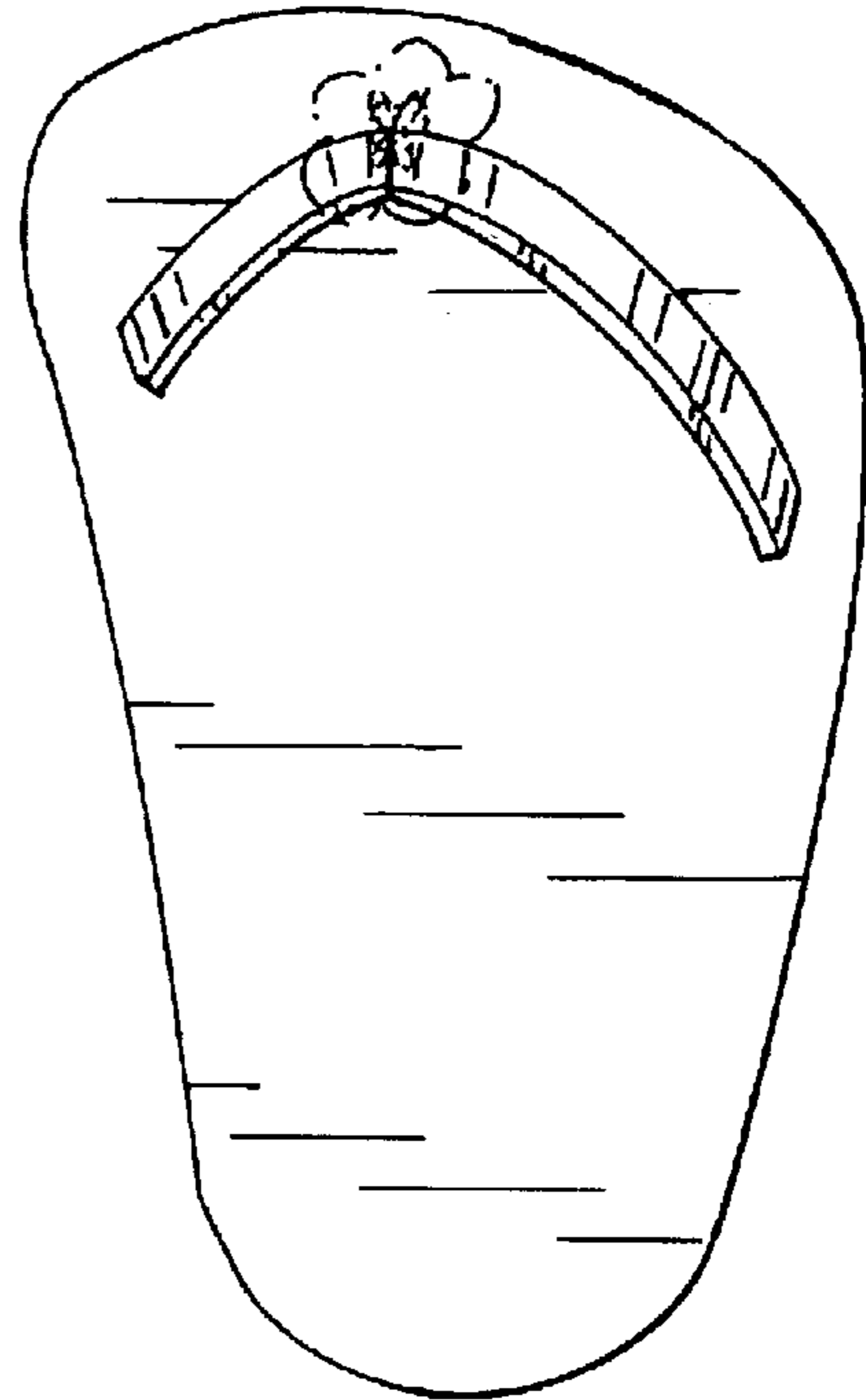


FIG. 8

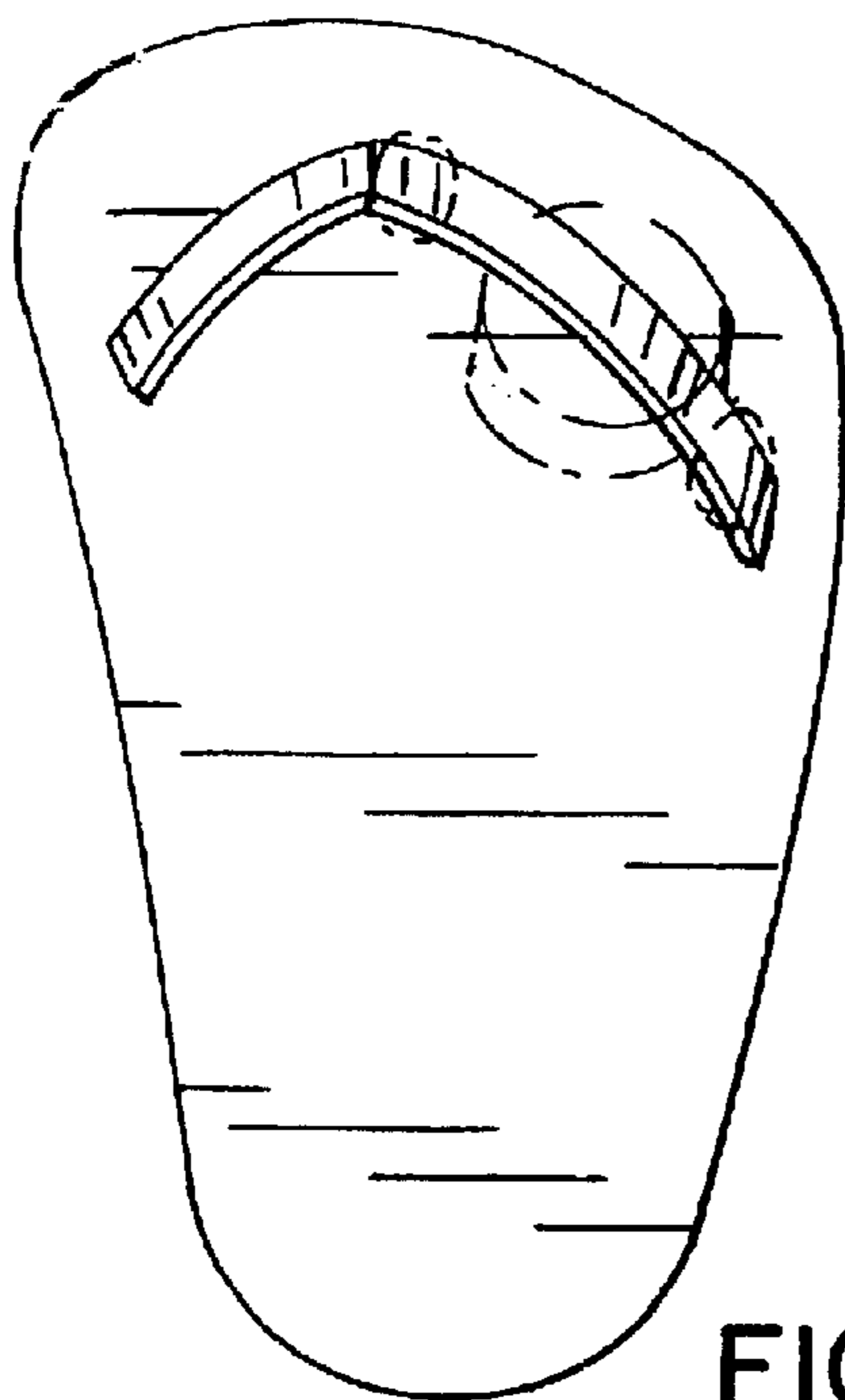


FIG. 9