



US00D490584S

(12) **United States Design Patent**
Stark et al.

(10) **Patent No.:** **US D490,584 S**

(45) **Date of Patent:** **** May 25, 2004**

(54) **WHEELBARROW CHUTE**

(76) Inventors: **Timothy R. Stark**, 260 Thom. B. Landers Rd., E. Falmouth, MA (US) 02536; **Allan B. Williamson**, 25 Corrine Dr., E. Falmouth, MA (US) 02536

(**) Term: **14 Years**

(21) Appl. No.: **29/181,565**

(22) Filed: **May 14, 2003**

Related U.S. Application Data

(63) Continuation-in-part of application No. 10/328,499, filed on Dec. 26, 2002.

(51) **LOC (7) Cl.** **12-02**

(52) **U.S. Cl.** **D34/16**

(58) **Field of Search** D34/12, 16, 18, D34/24, 27; 280/47.12, 47.31, 47.18, 47.26; 180/19.1, 19.3; 298/3

(56) **References Cited**

U.S. PATENT DOCUMENTS

D388,580 S * 12/1997 Havlovitz D34/19

D456,971 S * 5/2002 Abel D34/16
D461,613 S * 8/2002 Schaefer, III D34/16
D465,631 S * 11/2002 Brant D34/16
2002/0130491 A1 * 9/2002 Abel 280/653
2003/0011154 A1 * 1/2003 Scott et al. 280/47.31

* cited by examiner

Primary Examiner—Kay H. Chin

(74) *Attorney, Agent, or Firm*—John P. McGonagle

(57) **CLAIM**

The ornamental design for a wheelbarrow chute, as shown, and described.

DESCRIPTION

FIG. 1 is a perspective view of a wheelbarrow chute showing our new design;

FIG. 2 is a rear elevational view thereof;

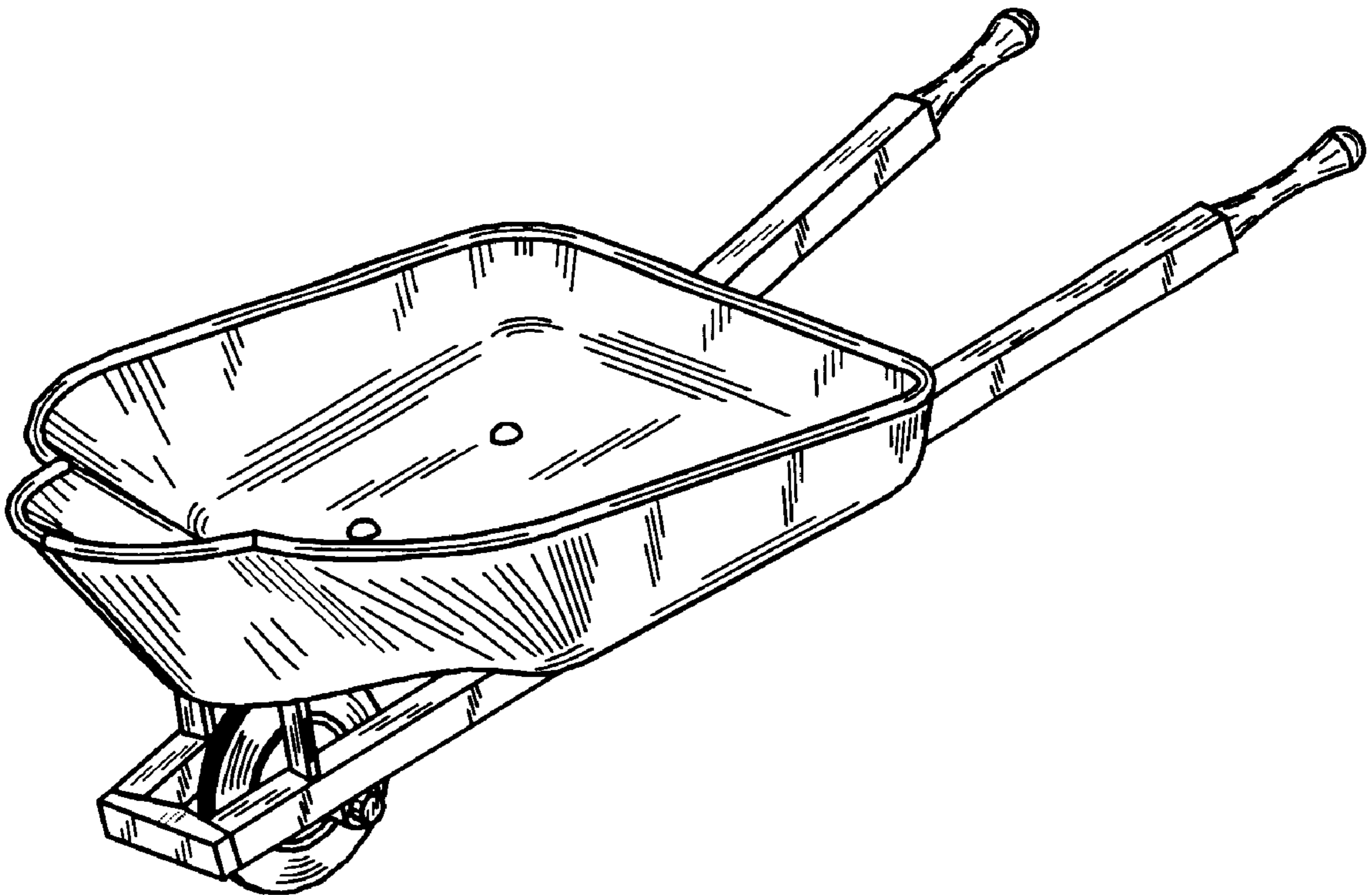
FIG. 3 is a bottom view thereof;

FIG. 4 is a side elevational view thereof, the opposite side being a mirror image thereof;

FIG. 5 is a top view thereof; and,

FIG. 6 is a front elevational view thereof.

1 Claim, 1 Drawing Sheet



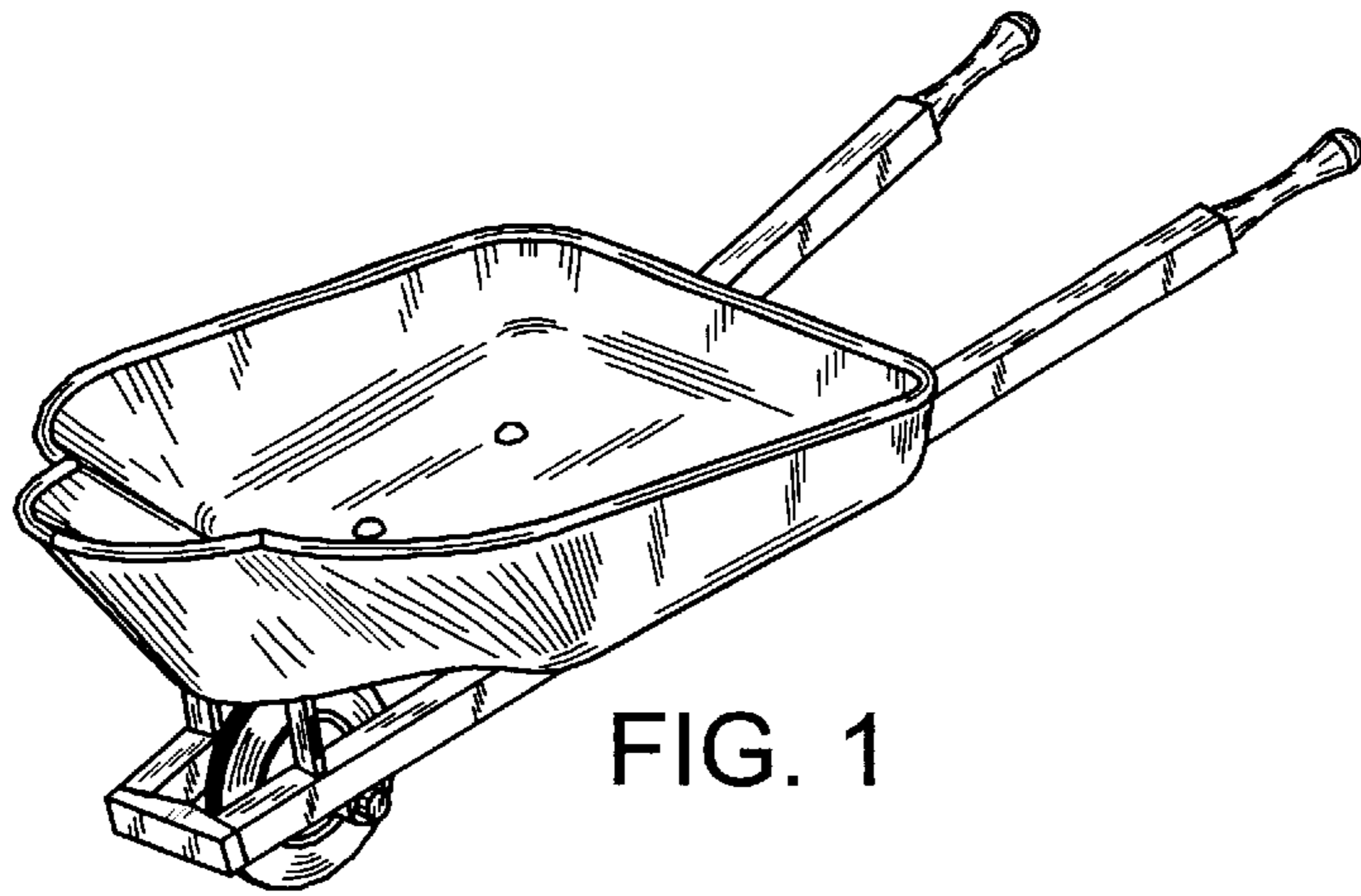


FIG. 1

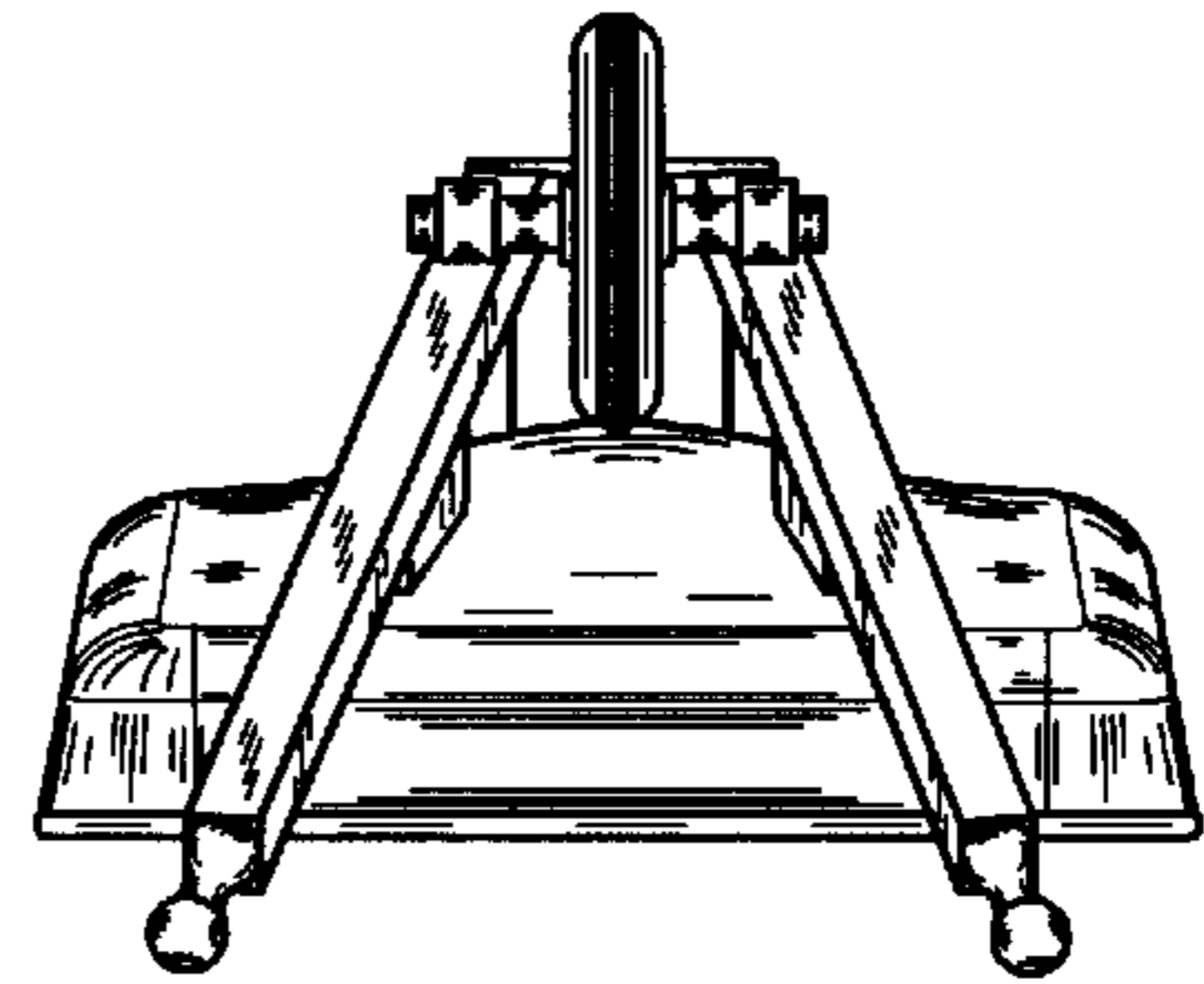


FIG. 2

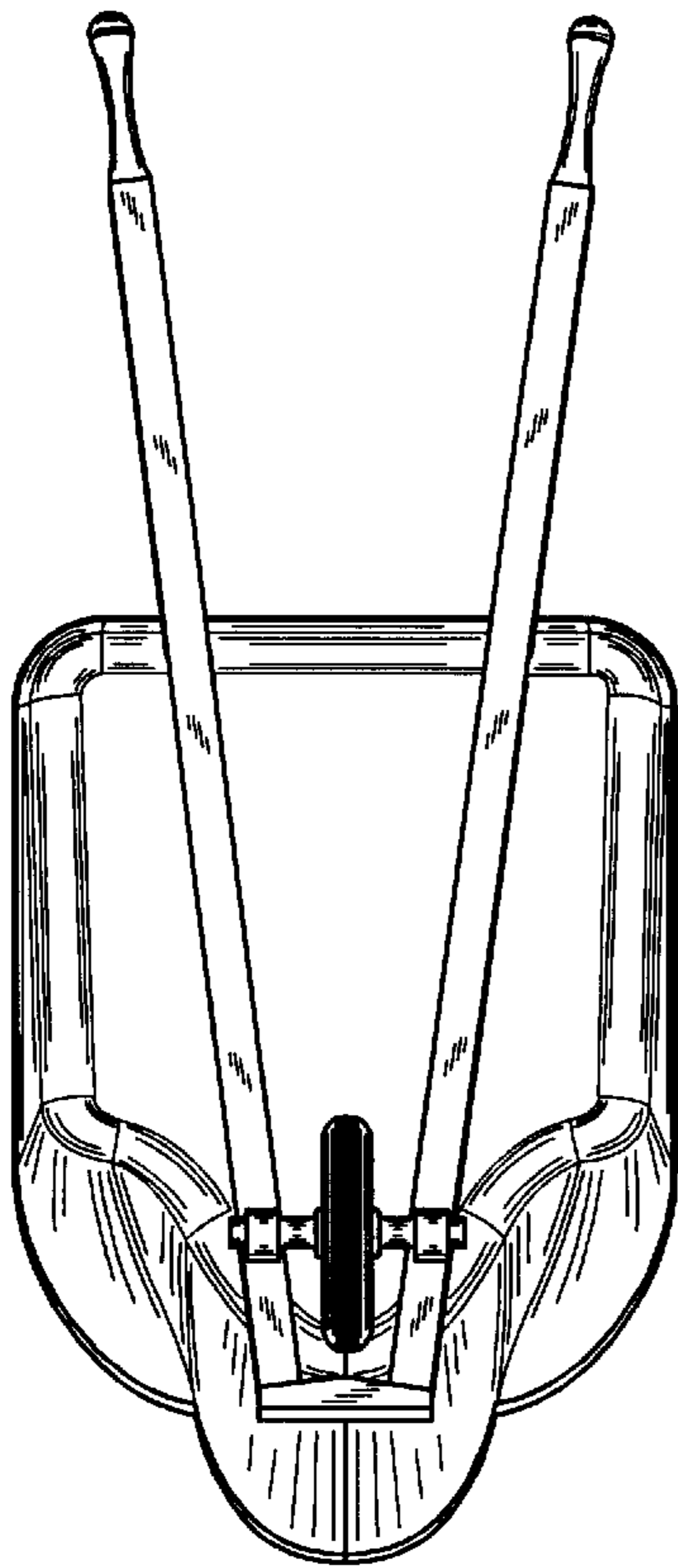


FIG. 3

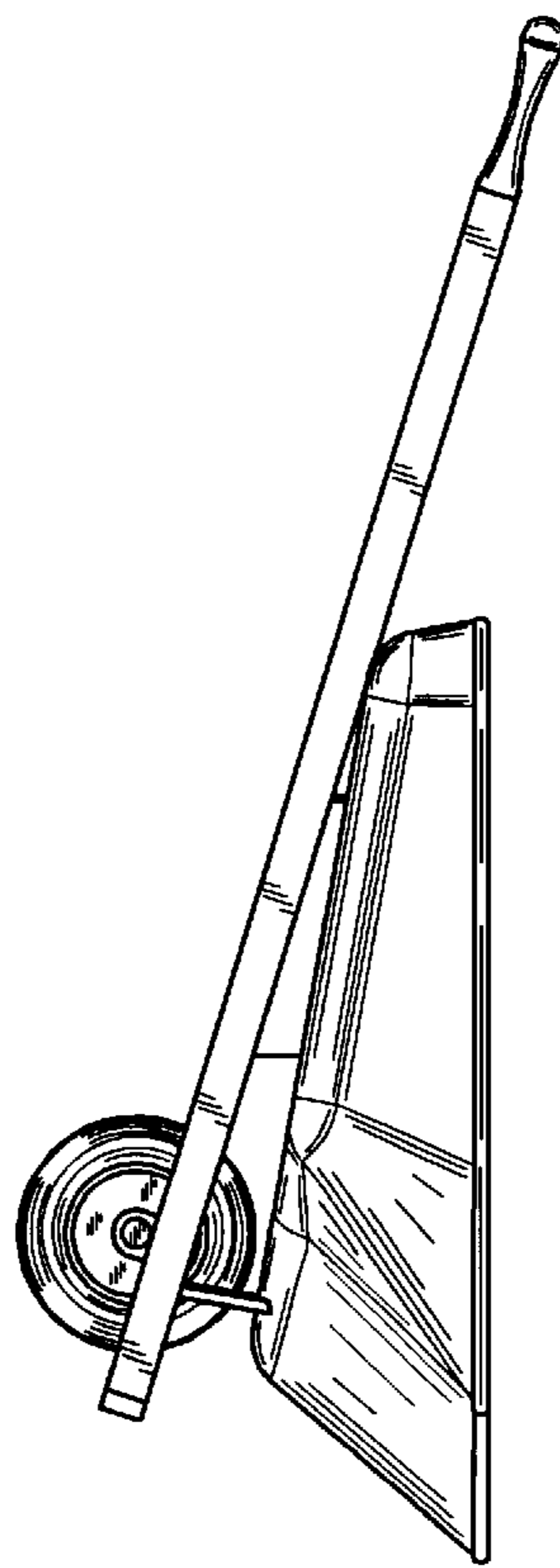


FIG. 4

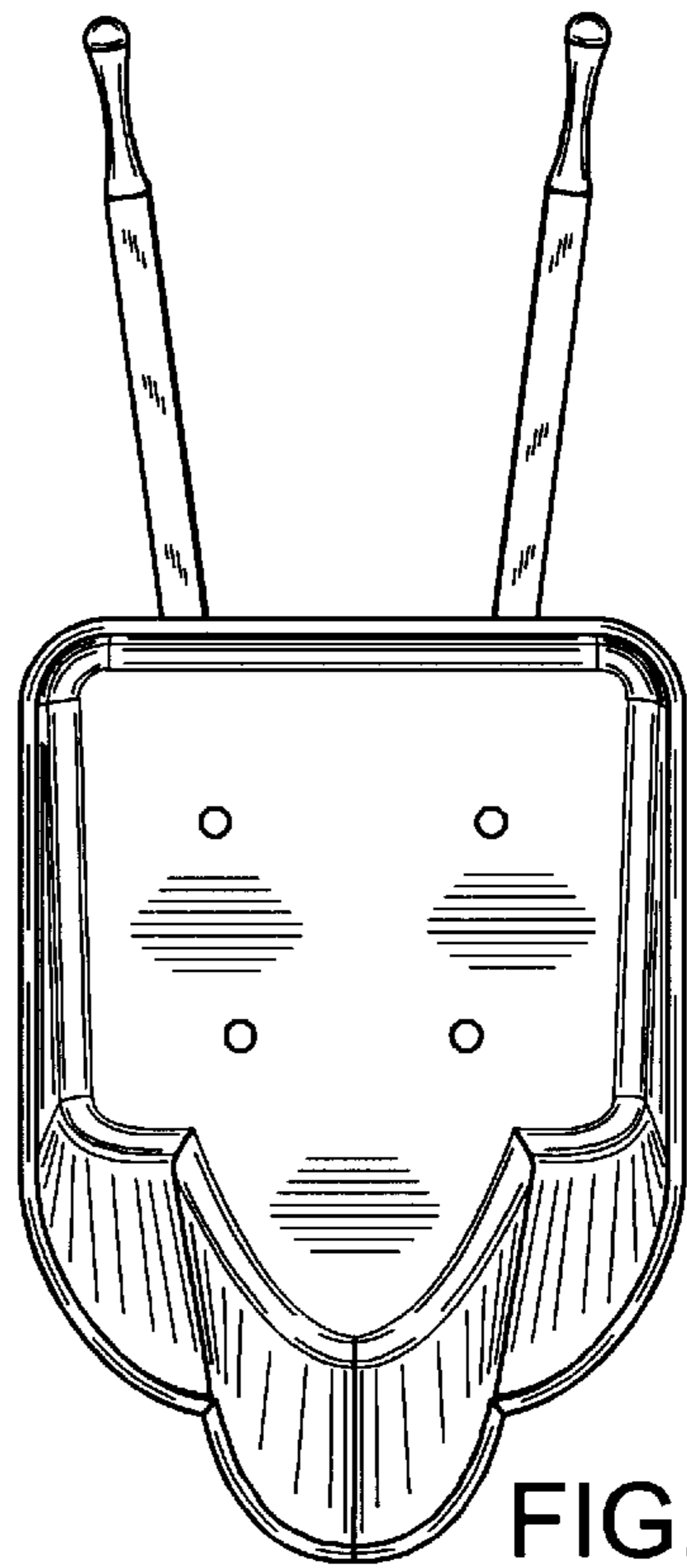


FIG. 5

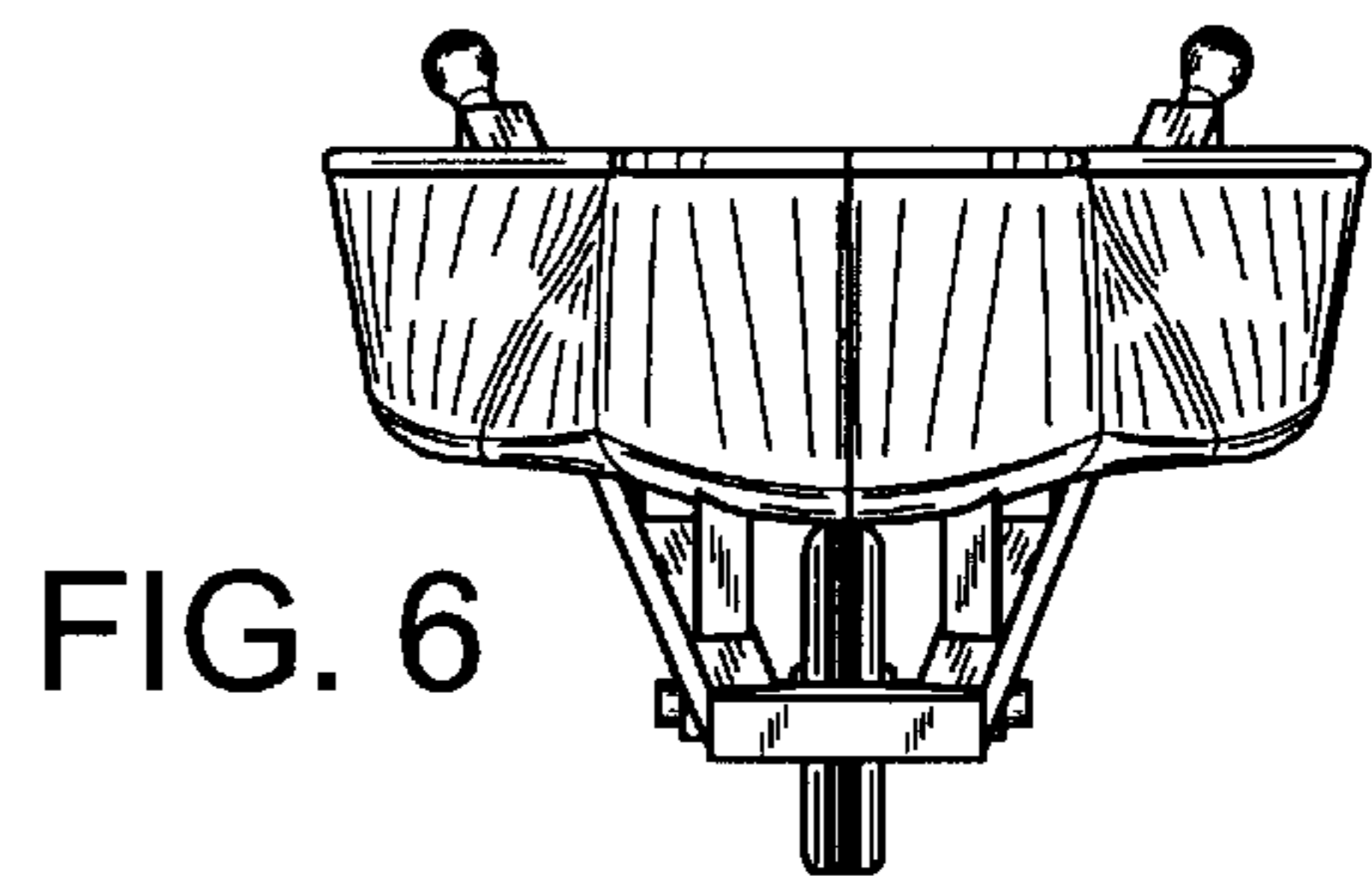


FIG. 6