



US00D490581S

(12) **United States Design Patent**
Keithly et al.

(10) **Patent No.:** **US D490,581 S**

(45) **Date of Patent:** **** May 25, 2004**

(54) **TRASH CAN WITH BAG REMOVAL ASSIST VENT**

(76) Inventors: **Daniel J. Keithly**, 300 Lockaby Rd., Pendleton, SC (US) 29670; **Tamara O. Keithly**, 300 Lockaby Rd., Pendleton, SC (US) 29670

(**) Term: **14 Years**

(21) Appl. No.: **29/176,946**

(22) Filed: **Mar. 3, 2003**

(51) **LOC (7) Cl.** **09-09**

(52) **U.S. Cl.** **D34/1**

(58) **Field of Search** D34/1, 5, 6; 220/495.01, 220/495.04, 495.05, 495.11, 908, 909, 908.1, 908.2, 913

(56) **References Cited**

U.S. PATENT DOCUMENTS

- 1,421,628 A 7/1922 Watkins
- 1,424,520 A 8/1922 Richardson et al.
- 3,614,041 A 10/1971 Koger
- D246,822 S 1/1978 Stoufer
- 4,721,226 A 1/1988 Yurko
- D302,885 S 8/1989 Barbee
- 4,948,004 A 8/1990 Chich
- 5,014,872 A * 5/1991 Robbins, III 383/96
- 5,022,767 A 6/1991 Cardulla
- 5,090,585 A * 2/1992 Power 220/495.04
- 5,108,000 A * 4/1992 Stoll et al. 220/23.4

- 5,111,951 A * 5/1992 Breen et al. 220/23.4
- D347,916 S 6/1994 Russ
- 5,492,238 A * 2/1996 Scholl et al. 220/263
- 5,632,401 A 5/1997 Hurd
- 5,641,947 A * 6/1997 Riddle, Jr. 177/126
- D384,460 S * 9/1997 Wright D34/1
- 5,803,303 A * 9/1998 Timm et al. 220/495.04
- D405,576 S * 2/1999 Rausch D34/1
- D406,682 S * 3/1999 Wright D34/1
- D422,767 S * 4/2000 Presser D34/6
- D460,233 S * 7/2002 Strubin D34/1
- D463,084 S * 9/2002 Forest D34/1
- 6,594,876 B1 * 7/2003 Stastny 29/401.1

* cited by examiner

Primary Examiner—Cynthia E. Ramirez

(74) *Attorney, Agent, or Firm*—Donald R. Schoonover

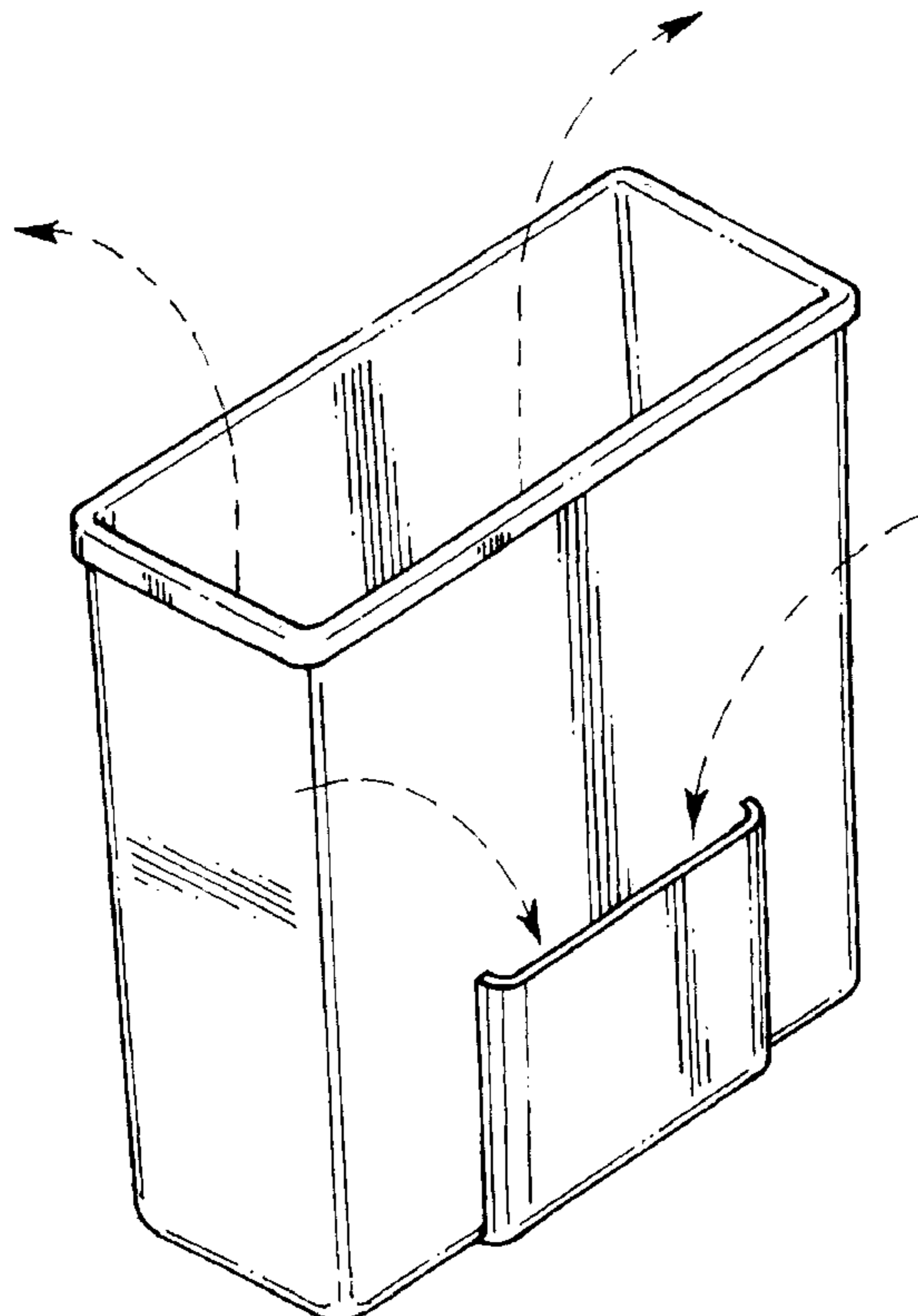
(57) **CLAIM**

We claim the ornamental design for a trash can with bag removal assist vent, as shown and described.

DESCRIPTION

FIG. 1 is a perspective view of a trash can with bag removal assist vent showing our new design; FIG. 2 is a front elevational view thereof; FIG. 3 is a rear elevational view thereof; FIG. 4 is a left side elevational view thereof, the right side elevational view being a mirror image thereof; FIG. 5 is a top plan view thereof; and, FIG. 6 is a bottom plan view thereof.

1 Claim, 3 Drawing Sheets



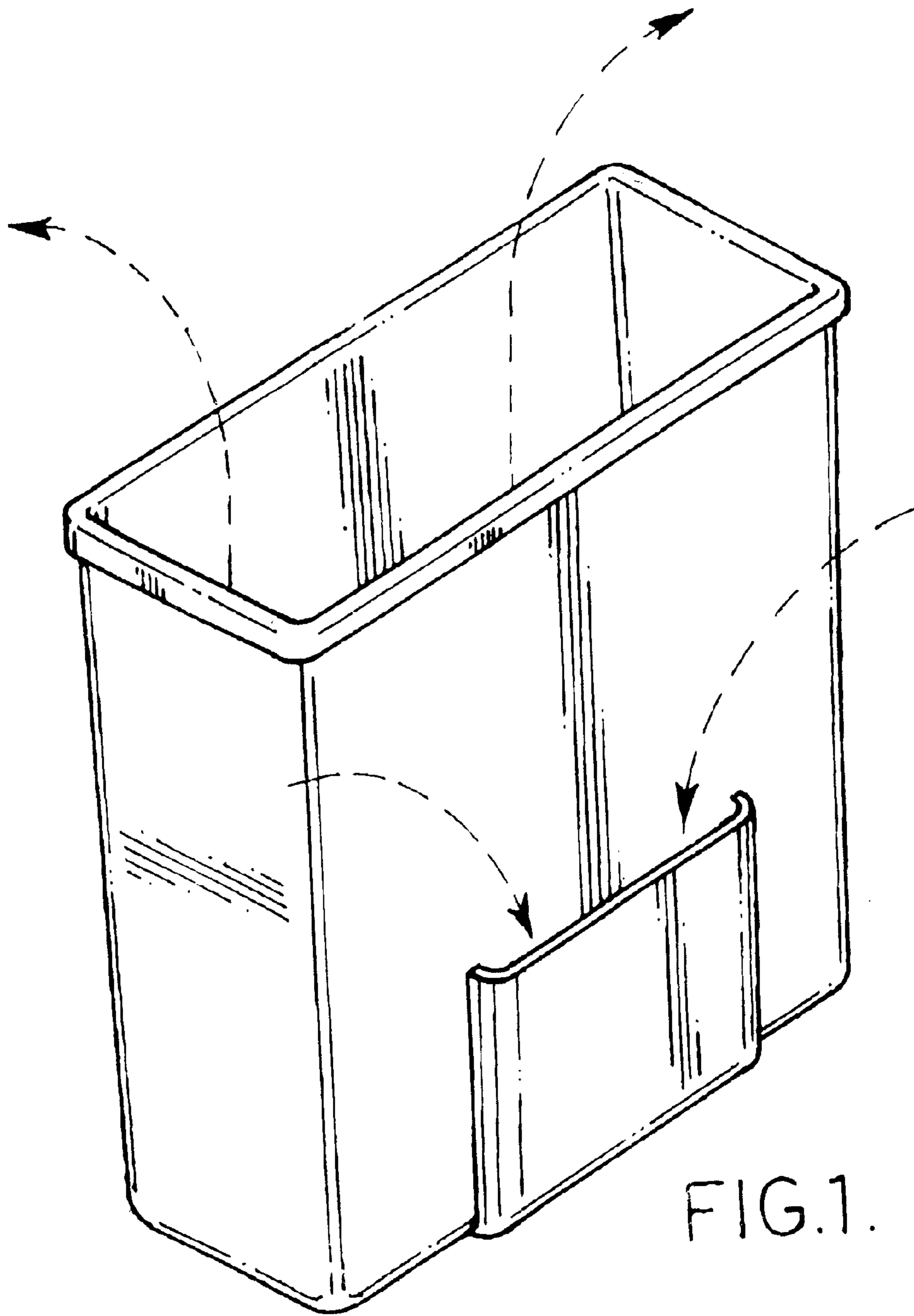


FIG. 1.

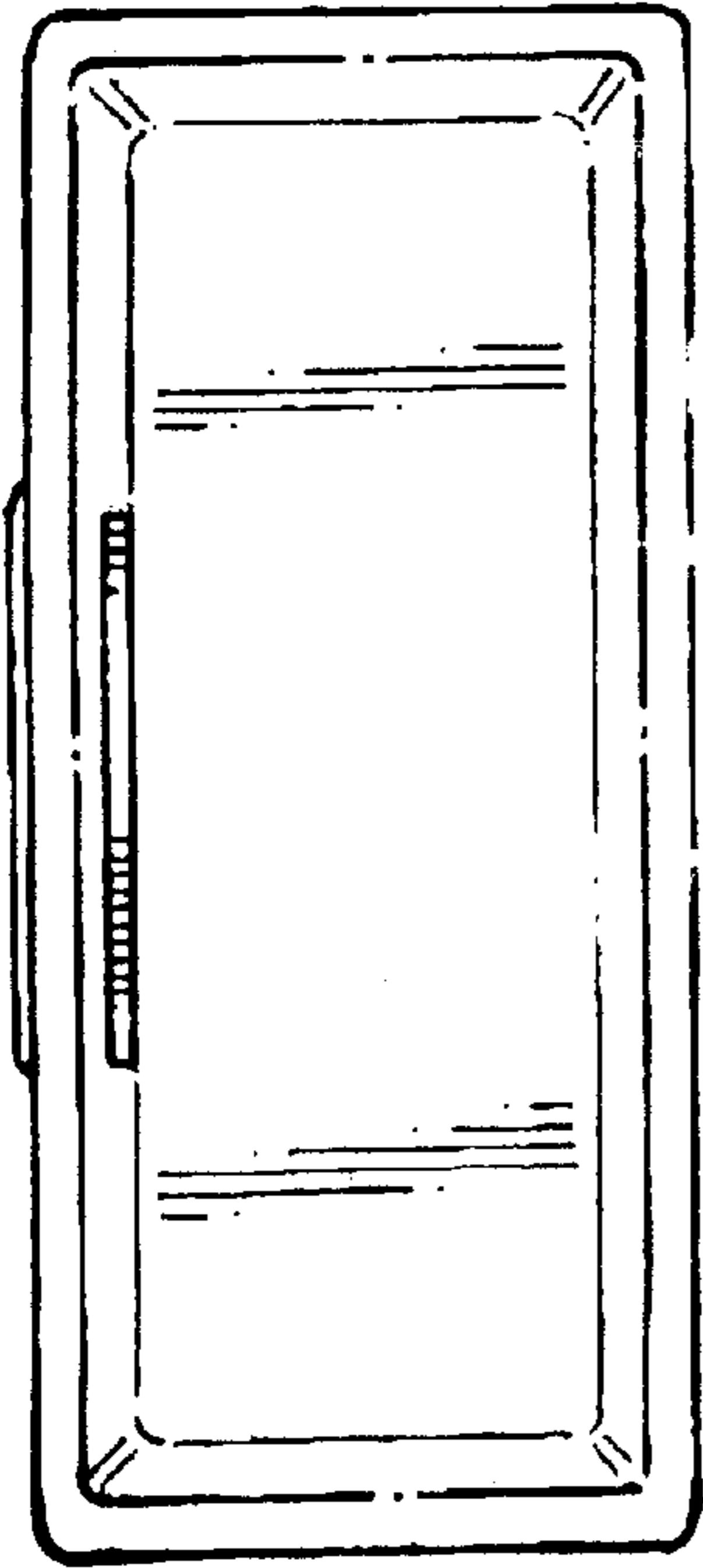


FIG. 5.

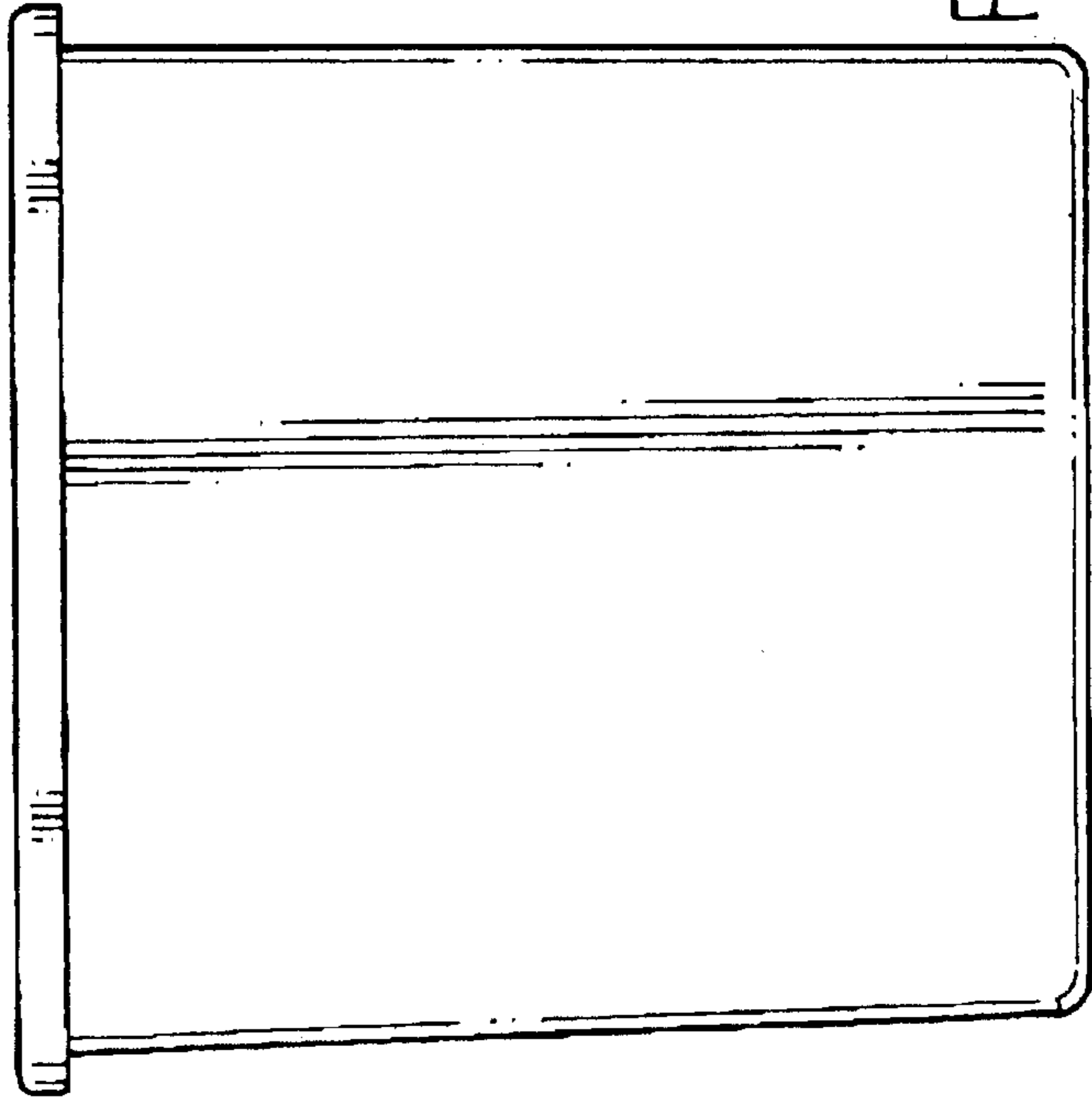


FIG. 2.

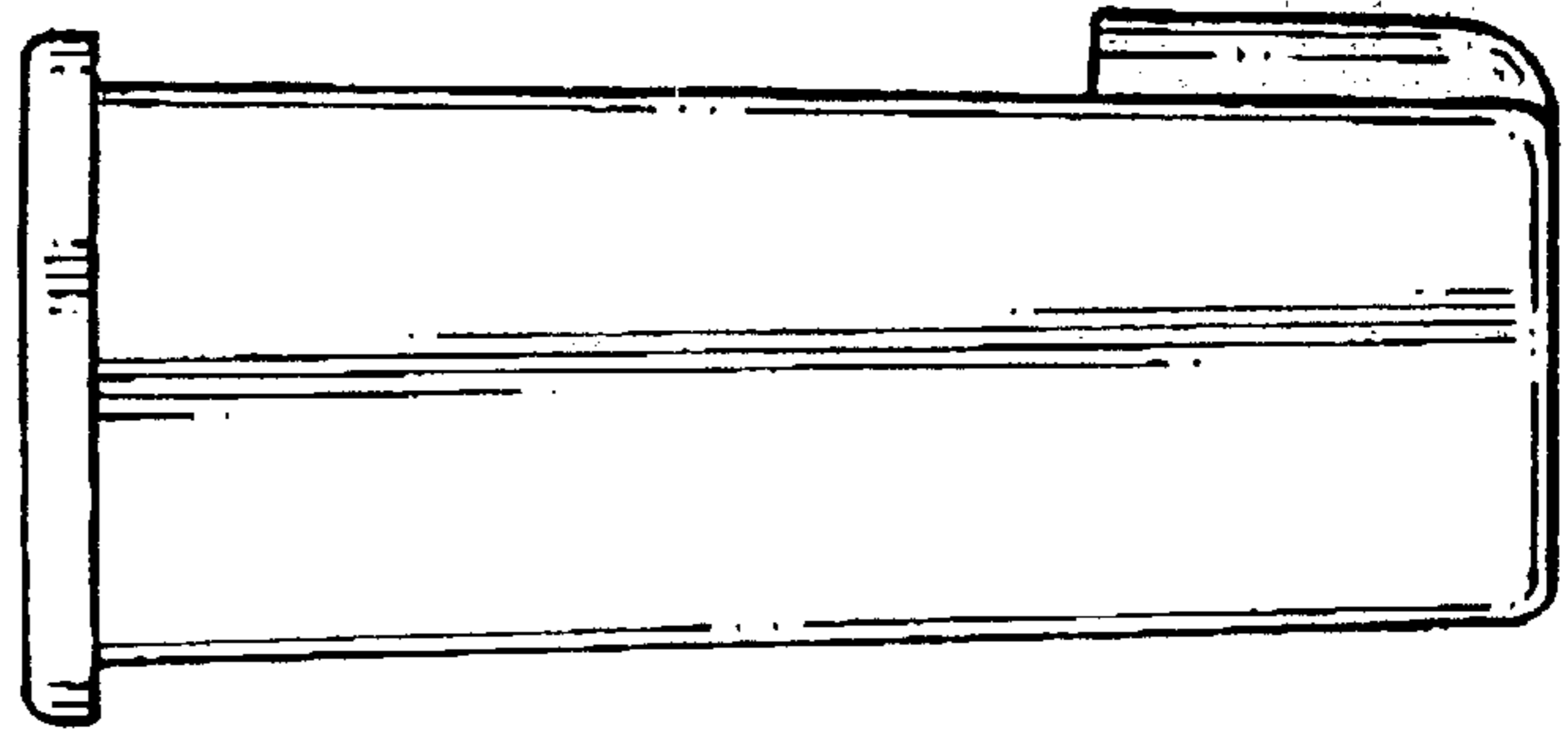


FIG. 4.

FIG. 6.

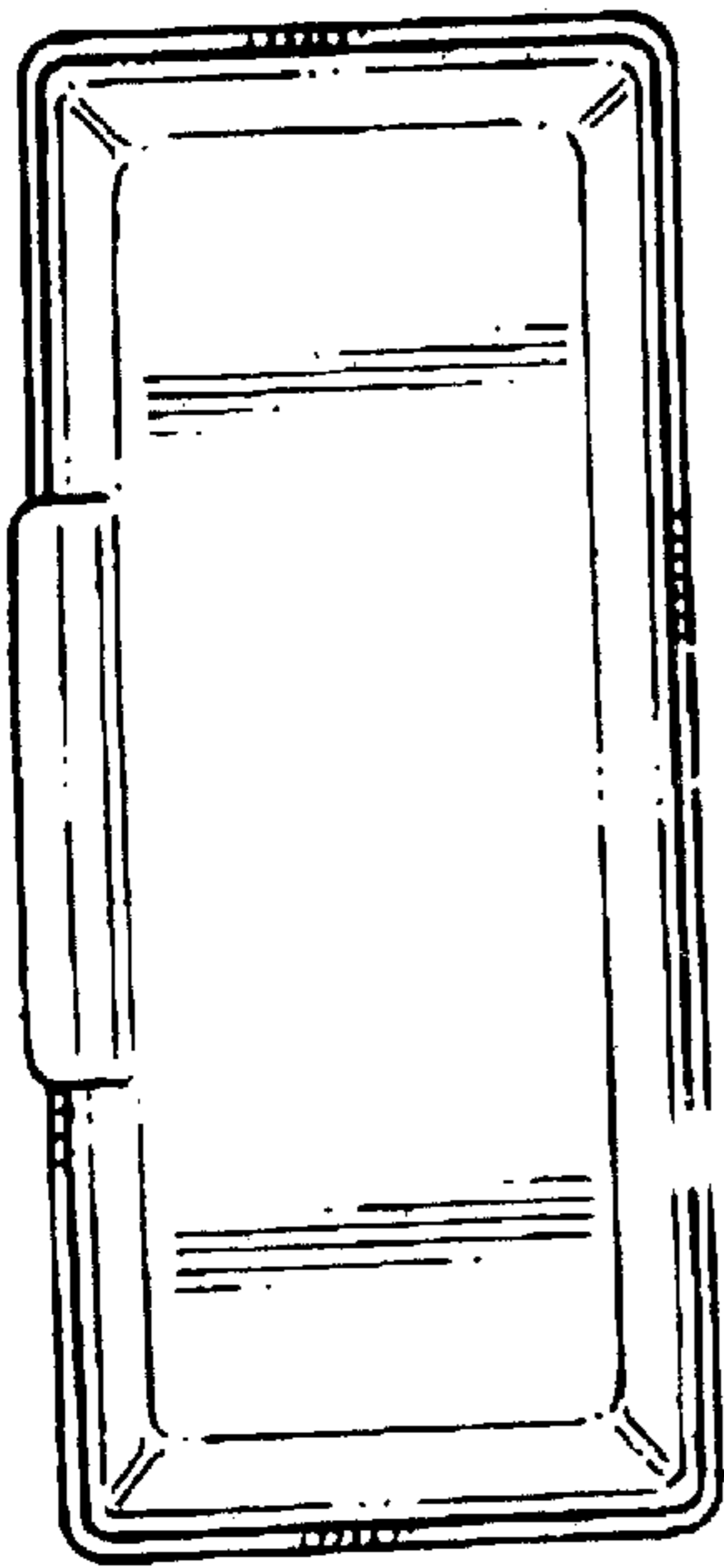


FIG. 3.

