



US00D490579S

(12) **United States Design Patent**  
**Cunningham**

(10) **Patent No.:** **US D490,579 S**

(45) **Date of Patent:** **\*\* May 25, 2004**

(54) **ENCLOSURE FOR SWEEPER VEHICLE**

(75) **Inventor:** **John P. Cunningham, Hurricane, WV (US)**

(73) **Assignee:** **The Terramite Corporation, Charleston, WV (US)**

(\*\*) **Term:** **14 Years**

(21) **Appl. No.:** **29/164,102**

(22) **Filed:** **Jul. 19, 2002**

(51) **LOC (7) Cl.** ..... **32-01**

(52) **U.S. Cl.** ..... **D32/16; D15/30; D12/14; D12/96**

(58) **Field of Search** ..... **D32/16; D15/28, D15/10, 30; D12/96, 99, 14, 1; 15/84, 320; 280/830; 296/190, 192**

(56) **References Cited**

**U.S. PATENT DOCUMENTS**

D137,024 S	*	1/1944	Adrian	.....	D32/16
3,186,021 A	*	6/1965	Krier et al.	.....	15/87
D205,207 S	*	7/1966	Lanphere et al.	.....	D15/30
D249,532 S	*	9/1978	Cudahy, III et al.	.....	D19/35
4,516,285 A	*	5/1985	Pineau	.....	15/84
D281,109 S	*	10/1985	Raaij	.....	D32/16
4,549,326 A	*	10/1985	Pineau	.....	15/84
D281,634 S	*	12/1985	Pratt	.....	D32/16
4,754,521 A	*	7/1988	Zoni	.....	15/340.1
D297,142 S	*	8/1988	Funabashi et al.	.....	D15/30
D297,329 S	*	8/1988	Monehaie et al.	.....	D15/30

D307,203 S	*	4/1990	Martinez et al.	.....	D32/15
5,054,152 A	*	10/1991	Hulicko	.....	15/84
D321,517 S	*	11/1991	Katoh et al.	.....	D15/30
D384,358 S	*	9/1997	Smith	.....	D15/30
5,797,793 A	*	8/1998	Matousek et al.	.....	460/111
D398,616 S	*	9/1998	Kwak et al.	.....	D15/30
D432,144 S	*	10/2000	Kraft et al.	.....	D15/30
D449,252 S	*	10/2001	Takeshita et al.	.....	D12/11
D455,763 S	*	4/2002	Brandenburg, III et al.	.....	D15/30
D463,461 S	*	9/2002	Yanagida et al.	.....	D15/30
D463,462 S	*	9/2002	Yanagida et al.	.....	D15/30
D463,807 S	*	10/2002	Tamaru et al.	.....	D15/30

\* cited by examiner

*Primary Examiner*—Nelson C. Holtje

(74) *Attorney, Agent, or Firm*—Jean C. Edwards; Dickinson Wright PLLC

(57) **CLAIM**

The ornamental design for an enclosure for a sweeper vehicle, as shown and described.

**DESCRIPTION**

FIG. 1 is a front perspective view of an enclosure for a sweeper vehicle showing my new design; FIG. 2 is a front elevational view thereof; FIG. 3 is a rear elevational view thereof; FIG. 4 is a left side elevational view thereof; and, FIG. 5 is a right side elevational view thereof.

The elements shown in phantom lines do not form any part of the design of the present invention.

**1 Claim, 5 Drawing Sheets**

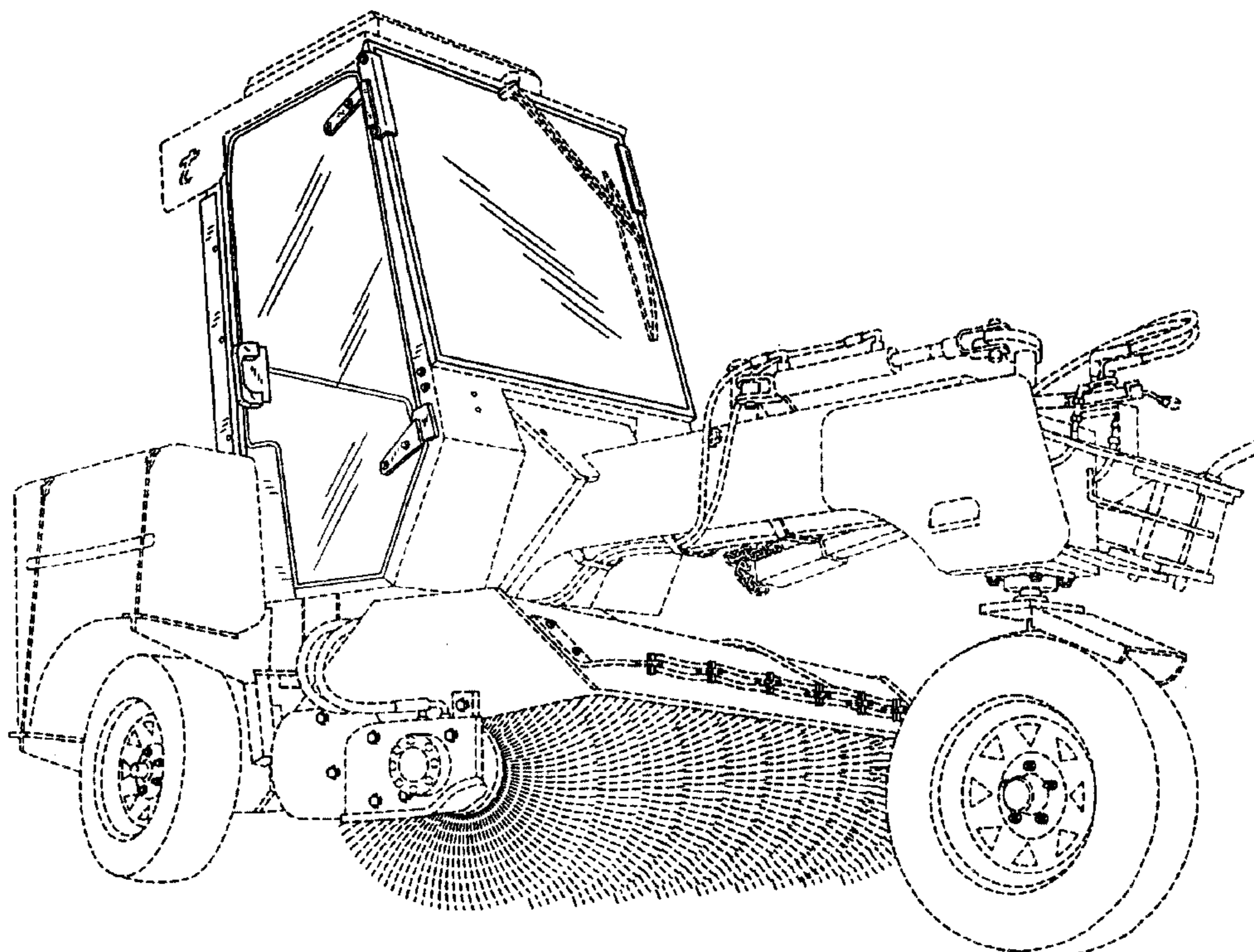


FIG. 1

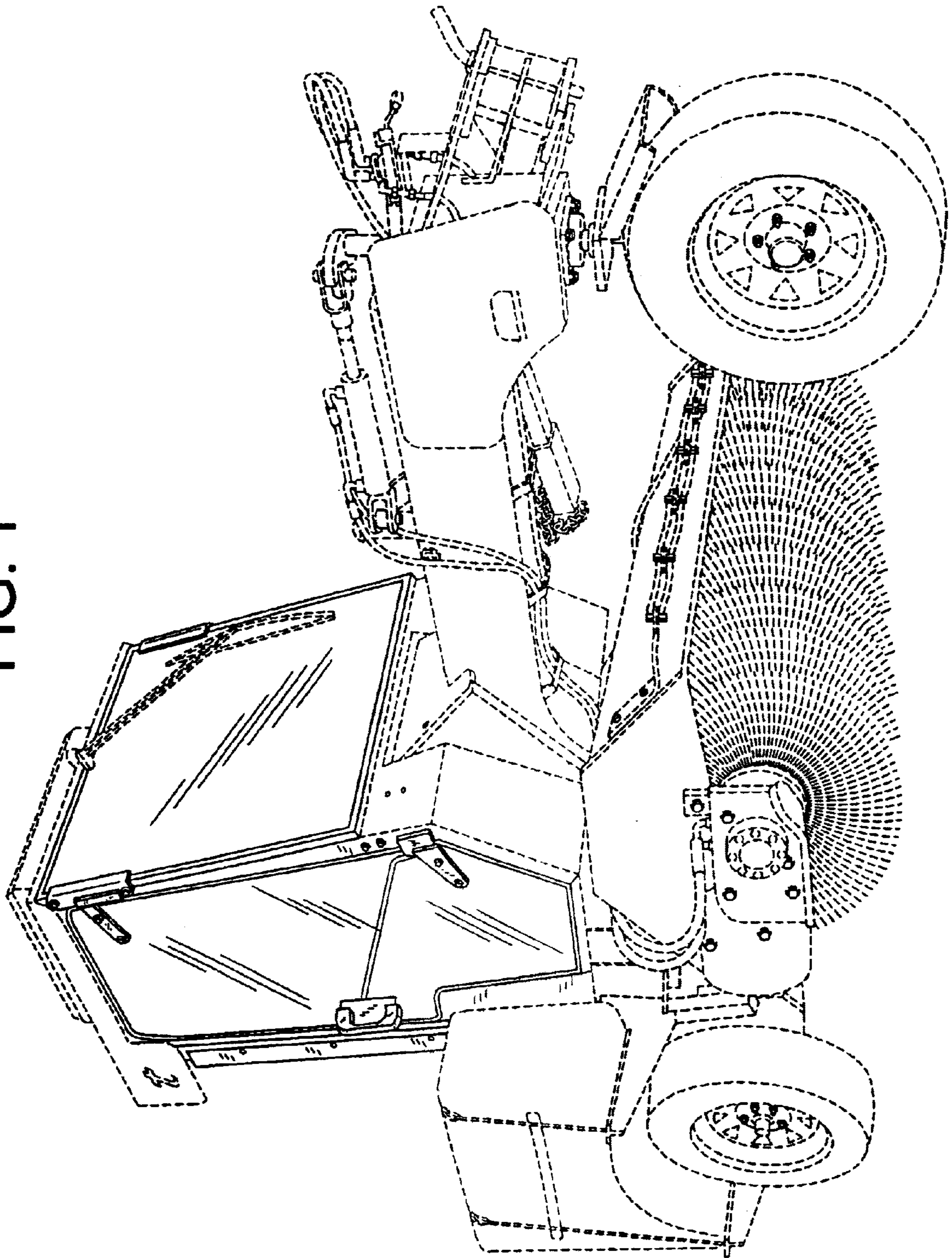




FIG. 2

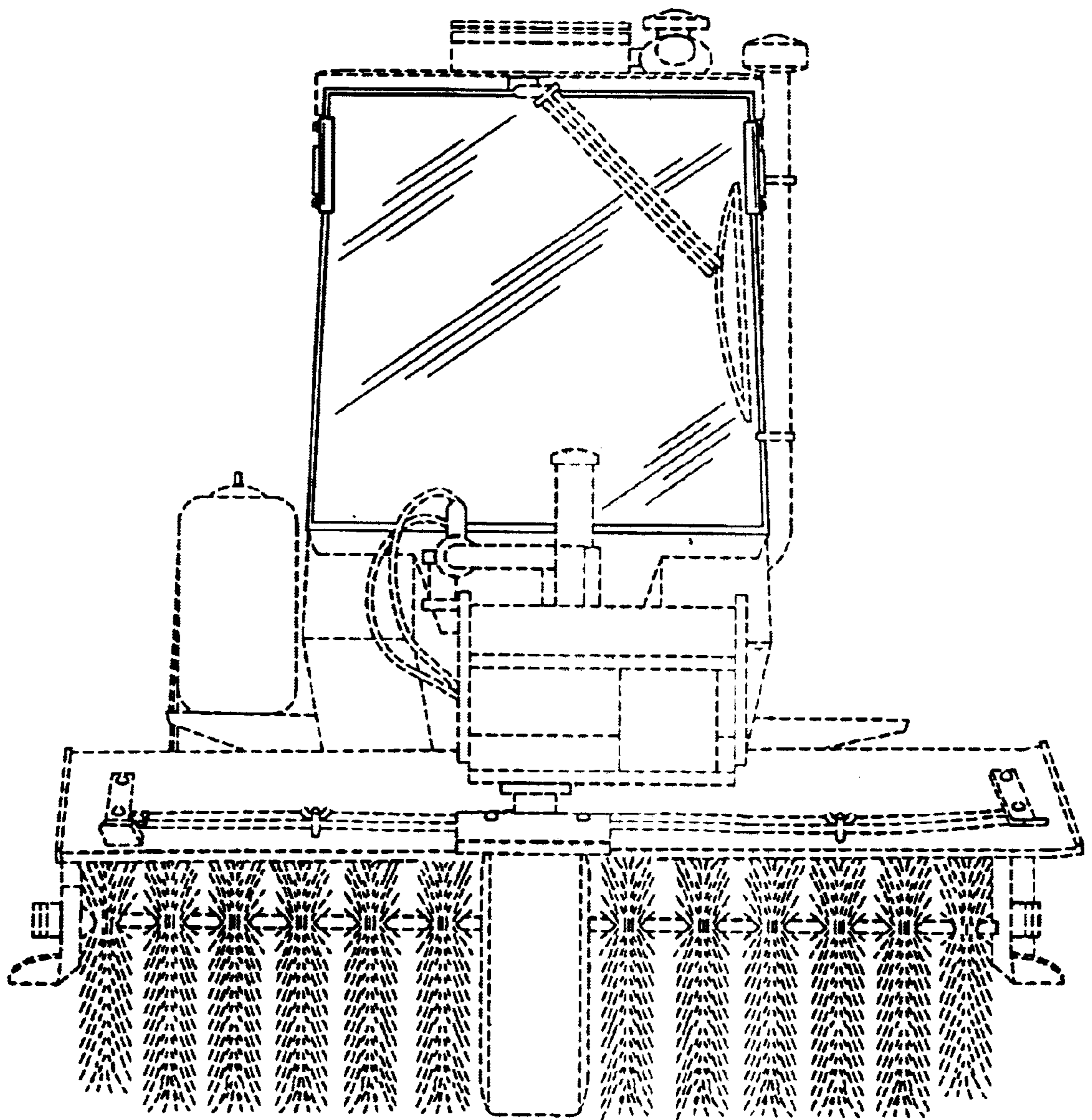


FIG. 3

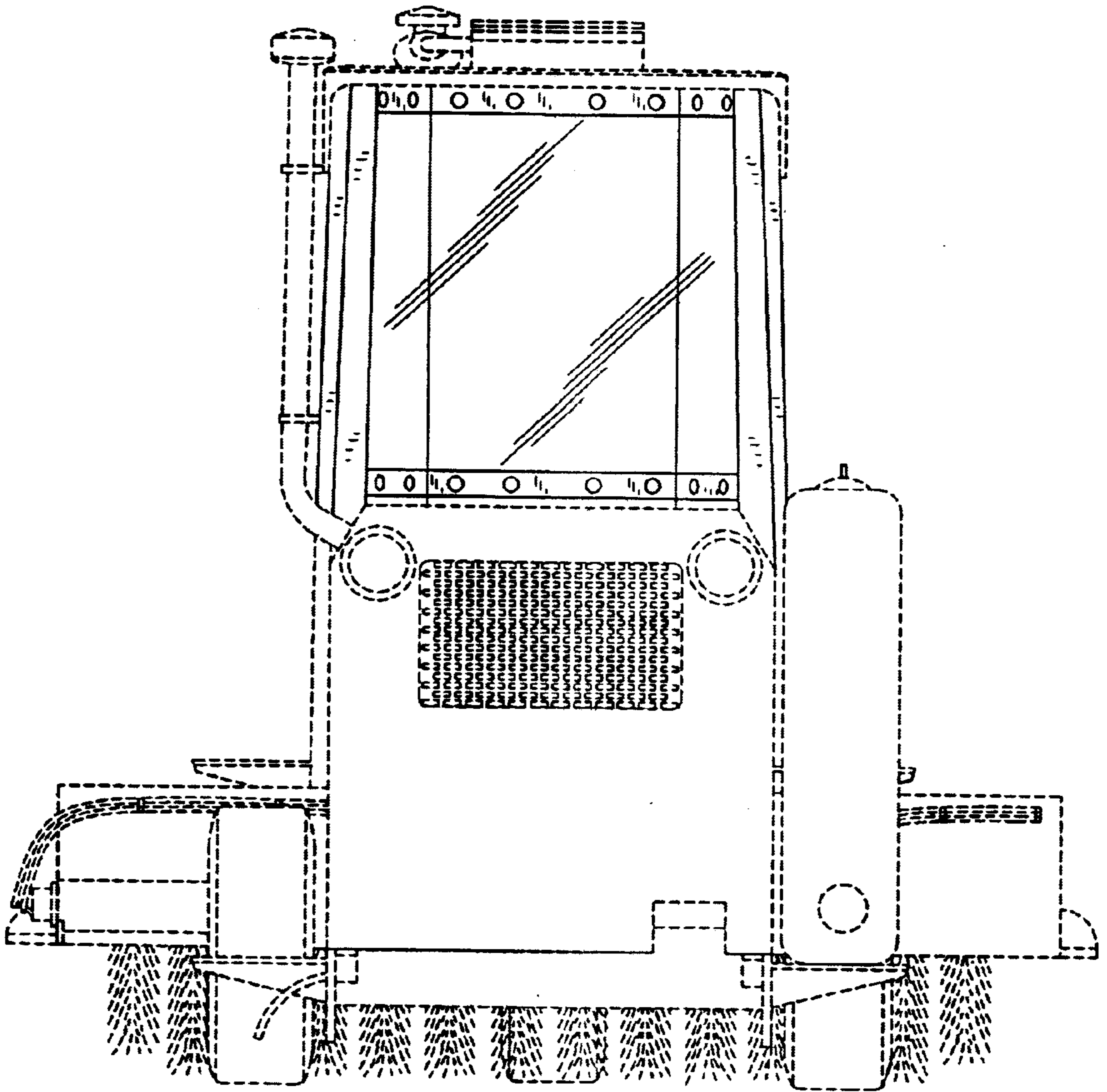


FIG. 4

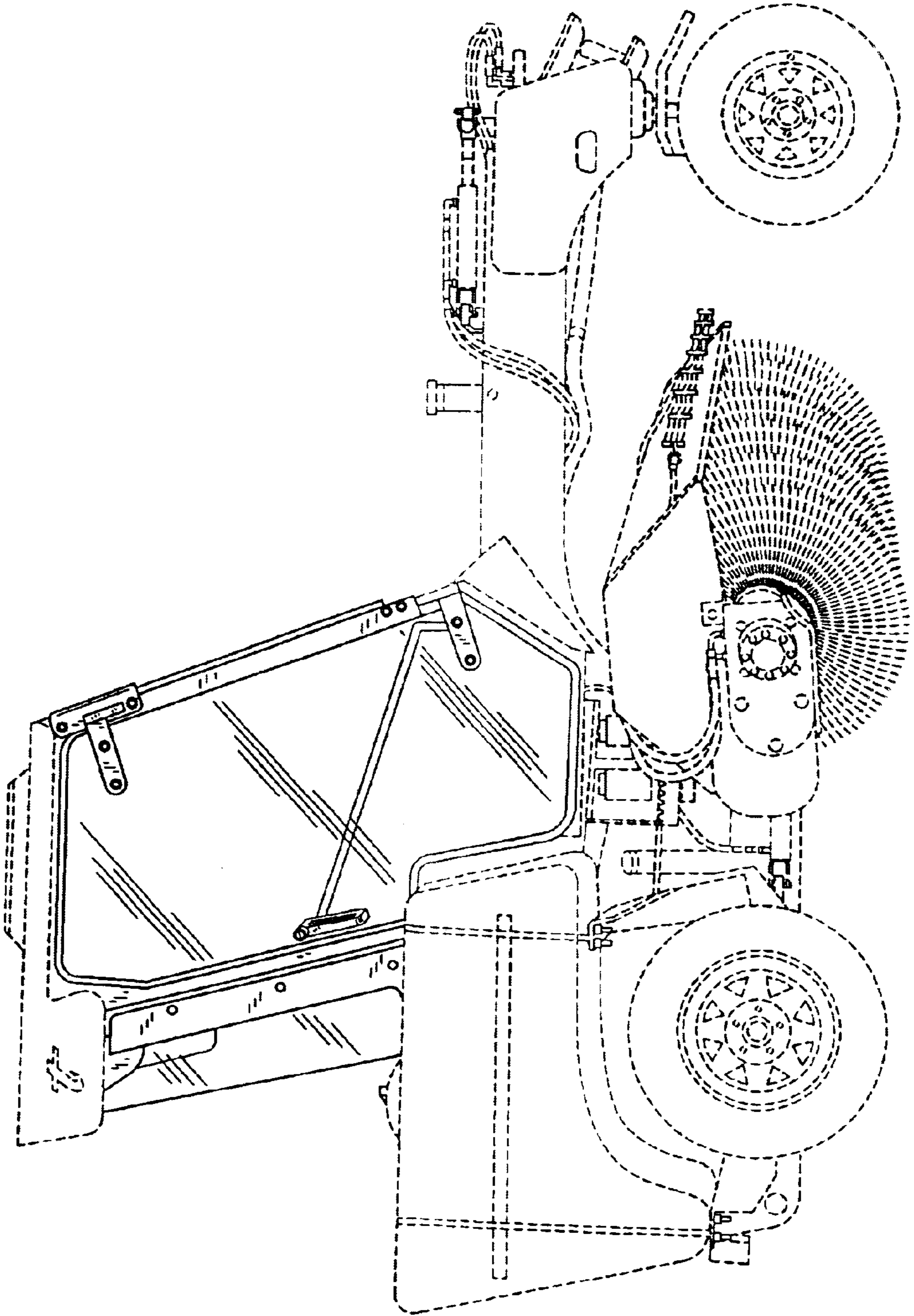




FIG. 5

