



US00D490578S

(12) **United States Design Patent**
McAnally

(10) **Patent No.:** **US D490,578 S**

(45) **Date of Patent:** **** May 25, 2004**

- (54) **DOGTAG**
- (75) Inventor: **Nancy Delight McAnally**, Beaverton, OR (US)
- (73) Assignee: **NanDei McAnally Enterprises, Inc.**, Beaverton, OR (US)
- (**) Term: **14 Years**
- (21) Appl. No.: **29/182,207**
- (22) Filed: **May 20, 2003**

D227,271 S * 6/1973 Nichols D30/155
 6,366,456 B1 * 4/2002 Wu et al. 361/683
 D463,630 S * 9/2002 Halderman D30/155

* cited by examiner

Primary Examiner—Pamela Burgess
 (74) *Attorney, Agent, or Firm*—Blakely Sokoloff Taylor & Zafman LLP

Related U.S. Application Data

- (62) Division of application No. 29/165,346, filed on Aug. 7, 2002, now Pat. No. Des. 480,182.
- (51) **LOC (7) Cl.** **30-08**
- (52) **U.S. Cl.** **D30/155; D21/386; 273/157 R**
- (58) **Field of Search** D30/155; D21/386, D21/479, 480; 40/300–301, 299.01, 1.5, 1.6, 673; 119/858, 859, 860, 863, 865, 709, 654; 273/157 R, 243, 256–257

References Cited

U.S. PATENT DOCUMENTS

D204,238 S * 4/1966 Dumbrell D30/155

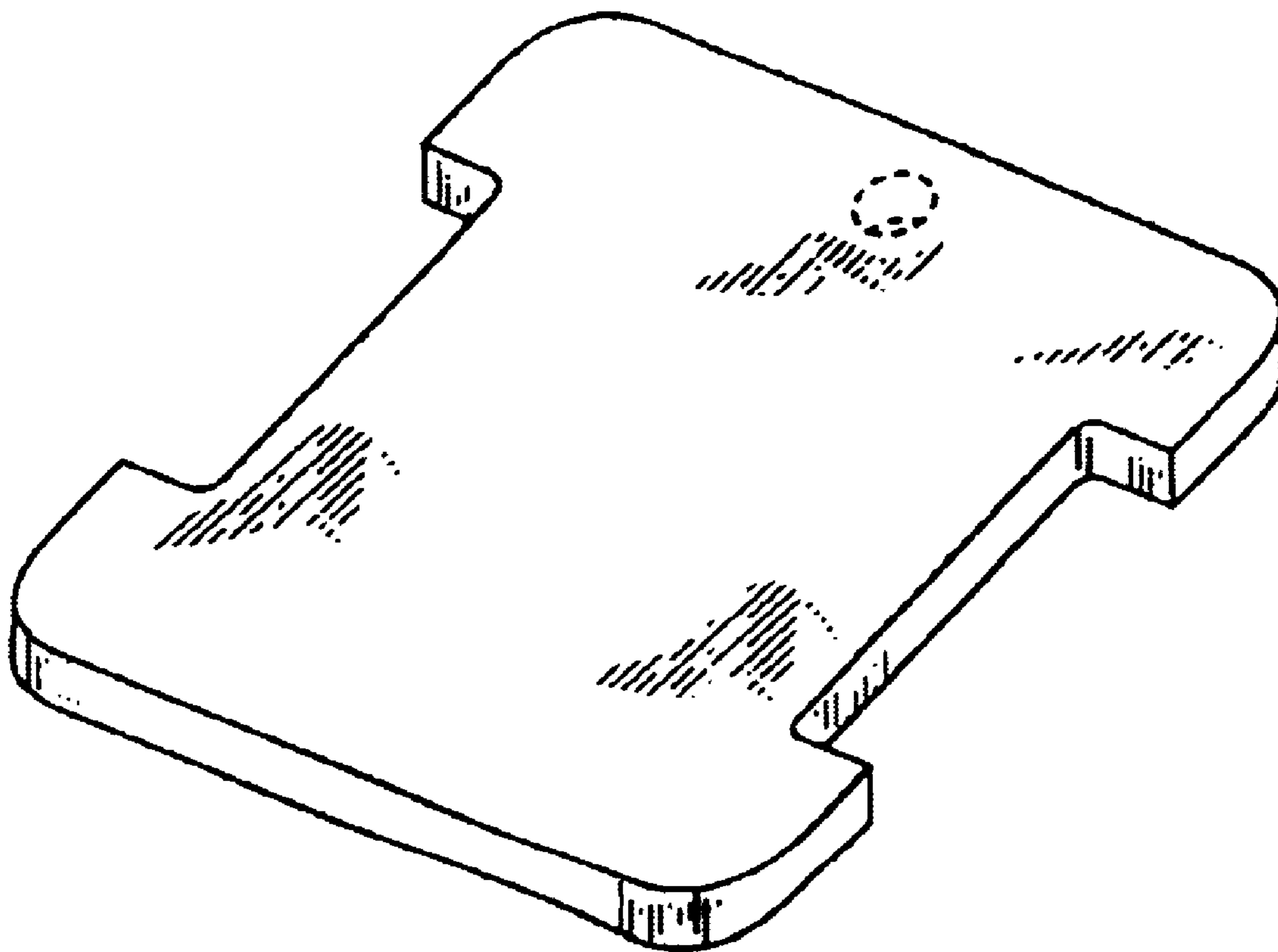
(57) **CLAIM**

The ornamental design for a dogtag, as shown and described.

DESCRIPTION

FIG. 1 is a top plan view of a dogtag showing my new design;
 FIG. 2 is a side elevational view thereof; and,
 FIG. 3 is a top perspective view thereof.
 The broken lines shown in FIGS. 1 and 3 are for illustrative purposes only and form no part of the claimed design.

1 Claim, 1 Drawing Sheet



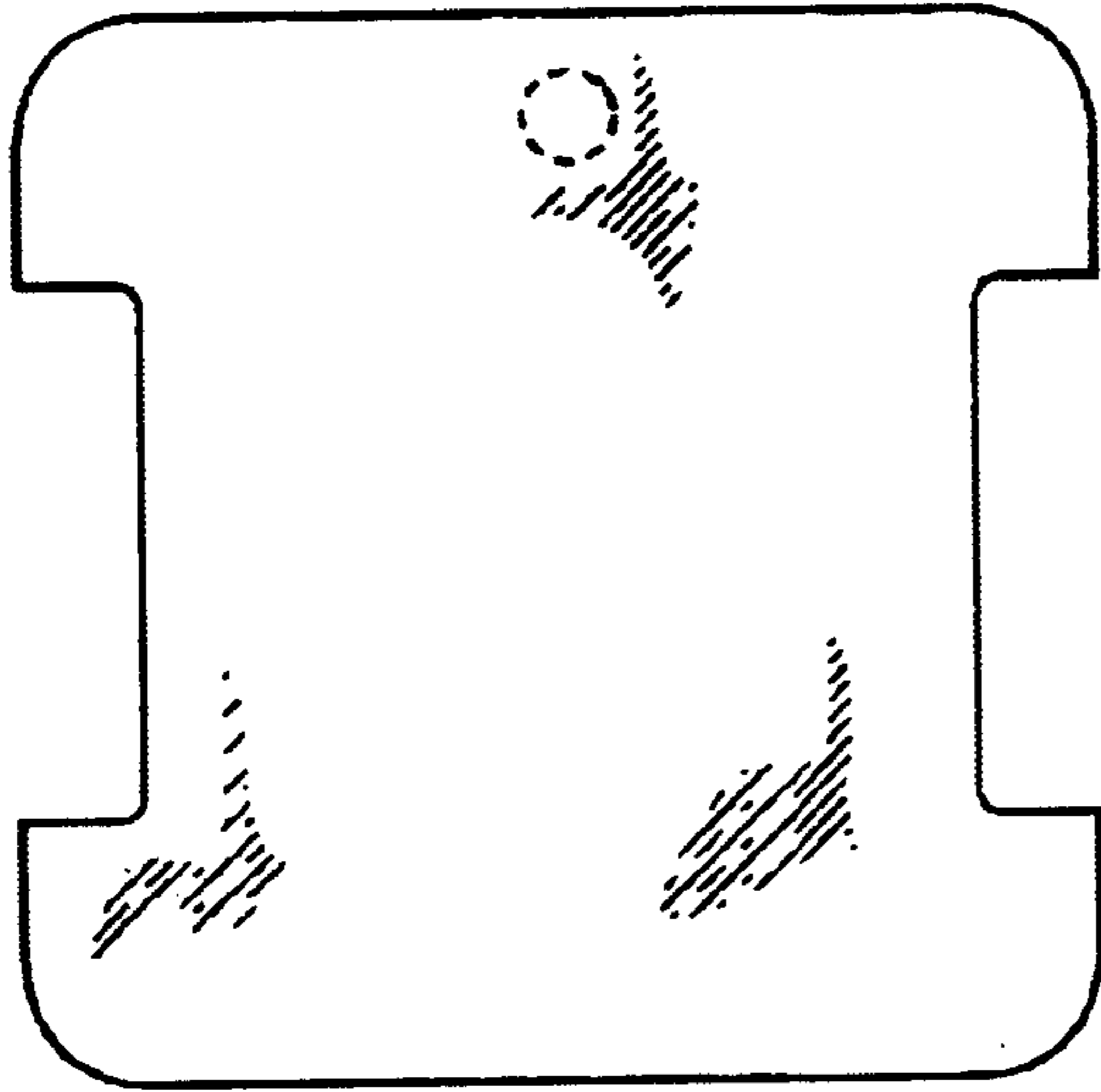


FIG. 1

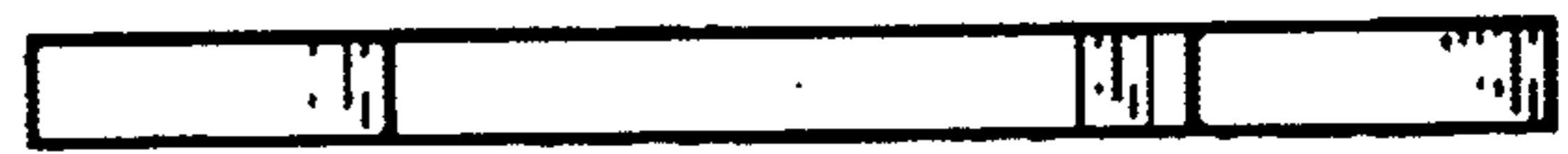


FIG. 2

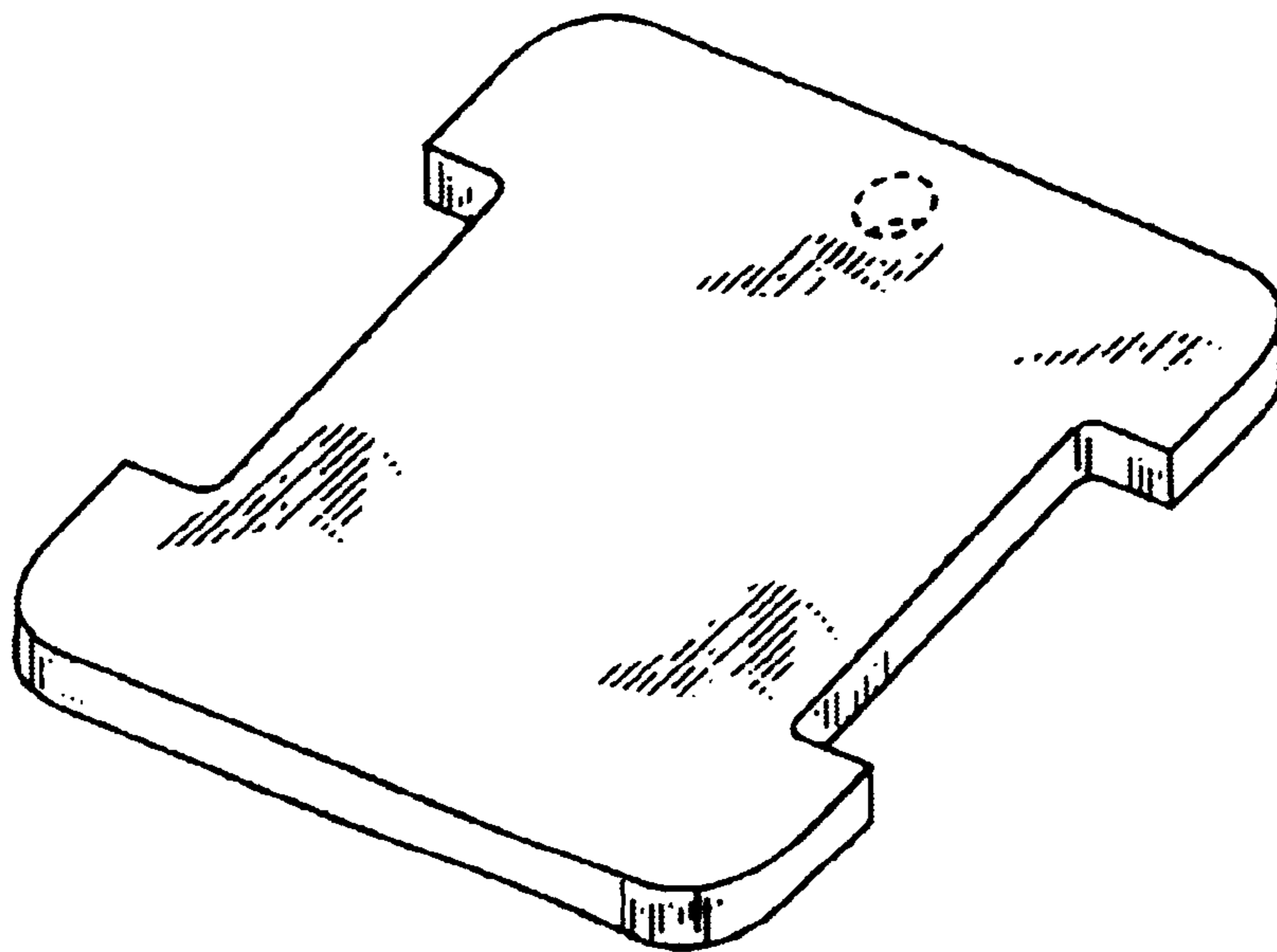


FIG. 3