



US00D490569S

(12) **United States Design Patent**  
**Prochaska**

(10) **Patent No.:** **US D490,569 S**

(45) **Date of Patent:** **\*\* May 25, 2004**

(54) **RAZOR CARTRIDGE OVERCAP**  
(75) Inventor: **Frank H. Prochaska**, Waynesboro, VA (US)  
(73) Assignee: **American Safety Razor Company**, Verona, VA (US)  
(\*\*) Term: **14 Years**

5,669,139 A	9/1997	Oldroyd et al.	30/47
5,865,189 A	2/1999	Andrews	132/200
D407,531 S	3/1999	Lee	D28/47
5,893,213 A	4/1999	Motta	30/540
6,161,288 A	12/2000	Andrews	30/50
D437,087 S	1/2001	Yamagishi	D28/48
D440,012 S	4/2001	Lee	D28/47
D443,111 S	5/2001	Nakasuka	D28/47

(21) Appl. No.: **29/151,280**  
(22) Filed: **Dec. 6, 2001**  
(51) **LOC (7) Cl.** ..... **28-03**  
(52) **U.S. Cl.** ..... **D28/47**  
(58) **Field of Search** ..... D28/44-47; 30/32, 30/34.05, 47-51, 84, 539, 540

**FOREIGN PATENT DOCUMENTS**

EP 0878275 A1 11/1998

\* cited by examiner

*Primary Examiner*—Philip S. Hyder  
*Assistant Examiner*—C Tuttle  
(74) *Attorney, Agent, or Firm*—McDermott, Will & Emery

(56) **References Cited**  
**U.S. PATENT DOCUMENTS**

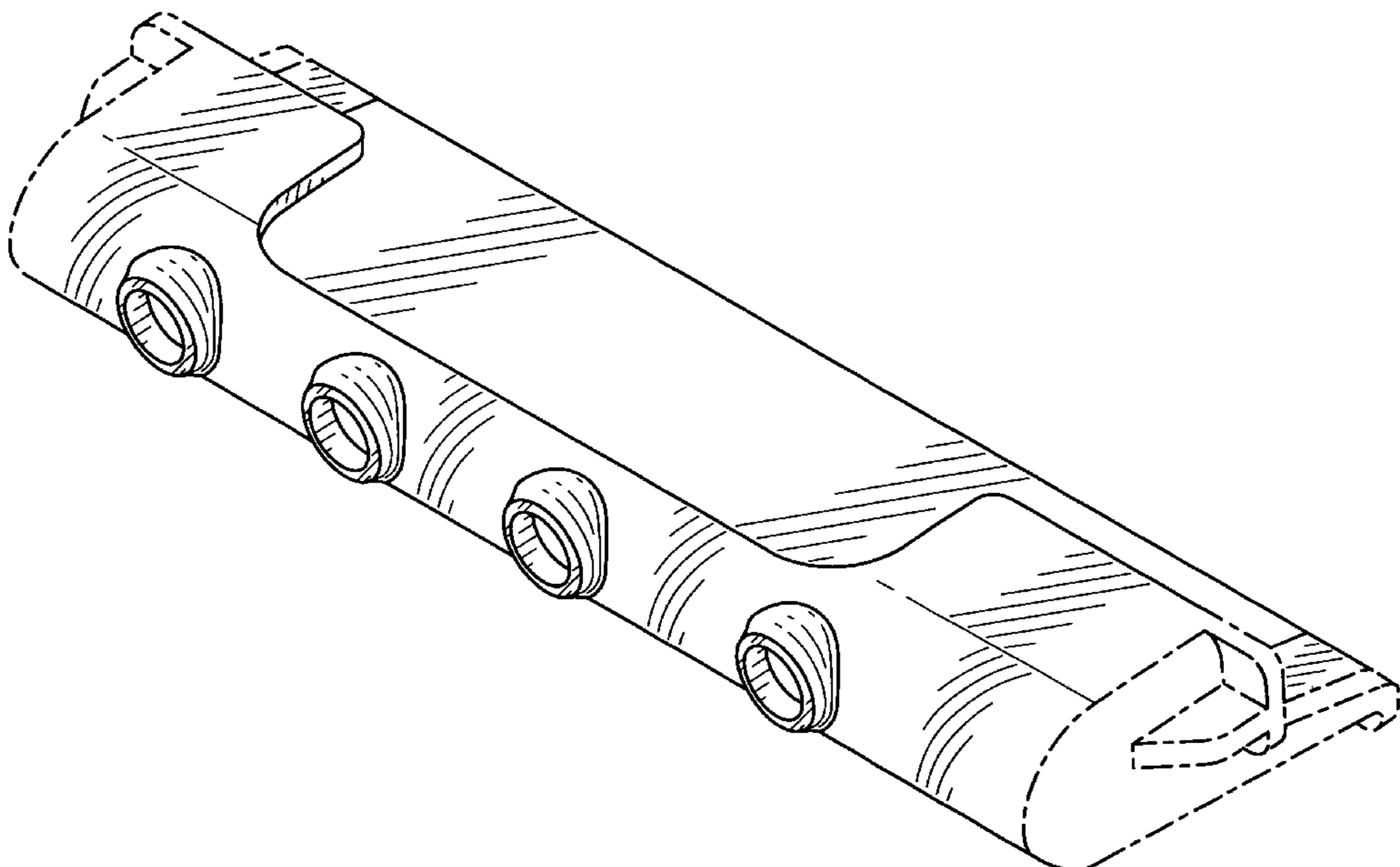
4,328,615 A	5/1982	Bowman et al.	30/32
D271,531 S	11/1983	Byrne	D28/46
4,443,938 A	4/1984	Bowman et al.	30/47
D284,316 S	6/1986	Halm	D28/44
4,709,476 A	12/1987	Shurtleff et al.	30/41
D294,528 S	3/1988	Gray	D28/46
4,777,722 A *	10/1988	Trotta	30/84
D308,427 S	6/1990	Gyllerstrom	D28/46
4,985,995 A *	1/1991	Coffin	30/84
4,996,772 A	3/1991	Iten	30/41
5,070,613 A	12/1991	Althaus et al.	30/50
D343,254 S	1/1994	Miller et al.	D28/47
D343,255 S	1/1994	Miller et al.	D28/47
D345,233 S	3/1994	Gray	D28/47
5,341,571 A	8/1994	Prochaska	30/50
5,416,973 A	5/1995	Brown et al.	30/34.2
5,522,137 A	6/1996	Andrews	30/50
D373,218 S	8/1996	Shurtleff et al.	D28/47
5,575,068 A	11/1996	Pedersen	30/47

(57) **CLAIM**  
The ornamental design for a razor cartridge overcap, as shown and described.

**DESCRIPTION**

FIG. 1 is a bottom and front perspective view of the razor cartridge overcap;  
FIG. 2 is a front view of the razor cartridge overcap;  
FIG. 3 is a bottom view of the razor cartridge overcap;  
FIG. 4 is a top view of the razor cartridge overcap;  
FIG. 5 is an inverted right side view of the razor cartridge overcap; and,  
FIG. 6 is an inverted left side view of the razor cartridge overcap.  
The broken lines immediately adjacent the shaded area of the bottom, front, and top surfaces define the bounds of the claimed design; all other broken lines are for illustrative purposes only. None of the broken lines form a part of the claim.

**1 Claim, 5 Drawing Sheets**



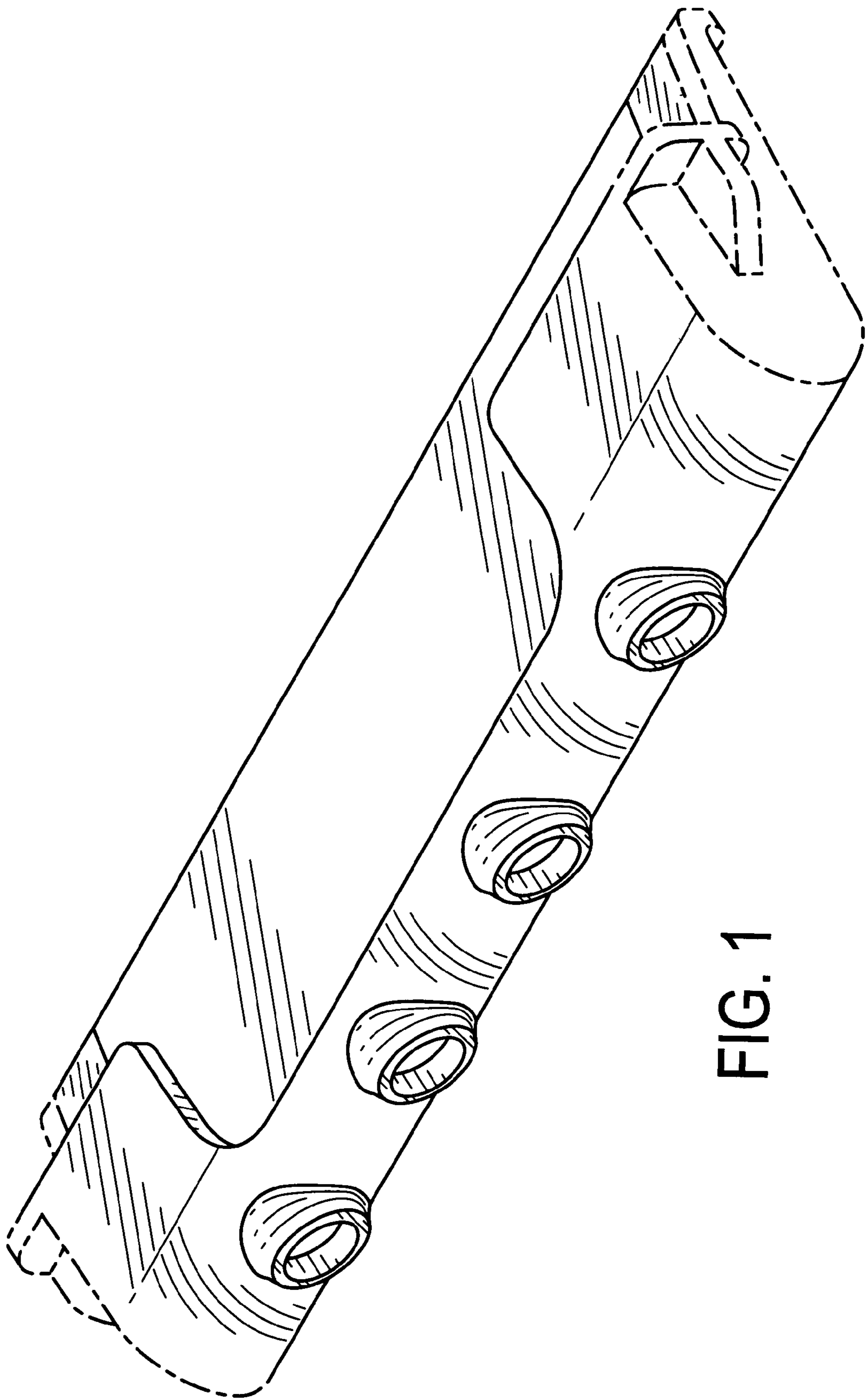


FIG. 1

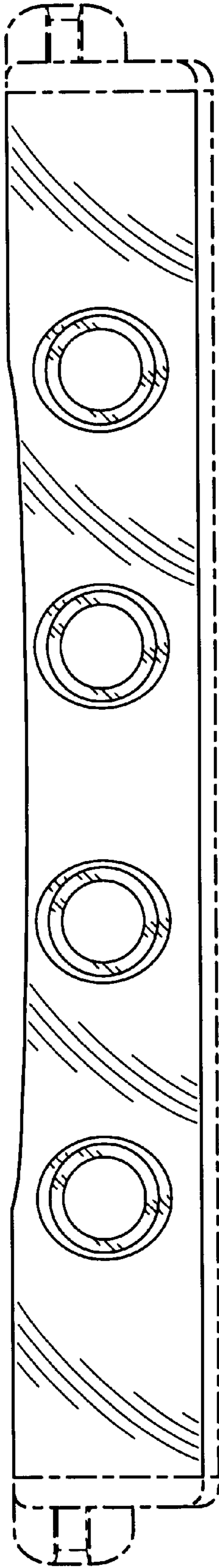


FIG. 2

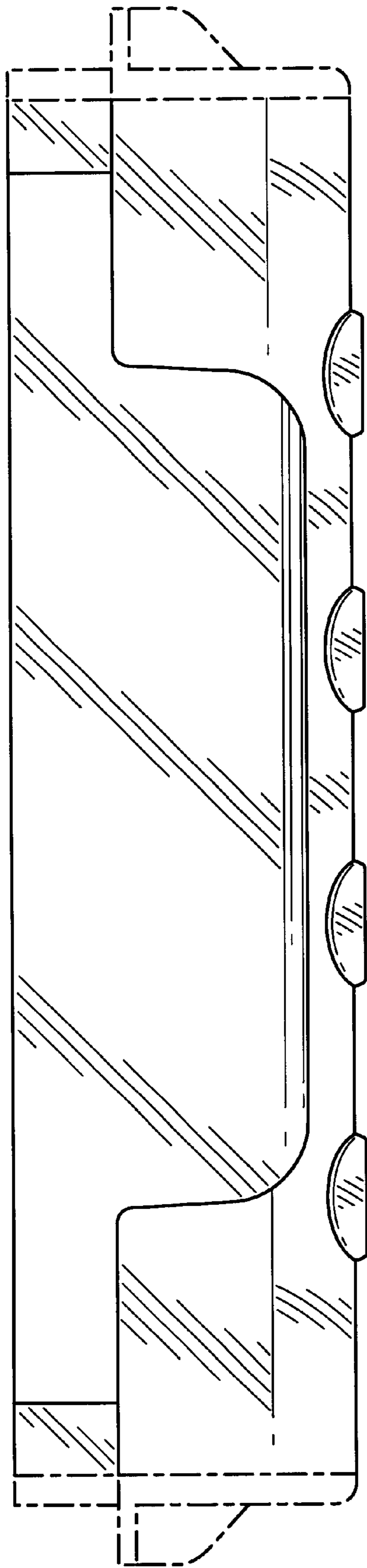


FIG. 3

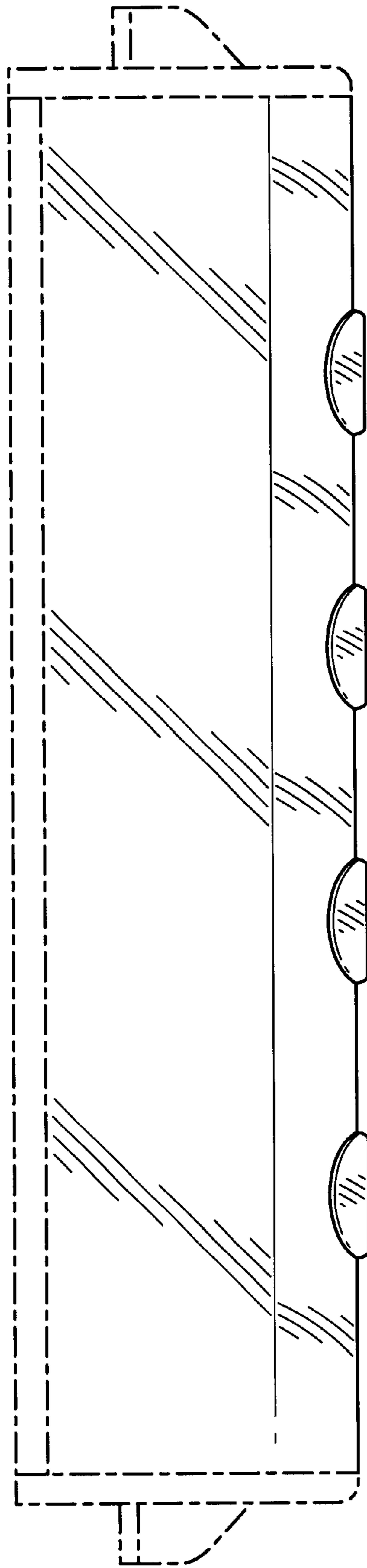


FIG. 4

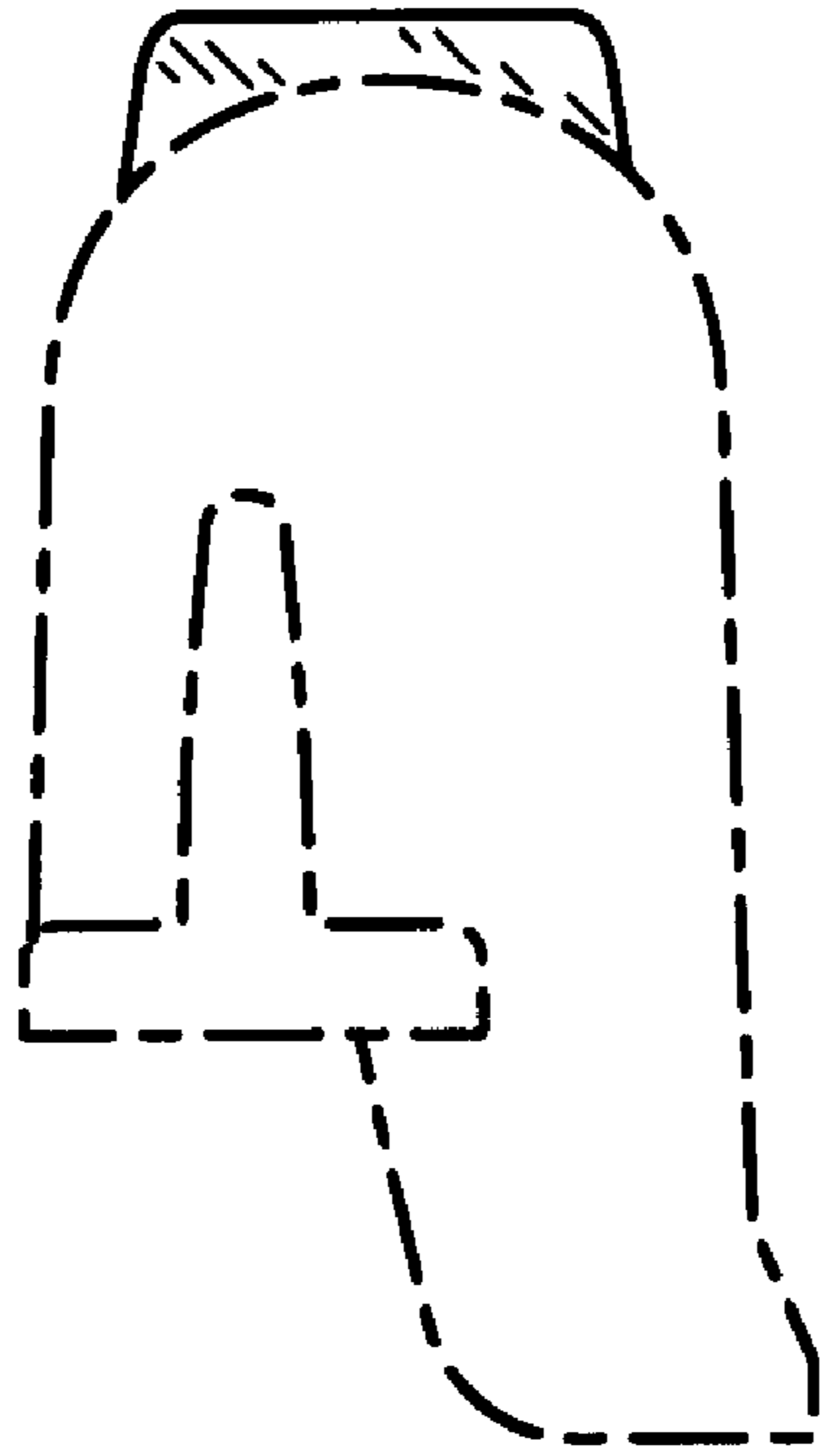


FIG. 6

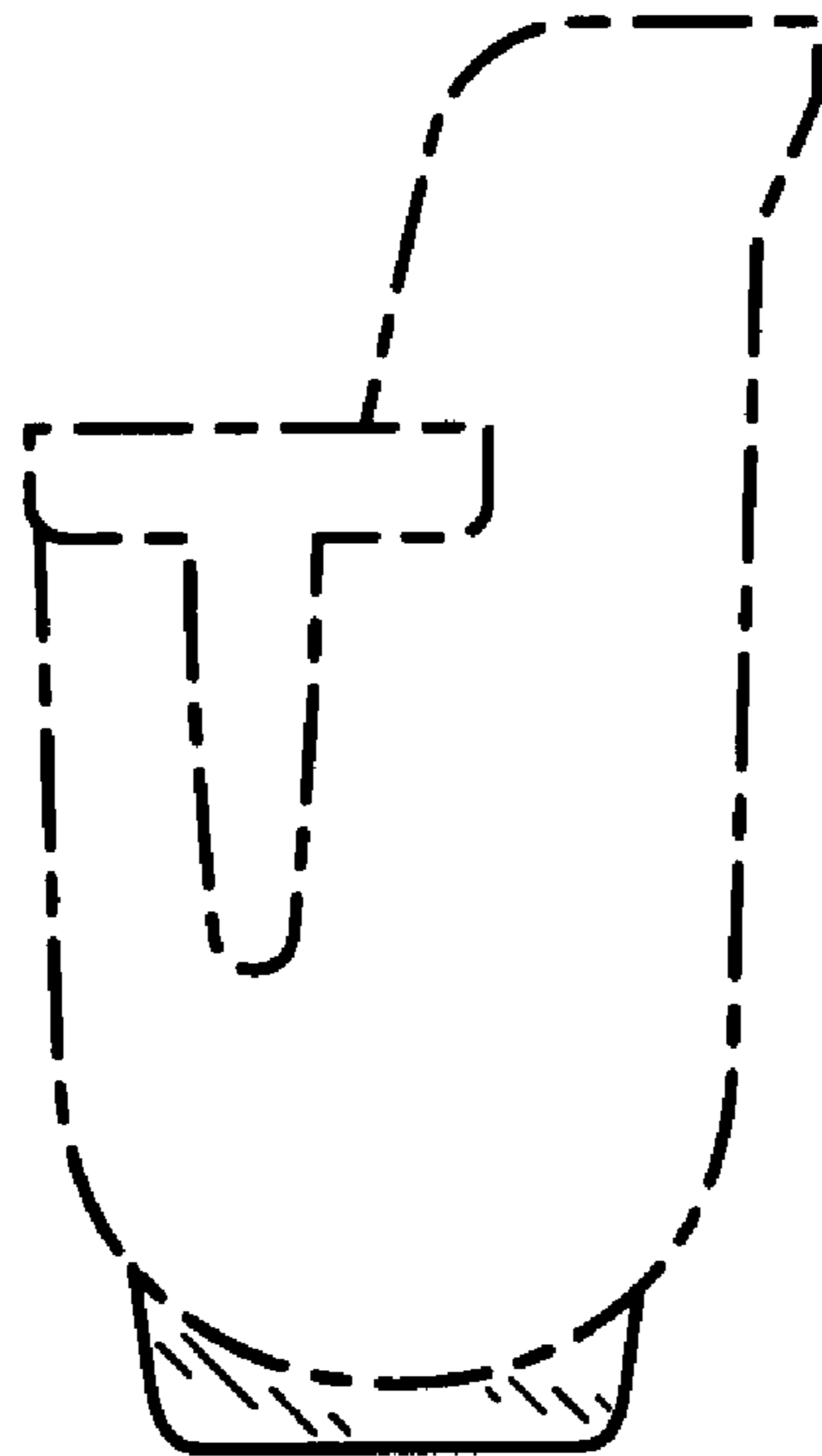


FIG. 5