



US00D490567S

(12) **United States Design Patent**  
**McLeish**

(10) **Patent No.:** **US D490,567 S**

(45) **Date of Patent:** **\*\* May 25, 2004**

(54) **CAPSULE**

(75) **Inventor:** **Andrew Robert McLeish**, Sheffield  
(GB)

(73) **Assignee:** **Reckitt Benckiser N.V.**, Hoofddorp  
(NL)

(\*\*) **Term:** **14 Years**

(21) **Appl. No.:** **29/175,215**

(22) **Filed:** **Jan. 31, 2003**

**Related U.S. Application Data**

(62) Division of application No. 29/151,926, filed on Dec. 11, 2001, now Pat. No. Des. 474,857.

(30) **Foreign Application Priority Data**

Jun. 11, 2001	(BX)	.....	78415-02
Jun. 11, 2001	(BX)	.....	78415-03
Jun. 11, 2001	(BX)	.....	78415-01

(51) **LOC (7) Cl.** ..... **28-02**

(52) **U.S. Cl.** ..... **D28/8.1**

(58) **Field of Search** ..... D28/8.1, 8.2, 4;  
D24/104; 206/77.1; 510/133, 137-149,  
191, 192, 198, 224, 225, 298, 140, 441,  
445, 449

(56) **References Cited**

**U.S. PATENT DOCUMENTS**

D451,243	S	11/2001	Katz et al.	
6,403,543	B1	6/2002	George	
D485,643	S	* 1/2004	McLeish	..... D28/8.1

\* cited by examiner

*Primary Examiner*—Antoine Duval Davis

(74) *Attorney, Agent, or Firm*—Akin Gump Strauss Hauer & Feld, L.L.P.

(57) **CLAIM**

The ornamental design for a capsule, as shown and described.

**DESCRIPTION**

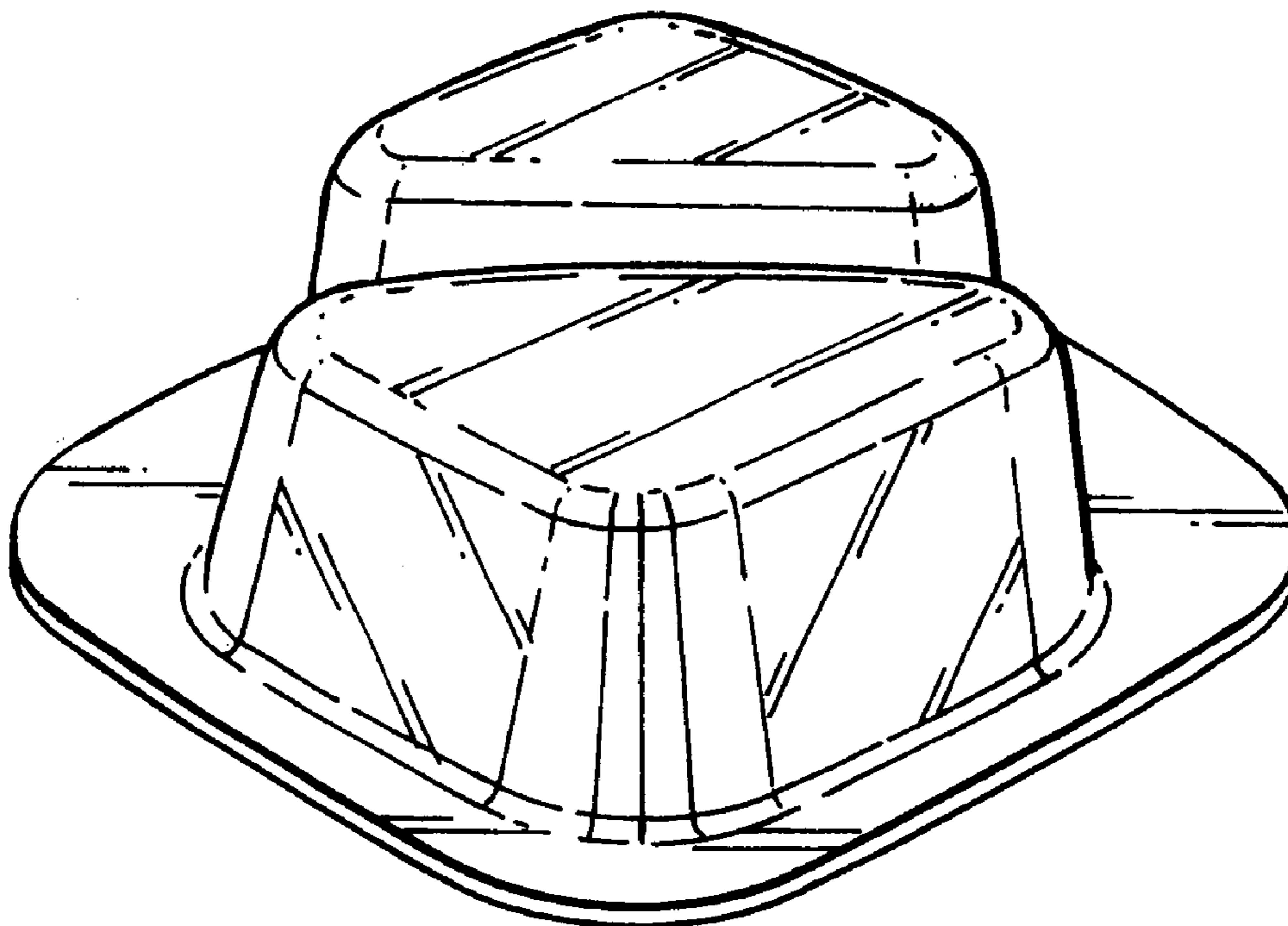
FIG. 1 is a perspective view of a capsule in accordance with a preferred embodiment of my new design;

FIG. 2 is a top plan view thereof;

FIG. 3 is a bottom plan view thereof; and

FIG. 4 is a front elevational view thereof, a rear elevational view being identical, and left and right side elevational views thereof being a mirror image thereof.

**1 Claim, 1 Drawing Sheet**



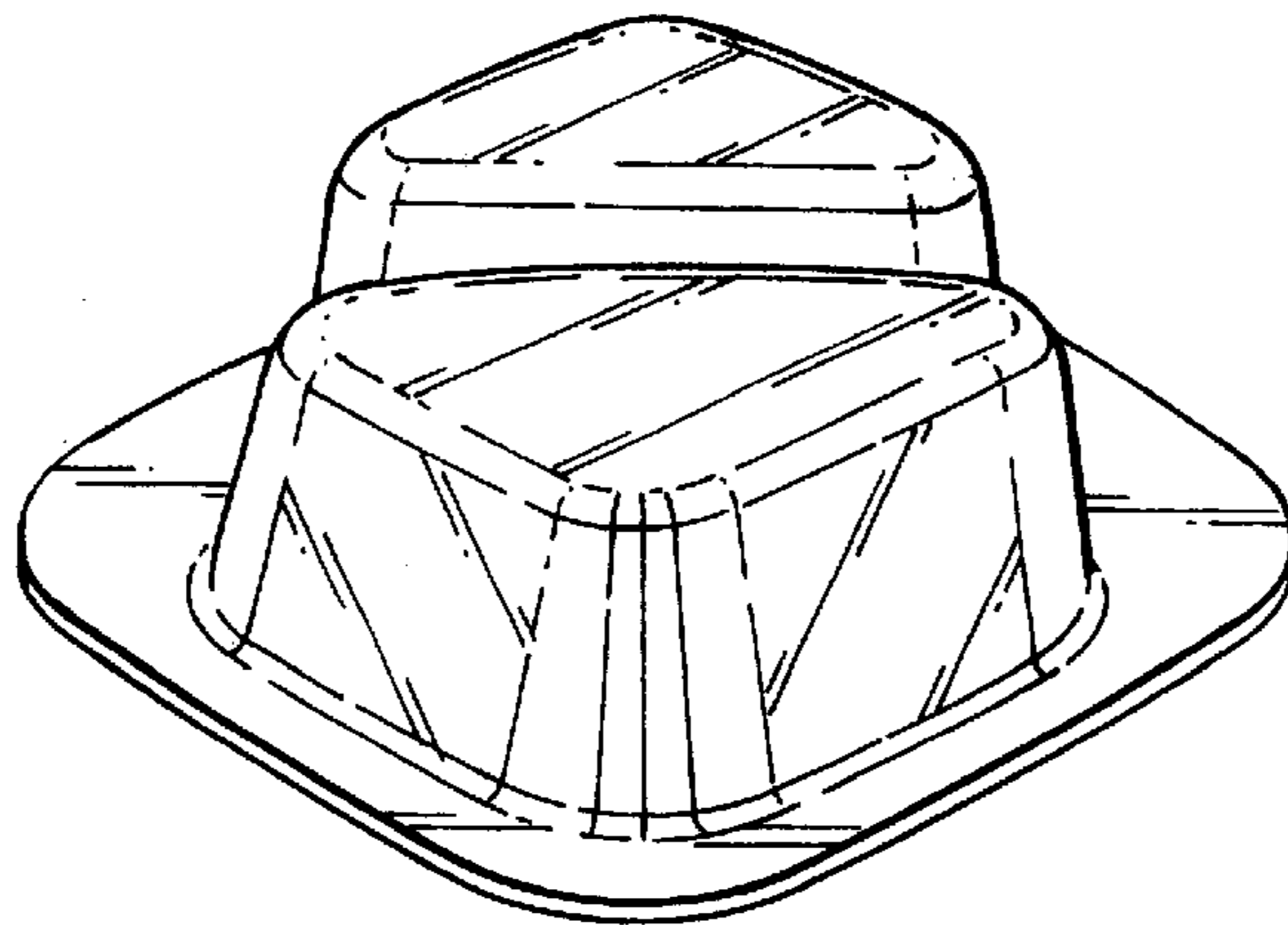


Fig. 1.

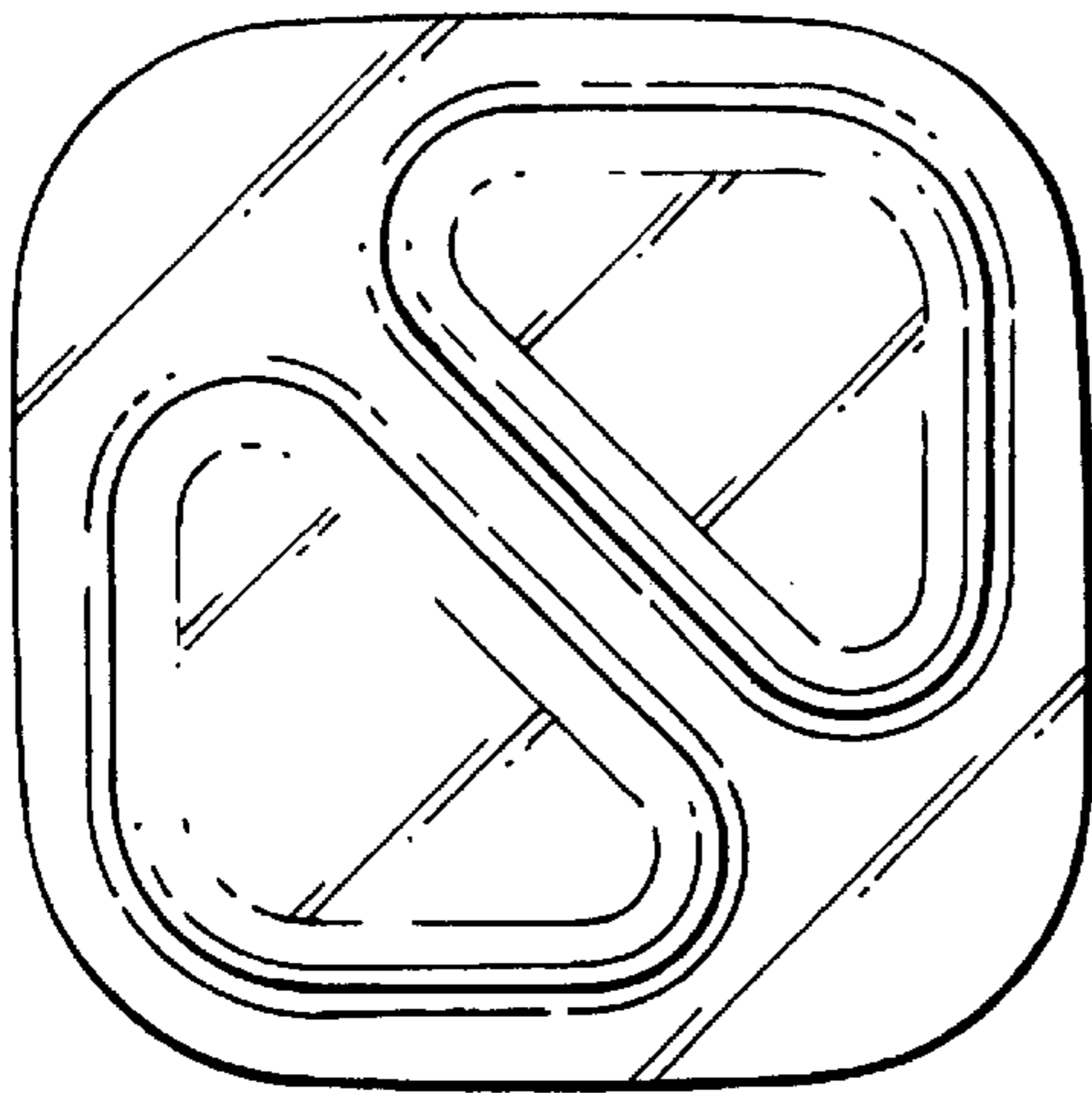


Fig. 2.

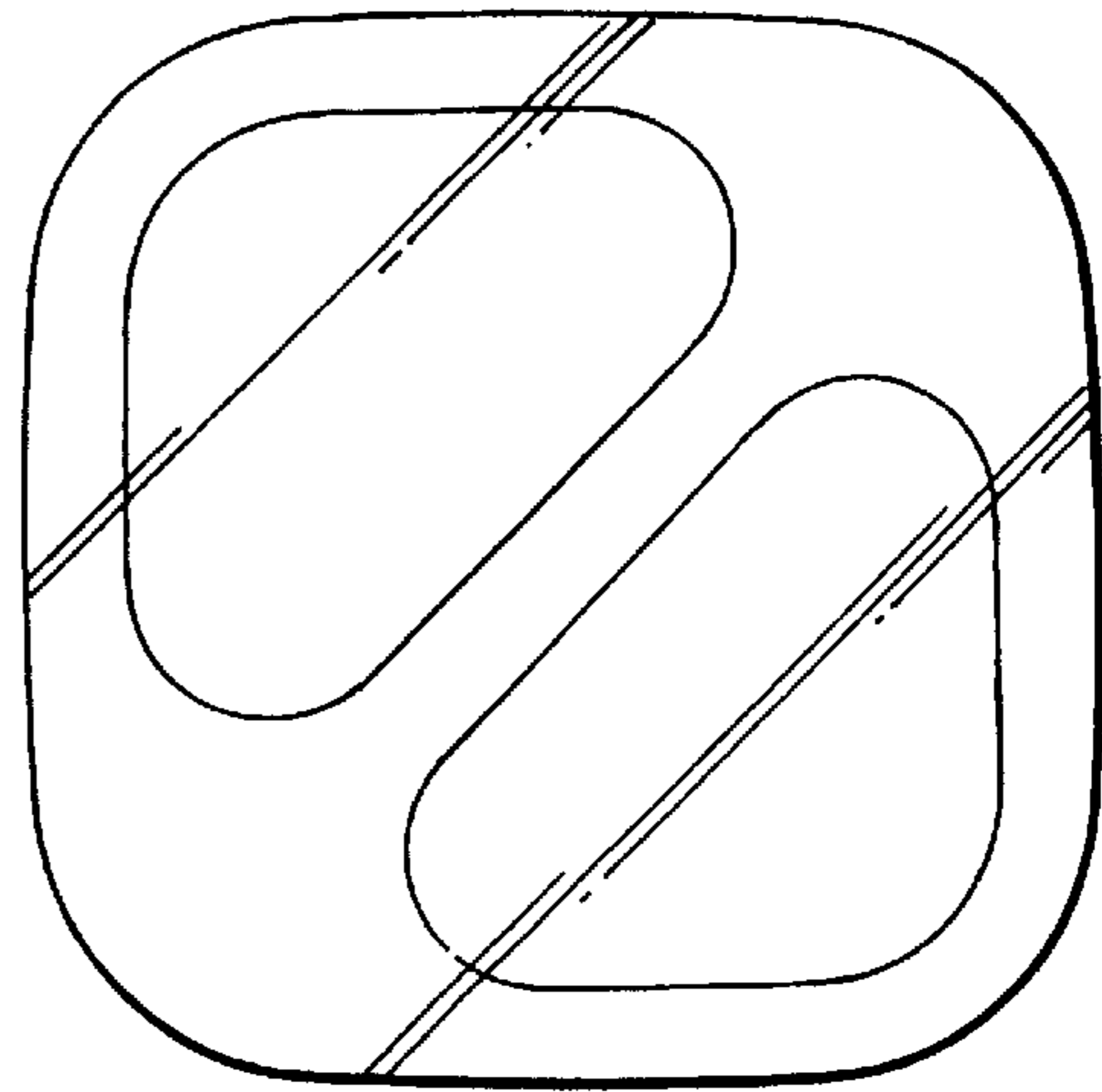


Fig. 3.

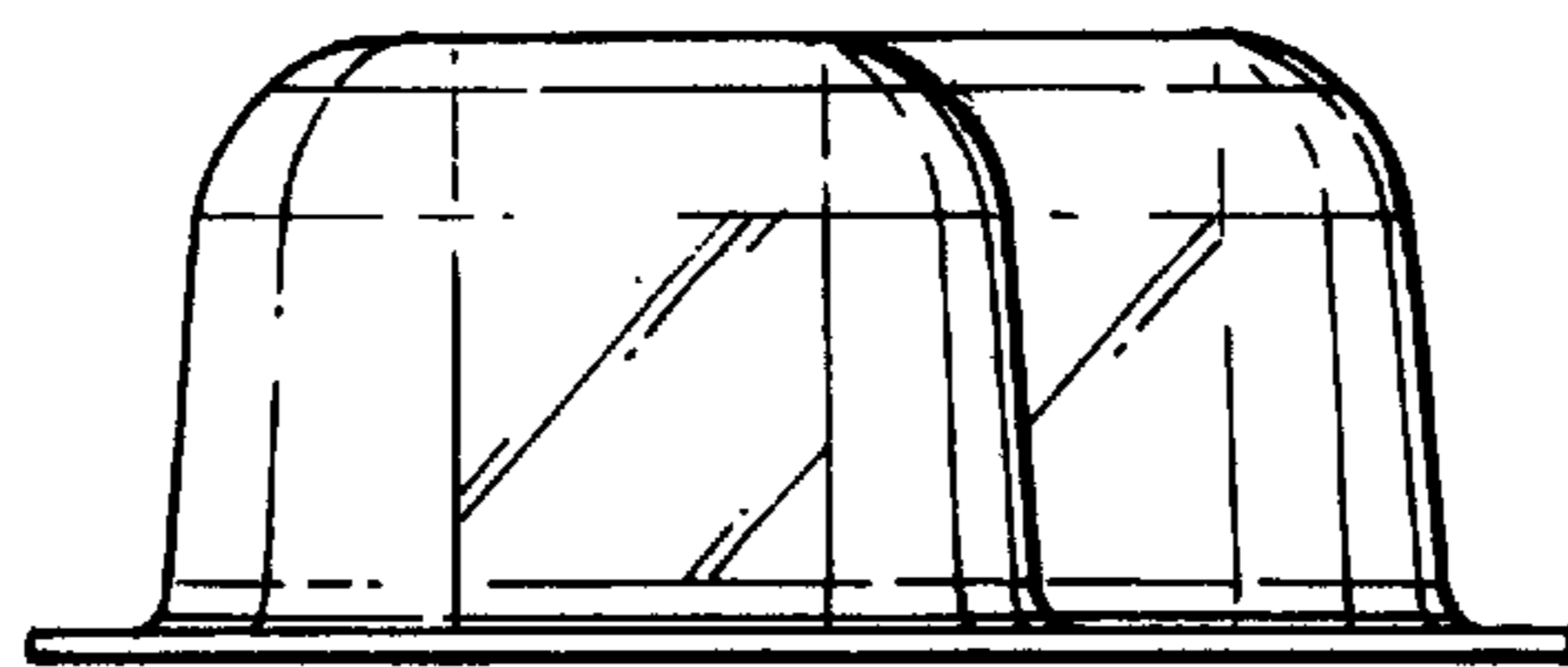


Fig. 4.