



US00D490559S

(12) **United States Design Patent**  
**Small**

(10) **Patent No.:** **US D490,559 S**

(45) **Date of Patent:** **\*\* May 25, 2004**

(54) **MOUNTING BRACKET FOR CHANDELIER LIGHT FIXTURE**

5,624,202 A \* 4/1997 Grierson ..... 403/380  
6,595,664 B2 \* 7/2003 Bucher et al. .... 362/404

(76) **Inventor:** **Everett L. Small**, 464 Birchwood Trail NE., Concord, NC (US) 28025

\* cited by examiner

(\*\*) **Term:** **14 Years**

*Primary Examiner*—Jennifer Rivard

(74) *Attorney, Agent, or Firm*—Donald R. Schoonover

(21) **Appl. No.:** **29/172,670**

(57) **CLAIM**

(22) **Filed:** **Dec. 16, 2002**

I claim the ornamental design for a mounting bracket for chandelier light fixture, as shown and described.

(51) **LOC (7) Cl.** ..... **26-99**

**DESCRIPTION**

(52) **U.S. Cl.** ..... **D26/138**

(58) **Field of Search** ..... 248/226.12, 343;  
362/362, 382, 396, 404, 406, 368, 370;  
403/380; D26/138; D8/373

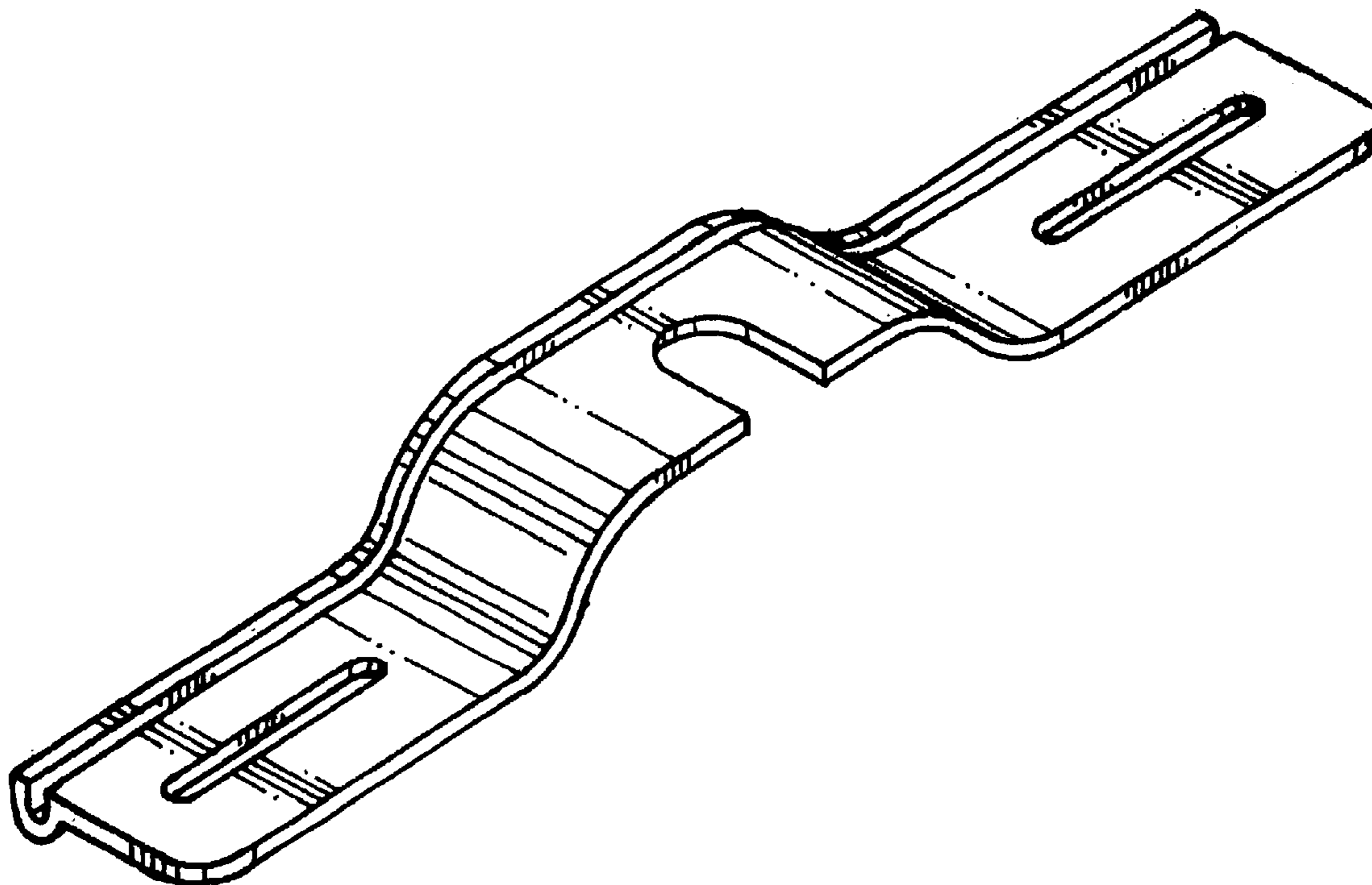
FIG. 1 is a perspective view of a mounting bracket for chandelier light fixture showing my new design;  
FIG. 2 is a front elevational view thereof;  
FIG. 3 is a rear elevational view thereof;  
FIG. 4 is a left side elevational view thereof, the right side elevational view being a mirror image thereof;  
FIG. 5 is a top plan view thereof;  
FIG. 6 is a bottom plan view thereof; and,  
FIG. 7 is a reduced perspective view showing the mounting bracket for chandelier light fixture in use; the broken lines showing environmental structure are for illustrative purposes only and form no part of the claimed design.

(56) **References Cited**

**U.S. PATENT DOCUMENTS**

2,461,786	A	*	2/1949	Terr	.....	362/404
3,979,584	A		9/1976	Fossati		
4,477,866	A		10/1984	Goralnik		
5,090,654	A		2/1992	Ridings et al.		
5,154,579	A		10/1992	Rezek		
5,242,269	A	*	9/1993	Chang	.....	248/343
5,258,900	A		11/1993	Bayer		
5,404,284	A		4/1995	Davis, Jr.		

**1 Claim, 3 Drawing Sheets**



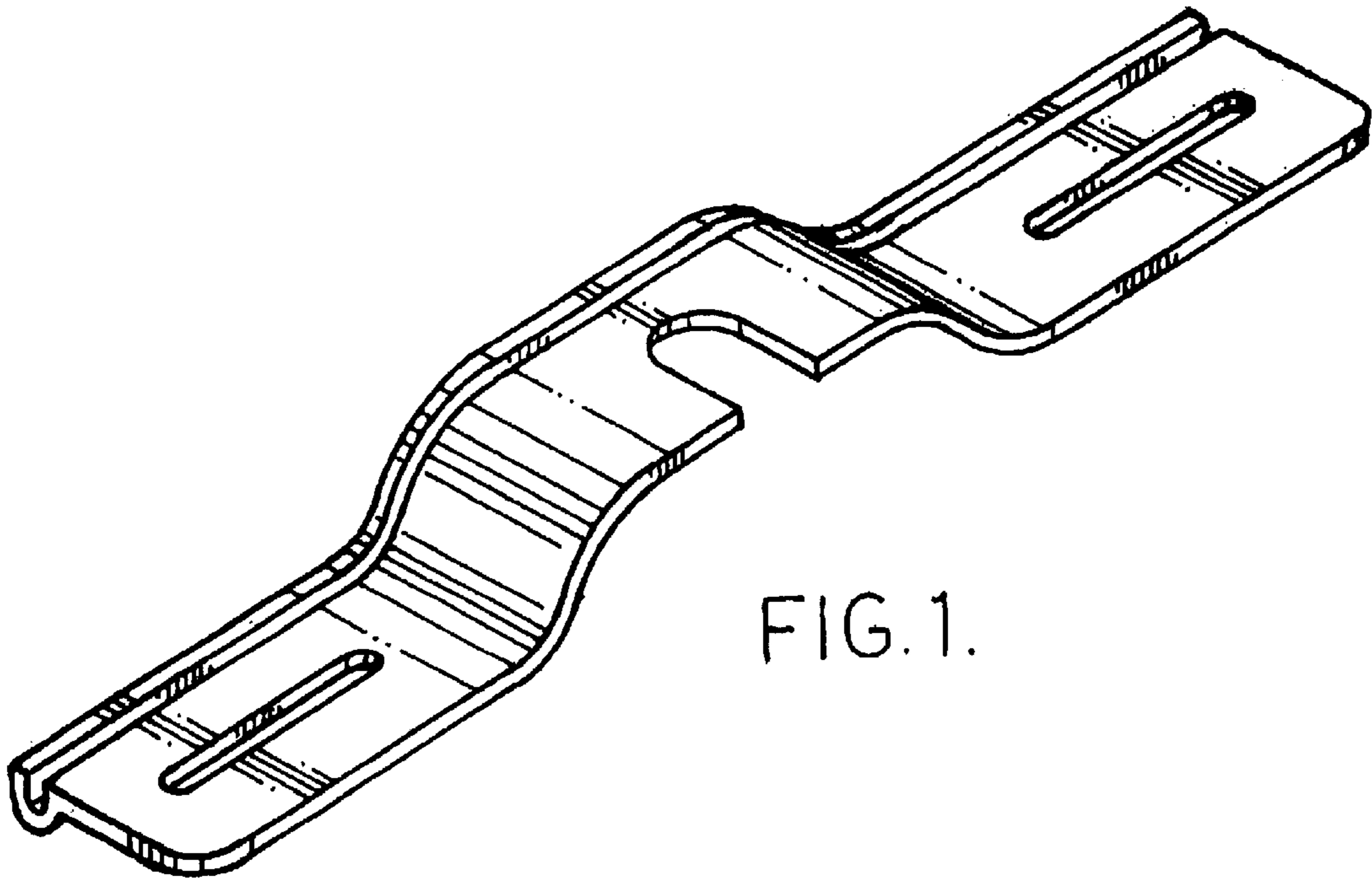


FIG. 1.

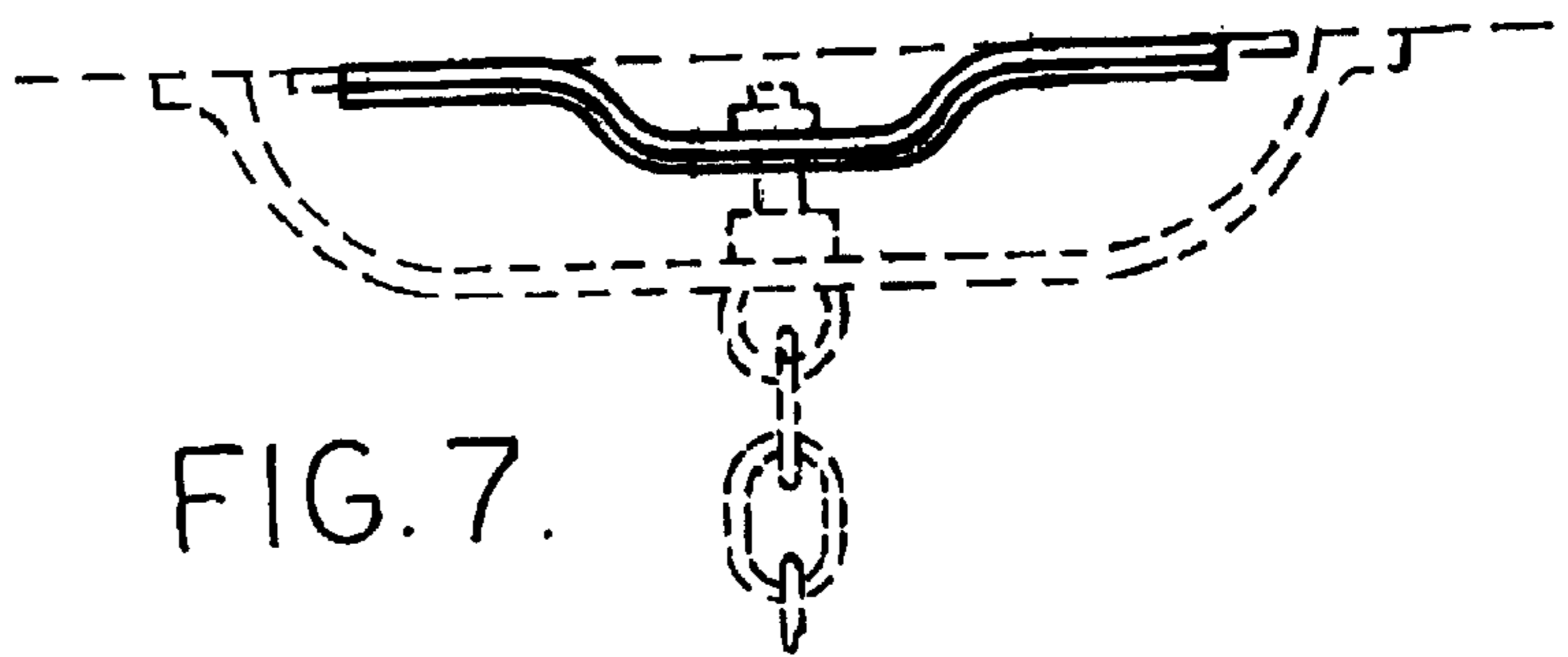


FIG. 7.

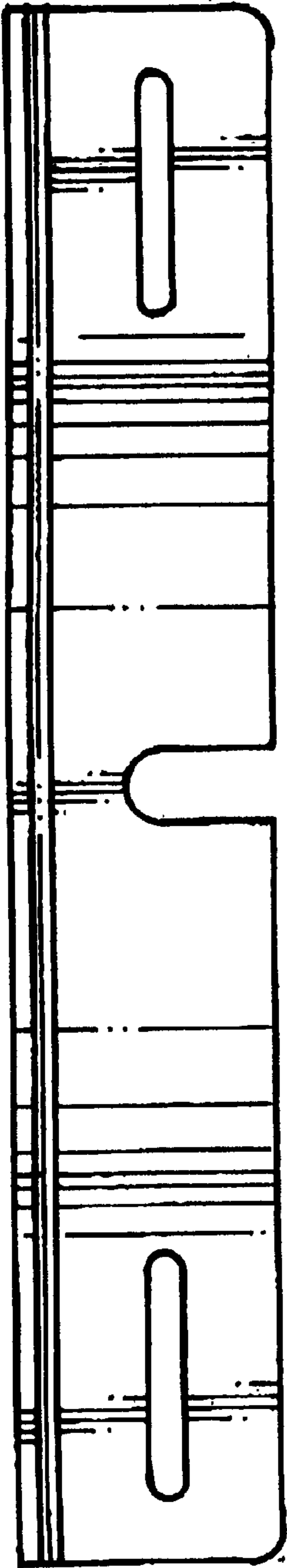


FIG. 5.



FIG. 2.

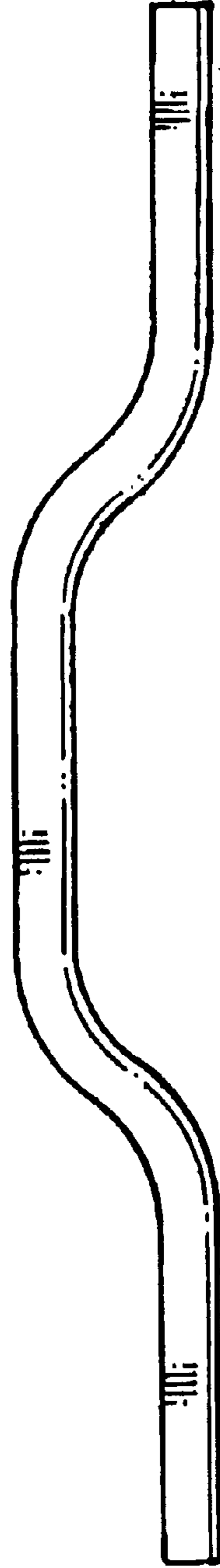


FIG. 3.

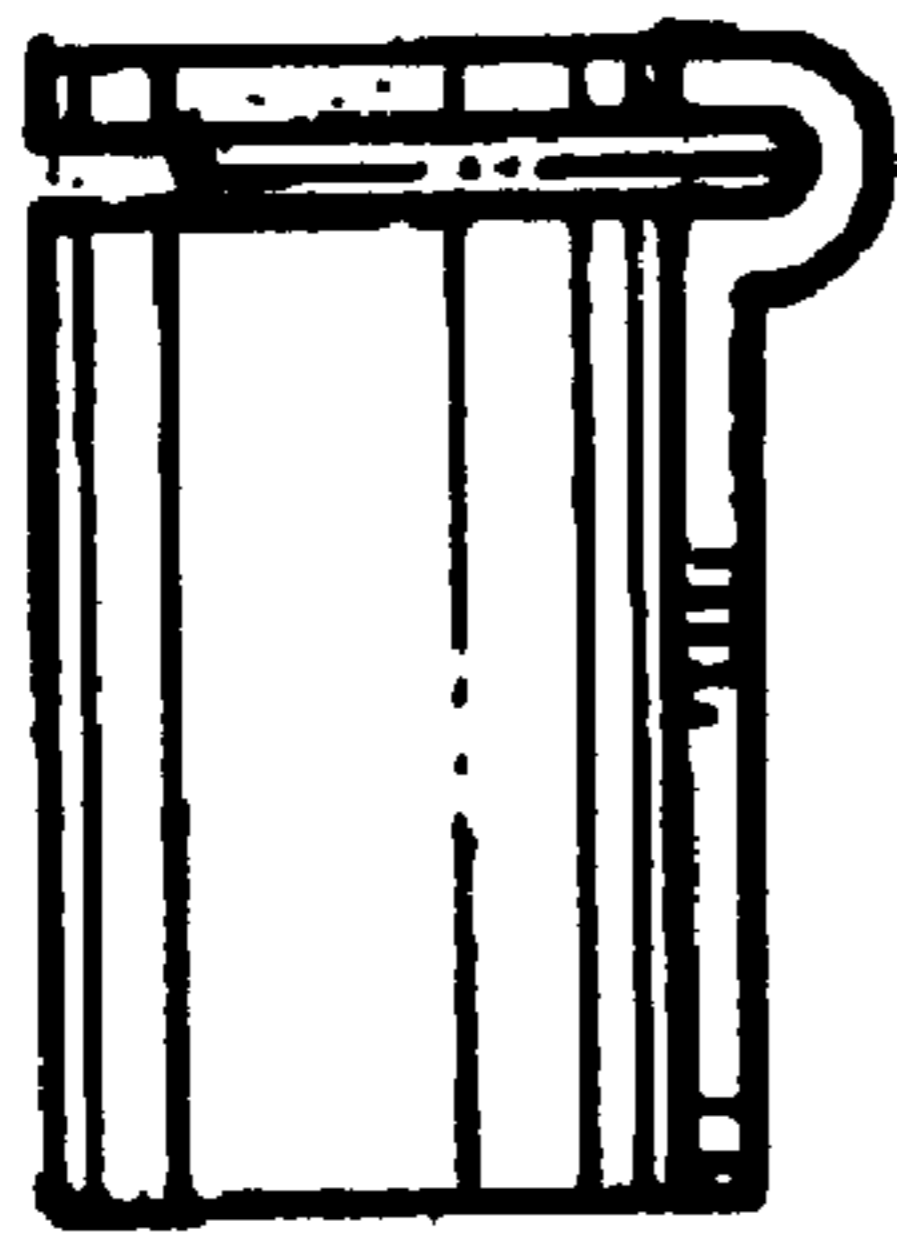


FIG. 4.

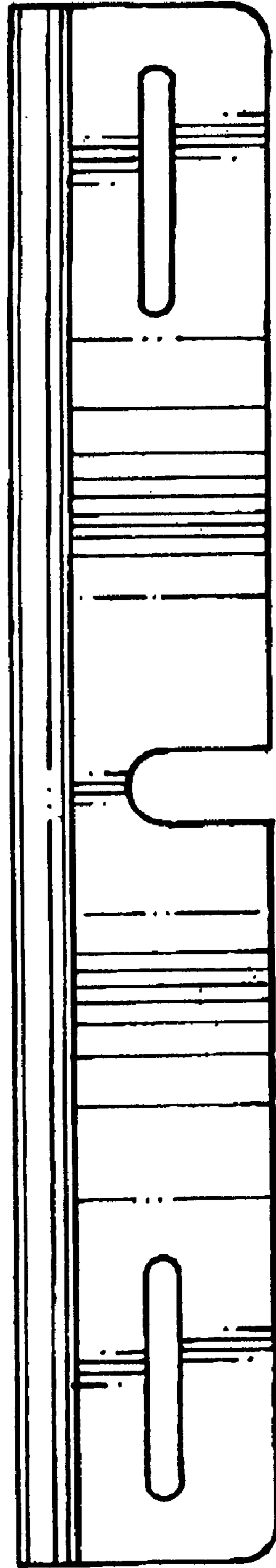


FIG. 6.