



US00D490555S

(12) **United States Design Patent**  
**Bayat et al.**

(10) **Patent No.:** **US D490,555 S**

(45) **Date of Patent:** **\*\* May 25, 2004**

(54) **DUAL HALOGEN LAMP AND SUPPORT ASSEMBLY**

Hong Kong Enterprise Feb. 1996, lamp No. 9130 on p. 354.\*

(76) Inventors: **Bijan Bayat**, 10425 N. Plano Rd., Dallas, TX (US) 75238-1355; **Michael Quan Dinh**, 3200 Breton Dr., Plano, TX (US) 75025

\* cited by examiner

(\*\*) Term: **14 Years**

*Primary Examiner*—Alan P. Douglas  
*Assistant Examiner*—Linda Brooks  
(74) *Attorney, Agent, or Firm*—Whitaker, Chalk, Swindle & Sawyer, LLP

(21) Appl. No.: **29/171,780**

(57) **CLAIM**

(22) Filed: **Nov. 27, 2002**

The ornamental design for a dual halogen lamp and support assembly, as shown and described.

(51) **LOC (7) Cl.** ..... **26-05**

(52) **U.S. Cl.** ..... **D26/65**

(58) **Field of Search** ..... D26/60–66, 93, D26/102–112; 362/236, 268, 269, 277, 279, 282, 283, 285, 287, 289, 290, 410–414

**DESCRIPTION**

(56) **References Cited**

**U.S. PATENT DOCUMENTS**

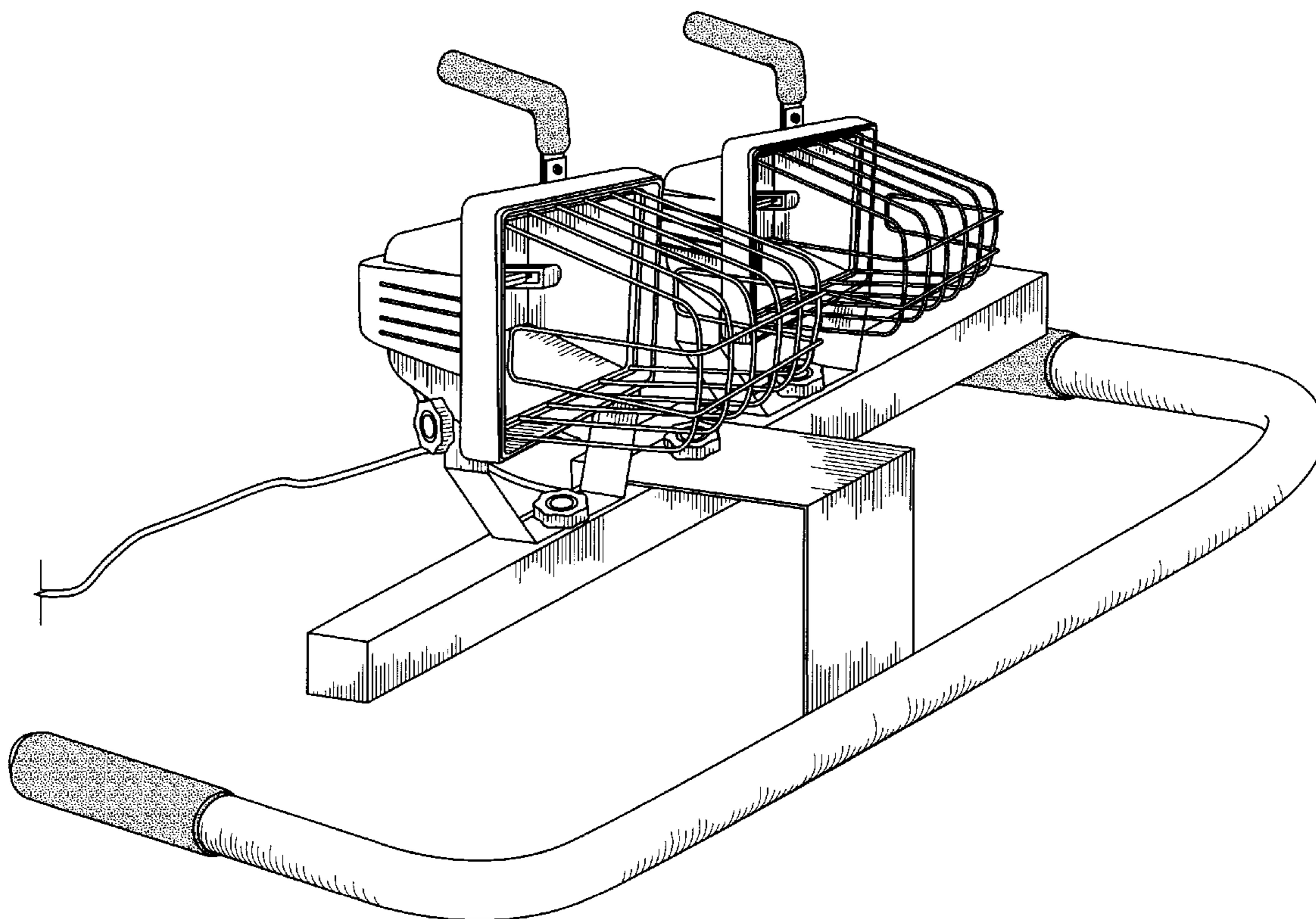
- D381,114 S \* 7/1997 Xu ..... D26/63 X
- D450,149 S \* 11/2001 Leen ..... D26/65
- D475,800 S \* 6/2003 Reisbord ..... D26/65

FIG. 1 is a perspective view of a dual halogen lamp and support assembly according to the inventive design;  
FIG. 2 is a rear elevational view of FIG. 1;  
FIG. 3 is a front elevational view of FIG. 1;  
FIG. 4 is a side elevational view of the first side of FIG. 1;  
FIG. 5 is a side elevational view of the second side of FIG. 1;  
FIG. 6 is a top plan view of FIG. 1; and,  
FIG. 7 is a bottom plan view of FIG. 1.

**OTHER PUBLICATIONS**

Taiwan Lighting Nov. 1999, lamp numbers CQ–500DWF and CQ–500DHC(F) on p. 172.\*

**1 Claim, 6 Drawing Sheets**



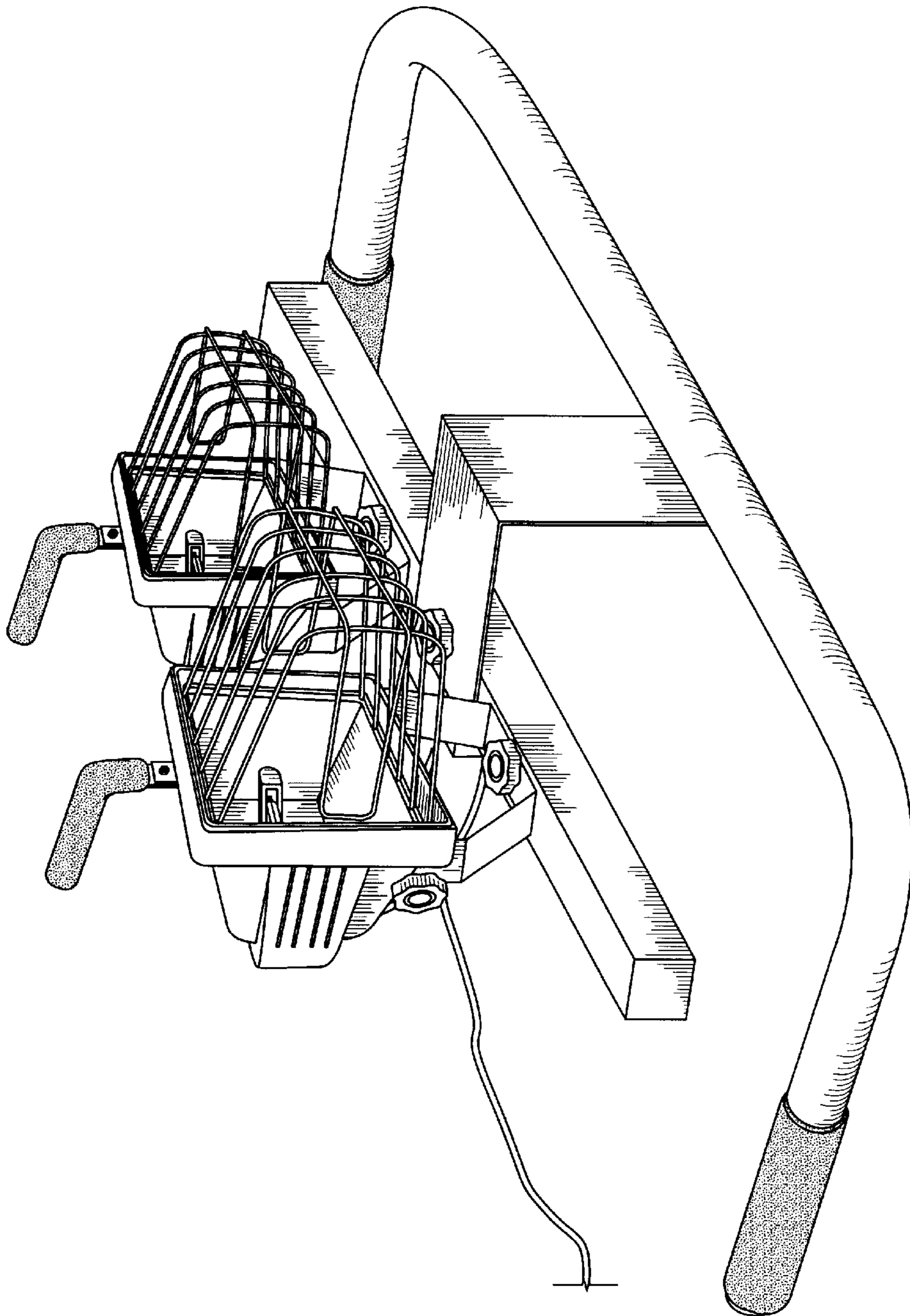


FIG. 1

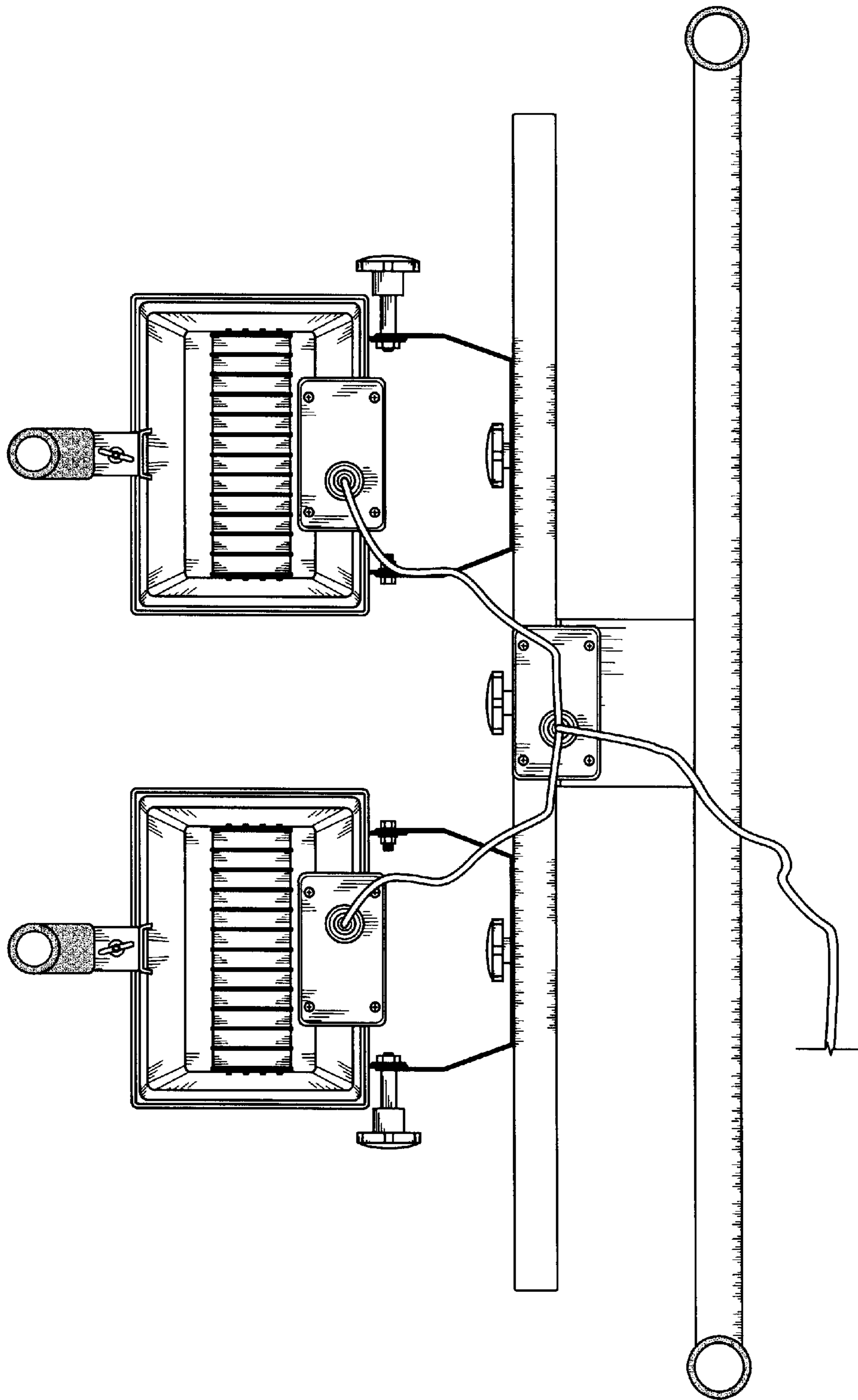


FIG. 2

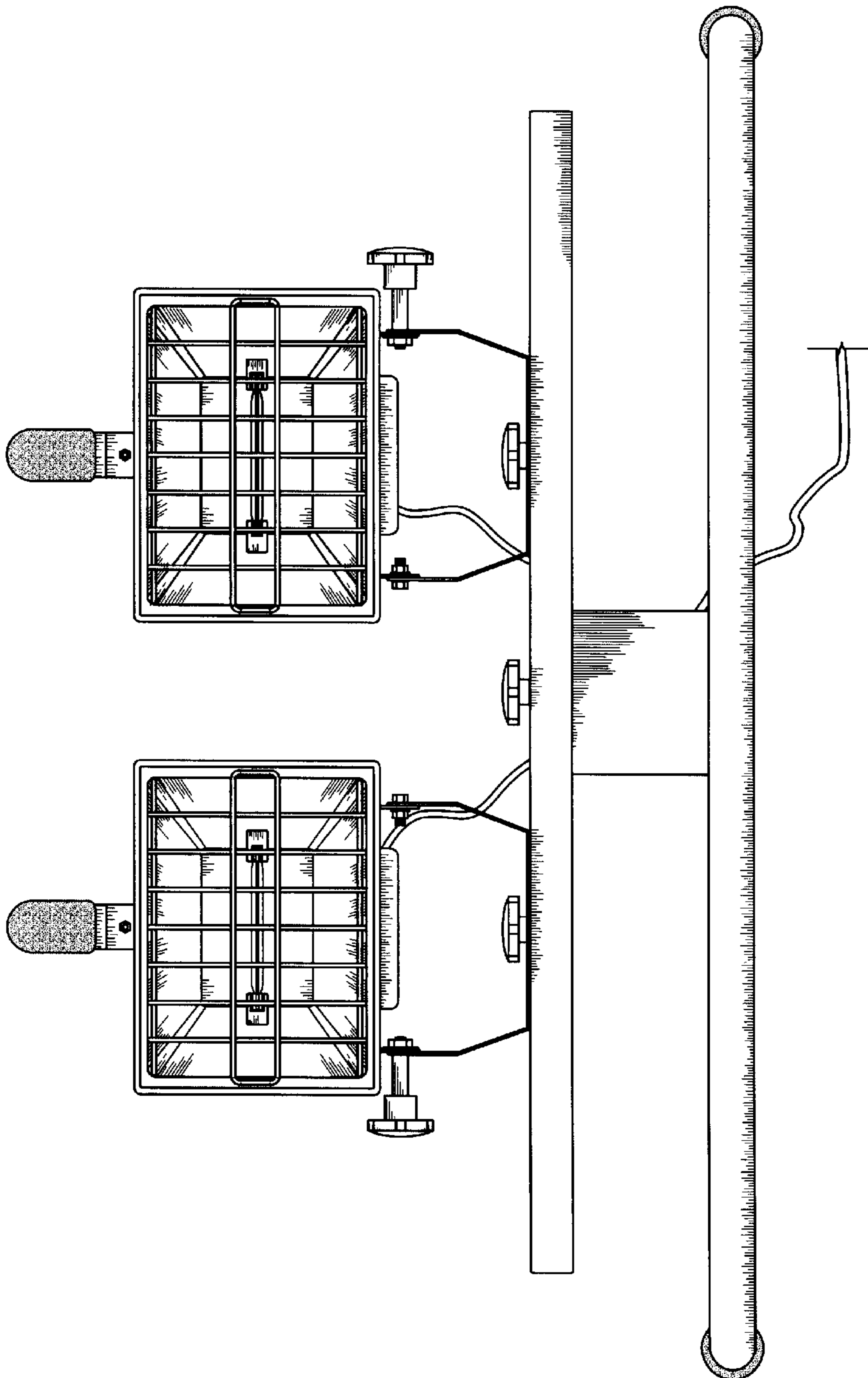


FIG. 3

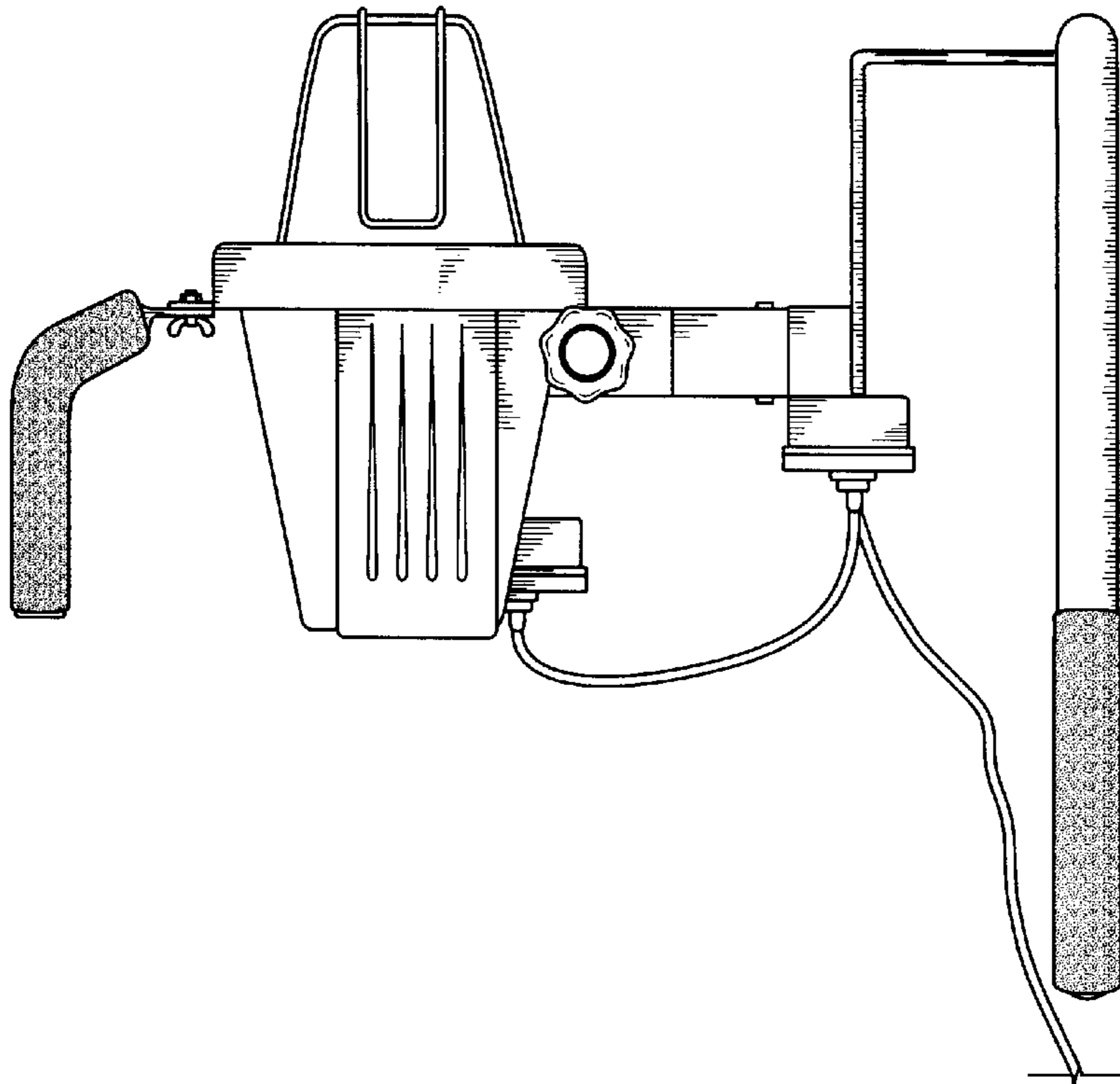


FIG. 4

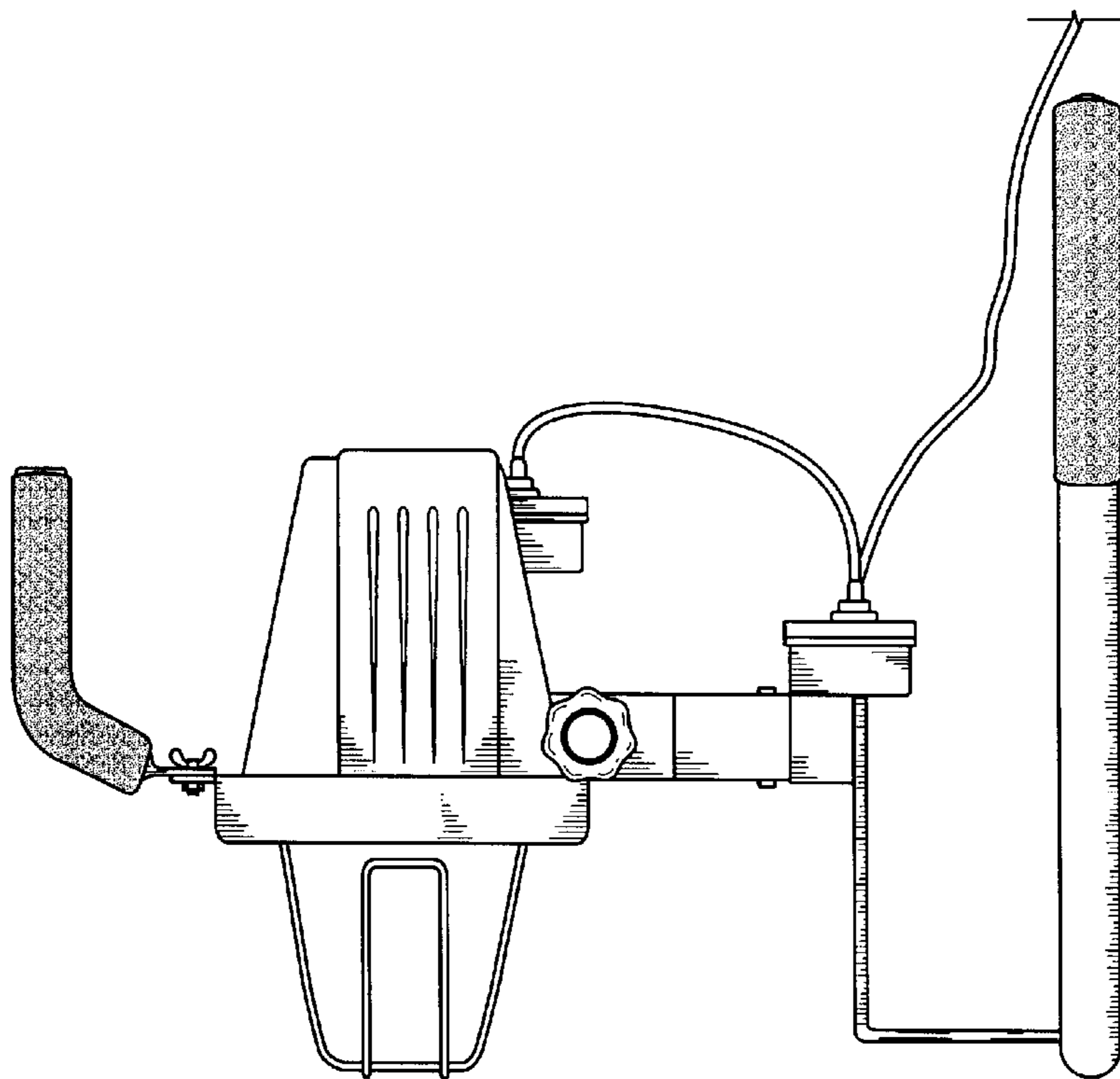


FIG. 5

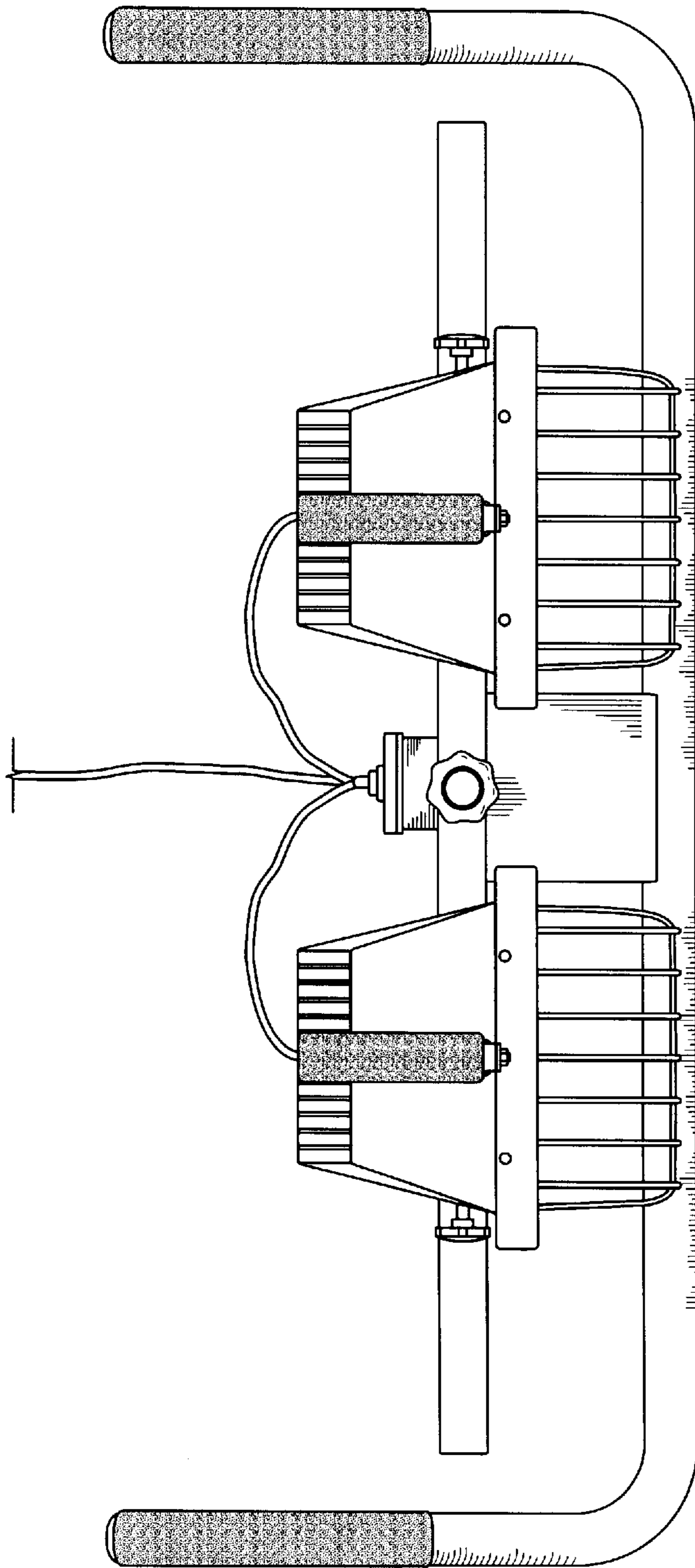


FIG. 6

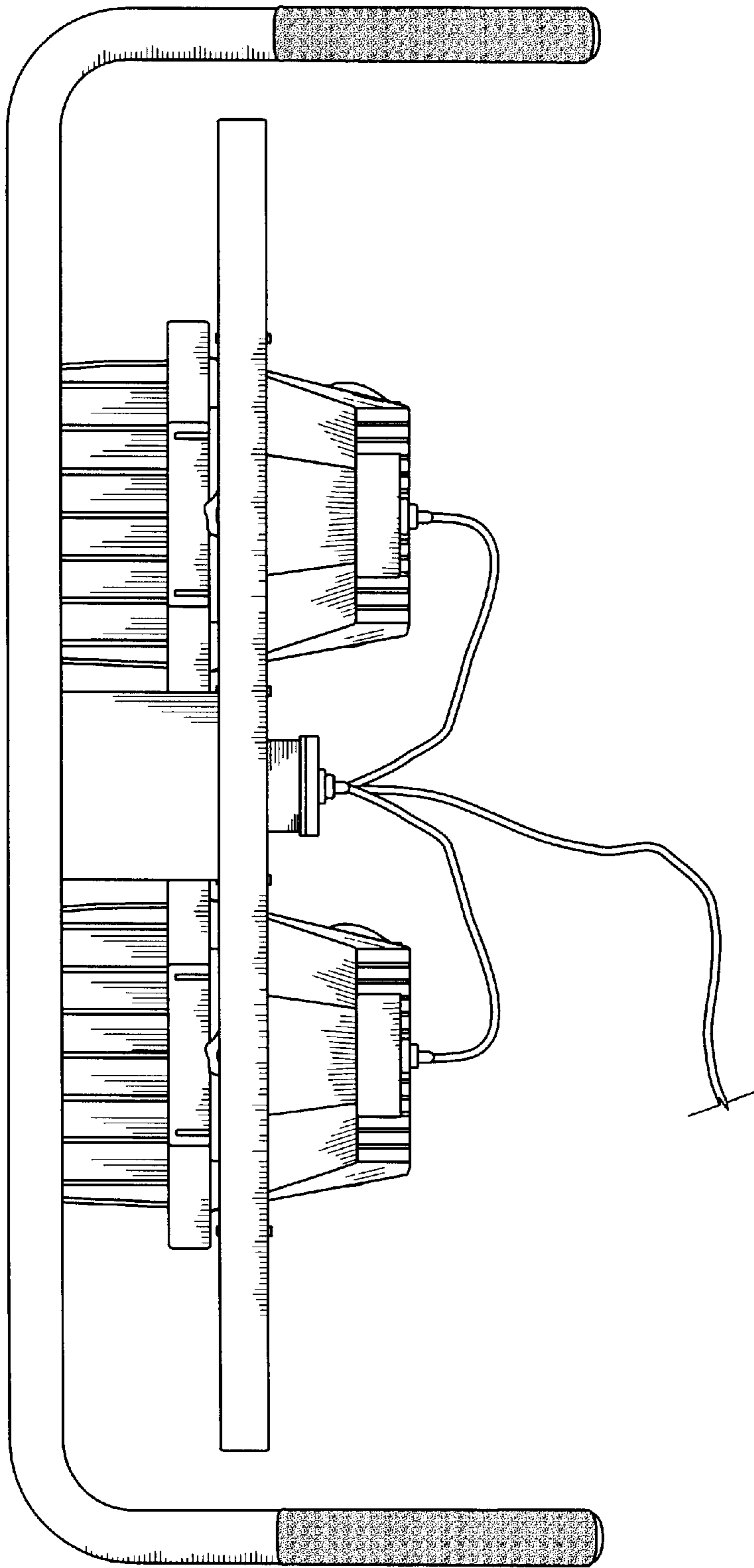


FIG. 7