



US00D490553S

(12) **United States Design Patent**
Waldmann

(10) **Patent No.:** **US D490,553 S**

(45) **Date of Patent:** **** May 25, 2004**

(54) **LIGHT FIXTURE ASSEMBLY FOR
WORKPLACE**

(75) Inventor: **Gerhard Waldmann**, Dauchingen (DE)

(73) Assignee: **Herbert Waldmann GmbH & Co.**,
Villingen-Schwenningen (DE)

(**) Term: **14 Years**

(21) Appl. No.: **29/179,774**

(22) Filed: **Apr. 16, 2003**

Related U.S. Application Data

(62) Division of application No. 29/156,401, filed on Feb. 28,
2002, now Pat. No. Des. 482,813.

(30) **Foreign Application Priority Data**

Sep. 1, 2001 (DE) 401 07 757

(51) **LOC (7) Cl.** **26-05**

(52) **U.S. Cl.** **D26/61**

(58) **Field of Search** D26/61-66; 362/253,
362/269, 273, 275; D16/135; 359/819

(56) **References Cited**

U.S. PATENT DOCUMENTS

D276,940 S	*	12/1984	Andersson	D16/135
D284,087 S	*	6/1986	Haidinger	D16/135
D334,759 S	*	4/1993	Meyer et al.	D16/135
D337,841 S	*	7/1993	Lu	D26/65

OTHER PUBLICATIONS

Taiwan Lighting Feb. 1998, lamps with magnifying glass on
p. 106.*

* cited by examiner

Primary Examiner—Alan P. Douglas

Assistant Examiner—Linda Brooks

(74) *Attorney, Agent, or Firm*—Eugene E. Renz, Jr.

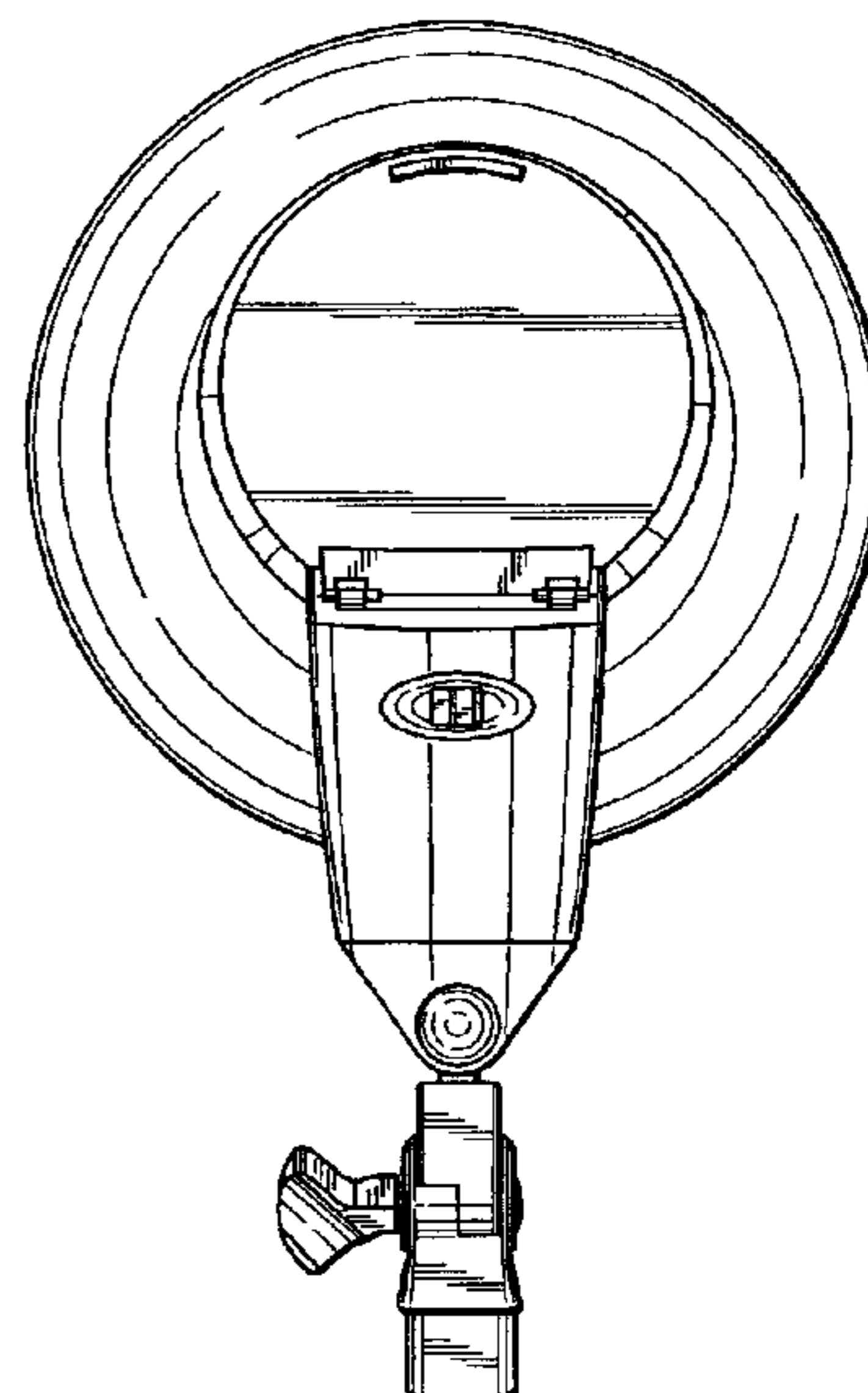
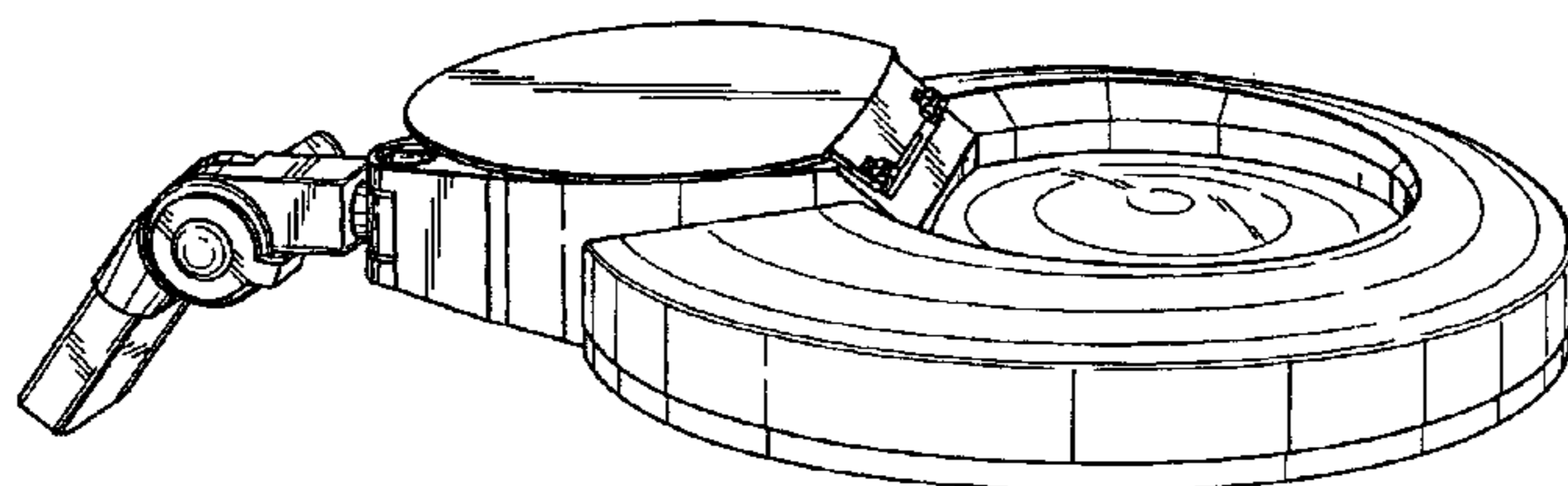
(57) **CLAIM**

The ornamental design for a light fixture assembly for
workplace, as shown and described.

DESCRIPTION

FIG. 1 is a perspective view of my design for a light fixture
assembly for workplace with the center section opened;
FIG. 2 is perspective view of my design for a light fixture
assembly for workplace with the center section closed;
FIG. 3 is a top view of my design for a light fixture assembly
for workplace with the center section closed;
FIG. 4 is a right side view of my design for a light fixture
assembly for workplace with the center section closed;
FIG. 5 is a rear view of my design for a light fixture
assembly for workplace with the center section closed;
FIG. 6 is a front view of my design for a light fixture
assembly for workplace with the center section closed;
FIG. 7 is a bottom view of my design for a light fixture
assembly for workplace; and,
FIG. 8 is a left side view of my design for a light fixture
assembly for workplace with the center section closed.

1 Claim, 3 Drawing Sheets



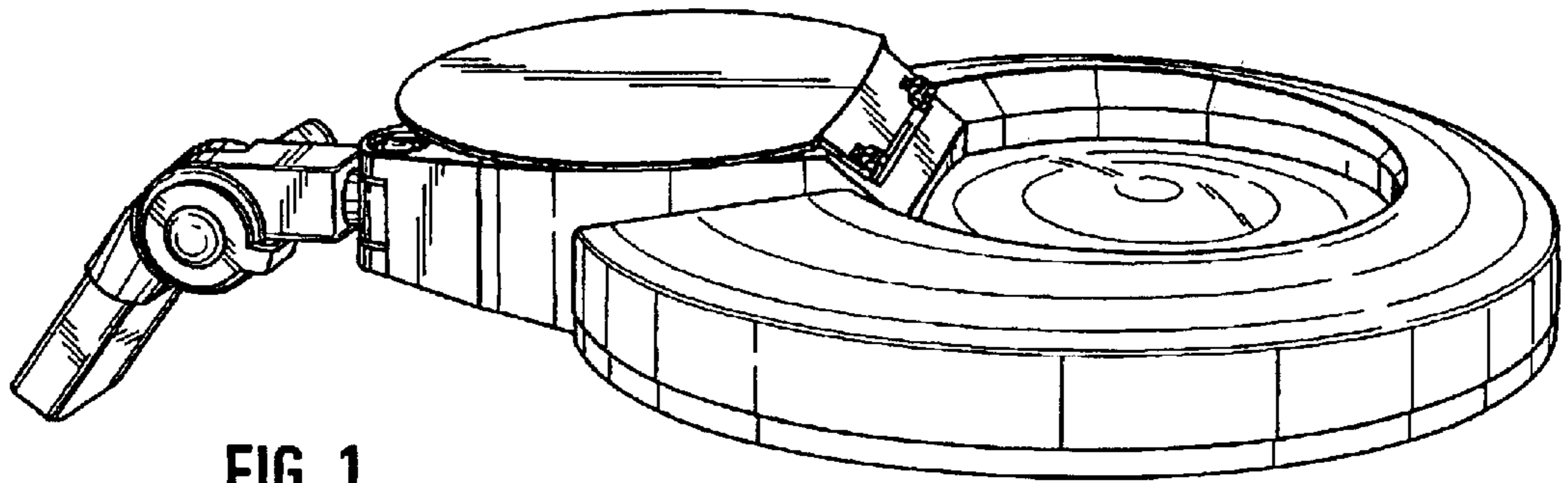


FIG. 1

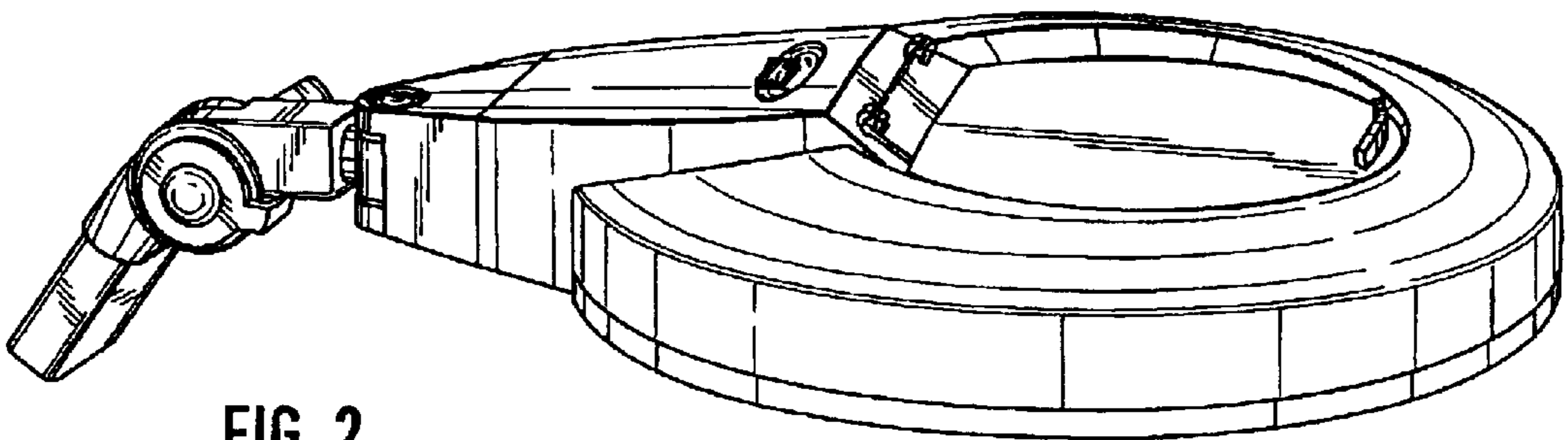


FIG. 2

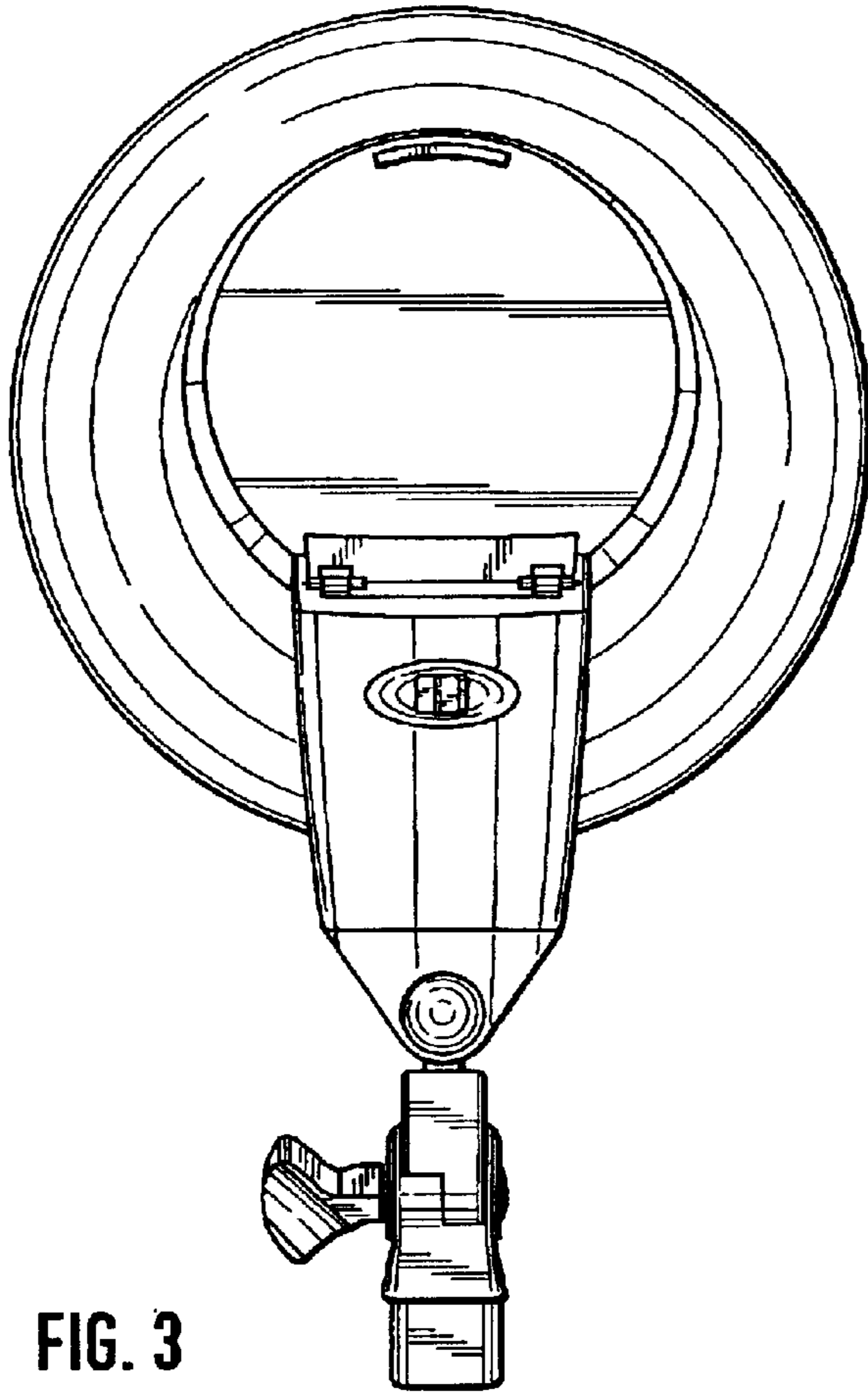


FIG. 3

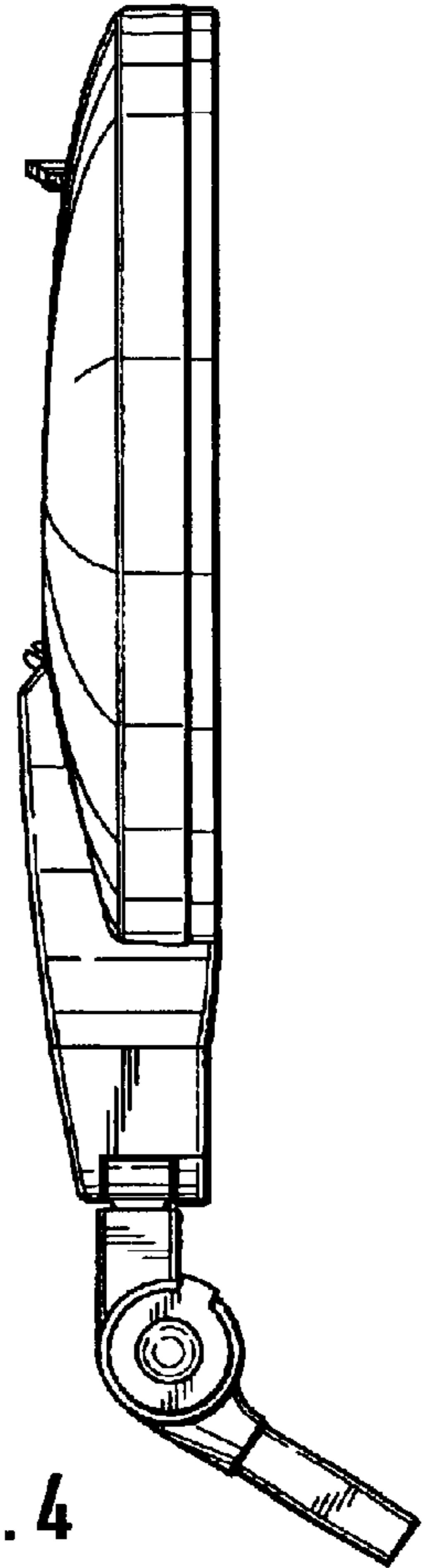


FIG. 4

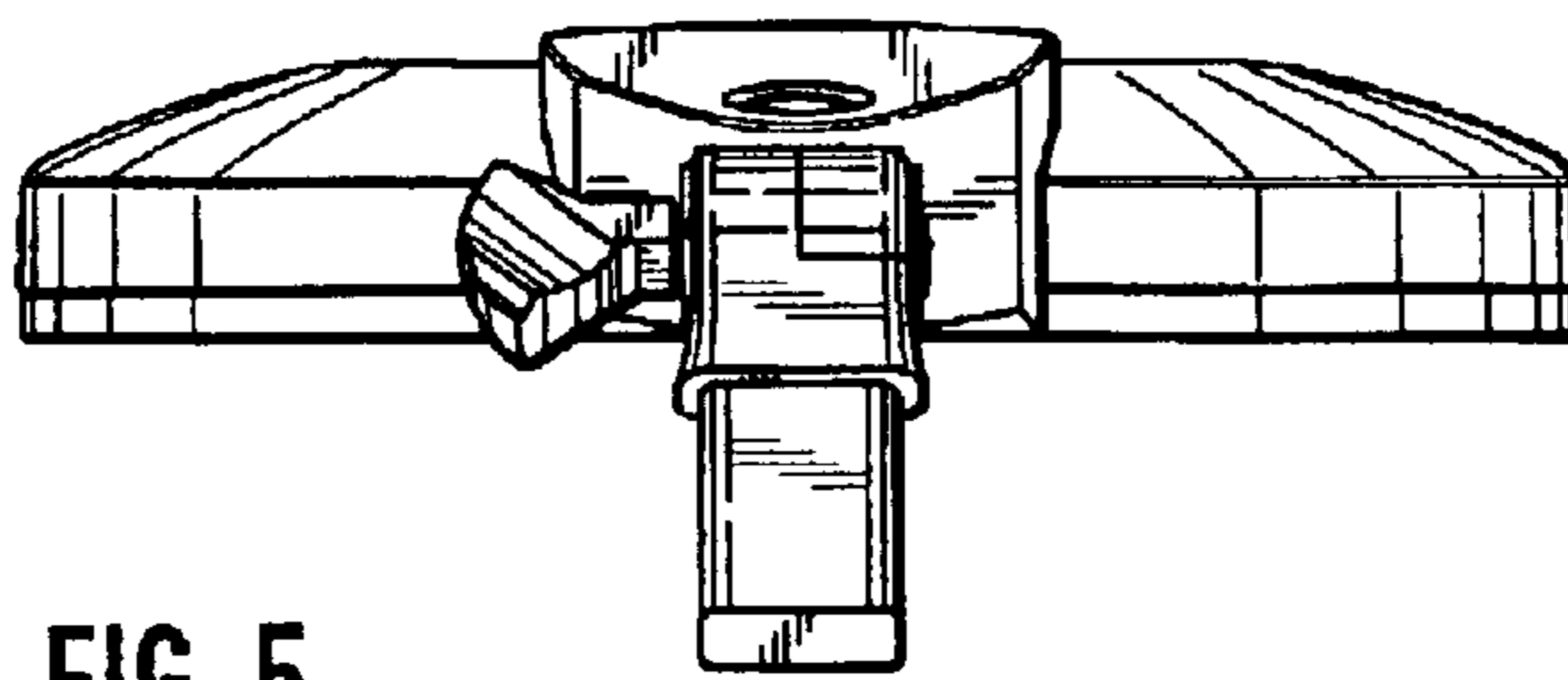


FIG. 5

FIG. 6

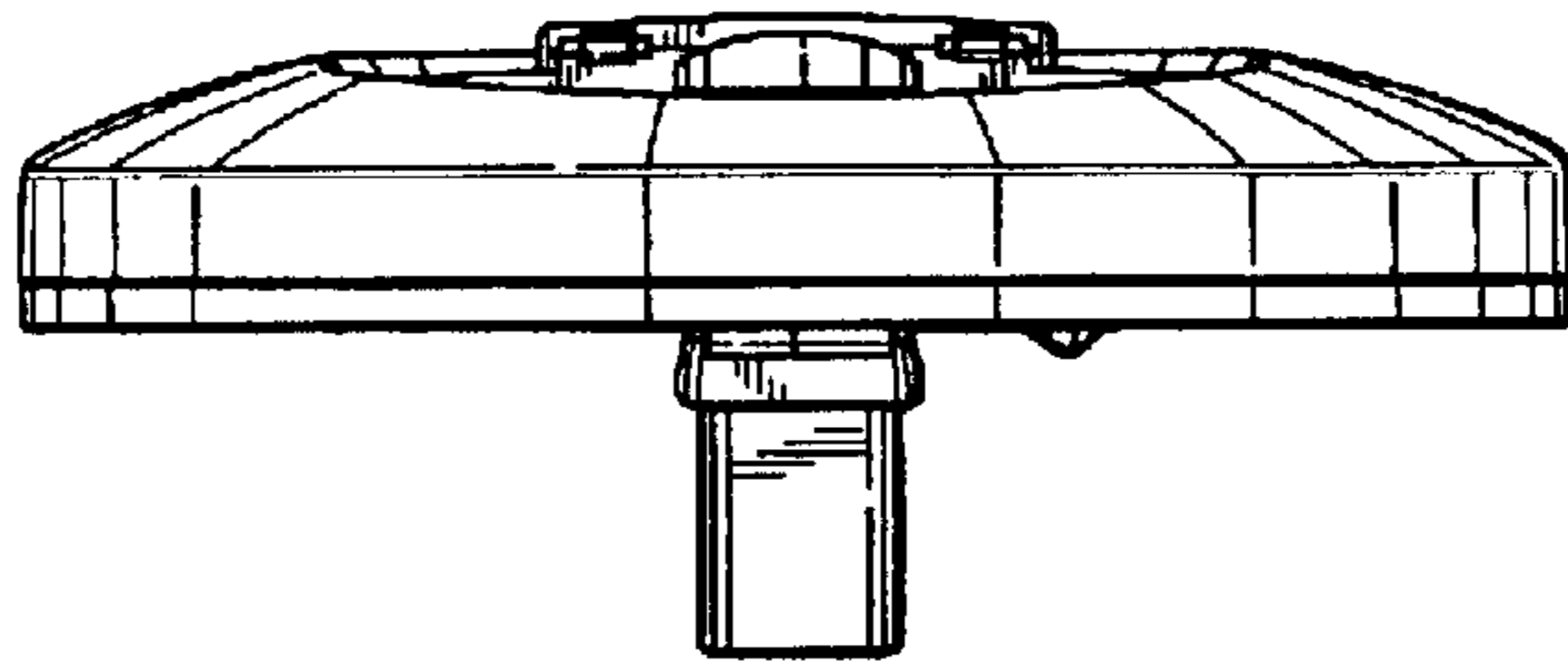


FIG. 7

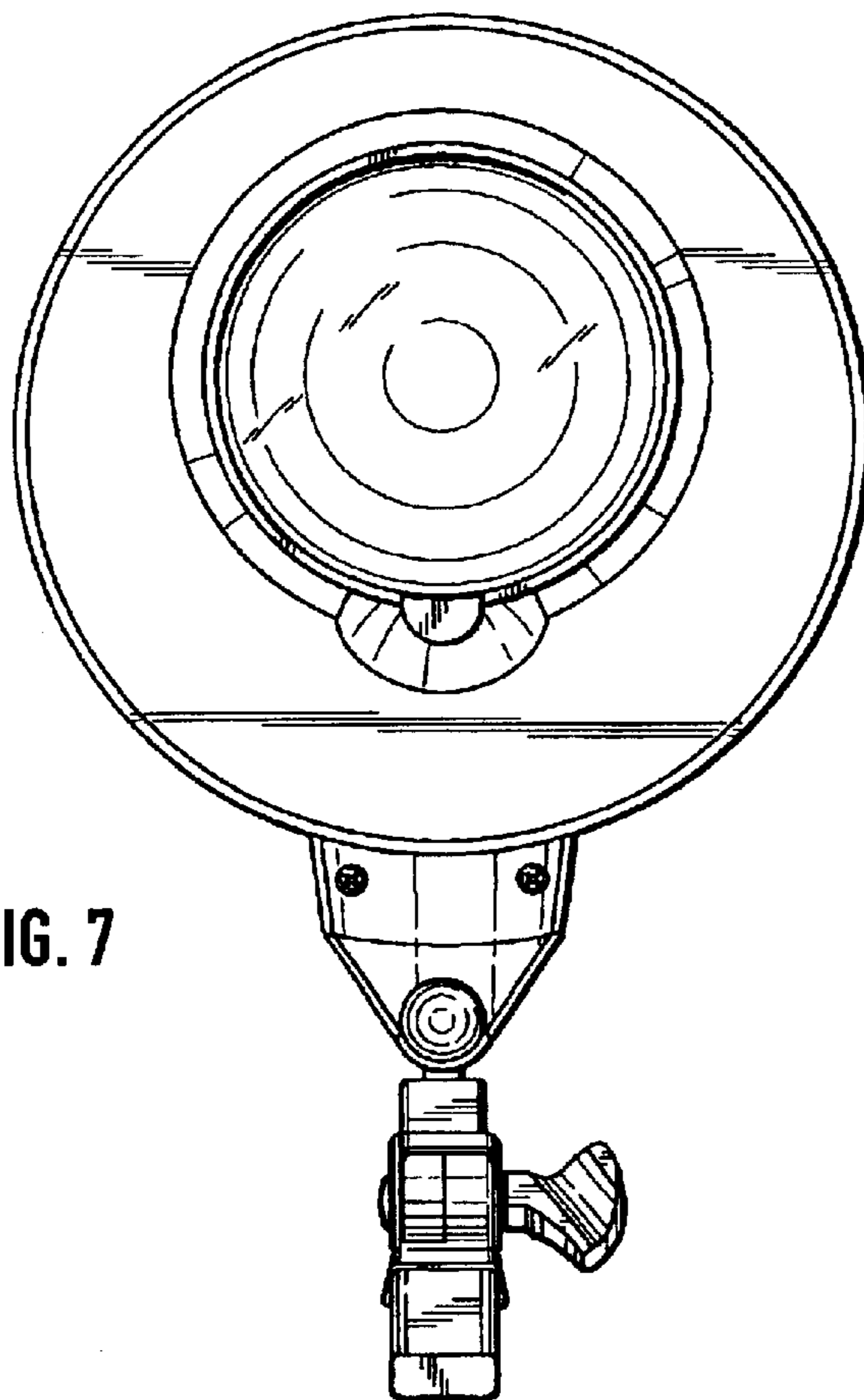


FIG. 8

