



US00D490552S

(12) **United States Design Patent**
Krieger et al.

(10) **Patent No.: US D490,552 S**
(45) **Date of Patent: ** May 25, 2004**

- (54) **RECHARGEABLE LANTERN WITH TWO GRIPS**
- (75) Inventors: **Michael Krieger**, Miami Beach, FL (US); **Kevin Ellsworth**, Hollywood, FL (US)
- (73) Assignee: **Vector Products, Inc.**, Ft. Lauderdale, FL (US)
- (**) Term: **14 Years**
- (21) Appl. No.: **29/174,252**
- (22) Filed: **Jan. 15, 2003**
- (51) **LOC (7) Cl. 26-02**
- (52) **U.S. Cl. D26/45**
- (58) **Field of Search D26/37-50; 362/157, 362/158, 171, 172, 173, 183-208**

(56) **References Cited**
U.S. PATENT DOCUMENTS

D432,692 S	*	10/2000	Krieger	D26/45
D446,591 S	*	8/2001	Shing	D26/45
D450,145 S	*	11/2001	Krieger et al.	D26/45
D451,222 S	*	11/2001	Poon	D26/45

* cited by examiner

Primary Examiner—Marcus A. Jackson
(74) *Attorney, Agent, or Firm*—Venable LLP; Robert Kinberg

(57) **CLAIM**

The ornamental design for a rechargeable lantern with two grips, as shown an described.

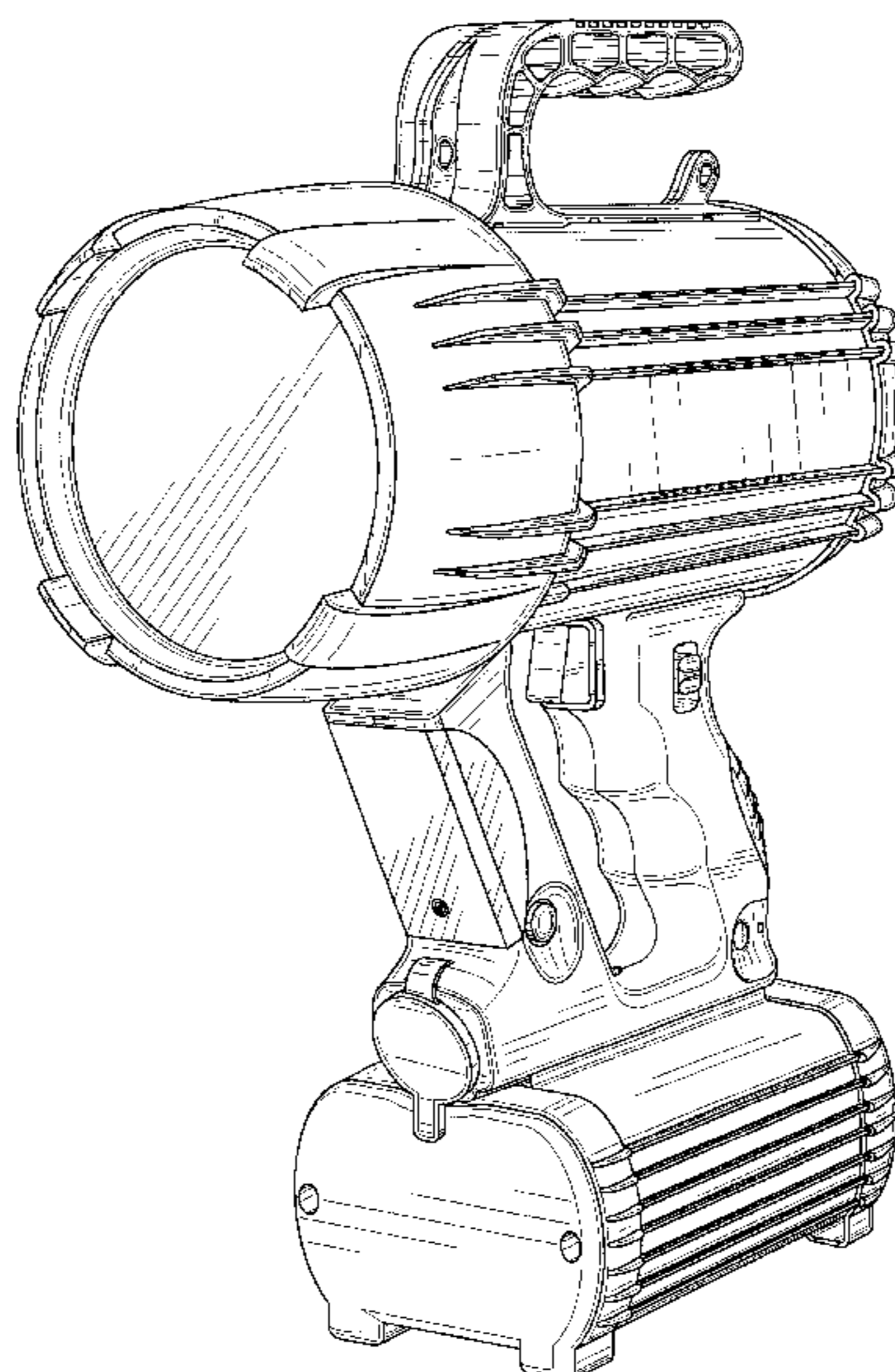
DESCRIPTION

FIG. 1 is a perspective view from the front-top-right side of the rechargeable lantern with two grips showing a first embodiment of our new design;

FIG. 2 is a front view of the design shown in FIG. 1;
 FIG. 3 is a rear view of the design shown in FIG. 1;
 FIG. 4 is a right side view of the design shown in FIG. 1;
 FIG. 5 is a left side view of the design shown in FIG. 1;
 FIG. 6 is a top view of the design shown in FIG. 1;
 FIG. 7 is a bottom view of the design shown in FIG. 1;
 FIG. 8 is a perspective view from the front-top-right side of the rechargeable lantern with two grips showing a second embodiment of our new design;
 FIG. 9 is a front view of the design shown in FIG. 8;
 FIG. 10 is a rear view of the design shown in FIG. 8;
 FIG. 11 is a right side view of the design shown in FIG. 8;
 FIG. 12 is a left side view of the design shown in FIG. 8;
 FIG. 13 is a top view of the design shown in FIG. 8;
 FIG. 14 is a bottom view of the design shown in FIG. 8;
 FIG. 15 is a perspective view from the front-top-right side of the rechargeable lantern with two grips showing a third embodiment of our new design;
 FIG. 16 is a front view of the design shown in FIG. 15;
 FIG. 17 is a rear view of the design shown in FIG. 15;
 FIG. 18 is a right side view of the design shown in FIG. 15;
 FIG. 19 is a left side view of the design shown in FIG. 15;
 FIG. 20 is a top view of the design shown in FIG. 15; and,
 FIG. 21 is a bottom view of the design shown in FIG. 15.

The broken lines immediately adjacent the shaded areas represent the bounds of the claimed design while all other broken lines are for illustrative purposes only; the broken lines form no part of the claimed design.

1 Claim, 21 Drawing Sheets



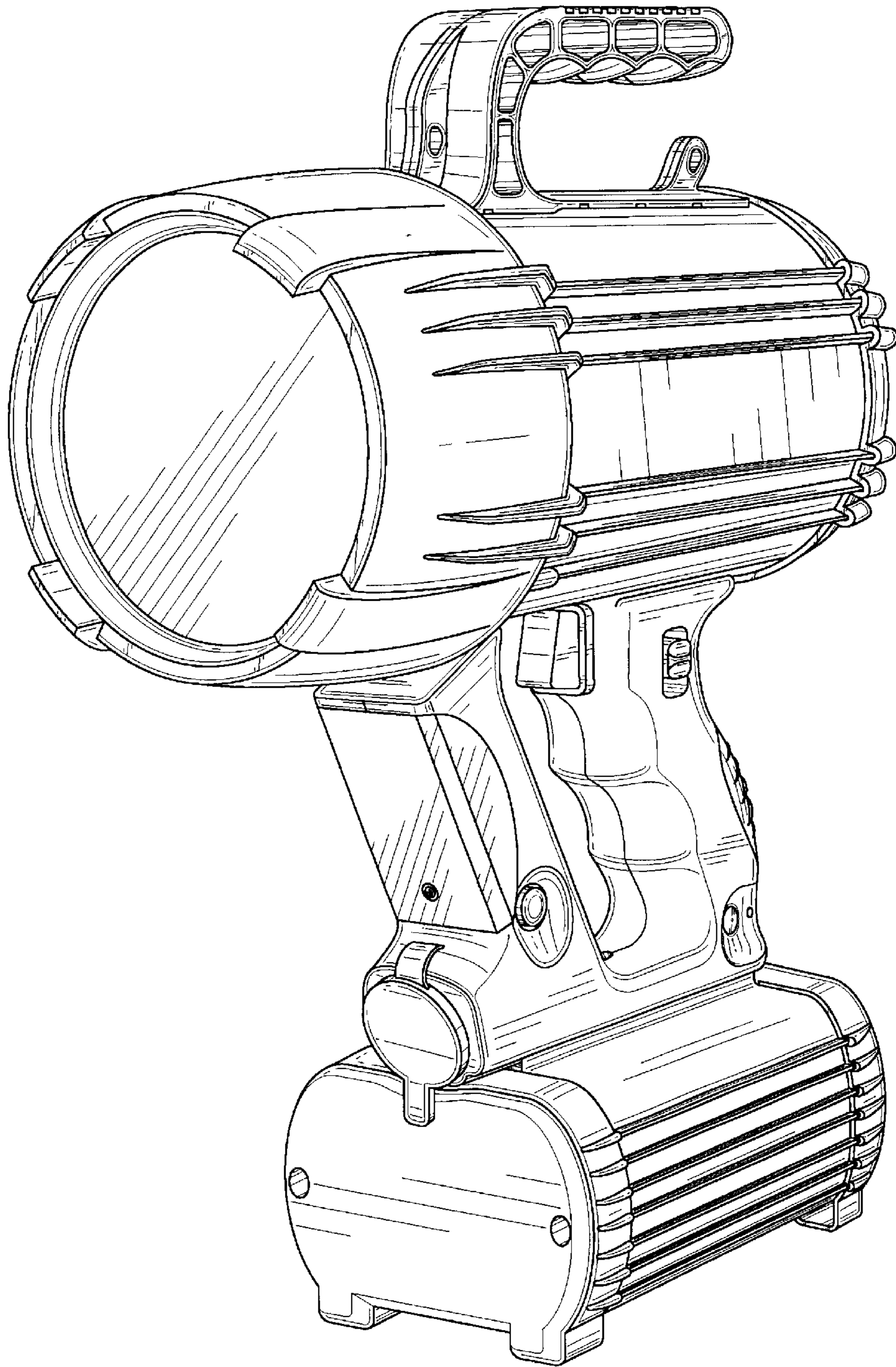


FIG. 1

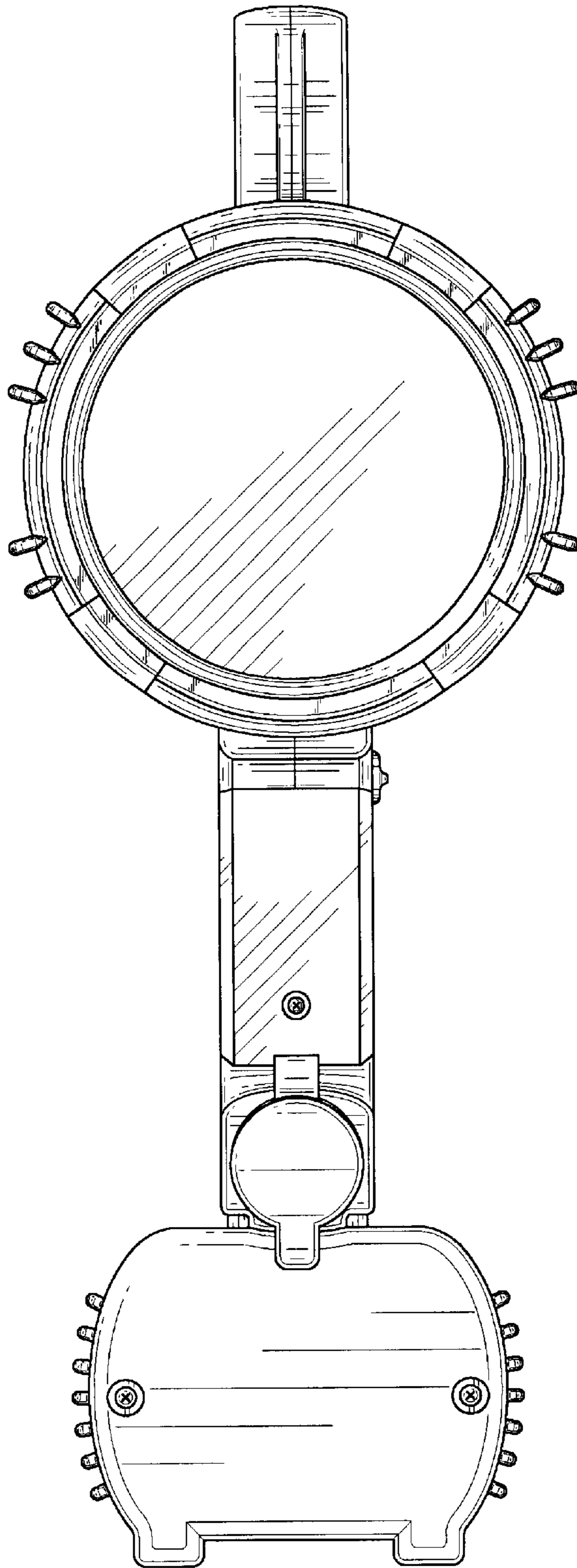


FIG. 2

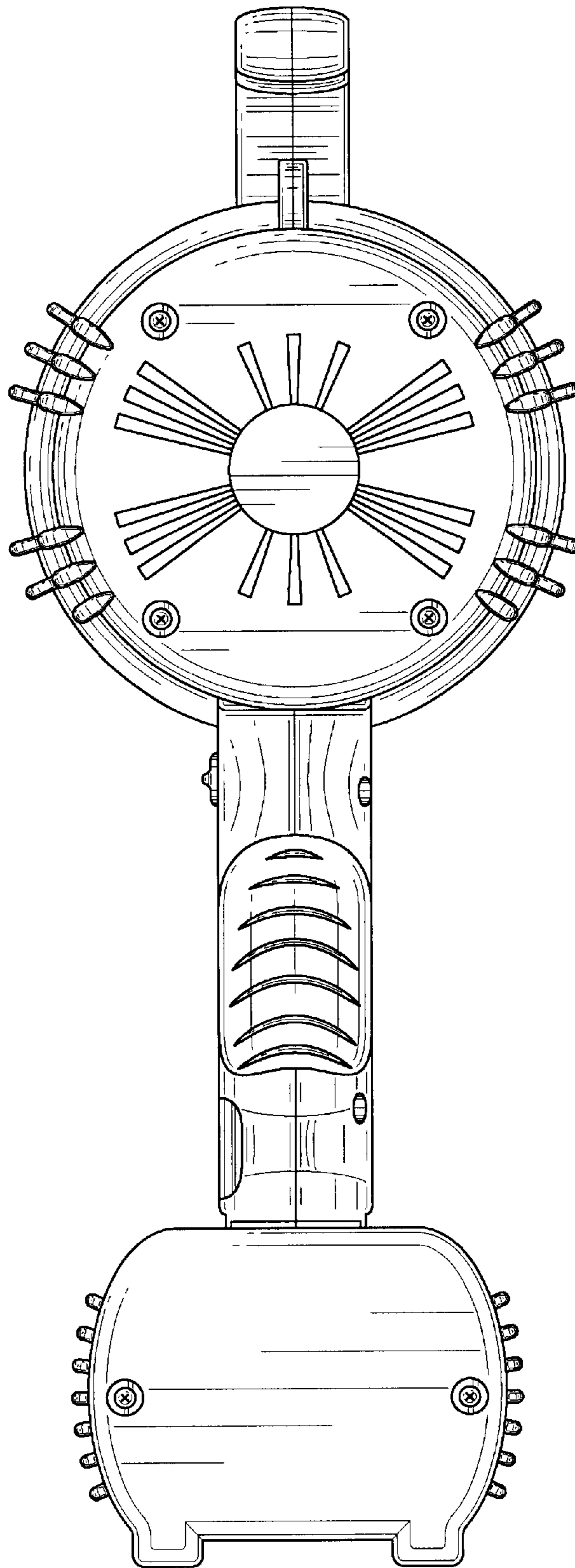


FIG. 3

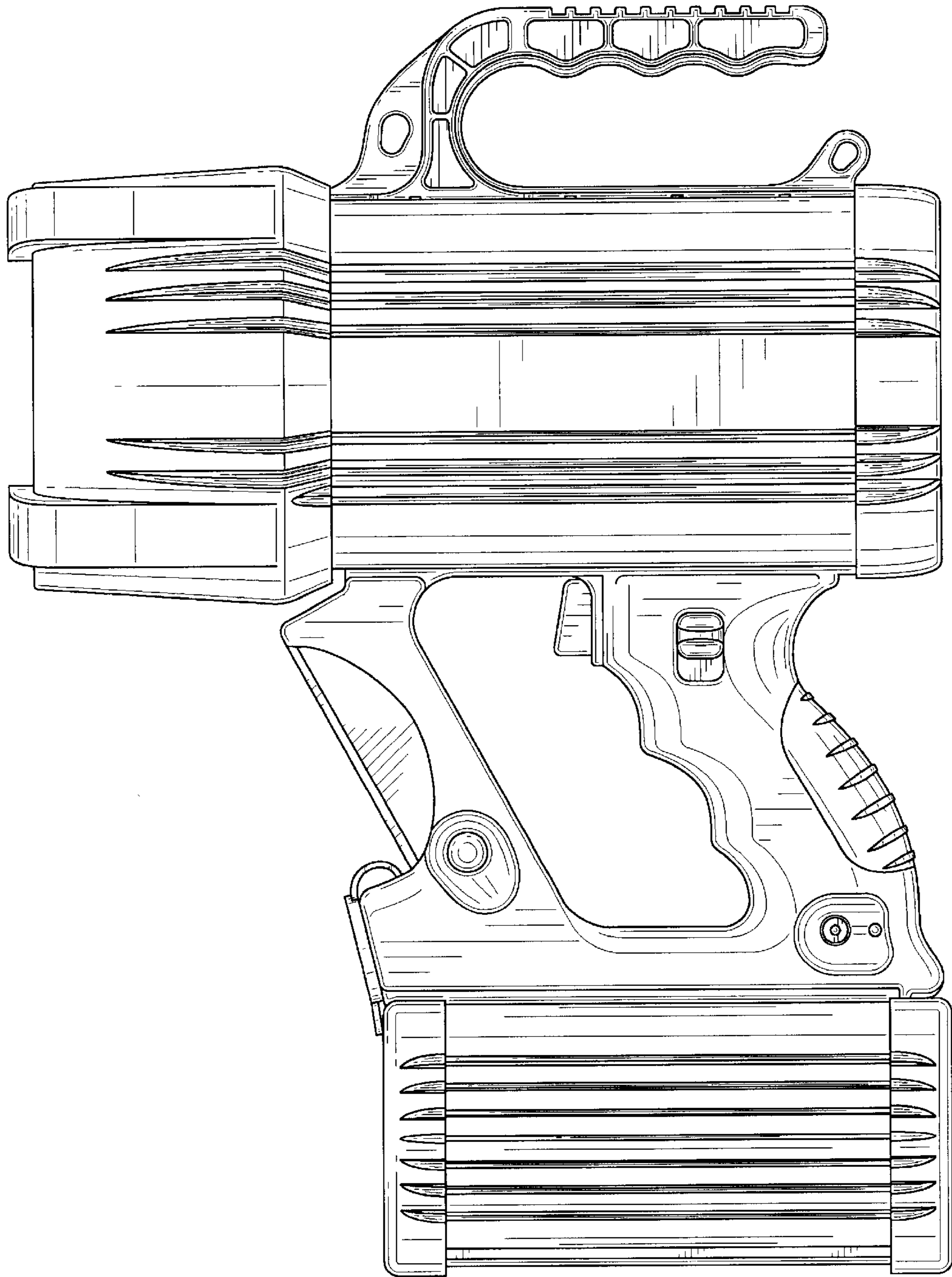


FIG. 4

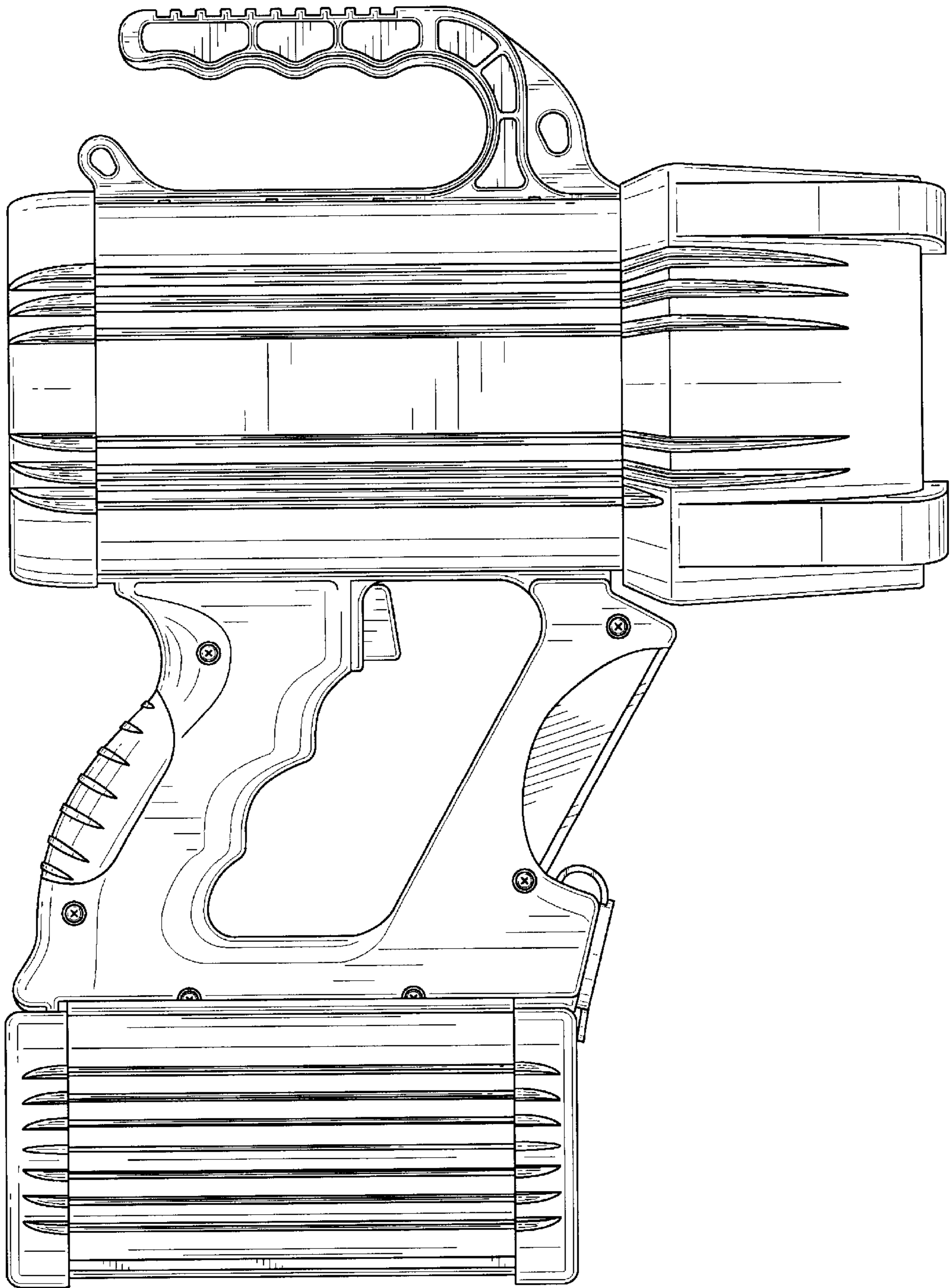


FIG. 5

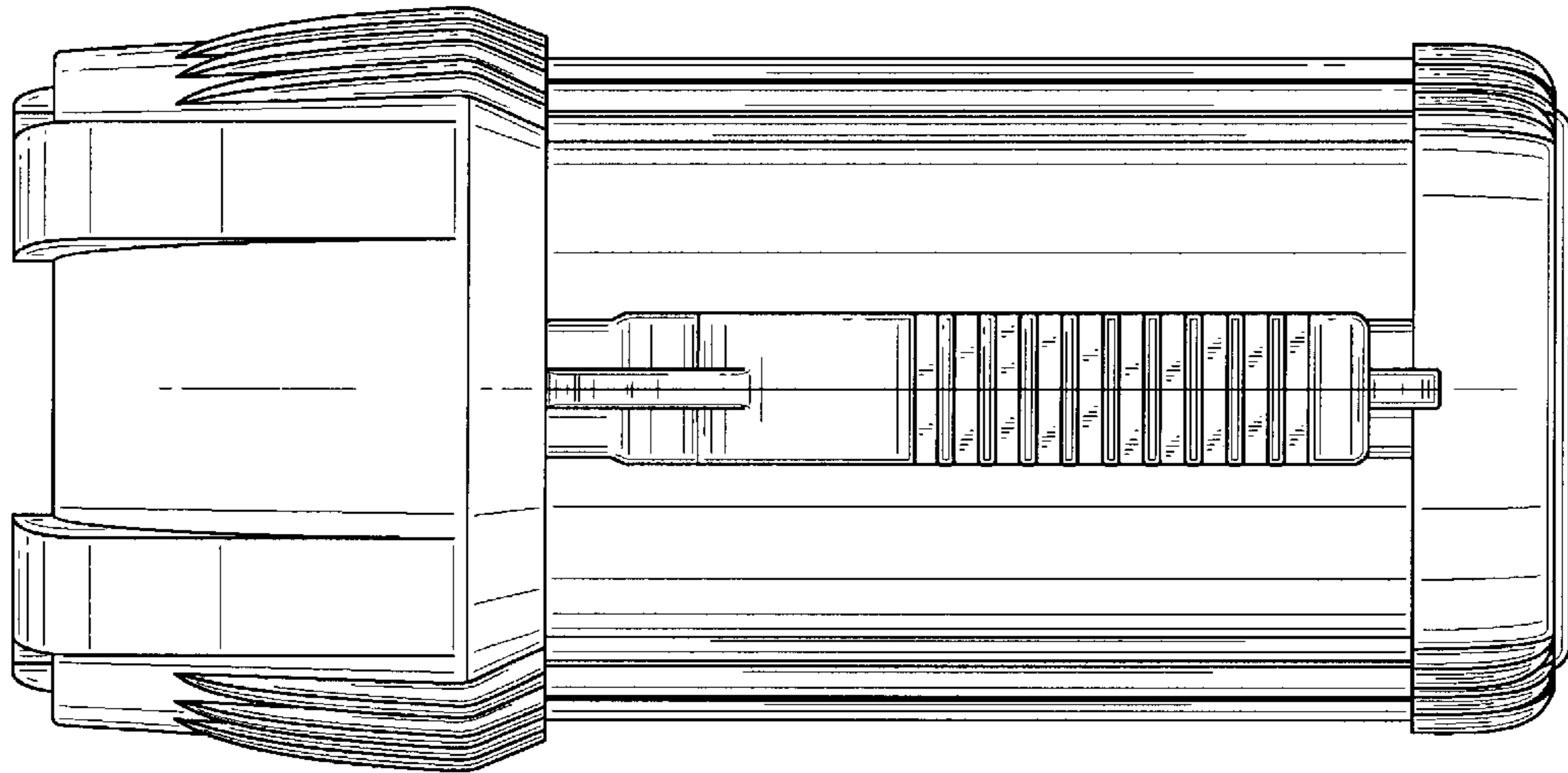


FIG. 6

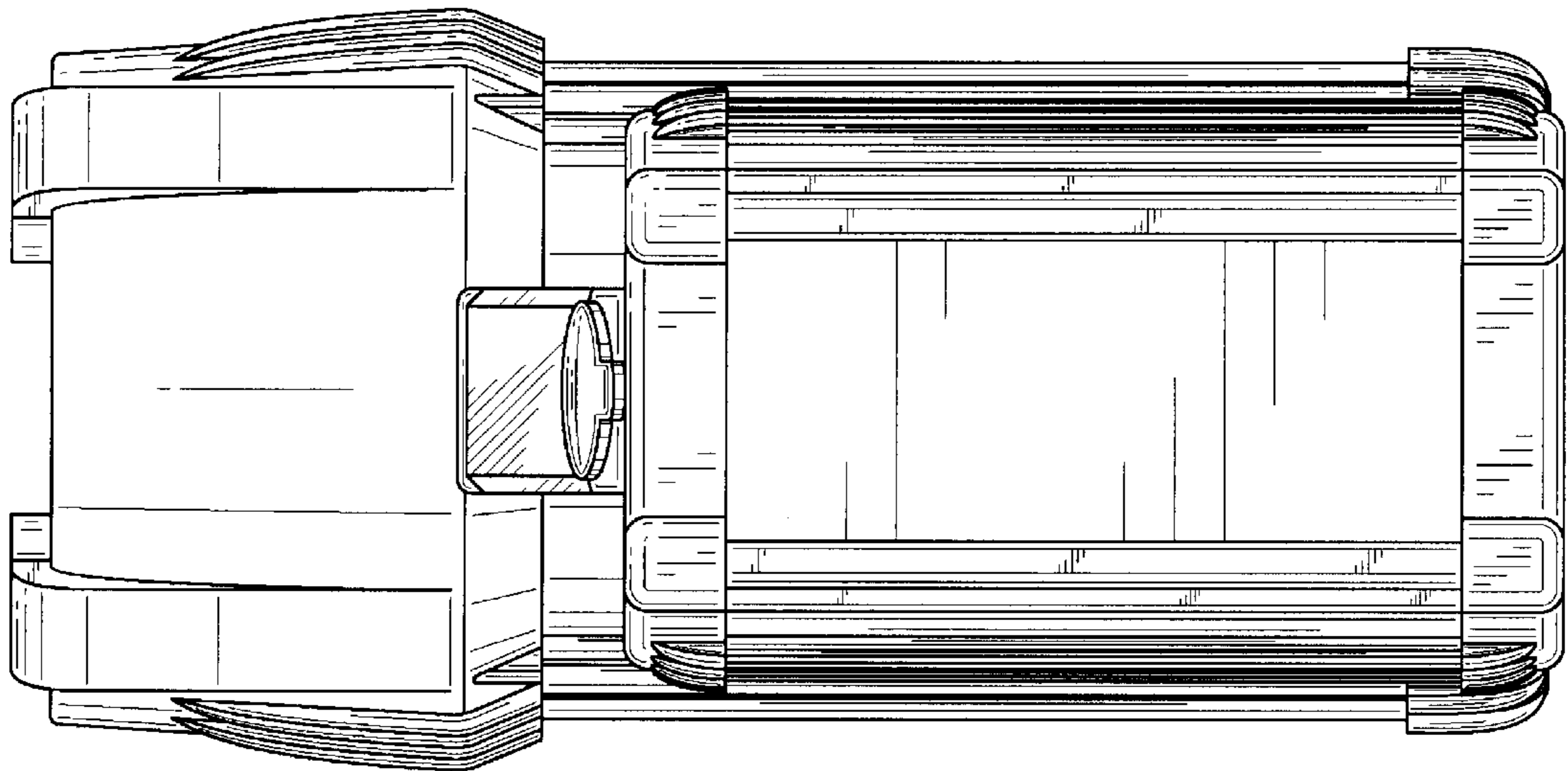


FIG. 7

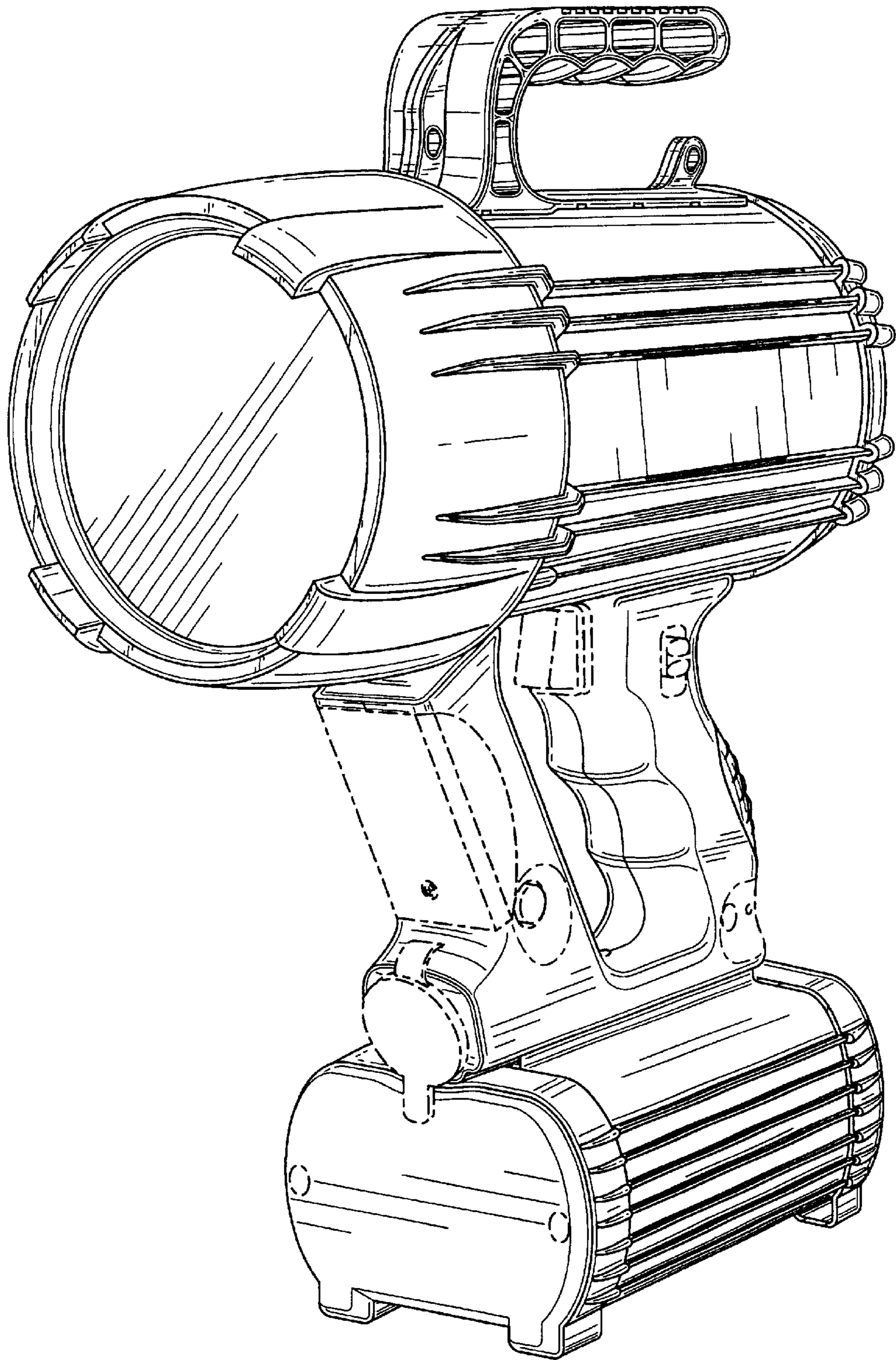


FIG. 8

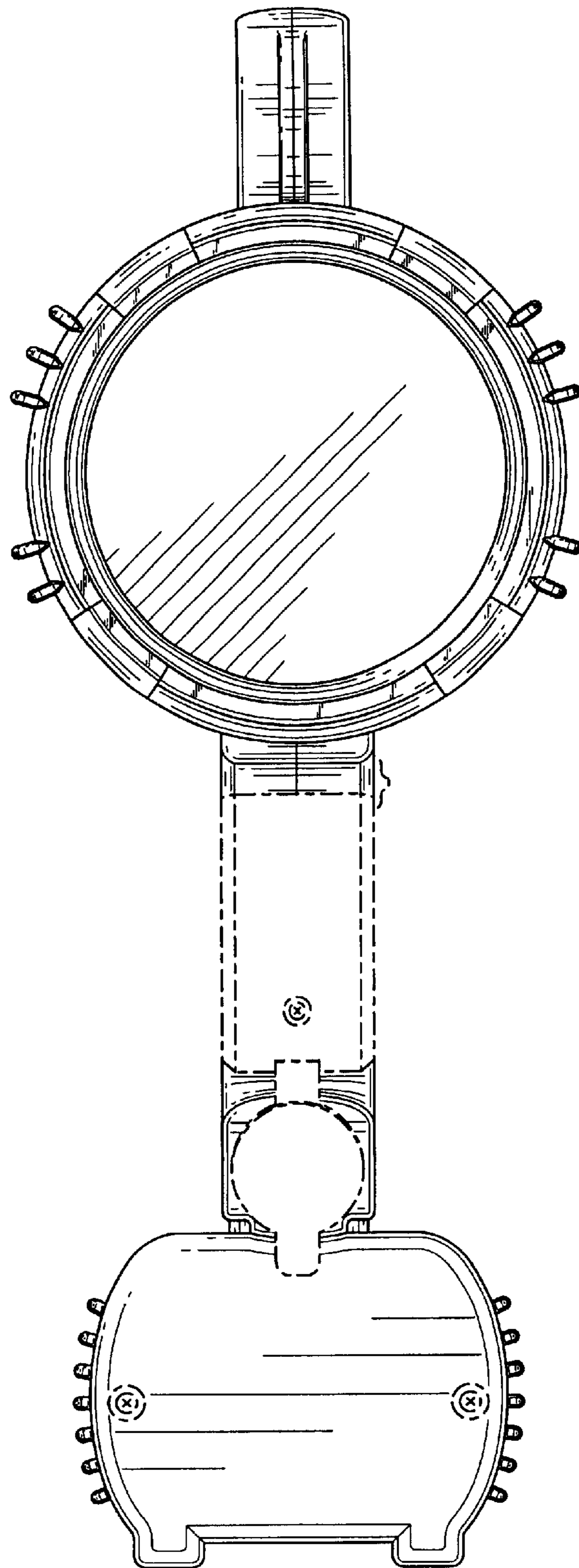


FIG. 9

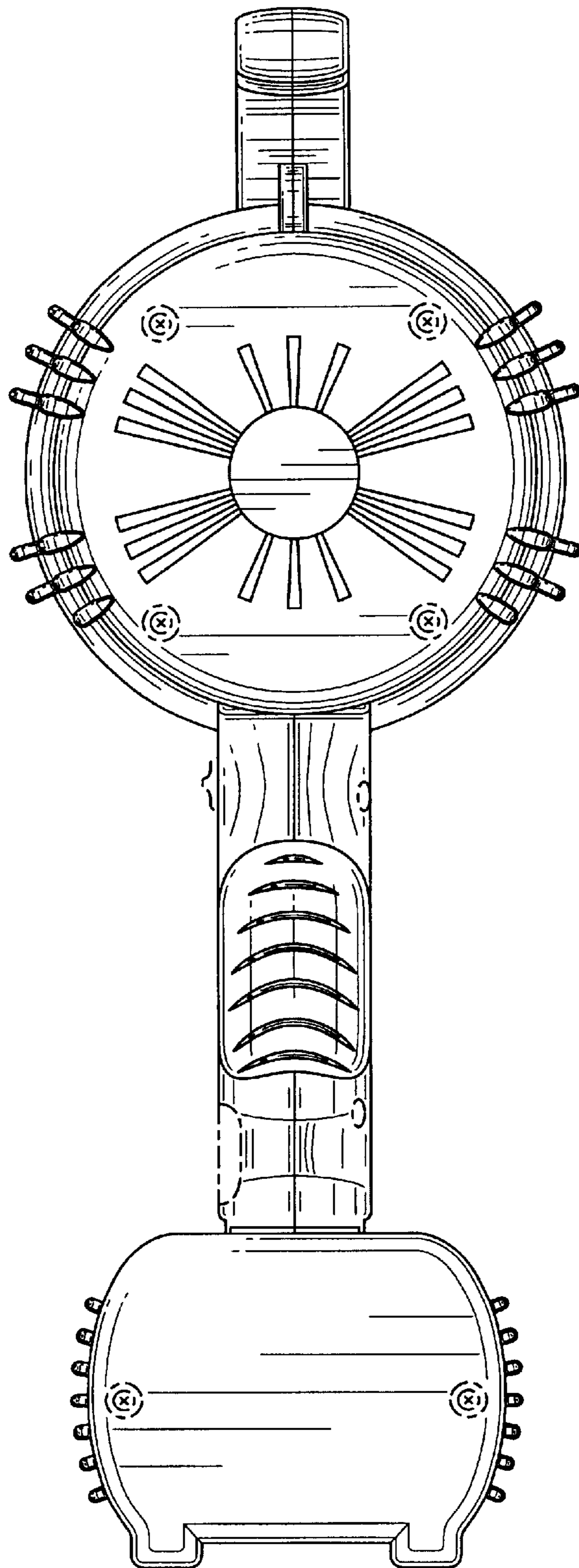


FIG. 10

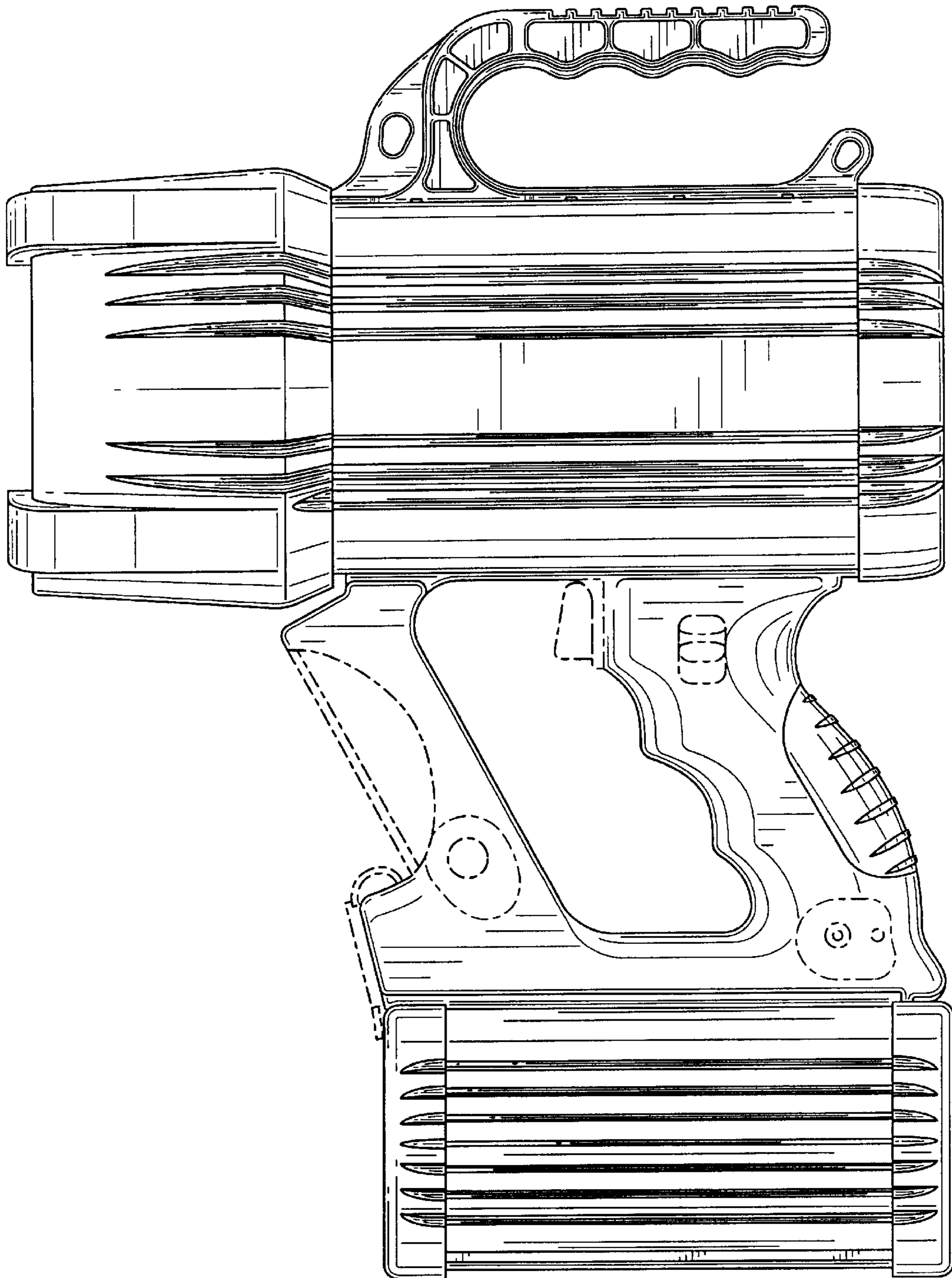


FIG. 11

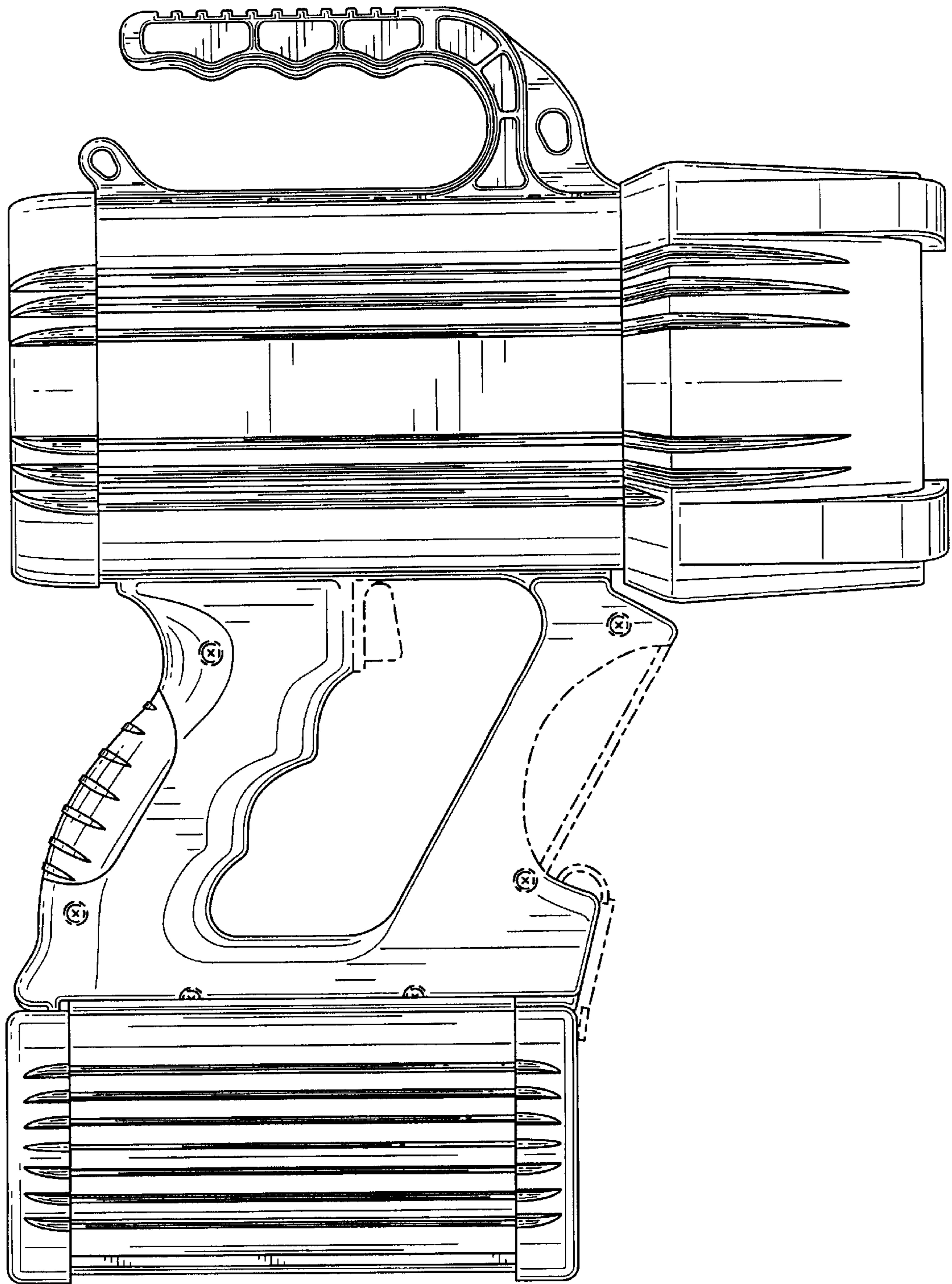


FIG. 12

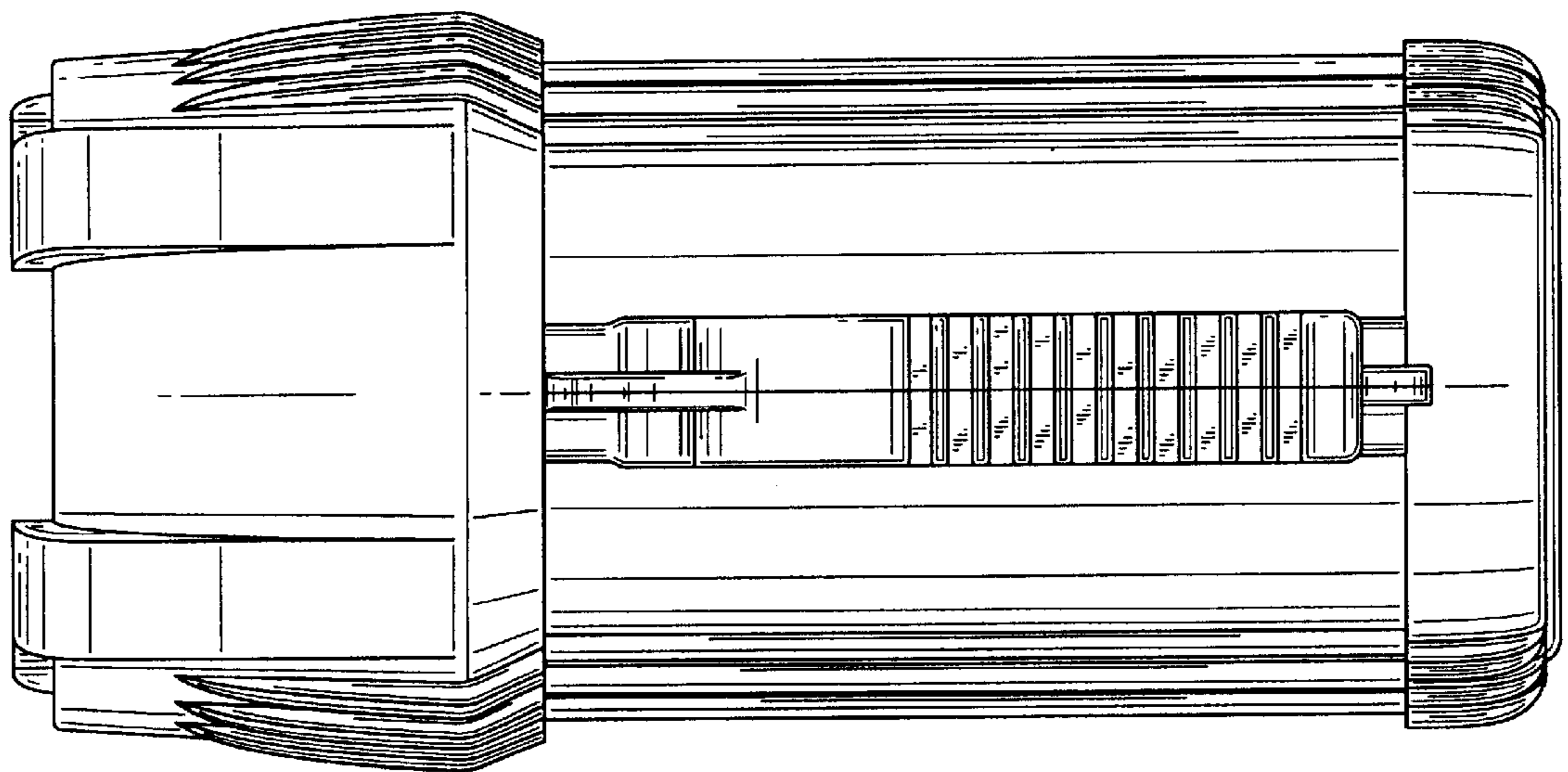


FIG. 13

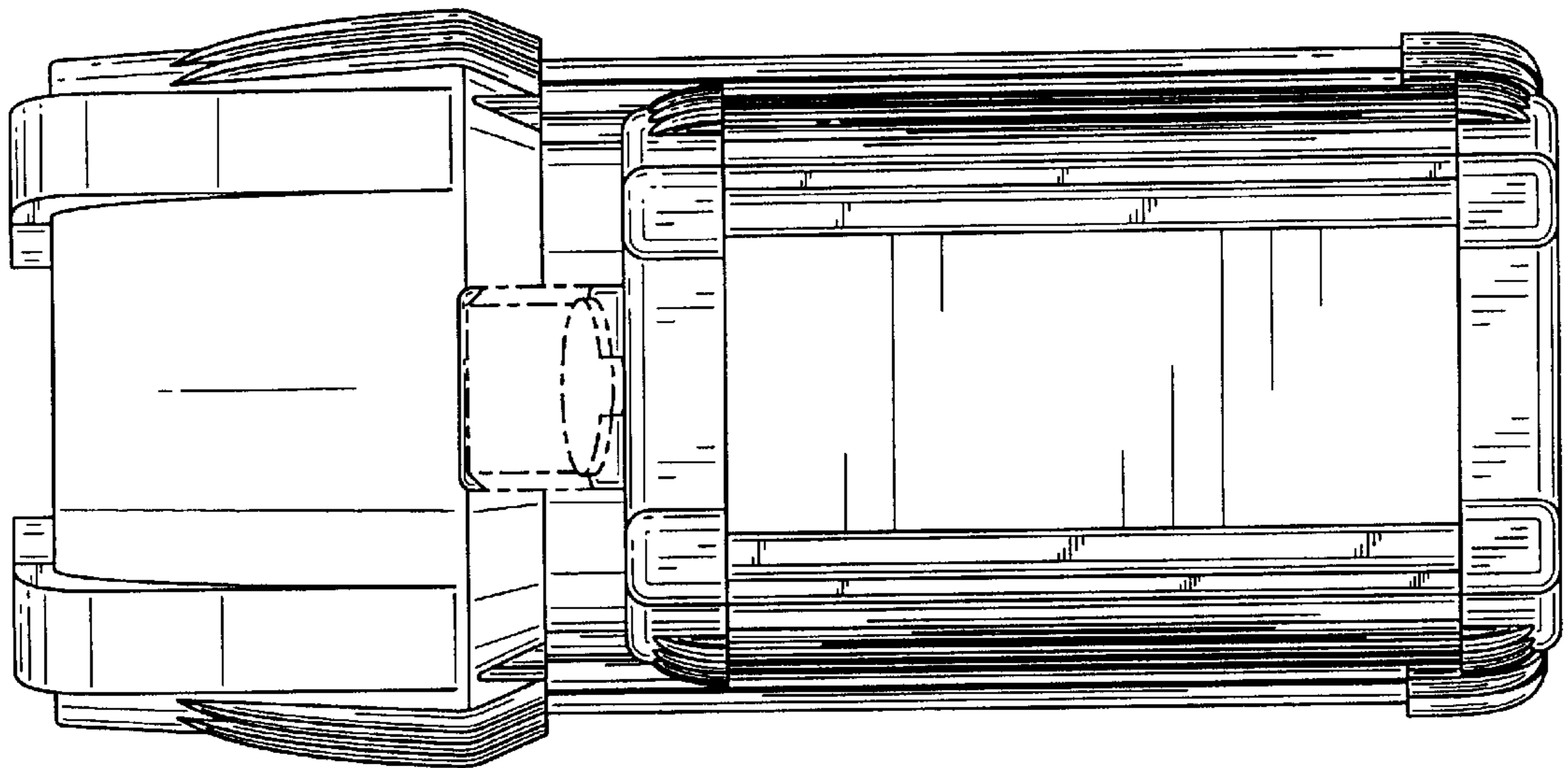


FIG. 14

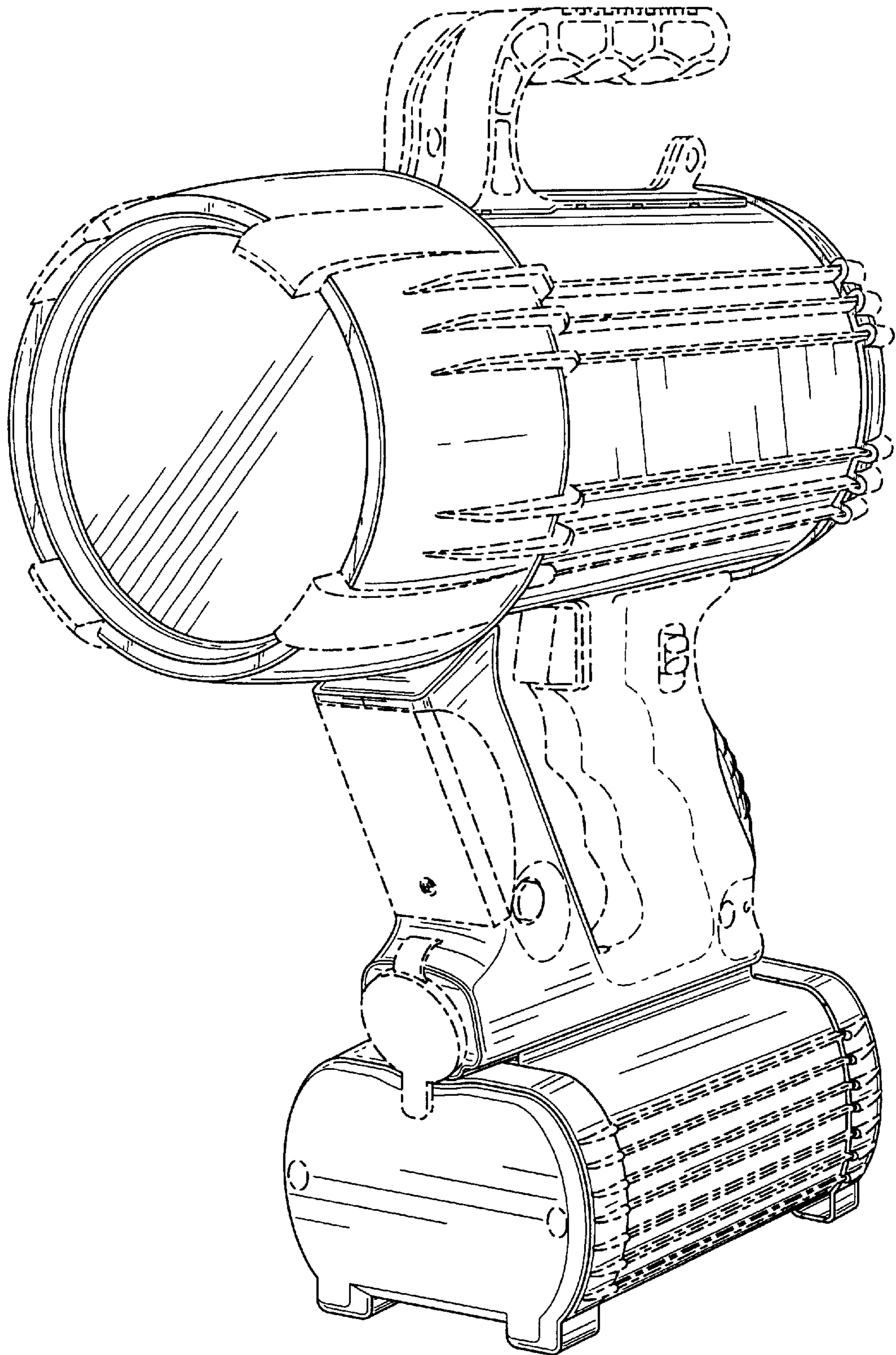


FIG. 15

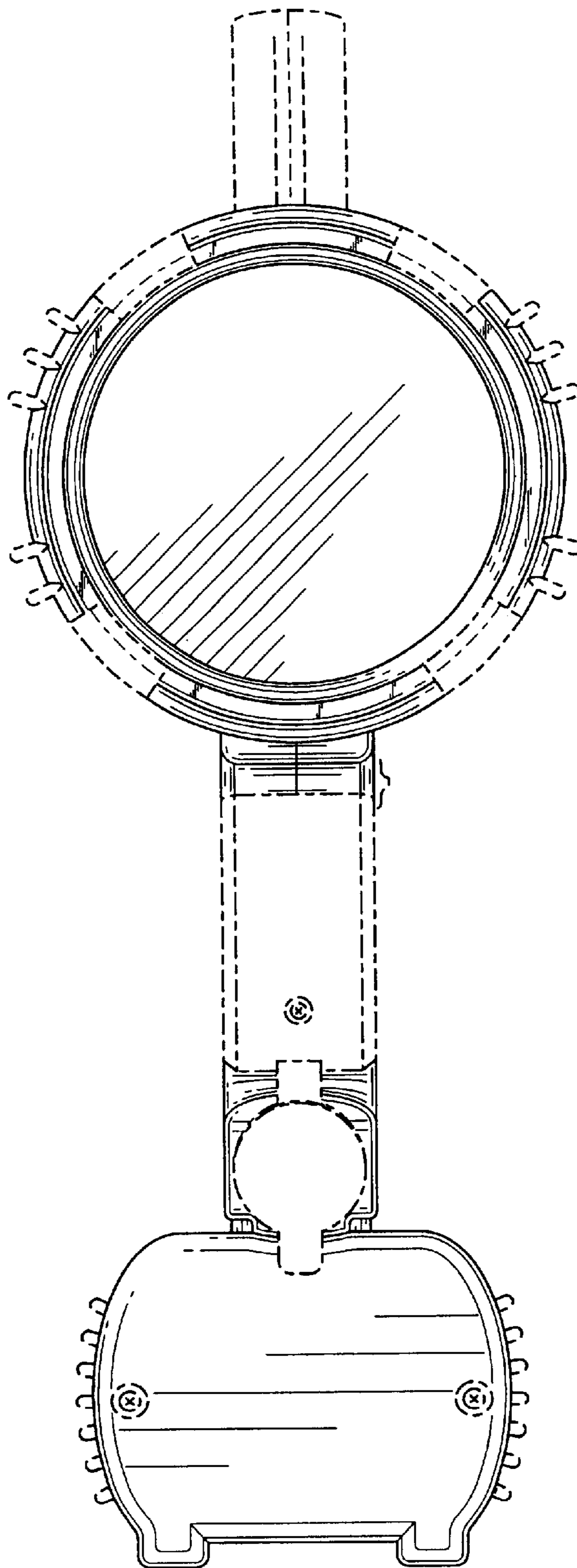


FIG. 16

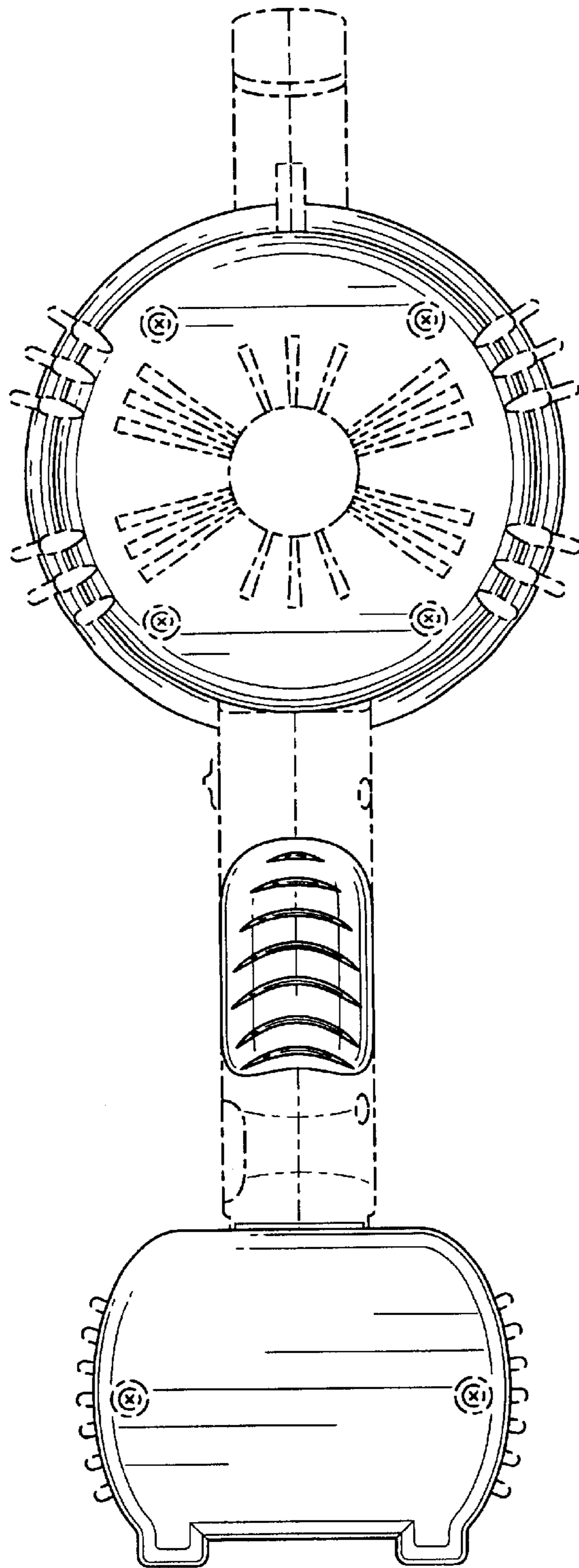


FIG. 17

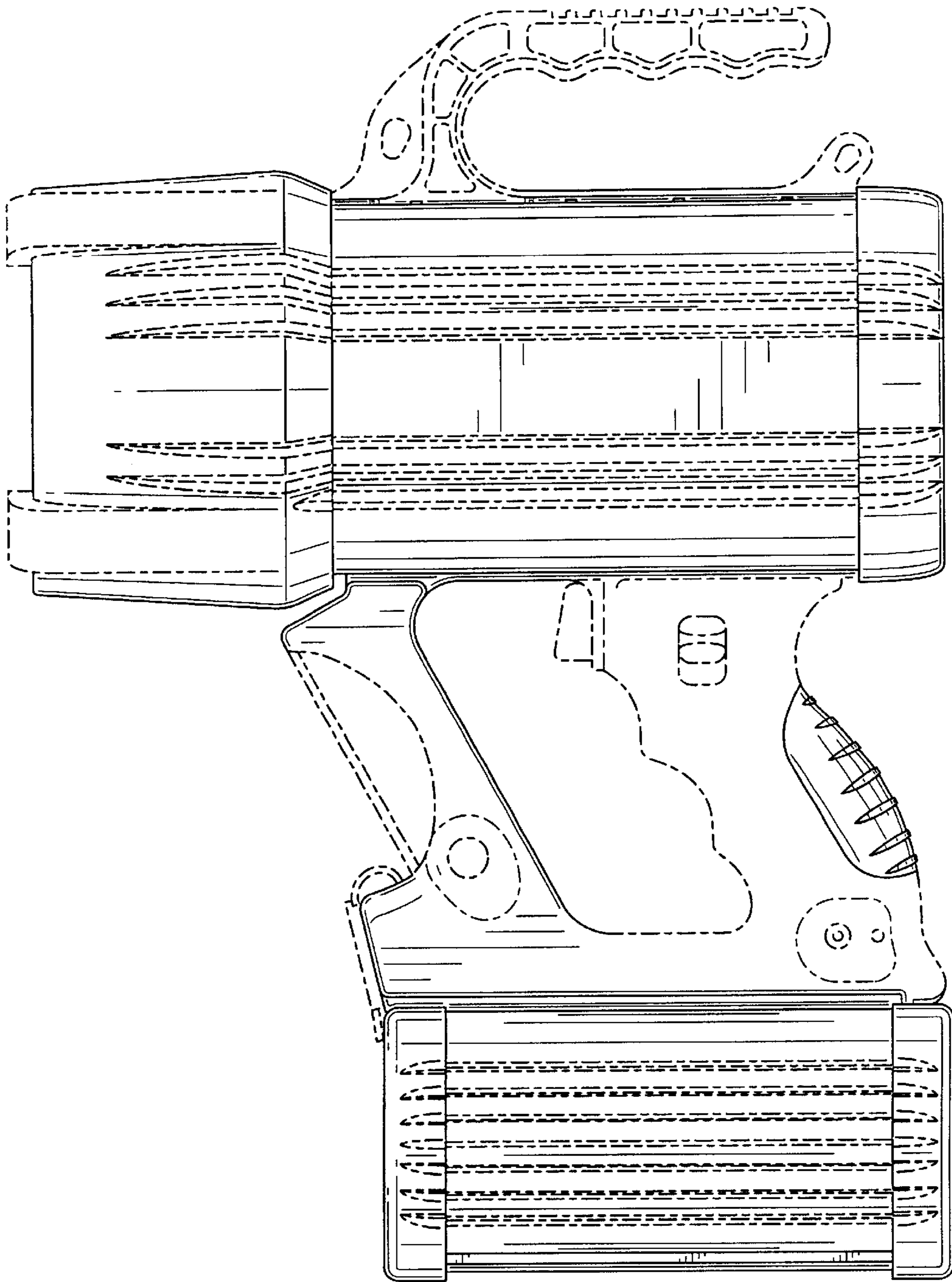


FIG. 18

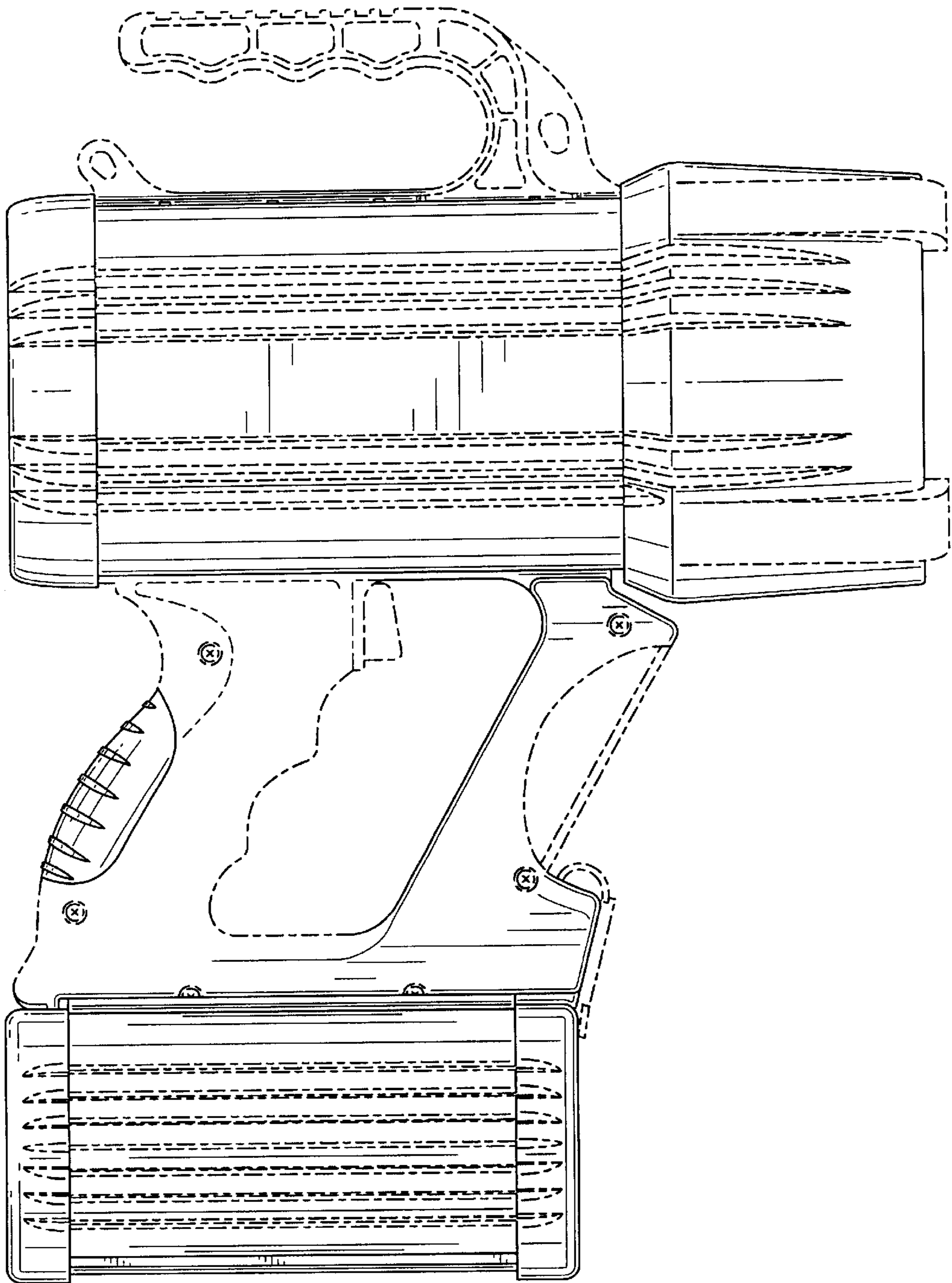


FIG. 19

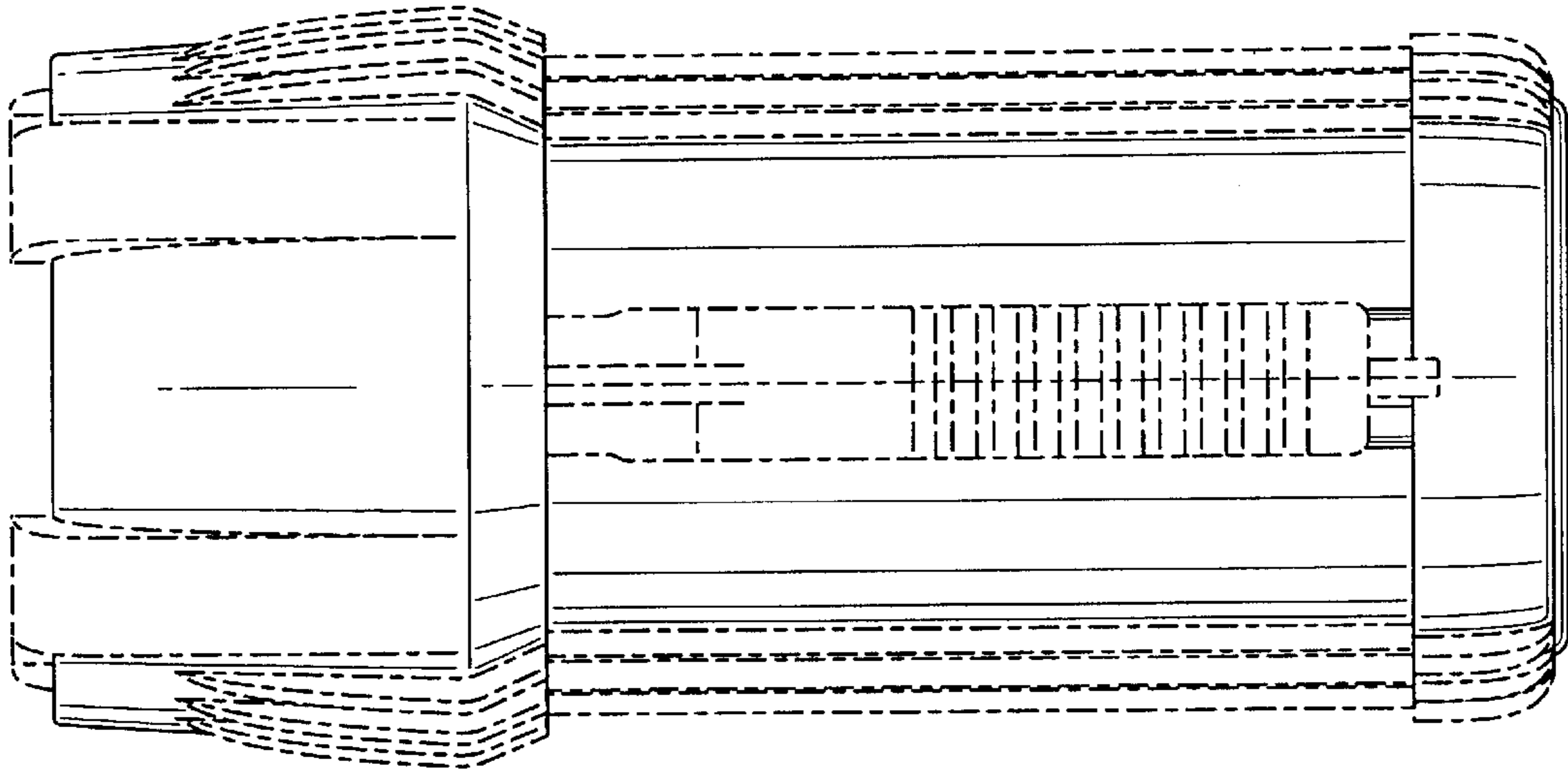


FIG. 20

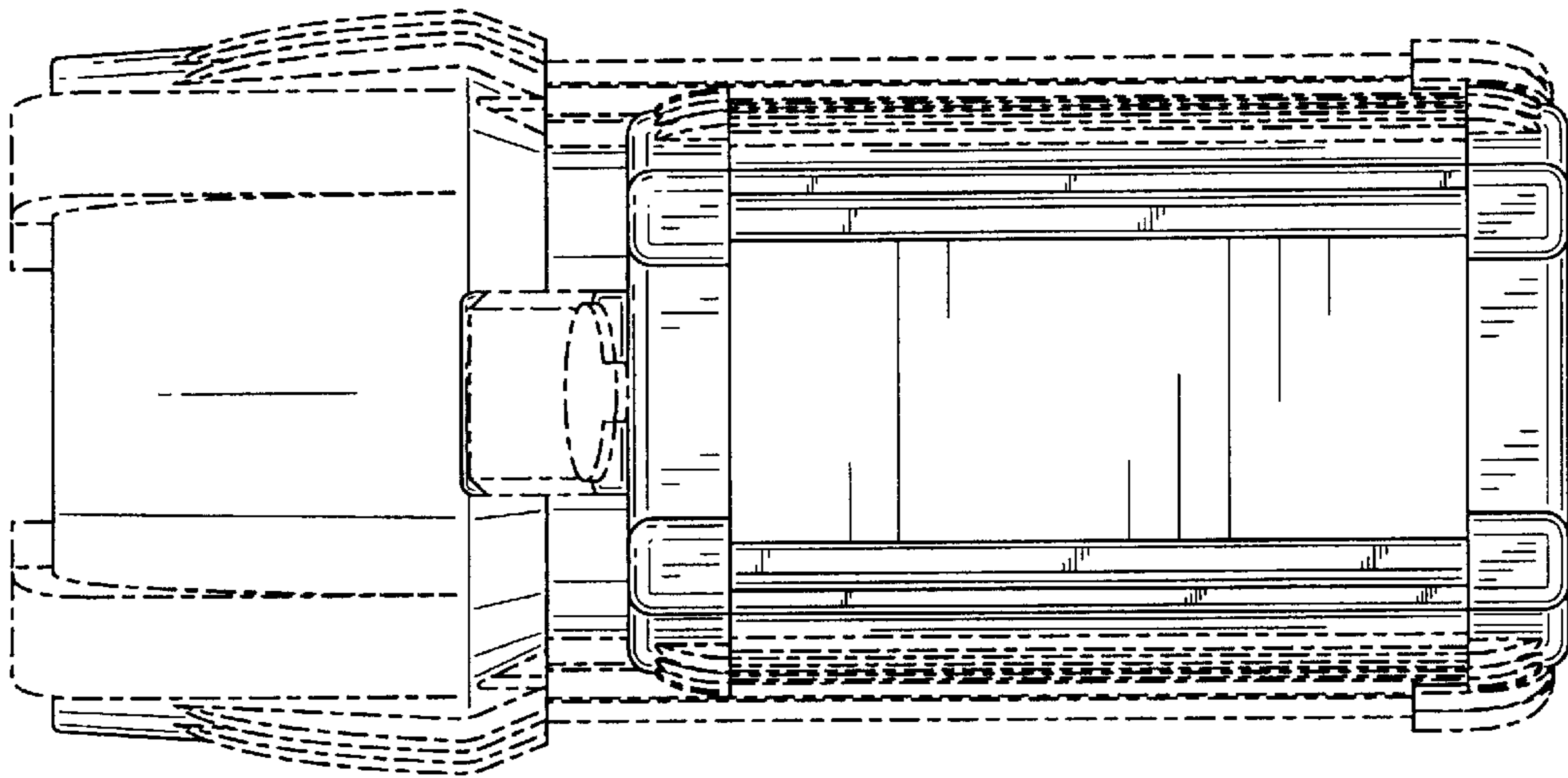


FIG. 21