



US00D490546S

(12) **United States Design Patent**  
**Walker**

(10) **Patent No.:** **US D490,546 S**

(45) **Date of Patent:** **\*\* May 25, 2004**

(54) **PICKET SPACER FOR RAILING SYSTEM**

6,460,829 B1 10/2002 Forbis et al.

(75) Inventor: **Simon Walker**, Delta (CA)

**FOREIGN PATENT DOCUMENTS**

(73) Assignee: **Peak Products Manufacturing Inc.**,  
Vancouver (CA)

CA 878854 8/1971  
CA 1289797 10/1991

(\*\*) Term: **14 Years**

**OTHER PUBLICATIONS**

(21) Appl. No.: **29/177,248**

Web printout from <http://www.ezedeck.co.uk/assembly2.htm>; dated Jul. 11, 2002 showing railing & spacer.

(22) Filed: **Mar. 7, 2003**

\* cited by examiner

(30) **Foreign Application Priority Data**

Jan. 10, 2003 (CA) ..... 103193

*Primary Examiner*—Doris Clark

(51) **LOC (7) Cl.** ..... **25-99**

(74) *Attorney, Agent, or Firm*—Paul Smith Intellectual Property Law; Paul Smith

(52) **U.S. Cl.** ..... **D25/199**

(58) **Field of Search** ..... 256/1, 65.14, 65.01,  
256/63, 64, 65.02; D25/38, 121, 199; D8/380,  
354

(57) **CLAIM**

What is claimed is the ornamental design for a picket spacer for railing system, as shown.

(56) **References Cited**

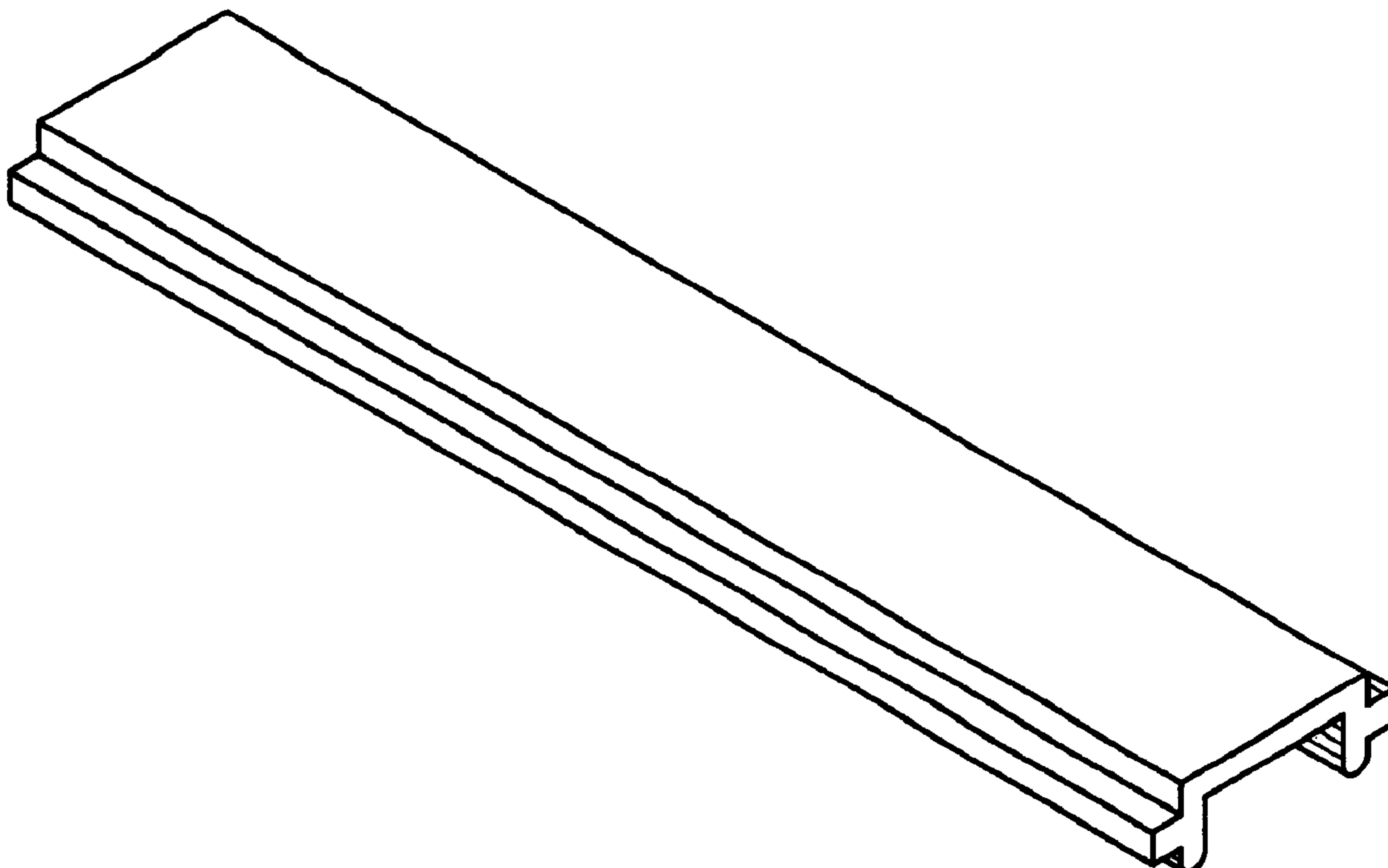
**DESCRIPTION**

**U.S. PATENT DOCUMENTS**

- 3,083,951 A 4/1963 Huret
- 3,822,053 A \* 7/1974 Daily ..... 256/65.01
- D232,807 S \* 9/1974 Toner ..... D25/199
- 4,272,061 A 6/1981 Suckno
- 4,346,872 A 8/1982 Tornya
- 4,809,955 A \* 3/1989 Veilleux ..... 256/65.01
- D380,140 S 6/1997 Siemens
- 6,168,346 B1 \* 1/2001 Ernsberger ..... 256/65.01

FIG. 1 is a perspective view of the top surfaces thereof;  
FIG. 2 is a perspective view of the bottom surfaces thereof;  
FIG. 3 is a top view thereof;  
FIG. 4 is a bottom view thereof;  
FIG. 5 is a side view thereof, where the left and right sides are identical; and,  
FIG. 6 is an end view thereof, where the front and back ends are identical.

**1 Claim, 2 Drawing Sheets**



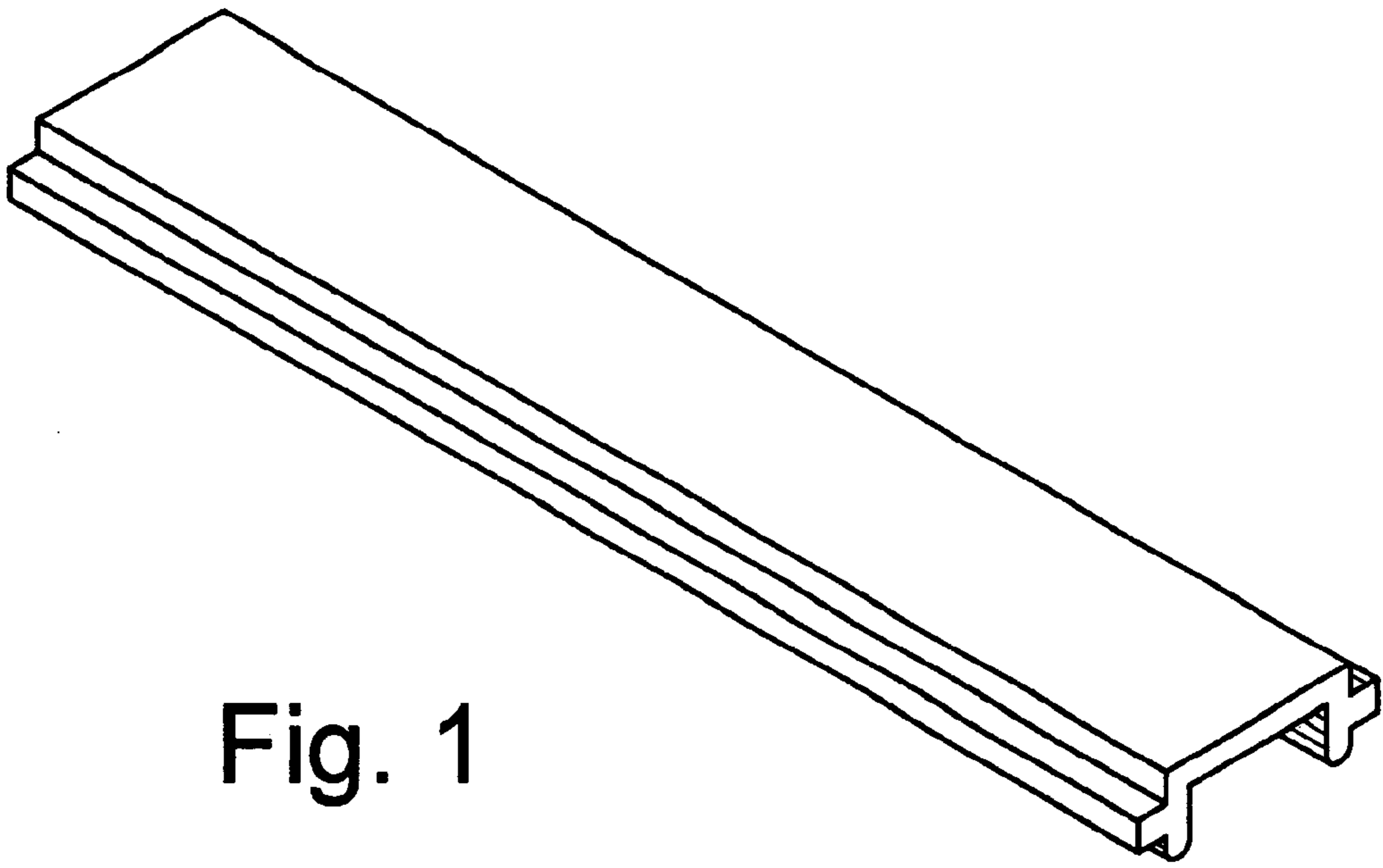


Fig. 1

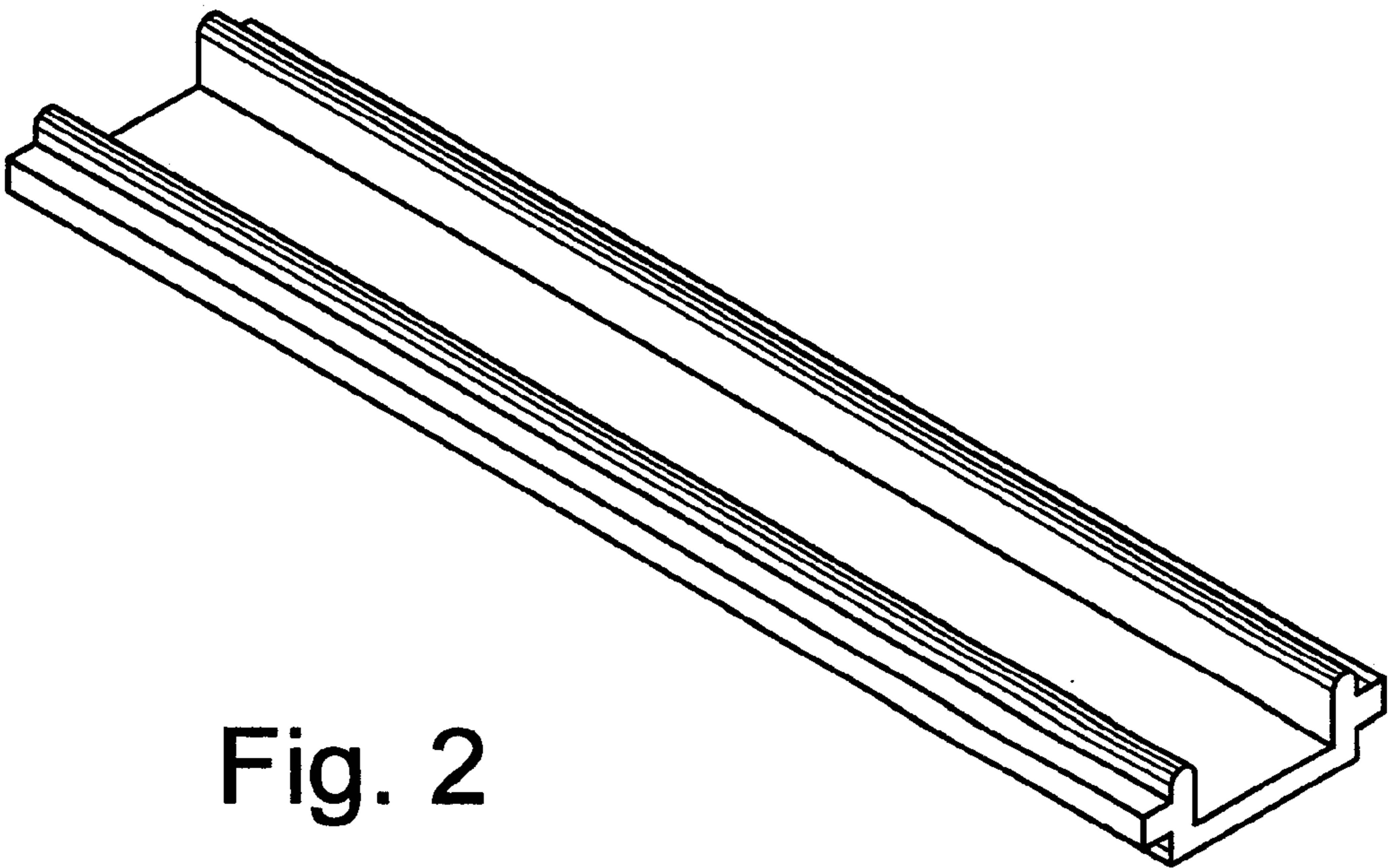


Fig. 2

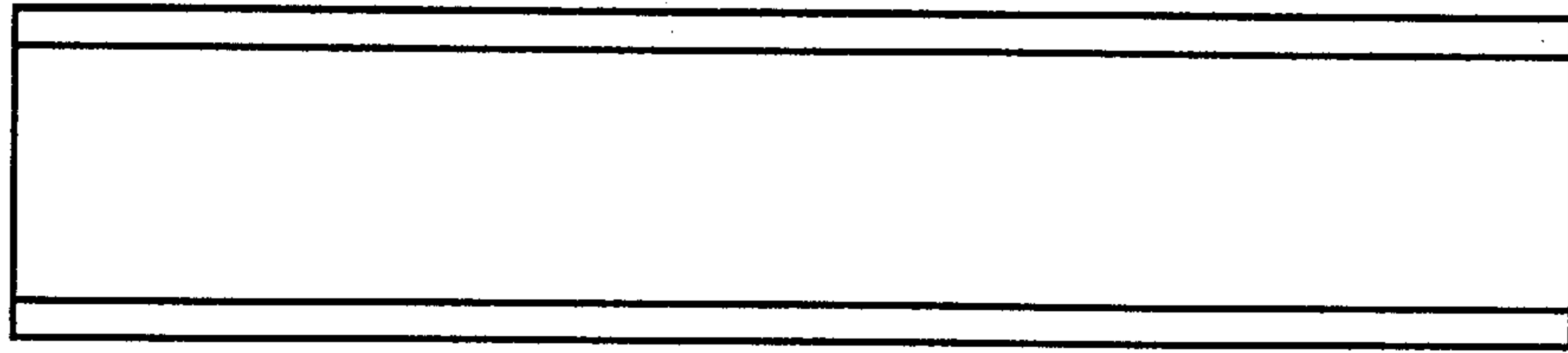


Fig. 3

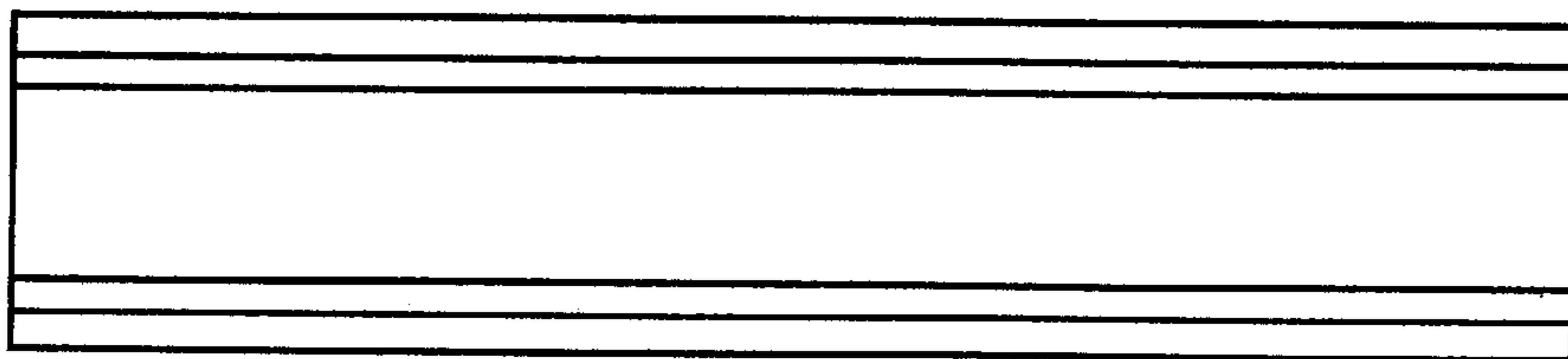


Fig. 4

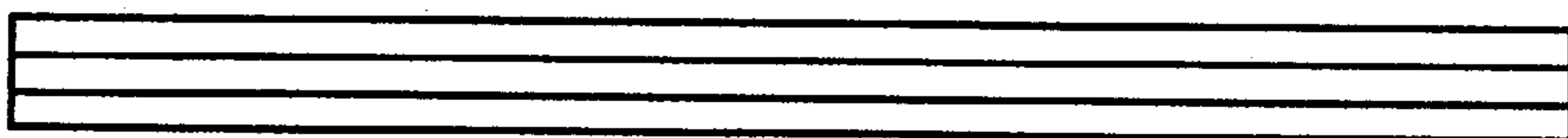


Fig. 5

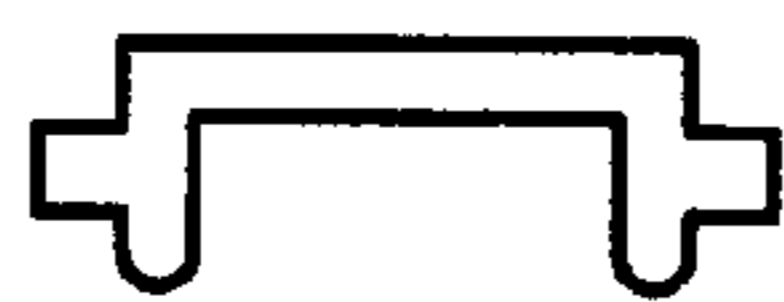


Fig. 6

UNITED STATES PATENT AND TRADEMARK OFFICE  
**CERTIFICATE OF CORRECTION**

PATENT NO. : Des. 490,546 S  
DATED : May 25, 2004  
INVENTOR(S) : Simon Walker

Page 1 of 4

It is certified that error appears in the above-identified patent and that said Letters Patent is hereby corrected as shown below:

The title page should be deleted to appear as per attached title page.

The sheets of drawings consisting of figures 1-6 should be deleted to appear as per attached figures 1-6.

Signed and Sealed this

Sixteenth Day of May, 2006

A handwritten signature in black ink on a dotted background. The signature reads "Jon W. Dudas" in a cursive style.

JON W. DUDAS

*Director of the United States Patent and Trademark Office*

(12) **United States Design Patent** (10) **Patent No.:** **US D490,546 S**  
**Walker** (45) **Date of Patent:** **\*\* May 25, 2004**

(54) **PICKET SPACER FOR RAILING SYSTEM**

6,460,829 B1 10/2002 Forbis et al.

(75) **Inventor:** **Simon Walker, Delta (CA)**

**FOREIGN PATENT DOCUMENTS**

(73) **Assignee:** **Peak Products Manufacturing Inc., Vancouver (CA)**

CA 878854 8/1971  
 CA 1289797 10/1991

(\*\*) **Term:** **14 Years**

**OTHER PUBLICATIONS**

(21) **Appl. No.:** **29/177,248**

Web printout from <http://www.ezedeck.co.uk/assembly2.htm>; dated Jul. 11, 2002 showing railing & spacer.

(22) **Filed:** **Mar. 7, 2003**

\* cited by examiner

(30) **Foreign Application Priority Data**

Jan. 10, 2003 (CA) ..... 103193

*Primary Examiner*—Doris Clark  
 (74) *Attorney, Agent, or Firm*—Paul Smith Intellectual Property Law; Paul Smith

(51) **LOC (7) Cl.** ..... **25-99**

(52) **U.S. Cl.** ..... **D25/199**

(57) **CLAIM**

(58) **Field of Search** ..... 256/1, 65.14, 65.01, 256/63, 64, 65.02; D25/38, 121, 199; D8/380, 354

What is claimed is the ornamental design for a picket spacer for railing system, as shown.

**DESCRIPTION**

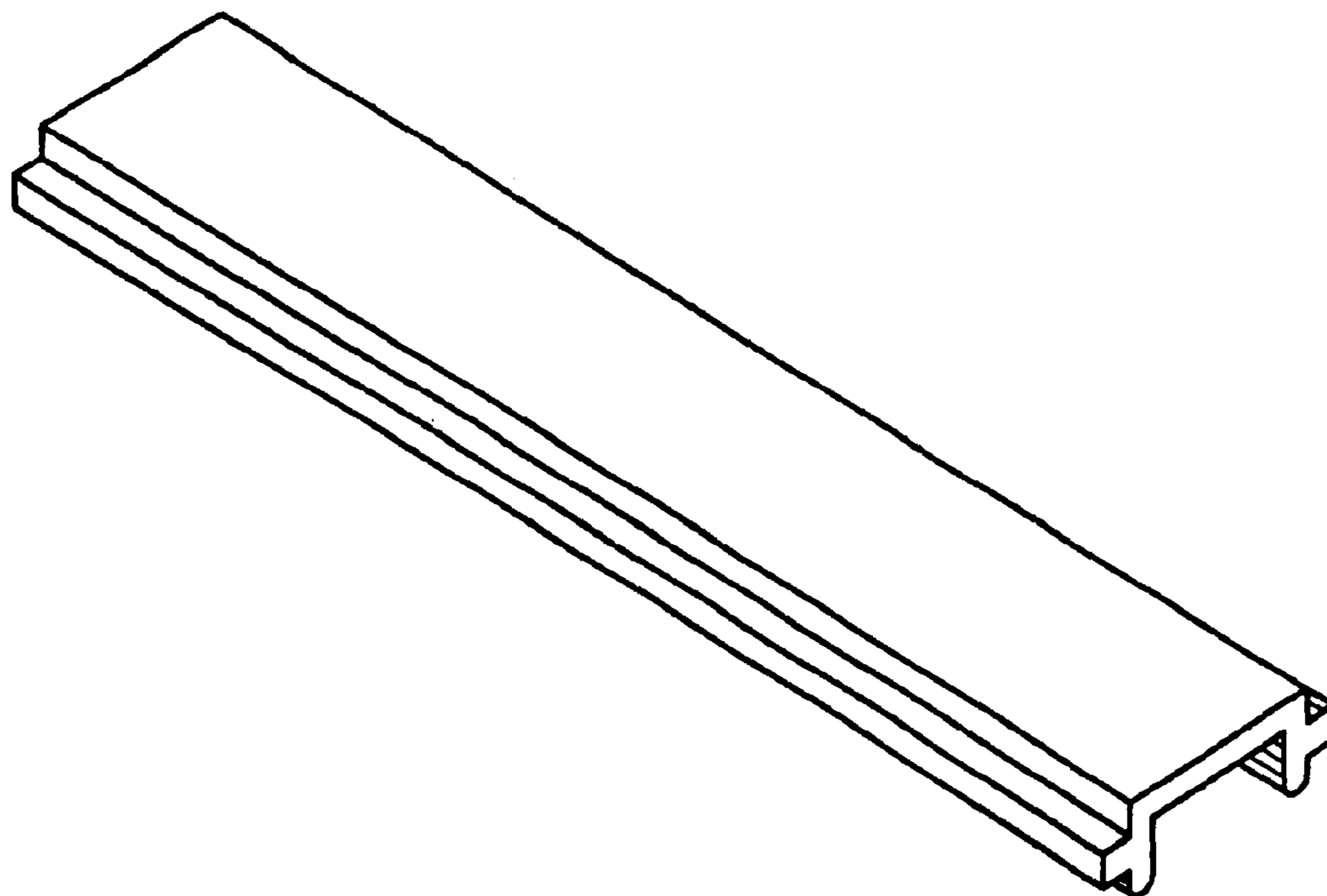
(56) **References Cited**

**U.S. PATENT DOCUMENTS**

- 3,083,951 A 4/1963 Huret
- 3,822,053 A \* 7/1974 Daily ..... 256/65.01
- D232,807 S \* 9/1974 Toner ..... D25/199
- 4,272,061 A 6/1981 Suckno
- 4,346,872 A 8/1982 Tornya
- 4,809,955 A \* 3/1989 Veilleux ..... 256/65.01
- D380,140 S 6/1997 Siemens
- 6,168,346 B1 \* 1/2001 Ernsberger ..... 256/65.01

FIG. 1 is a perspective view of the top surfaces thereof;  
 FIG. 2 is a perspective view of the bottom surfaces thereof;  
 FIG. 3 is a top view thereof;  
 FIG. 4 is a bottom view thereof;  
 FIG. 5 is a side view thereof, where the left and right sides are identical; and,  
 FIG. 6 is an end view thereof, where the front and back ends are identical.

**1 Claim, 2 Drawing Sheets**



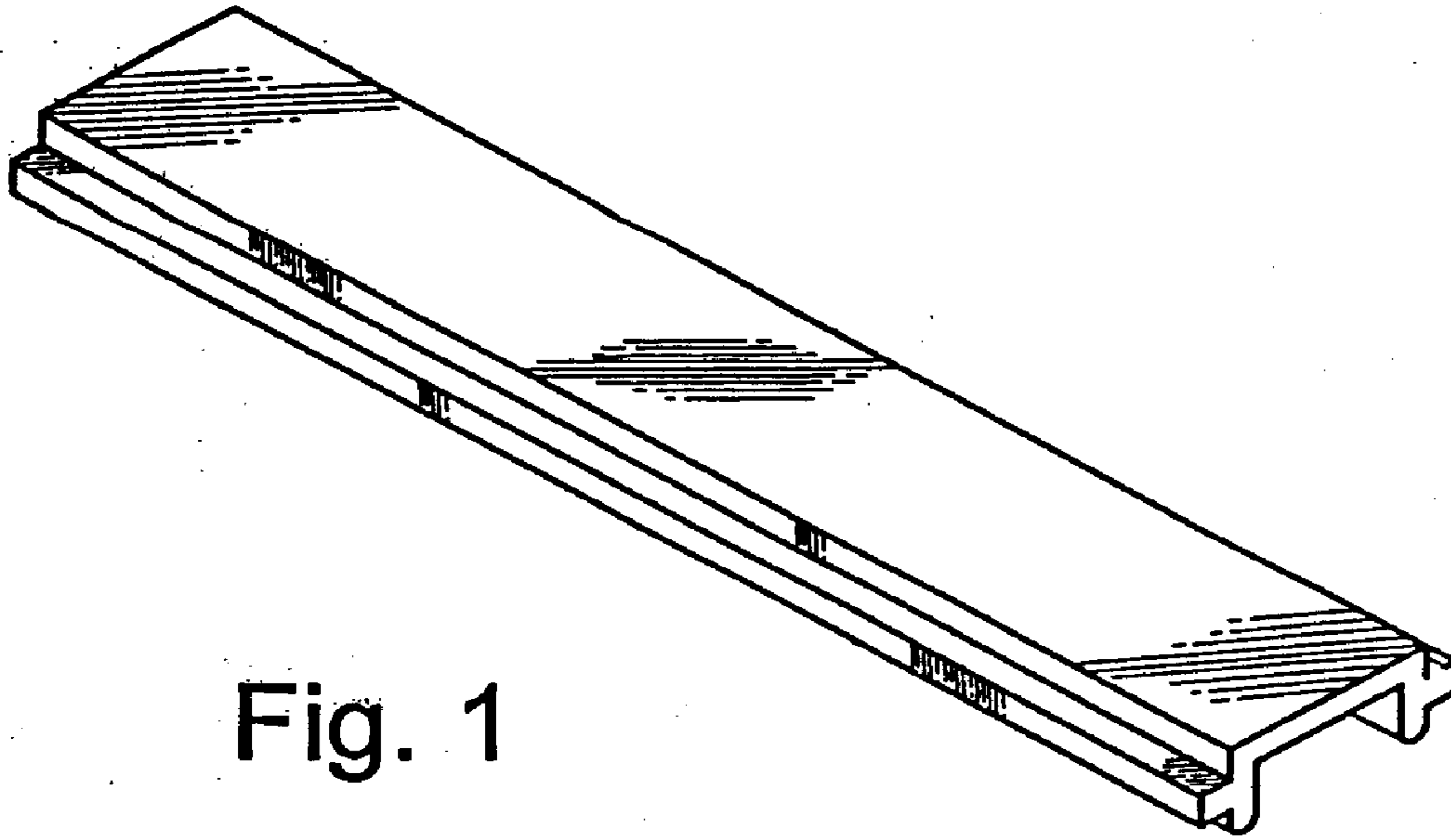


Fig. 1

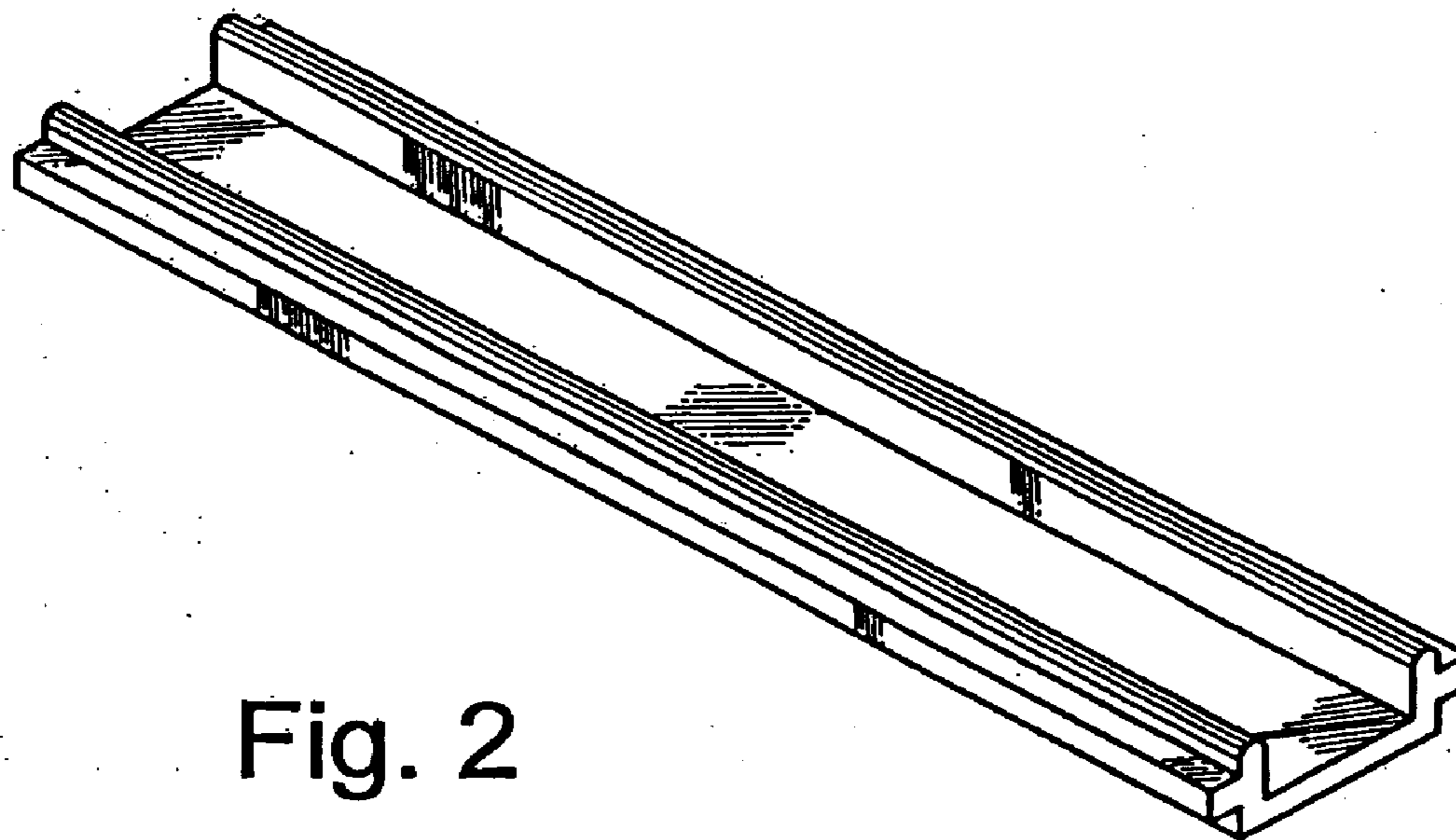


Fig. 2

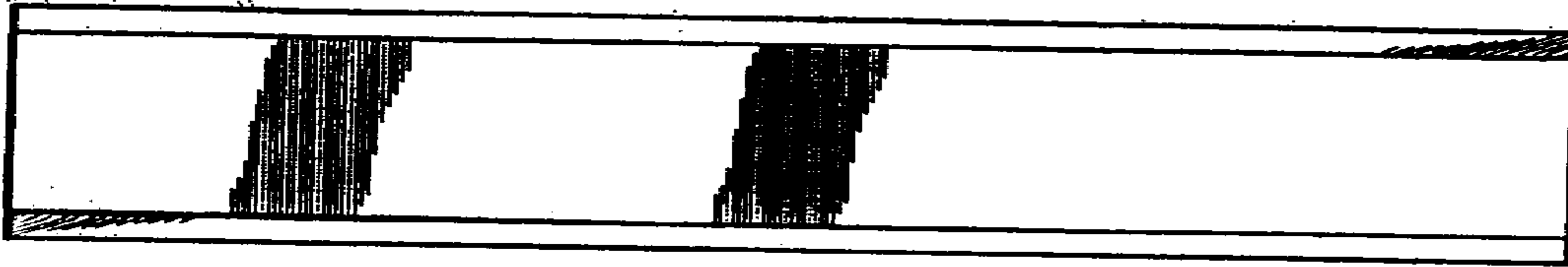


Fig. 3

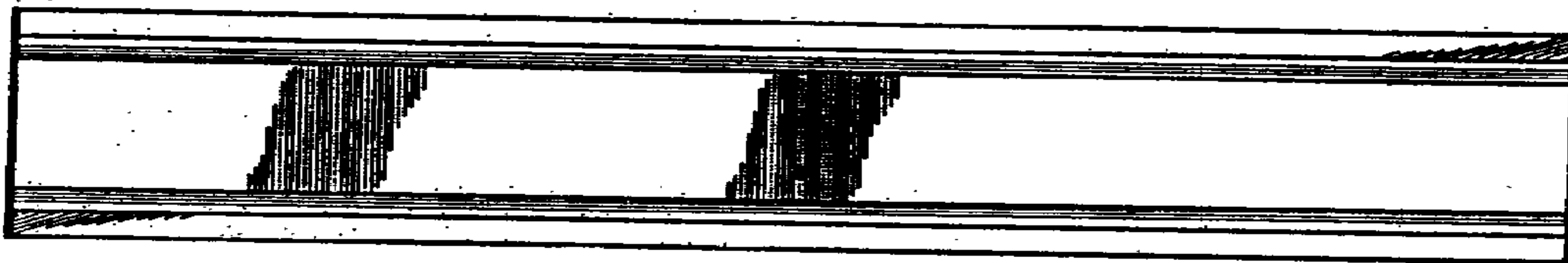


Fig. 4

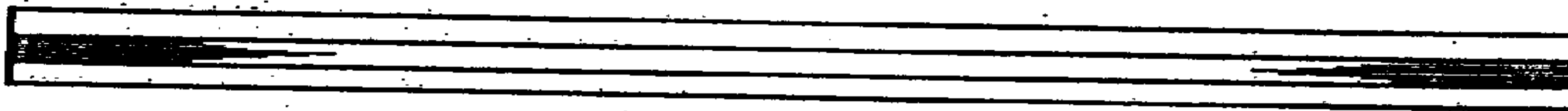


Fig. 5



Fig. 6