



US00D490542S

(12) **United States Design Patent**
MacDonald

(10) **Patent No.:** **US D490,542 S**

(45) **Date of Patent:** **** May 25, 2004**

(54) **LANDSCAPING BLOCK**

(75) **Inventor:** **Robert A. MacDonald**, Plymouth, MN (US)

(73) **Assignee:** **Keystone Retaining Wall Systems, Inc.**, Bloomington, MN (US)

(**) **Term:** **14 Years**

(21) **Appl. No.:** **29/182,982**

(22) **Filed:** **Jun. 3, 2003**

(51) **LOC (7) Cl.** **25-01**

(52) **U.S. Cl.** **D25/113**

(58) **Field of Search** D25/112-113,
D25/164; D21/484-486, 493; 405/16, 272,
284; 404/27-31, 34, 41-42; 52/574-575,
600, 604, 270, 608

(56) **References Cited**

U.S. PATENT DOCUMENTS

D435,305 S * 12/2000 Pullen et al. D25/164
D480,818 S * 10/2003 Ogawa et al. D25/113

OTHER PUBLICATIONS

Concrete Masonry Pictorial, vol. 27, No. 5, c. 1971: customized concrete masonry units by Paul Rudolph.*

* cited by examiner

Primary Examiner—Louis S. Zarfes

Assistant Examiner—Robert A Delehanty

(74) *Attorney, Agent, or Firm*—Popovich, Wiles & O’Connell, P.A.

(57) **CLAIM**

The ornamental design for a landscaping block, as shown and described.

DESCRIPTION

FIG. 1 is a perspective view of a landscaping block according to my new design.

FIG. 2 is a top plan view of the block of FIG. 1.

FIG. 3 is a bottom plan view of the block of FIG. 1.

FIG. 4 is a side elevational view of the block of FIG. 1.

FIG. 5 is a front plan view of the block of FIG. 1.

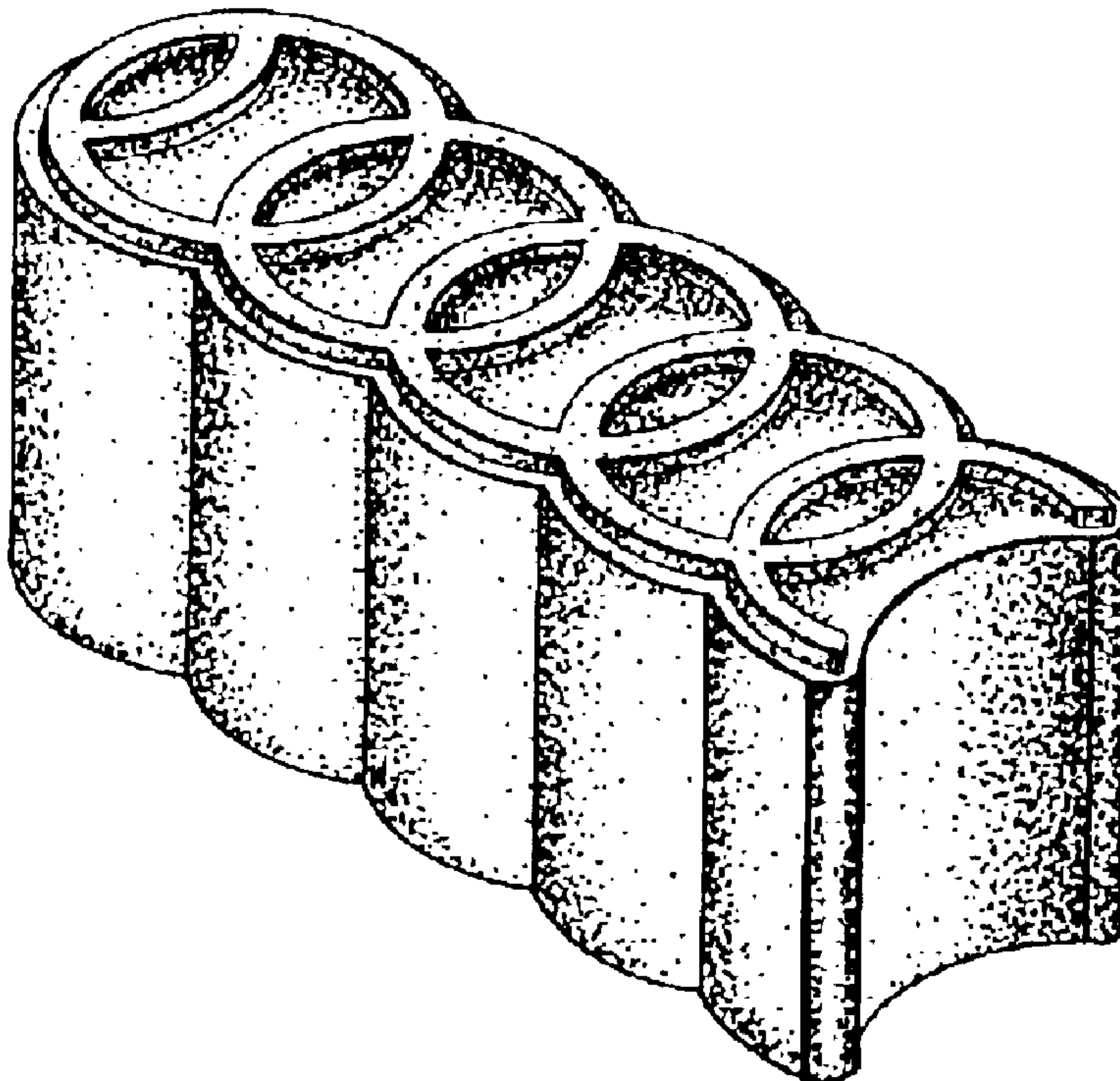
FIG. 6 is a side elevational view of the block of FIG. 1.

FIG. 7 is a back plan view of the block of FIG. 1; and,

FIG. 8 is a top view of a circle constructed with the landscaping block of FIG. 1.

The broken line showing of FIG. 8 is for illustrative purposes only and forms no part of the claimed design.

1 Claim, 4 Drawing Sheets



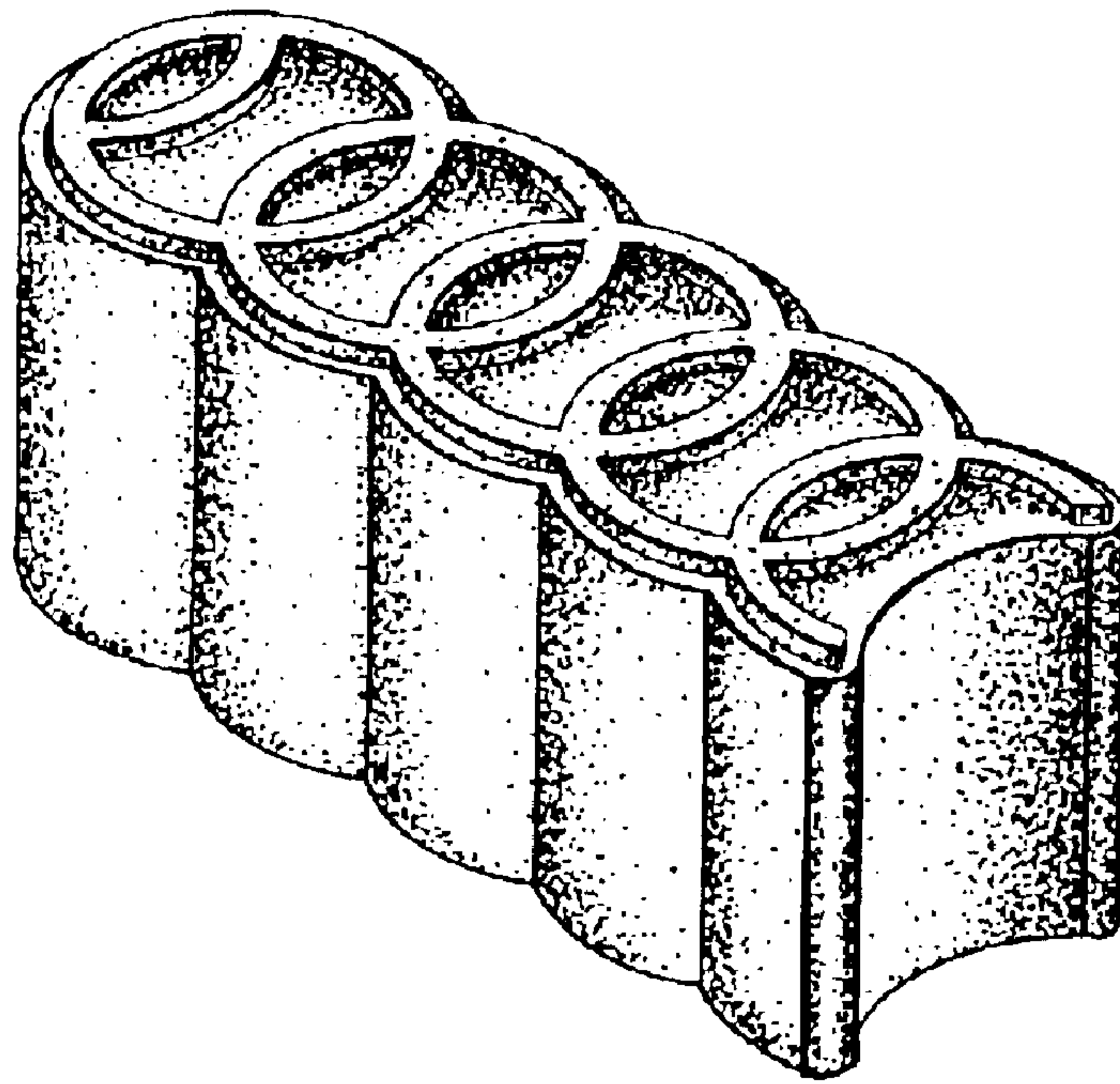


Fig. 1

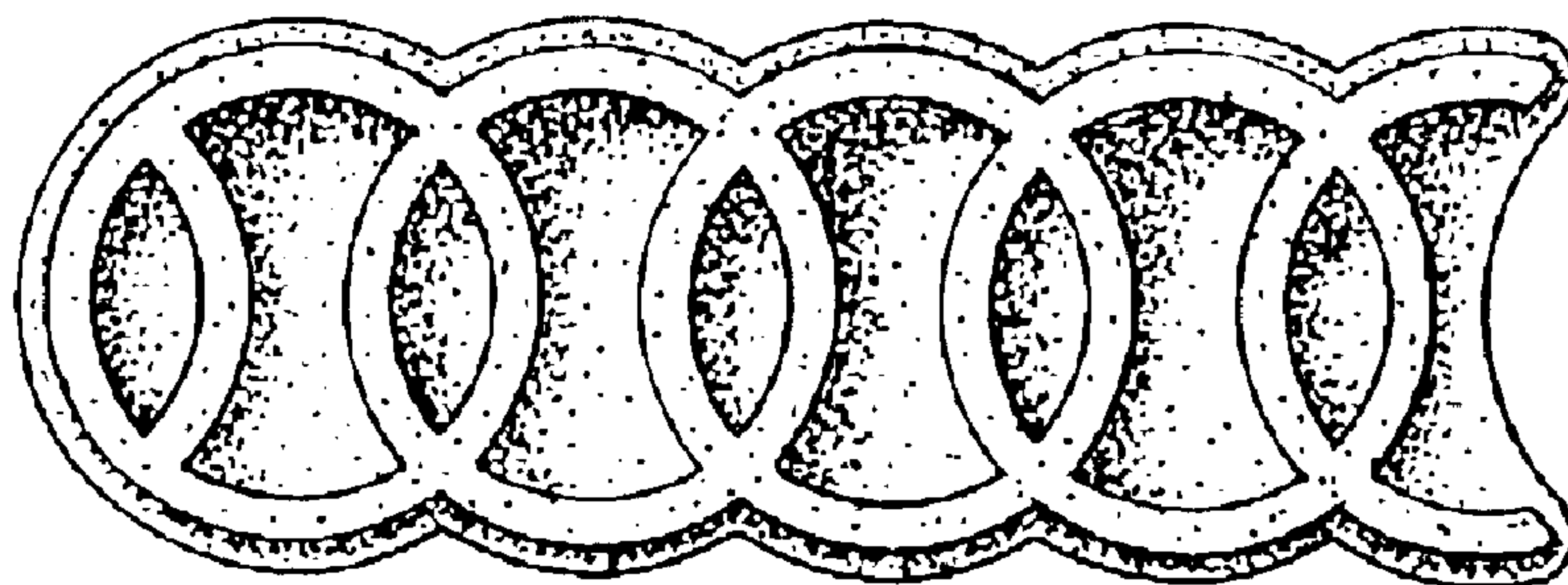


Fig. 2

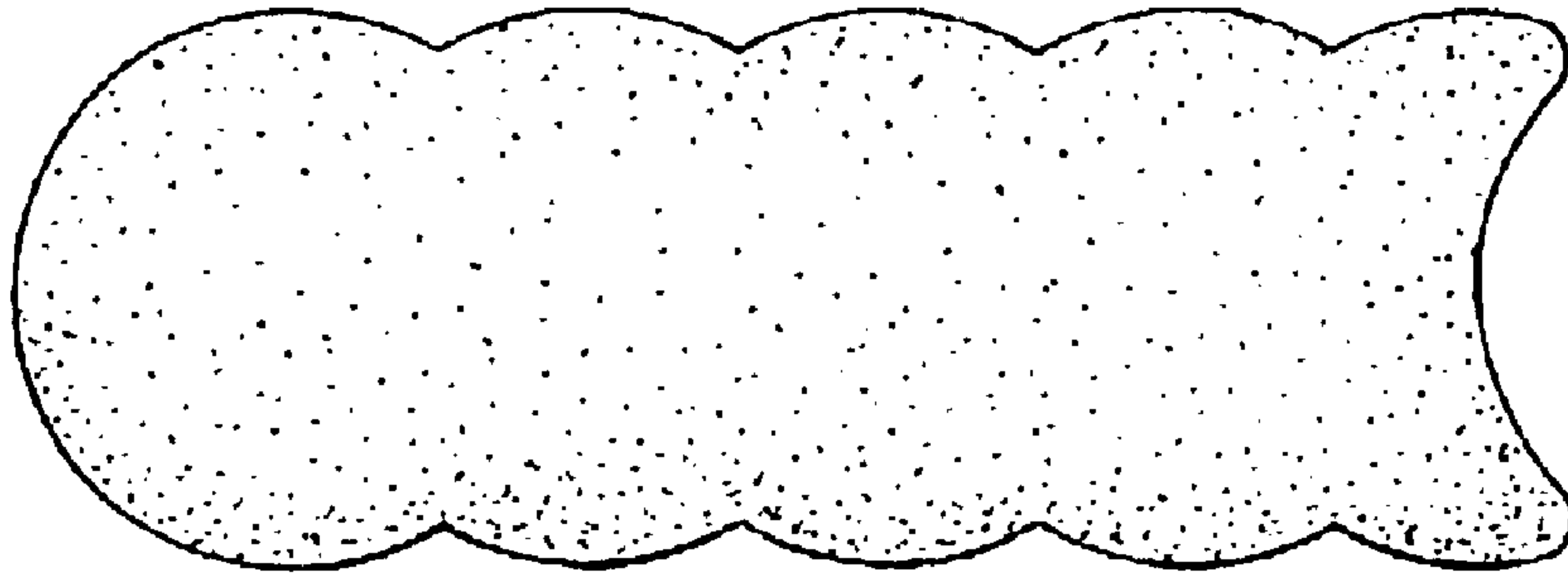


Fig. 3

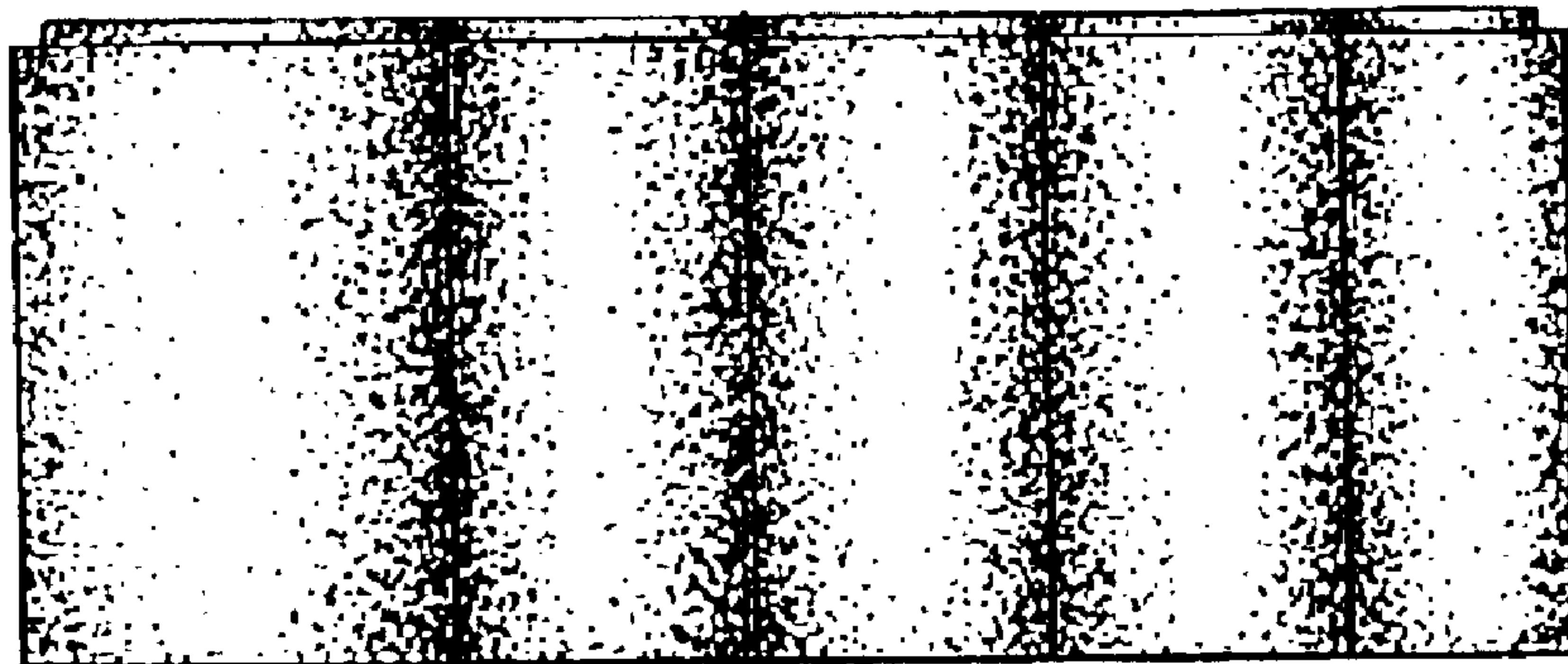


Fig. 4

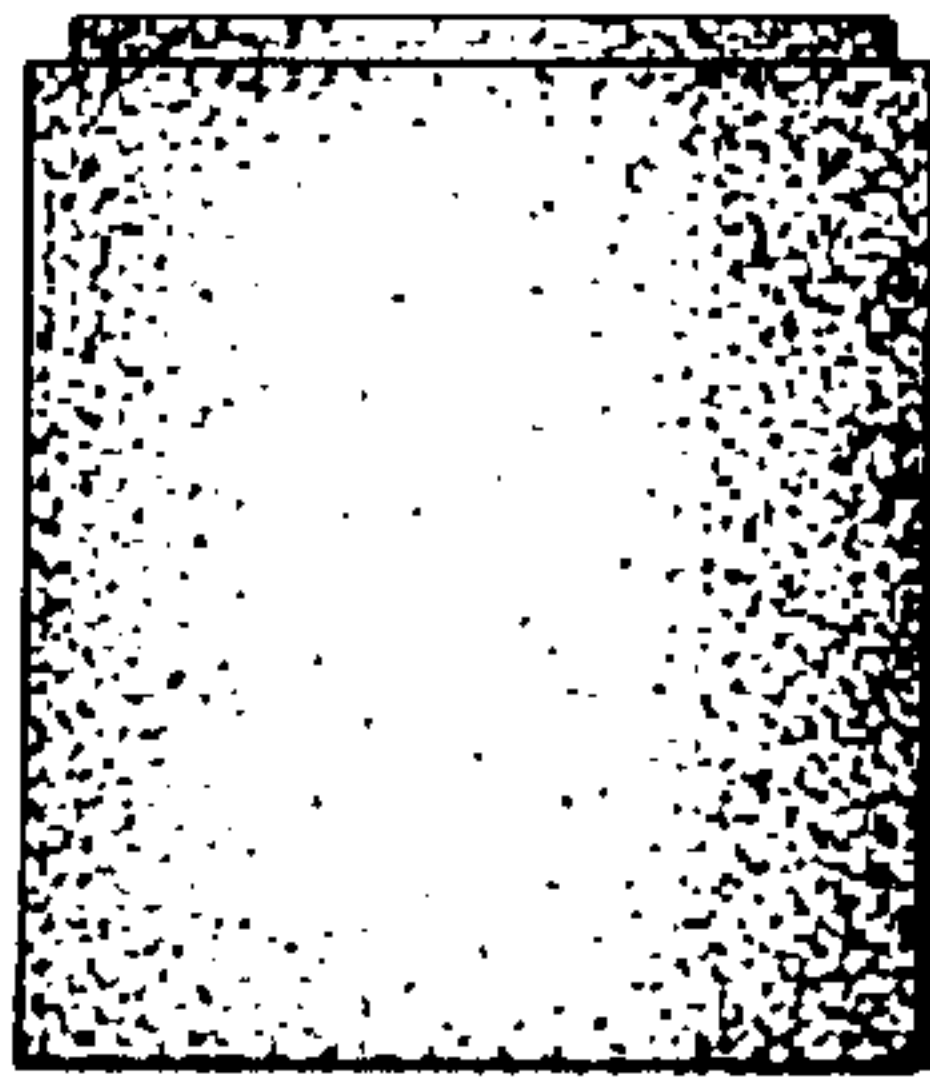


Fig. 5

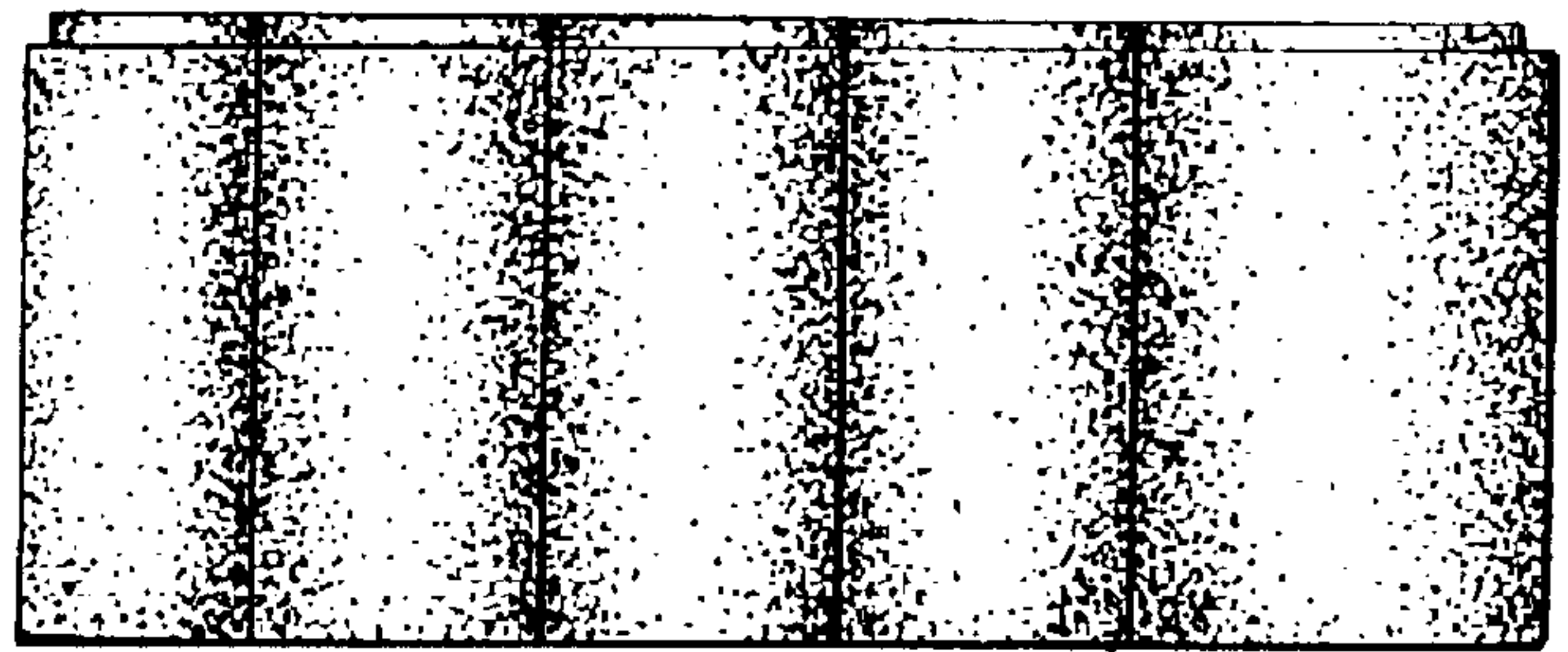


Fig. 6

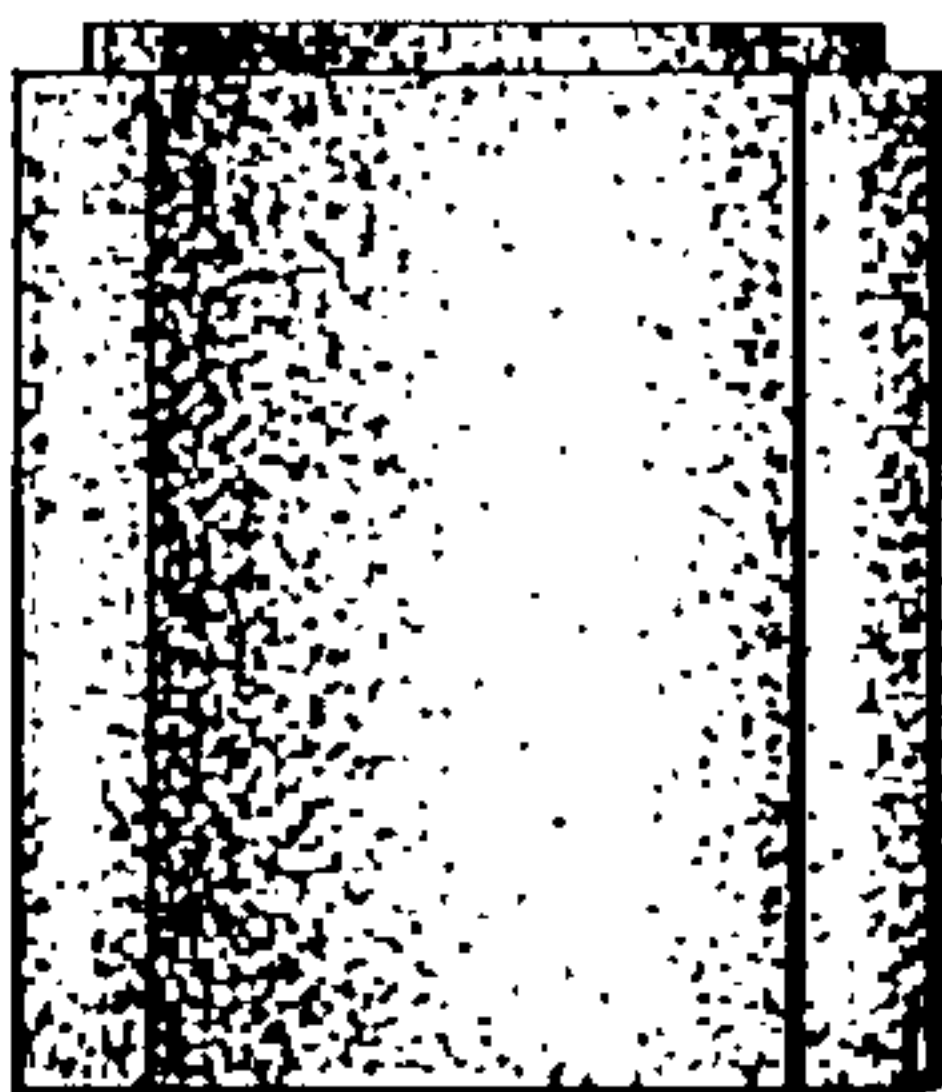


Fig. 7



Fig. 8