



US00D490527S

(12) **United States Design Patent**
Ijiri

(10) **Patent No.:** **US D490,527 S**

(45) **Date of Patent:** **** May 25, 2004**

(54) **OXYGENATOR**

(75) Inventor: **Tomonori Ijiri, Tokyo (JP)**

(73) Assignee: **Terumo Kabushiki Kaisha, Tokyo (JP)**

(**) Term: **14 Years**

(21) Appl. No.: **29/159,092**

(22) Filed: **Apr. 15, 2002**

(30) **Foreign Application Priority Data**

Oct. 15, 2001 (JP) 2001-033551

(51) **LOC (7) Cl.** **24-01**

(52) **U.S. Cl.** **D24/169**

(58) **Field of Search** D24/169; 210/321.6,
210/321.89, 500.23, 500.26; 261/DIG. 28;
604/6.14, 4, 5, 406; 422/44, 45, 46, 47,
48

(56) **References Cited**

U.S. PATENT DOCUMENTS

D290,875 S * 7/1987 Badolato et al. D24/169

5,039,430 A * 8/1991 Corey, Jr. 210/806

D320,445 S * 10/1991 Jones et al. D24/169

D320,661 S * 10/1991 Sone D24/169

5,120,502 A * 6/1992 Gordon et al. 422/48

D351,909 S * 10/1994 Nogawa et al. D24/169

* cited by examiner

Primary Examiner—Stella Reid

(74) *Attorney, Agent, or Firm*—Kenyon & Kenyon

(57) **CLAIM**

The ornamental design for an oxygenator, as shown and described.

DESCRIPTION

FIG. 1 is a front view of an oxygenator showing my new design;

FIG. 2 is a rear view thereof;

FIG. 3 is a top view thereof;

FIG. 4 is a bottom view thereof;

FIG. 5 is a right side view thereof;

FIG. 6 is a left side view thereof; and,

FIG. 7 is a perspective view thereof.

1 Claim, 7 Drawing Sheets

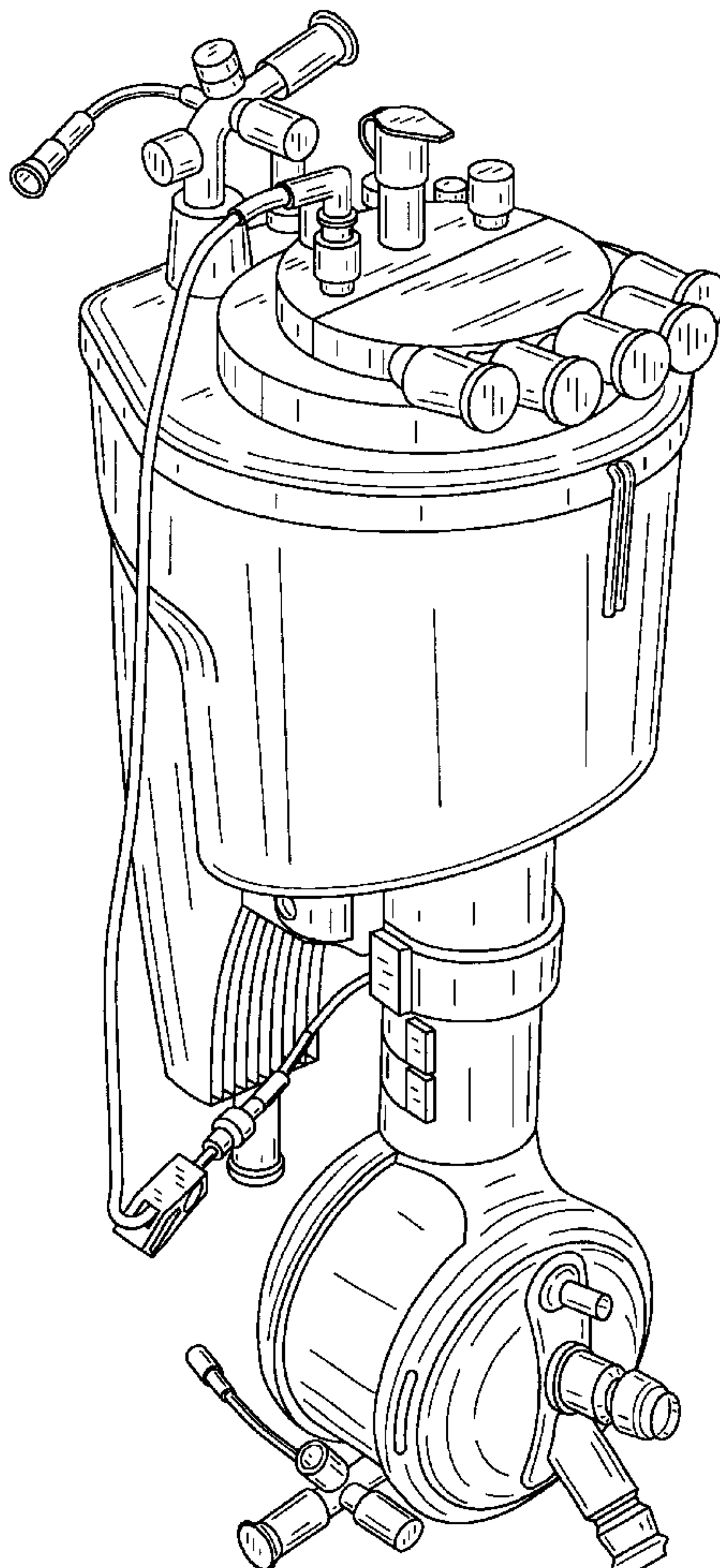


FIG. 1

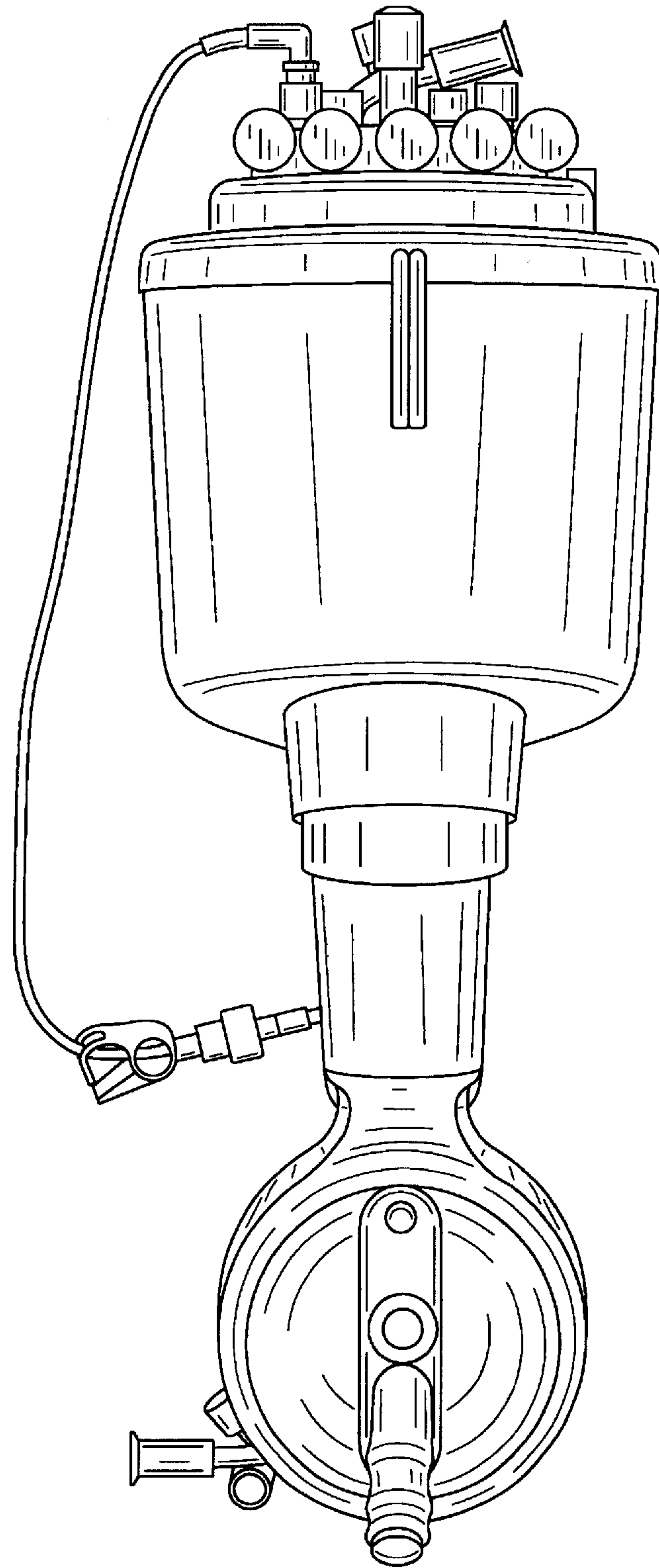


FIG. 2

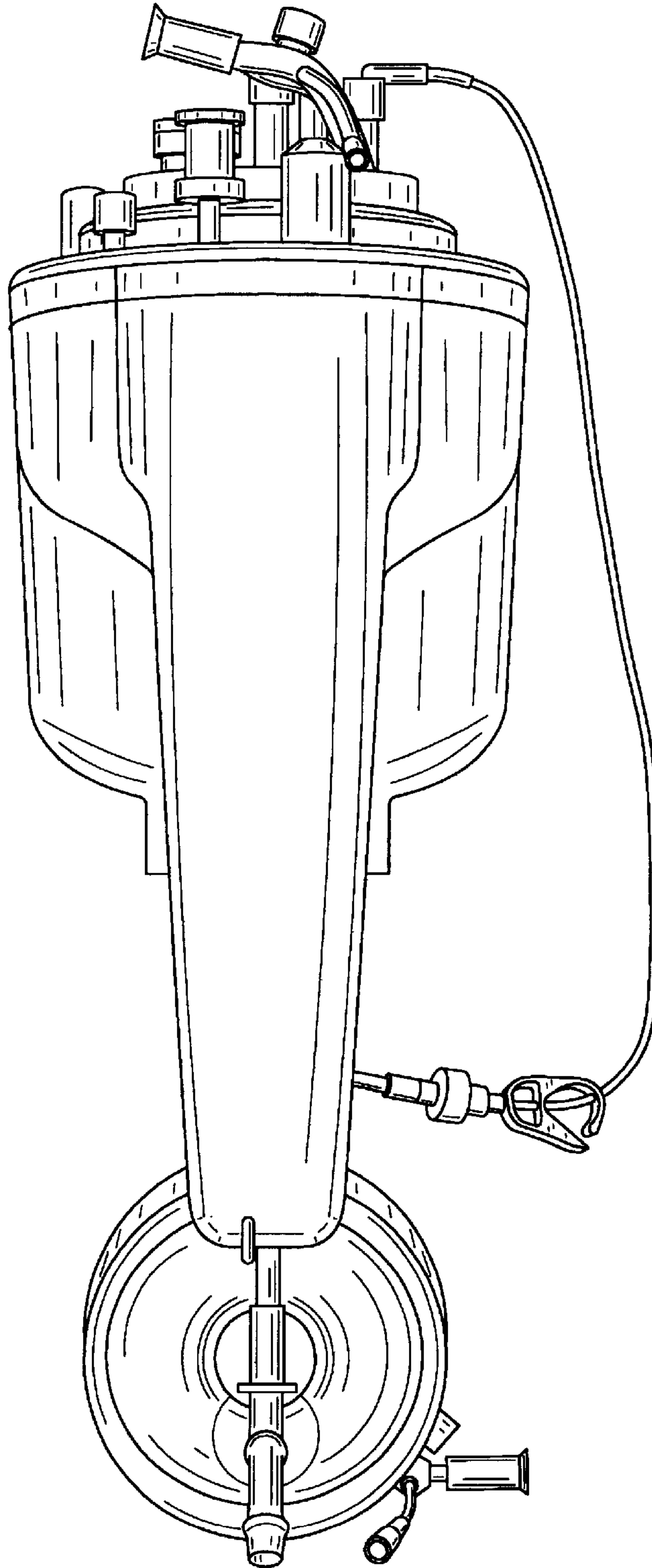


FIG. 3

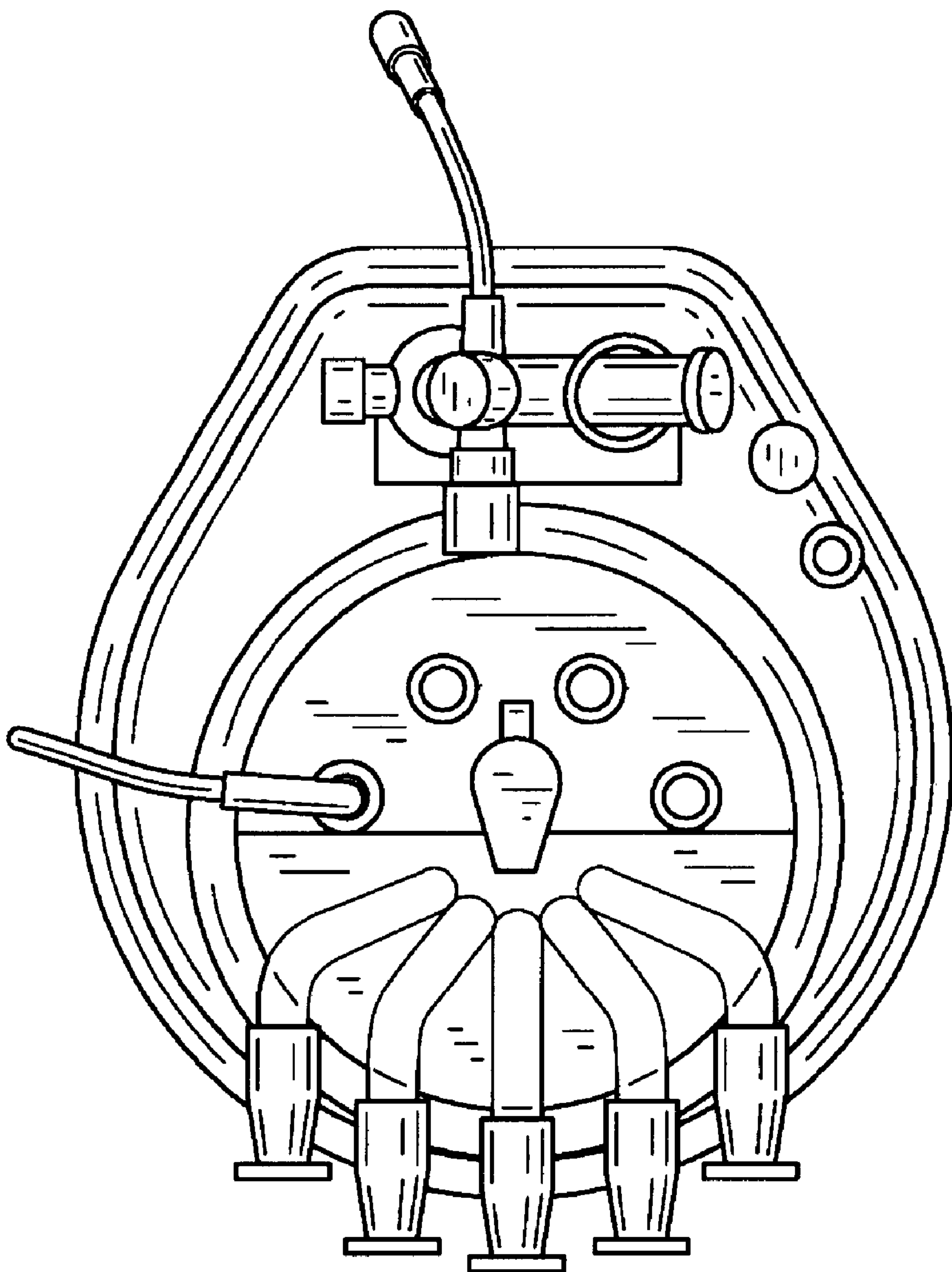


FIG. 4

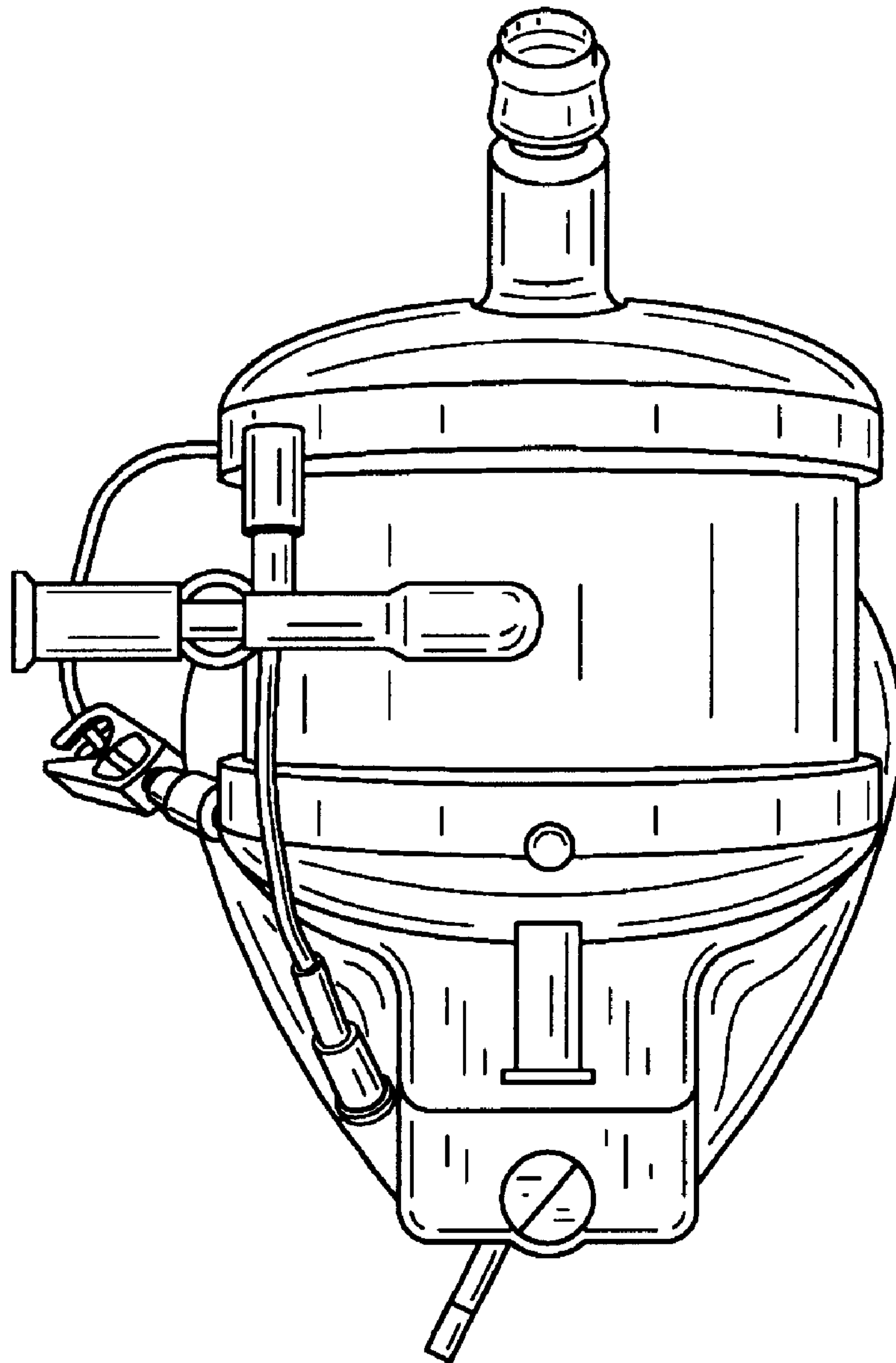


FIG. 5

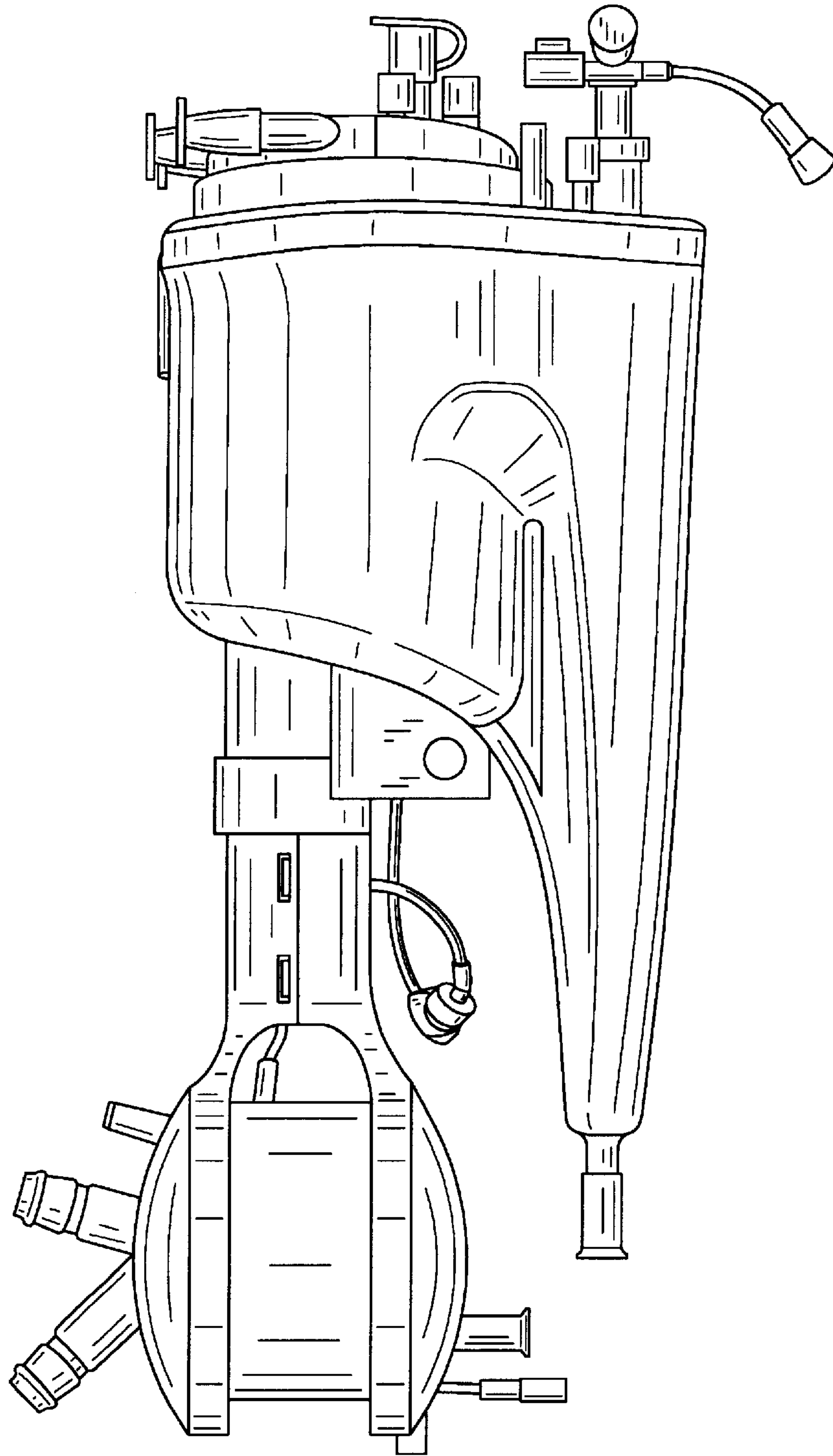


FIG. 6

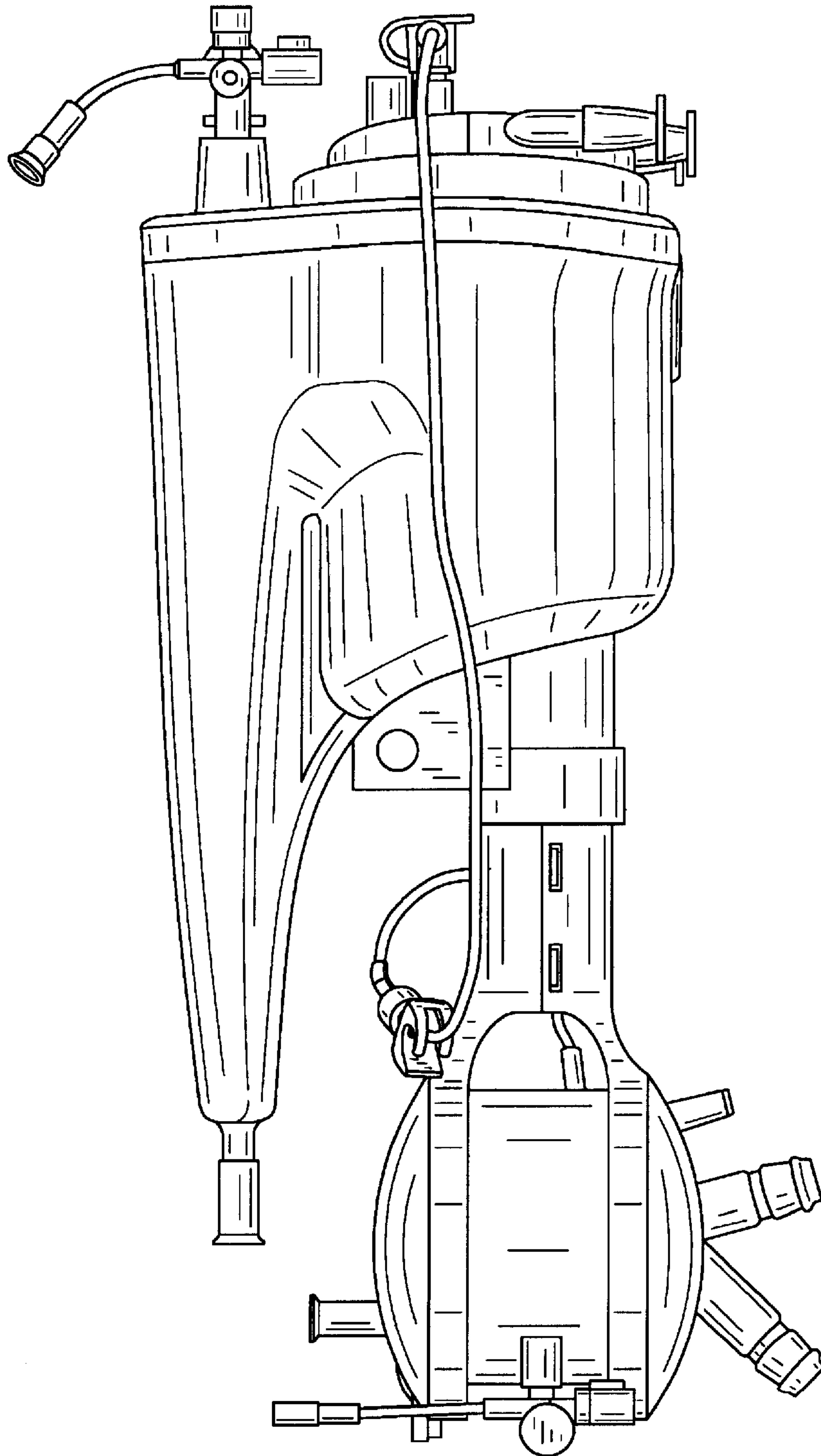


FIG. 7

