



US00D490524S

(12) **United States Design Patent**
Berry et al.

(10) **Patent No.:** **US D490,524 S**
(45) **Date of Patent:** **** May 25, 2004**

(54) **CAPSULE FOR HYPERBARIC TREATMENT**

(75) Inventors: **Norman Michael Berry**, Thornleigh (AU); **Allan Dolph Meyer**, Cherrybrook (AU)

(73) Assignee: **Oxygen Therapy International, Pty LTD**, Queensland (AU)

(**) Term: **14 Years**

(21) Appl. No.: **29/183,600**

(22) Filed: **Jun. 13, 2003**

(30) **Foreign Application Priority Data**

Dec. 13, 2002 (AU) 3968/2002

(51) **LOC (7) Cl.** **24-01**

(52) **U.S. Cl.** **D24/164**

(58) **Field of Search** D24/164; 128/200.24, 128/201.27, 202.12, 204.18, 205.26

(56) **References Cited**

U.S. PATENT DOCUMENTS

D346,864 S * 5/1994 Reneau D24/164

5,327,904 A * 7/1994 Hannum 128/205.26
D401,342 S * 11/1998 Allen D24/164
D415,278 S * 10/1999 Bowman D24/164
6,352,078 B1 * 3/2002 Harvey et al. 128/205.26

* cited by examiner

Primary Examiner—Stella Reid

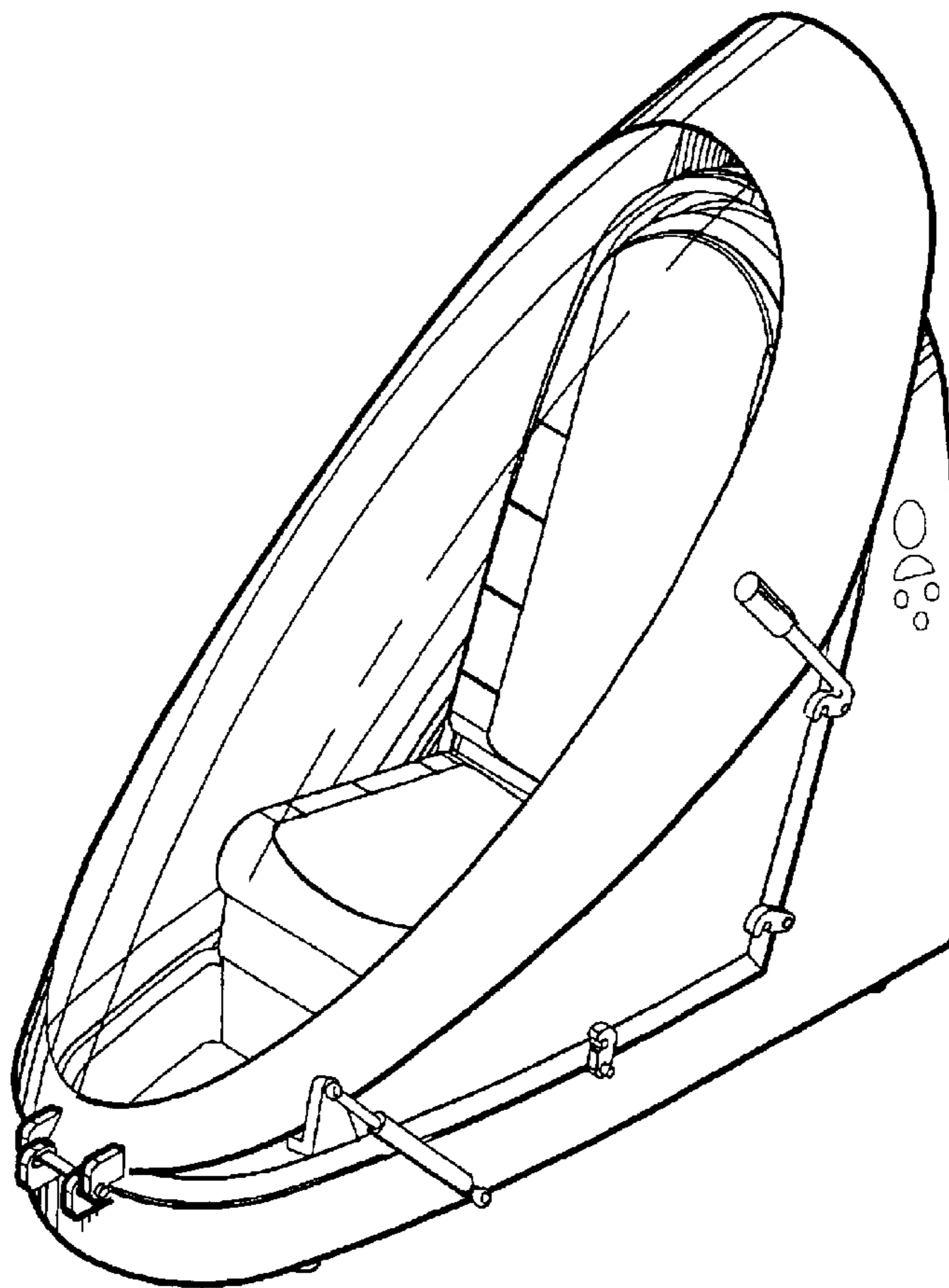
(57) **CLAIM**

The ornamental design for a capsule for hyperbaric treatment, as shown and described.

DESCRIPTION

FIG. 1 is a front perspective view of a capsule for hyperbaric treatment, showing our new design, in closed position; FIG. 2 is a front perspective view thereof, in open position; FIG. 3 is a front elevational view thereof; FIG. 4 is a side elevational view thereof; FIG. 5 is a side elevational view thereof, opposite that shown in FIG. 4; FIG. 6 is a top view thereof; and, FIG. 7 is a rear elevational view thereof.

1 Claim, 7 Drawing Sheets



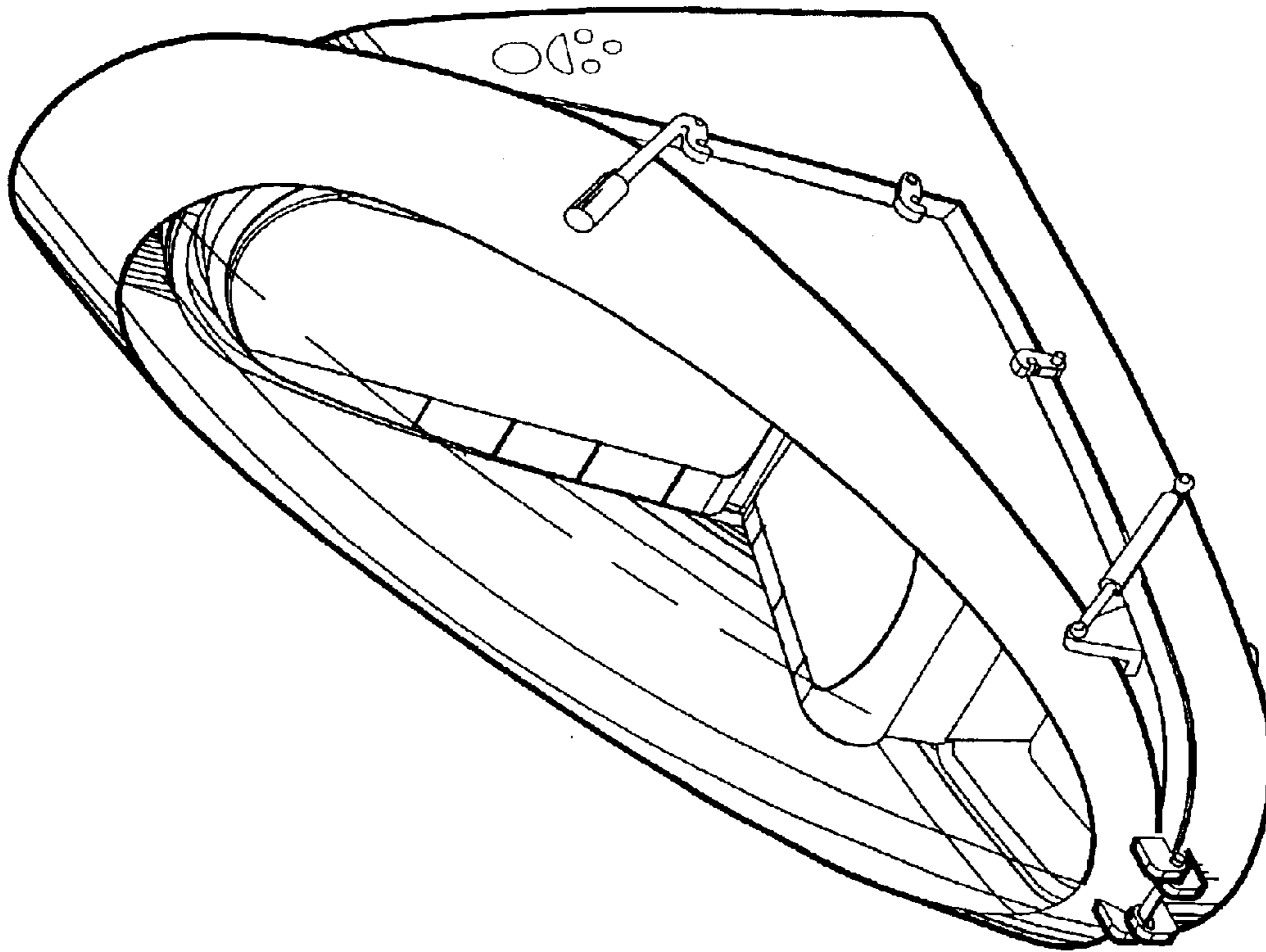


Fig.1

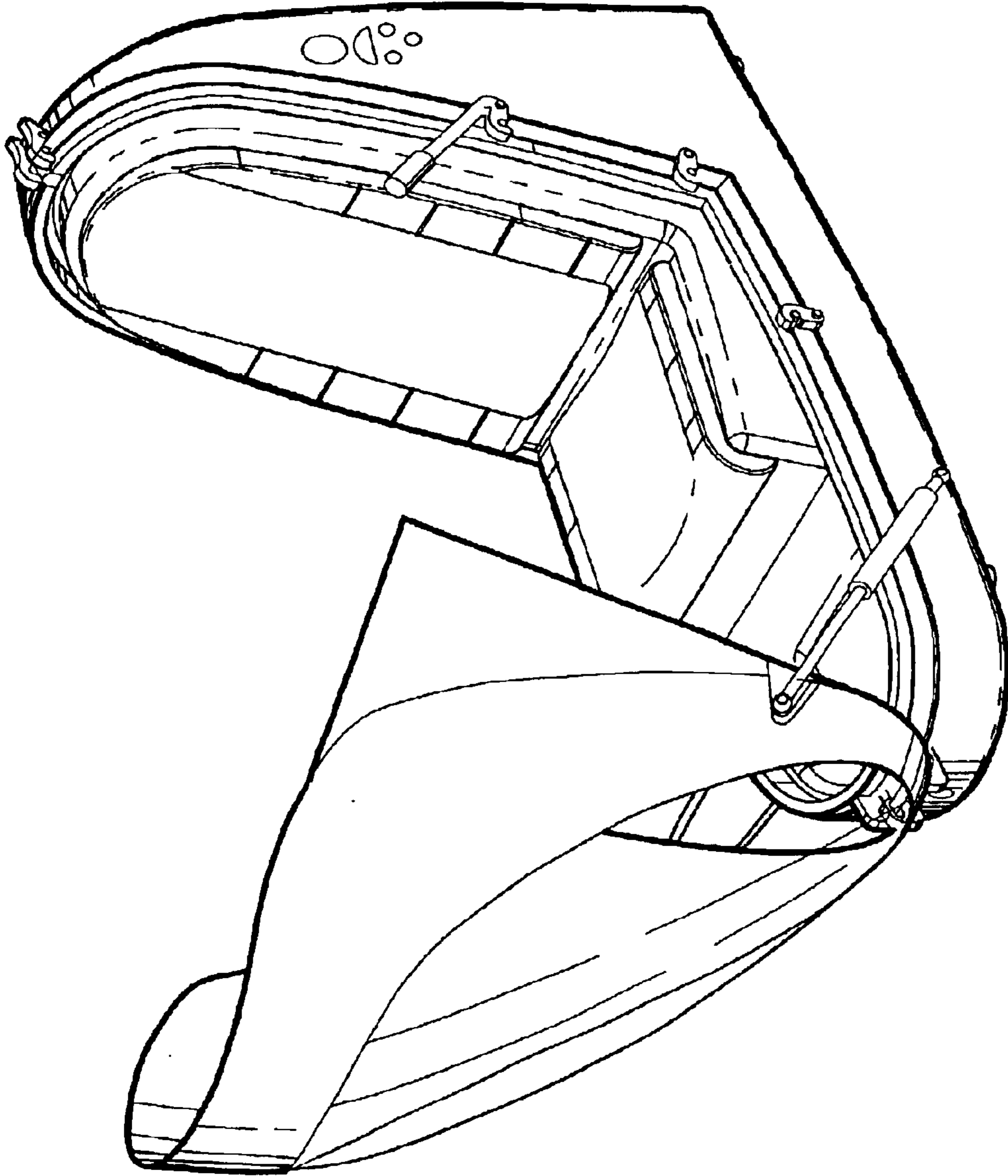


Fig.2

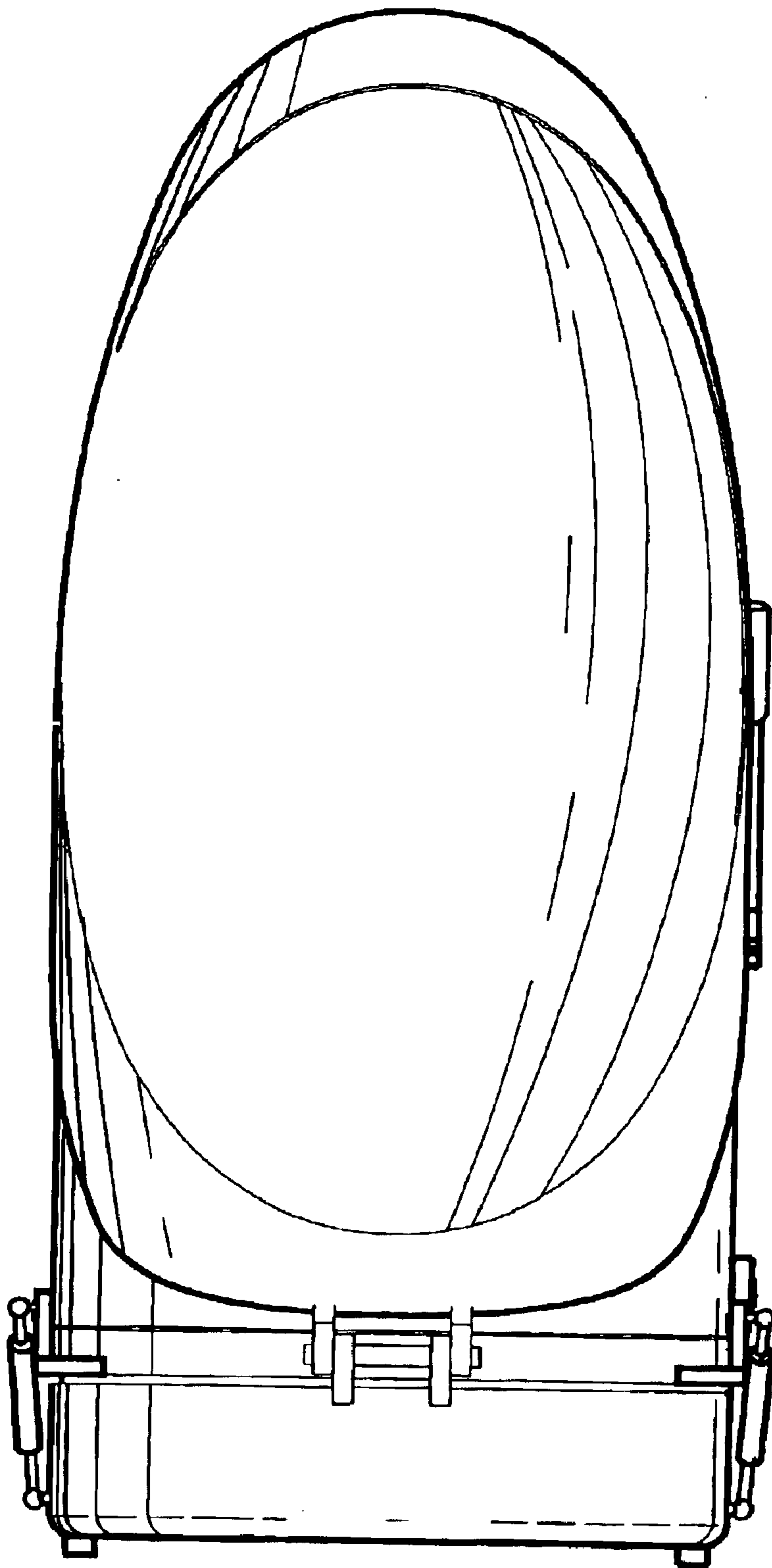


Fig. 3

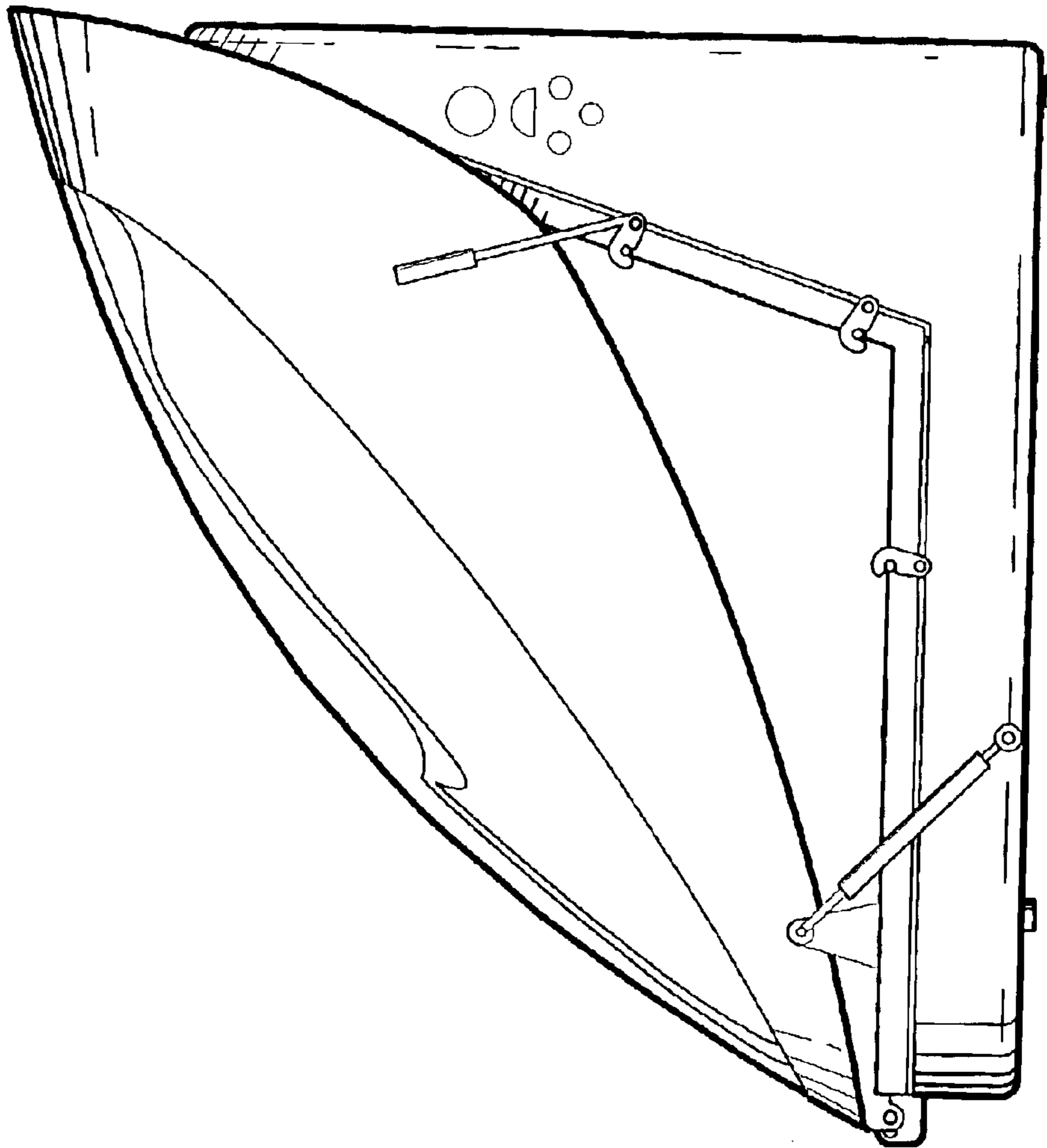


Fig. 4

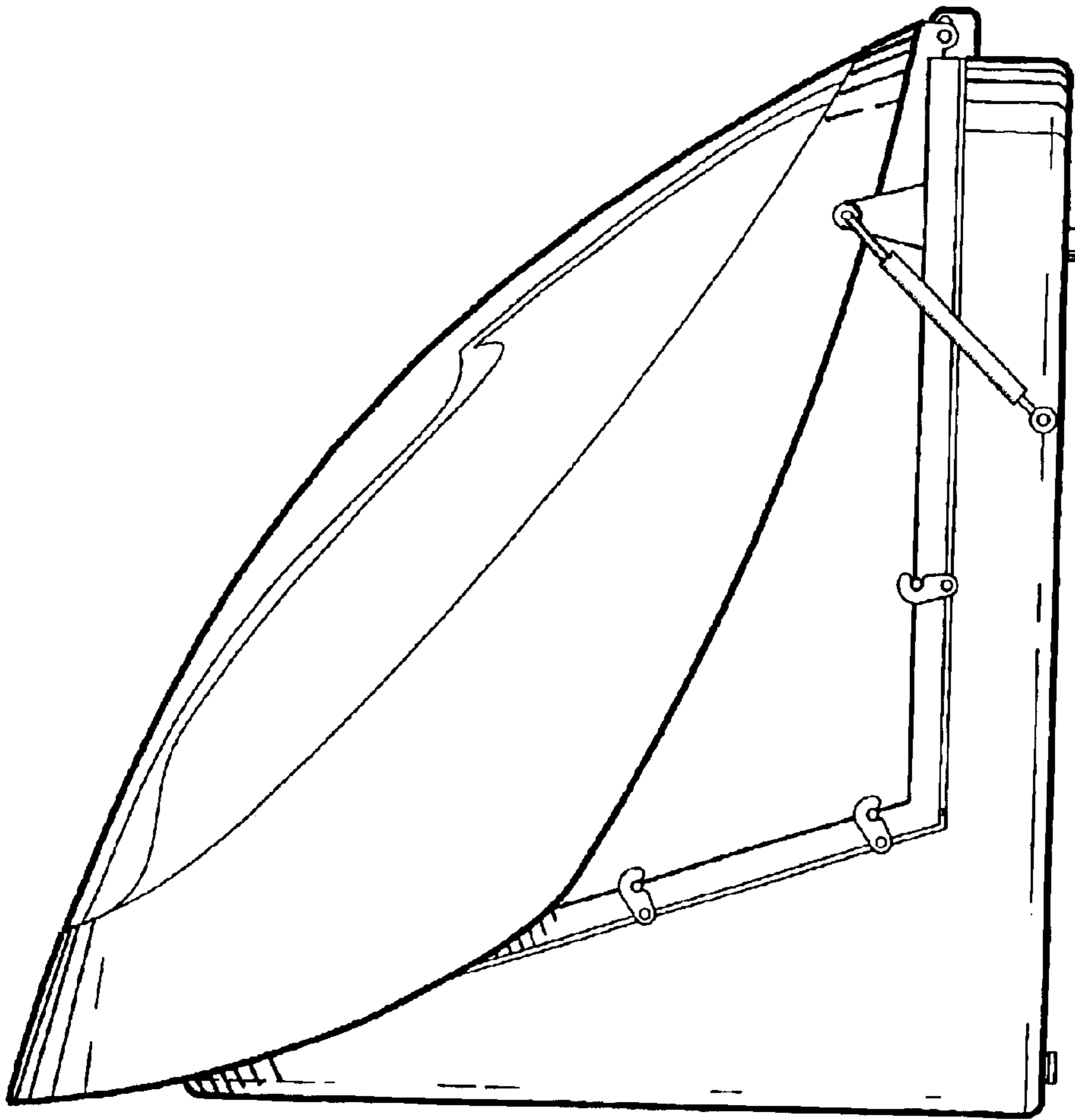


Fig. 5

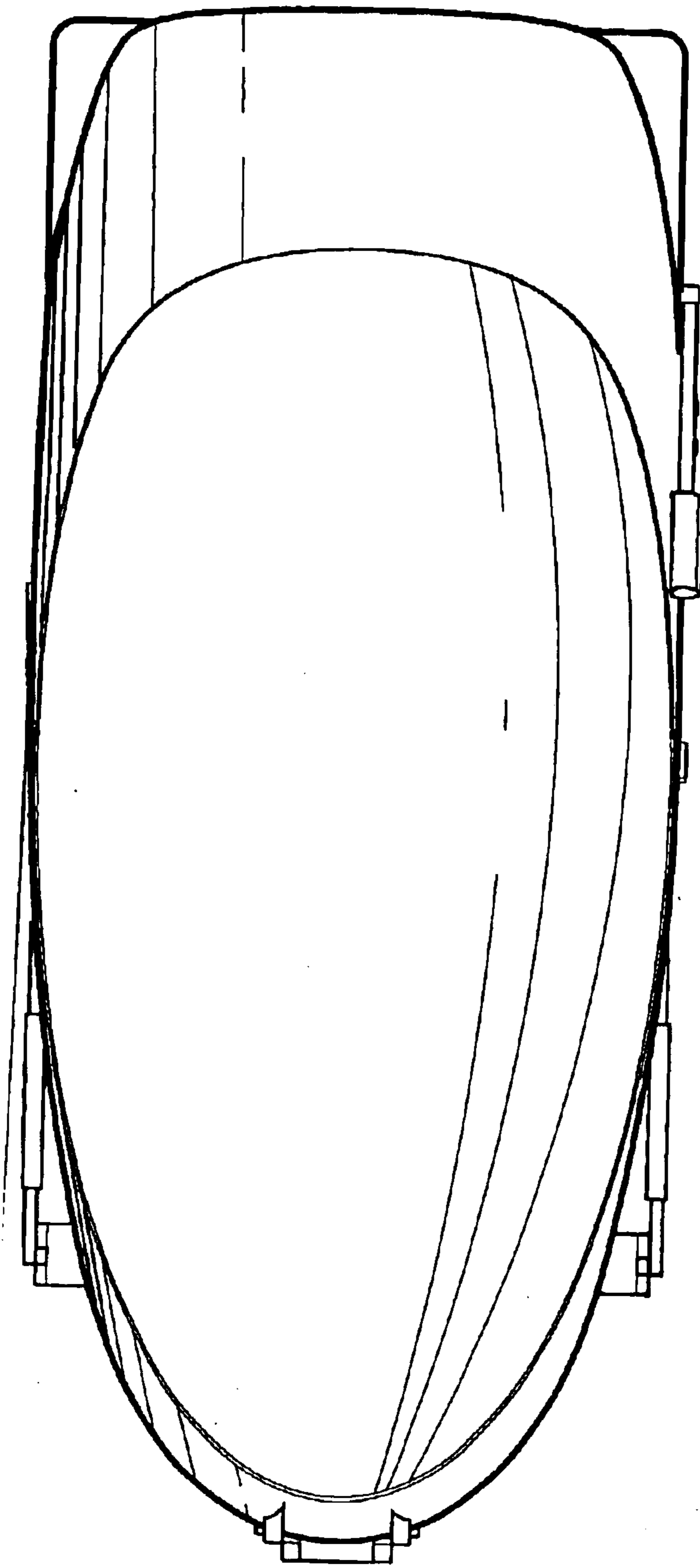


Fig.6

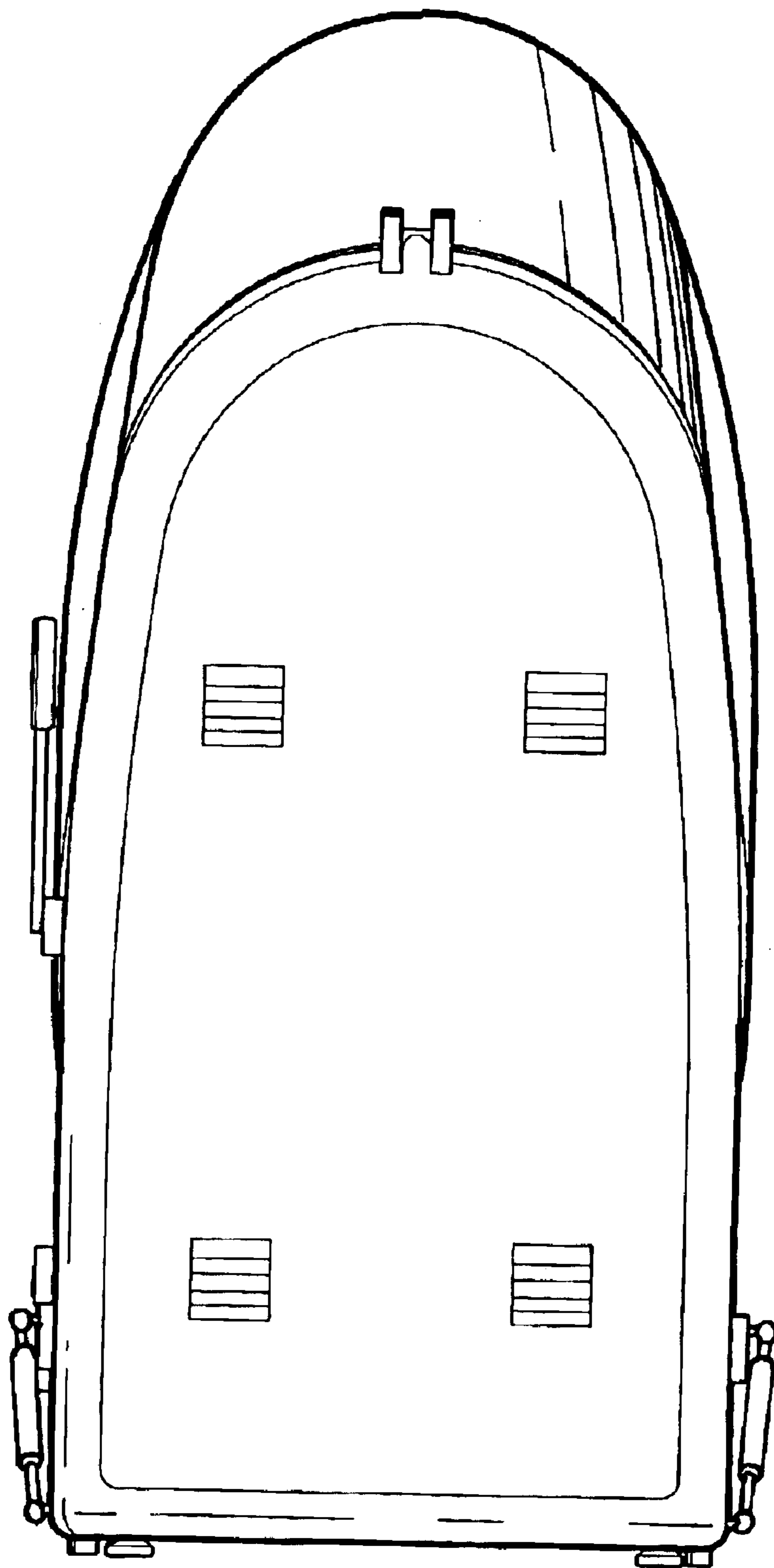


Fig.7