



US00D490523S

(12) **United States Design Patent**  
**Samborski**

(10) **Patent No.:** **US D490,523 S**

(45) **Date of Patent:** **\*\* May 25, 2004**

(54) **EAR-CLEANING TOOL**

(76) **Inventor:** **Krzysztof Samborski**, 6431 Lockwood  
La., Gurnee, IL (US) 60031

(\*\*) **Term:** **14 Years**

(21) **Appl. No.:** **29/176,532**

(22) **Filed:** **Feb. 25, 2003**

(51) **LOC (7) Cl.** ..... **24-02**

(52) **U.S. Cl.** ..... **D24/147; D24/119; D24/133;**  
**D24/141**

(58) **Field of Search** ..... **D24/119, 146,**  
**D24/147, 133, 141; 606/162, 161; 604/1,**  
**2, 3**

(56) **References Cited**

**U.S. PATENT DOCUMENTS**

4,600,008 A \* 7/1986 Schmidt ..... 606/162  
D405,175 S \* 2/1999 Stredic, III ..... D24/119

D414,866 S \* 10/1999 Szabo ..... D24/147  
D423,669 S \* 4/2000 Huttner et al. .... D24/147  
D444,556 S \* 7/2001 Estrem ..... D24/146  
6,270,510 B1 \* 8/2001 Westendorf ..... 606/162

\* cited by examiner

*Primary Examiner*—Ian Simmons

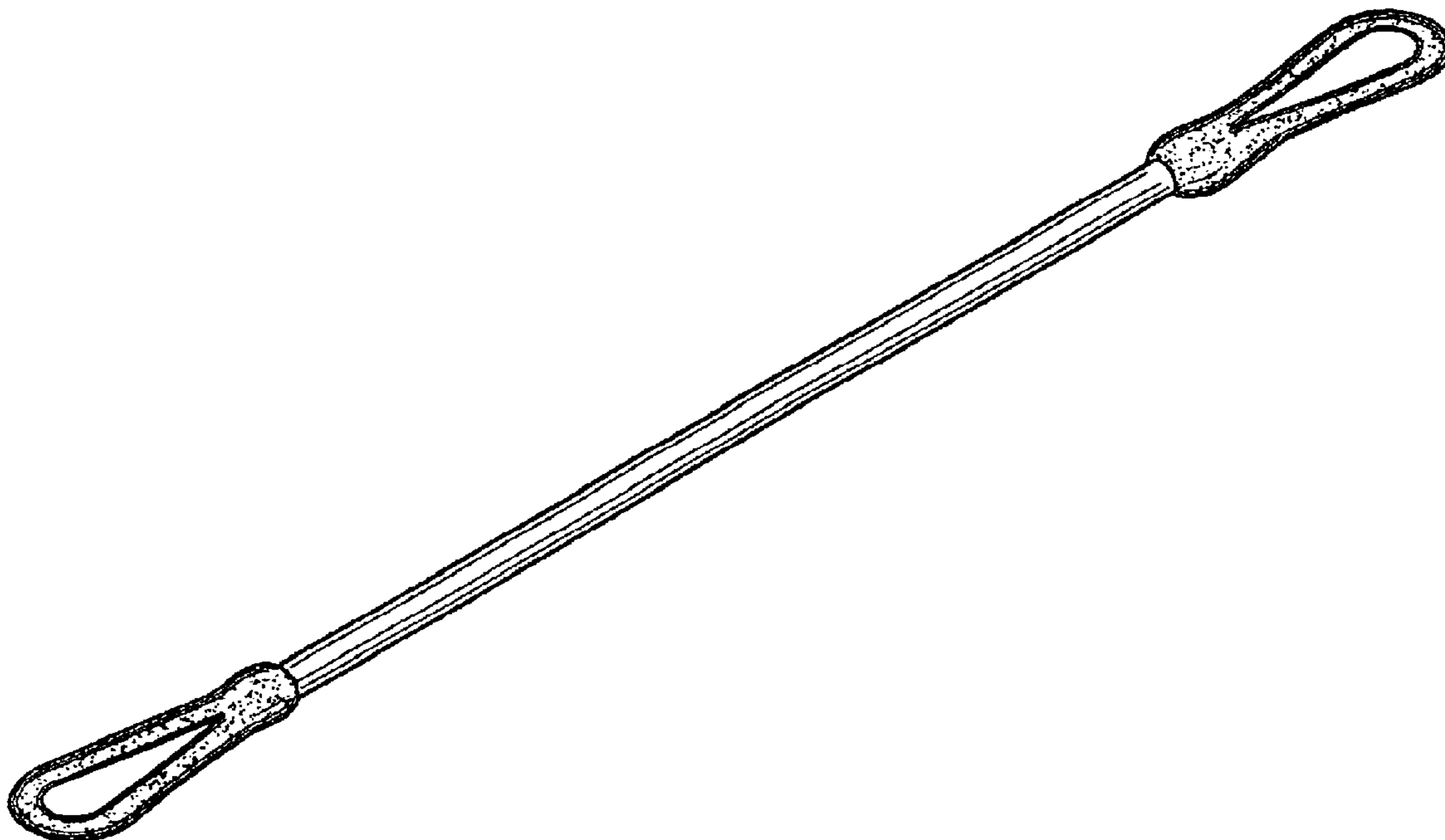
(57) **CLAIM**

The ornamental design for an ear-cleaning tool, as shown and described.

**DESCRIPTION**

FIG. 1 is a front elevated view of an ear-cleaning tool showing my new design;  
FIG. 2 is a rear elevated view of the ear-cleaning tool;  
FIG. 3 is a side elevated view of the ear-cleaning tool;  
FIG. 4 is a top plan view of the ear-cleaning tool; and,  
FIG. 5 is a perspective view of the ear-cleaning tool.

**1 Claim, 2 Drawing Sheets**



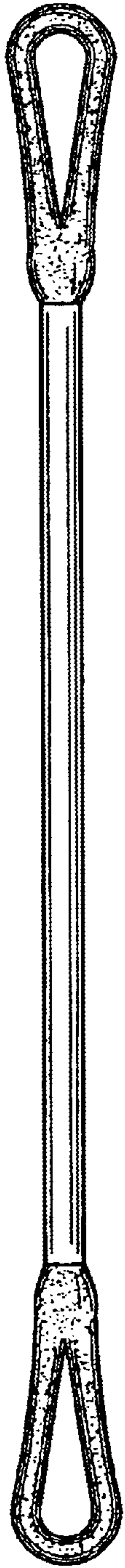


FIG. 1

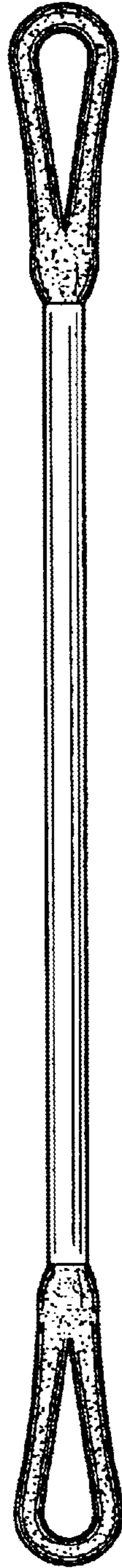


FIG. 2

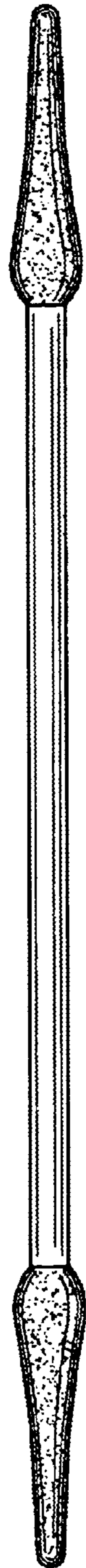


FIG. 3



FIG. 4

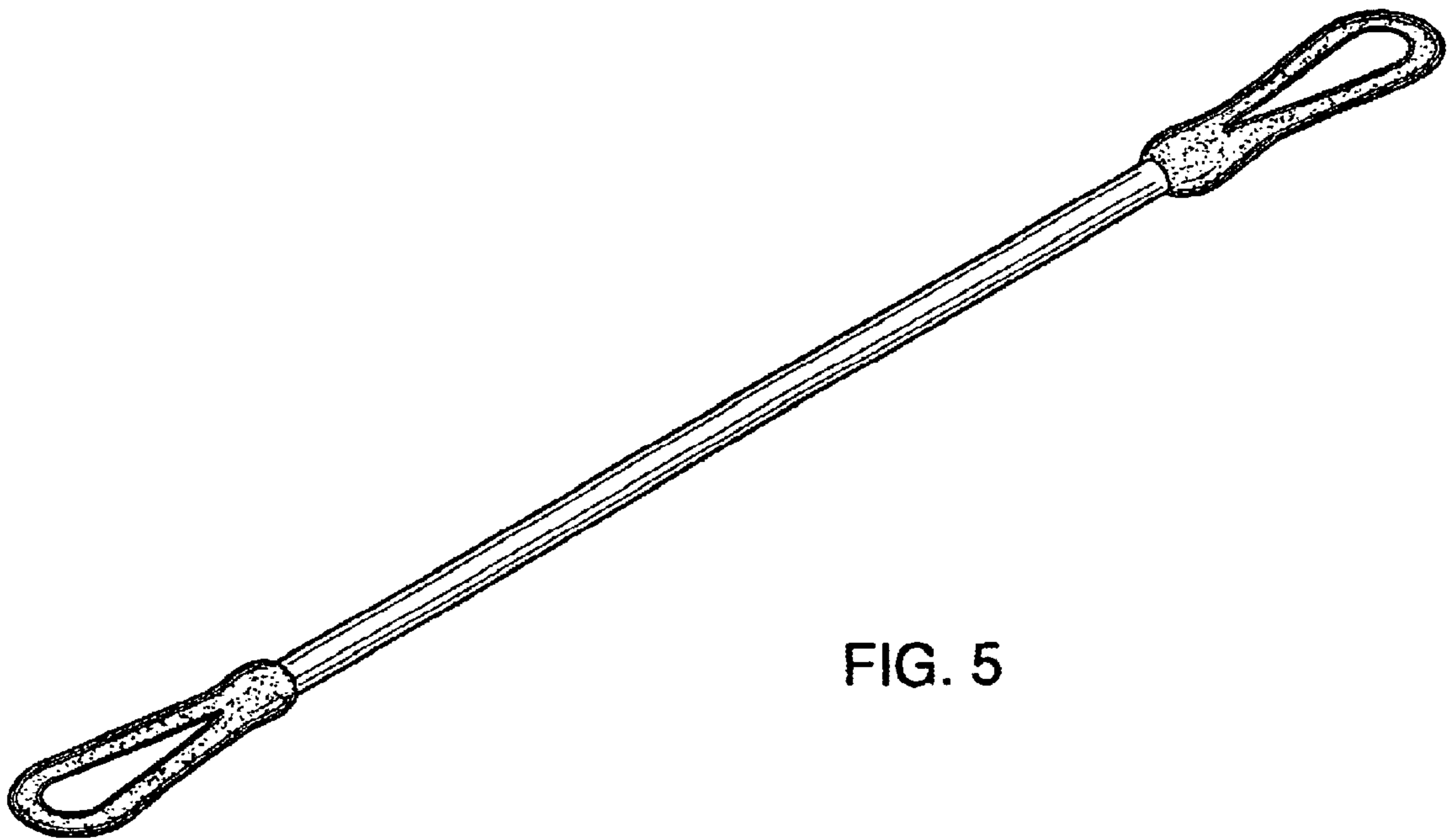


FIG. 5