



US00D490522S

(12) **United States Design Patent**  
**Jansson**

(10) **Patent No.:** **US D490,522 S**

(45) **Date of Patent:** **\*\* May 25, 2004**

(54) **GRINDER**

(75) Inventor: **Torgny Jansson**, Lindesberg (SE)

(73) Assignee: **TJ Utveckling**, Lindesberg (SE)

(\*\*) Term: **14 Years**

(21) Appl. No.: **29/171,699**

(22) Filed: **Nov. 27, 2002**

(51) **LOC (7) Cl.** ..... **15-09**

(52) **U.S. Cl.** ..... **D24/124**

(58) **Field of Search** ..... D15/124; 241/73,  
241/243, 280; 451/72, 259-262

(56) **References Cited**

**U.S. PATENT DOCUMENTS**

D447,155 S \* 8/2001 Lin Ku ..... D15/124  
6,305,623 B1 \* 10/2001 Sotsky et al. .... 241/73

\* cited by examiner

*Primary Examiner*—Antoine Duval Davis

(74) *Attorney, Agent, or Firm*—Renner, Otto, Boisselle & Sklar, LLP

(57) **CLAIM**

The ornamental design for a grinder, as shown and described.

**DESCRIPTION**

FIG. 1 is a perspective view of a grinder showing the top,

front and right sides of our new design, with a support member shown in a first position thereof;

FIG. 2 is a perspective view of the grinder showing the top, rear and left sides thereof;

FIG. 3 is a right side elevational view of the grinder;

FIG. 4 is left side elevational view of the grinder;

FIG. 5 is a rear elevational view of the grinder;

FIG. 6 is a front elevational view of the grinder;

FIG. 7 is a top plan view of the grinder;

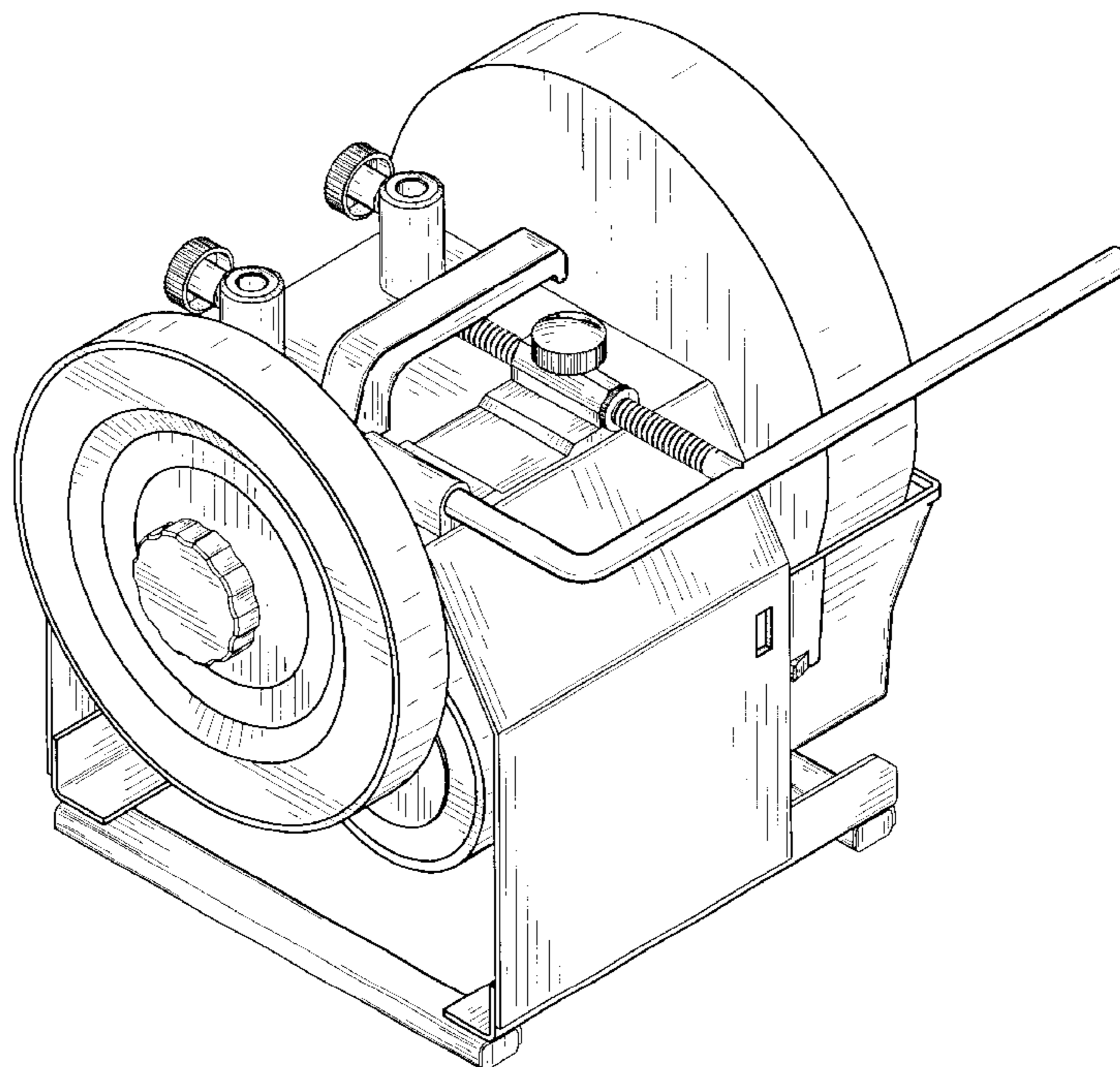
FIG. 8 is a perspective view of the grinder showing the top, front and right sides of our new design, with the support member shown in a second position thereof; and,

FIG. 9 is a perspective view of the grinder showing the top, front and right sides of our new design, with the support member shown in a third position thereof.

The bottom of the grinder is plain and unornamented.

The novelty of the design primarily resides in the housing, particularly the front thereof, the universal support and the horizontal base.

**1 Claim, 5 Drawing Sheets**



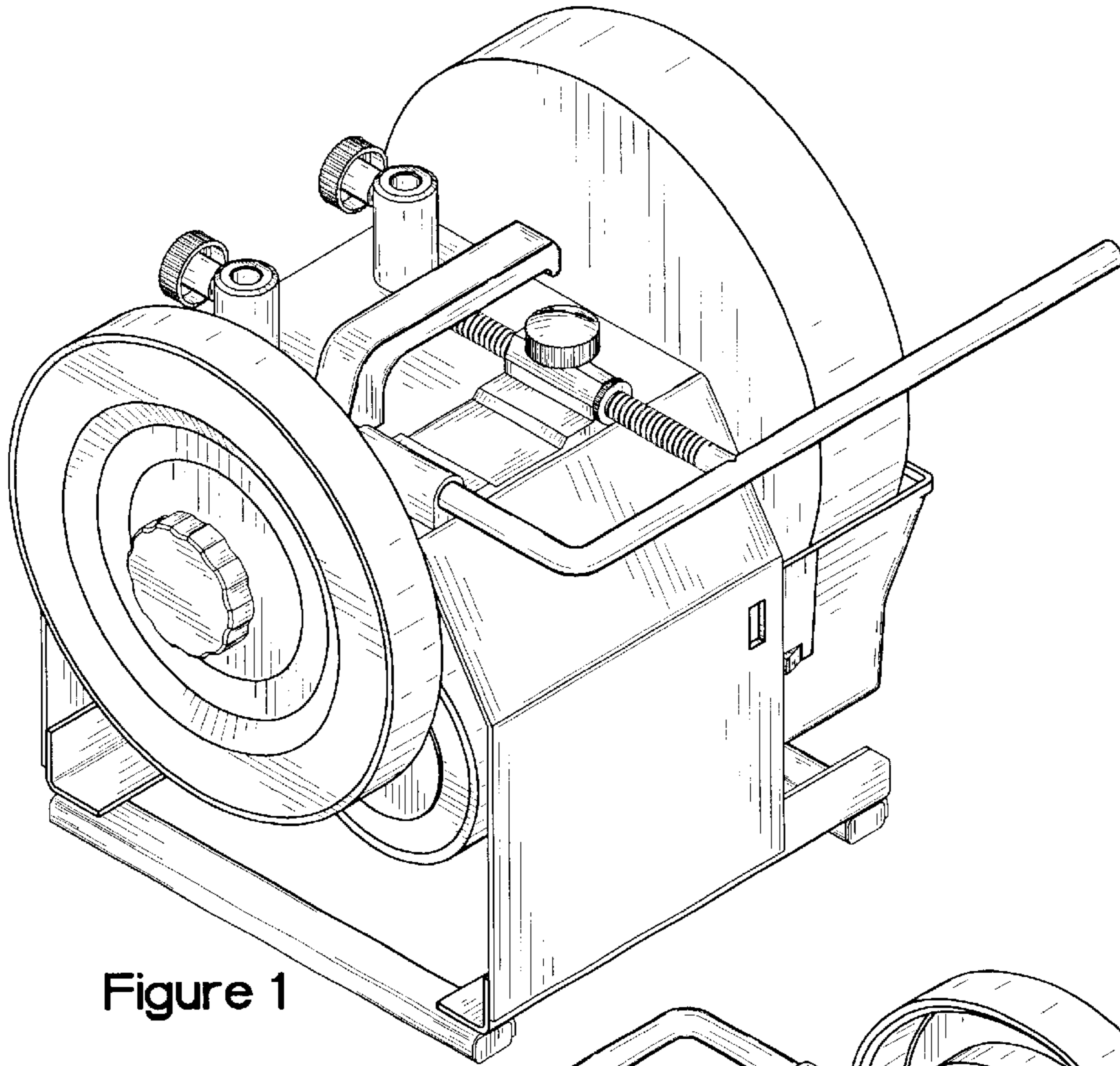


Figure 1

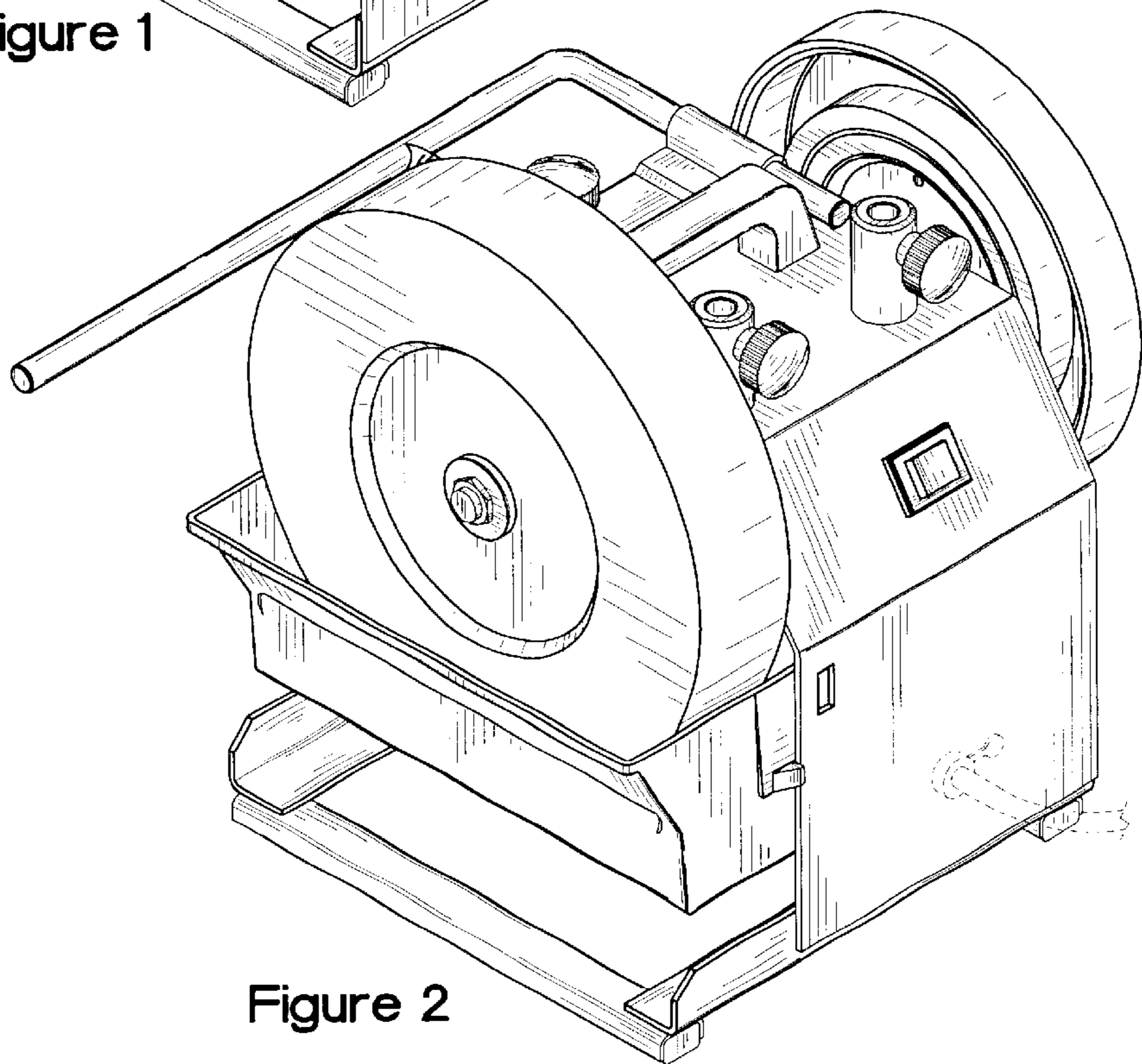


Figure 2

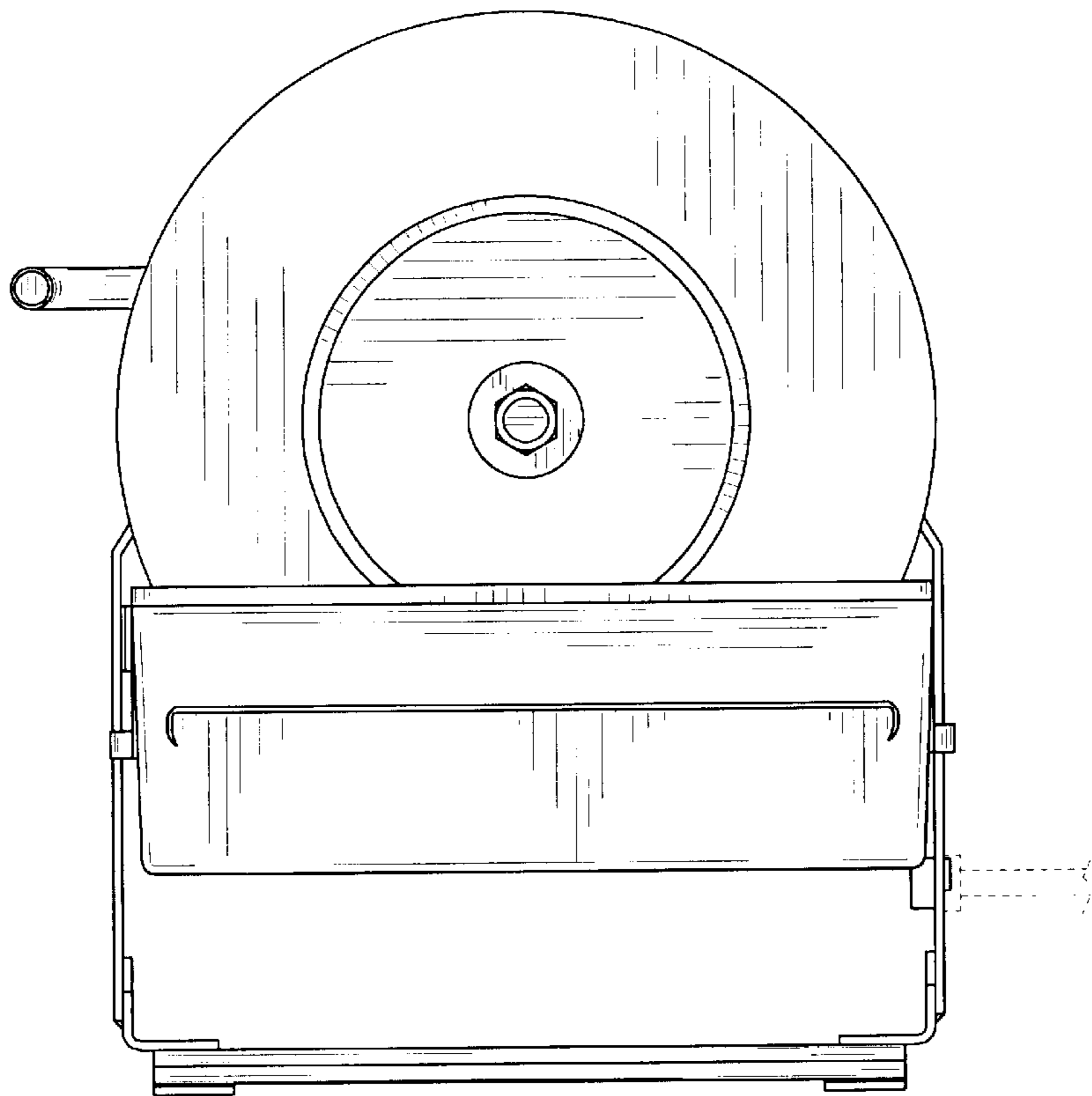


Figure 3

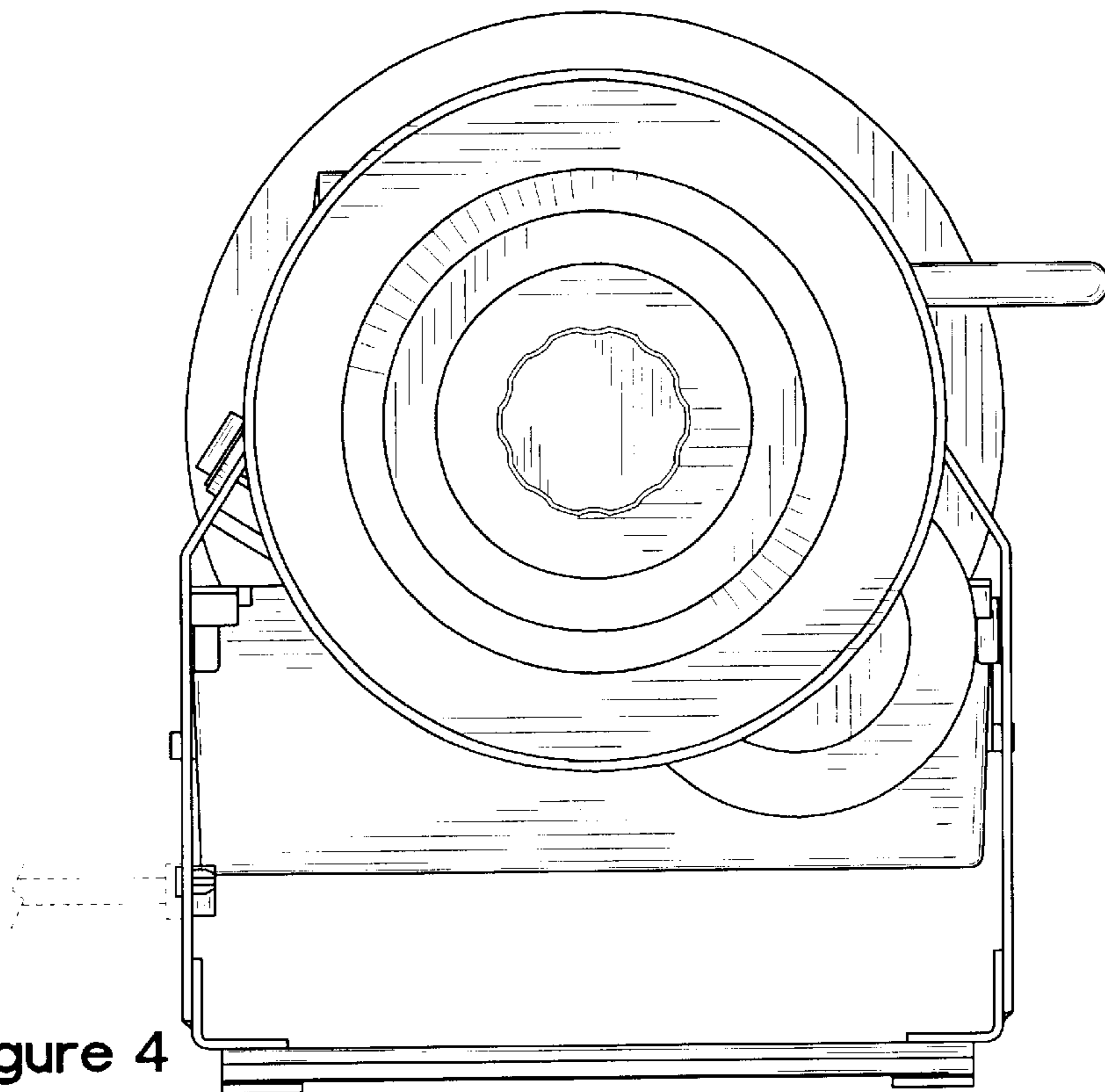


Figure 4

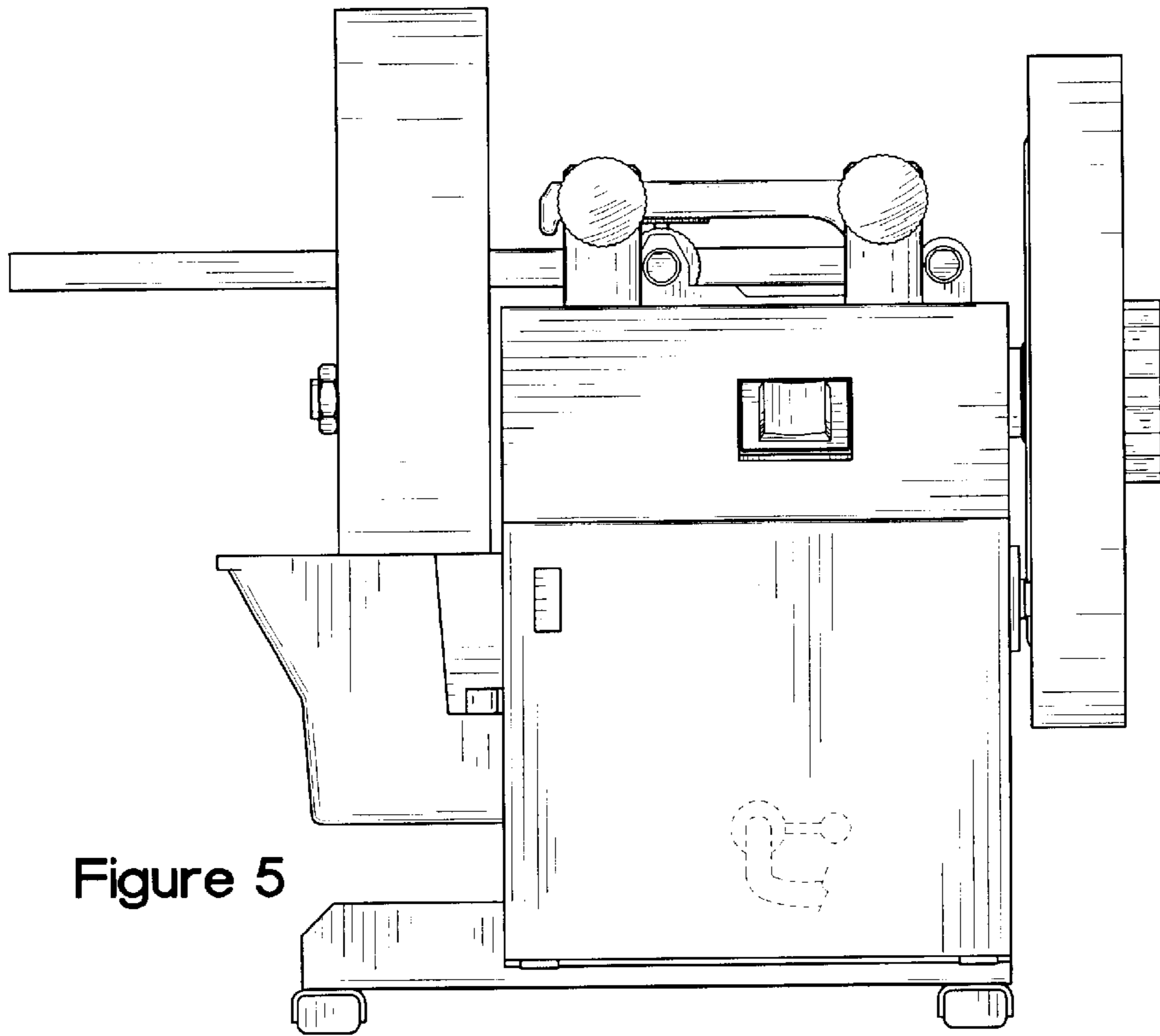


Figure 5

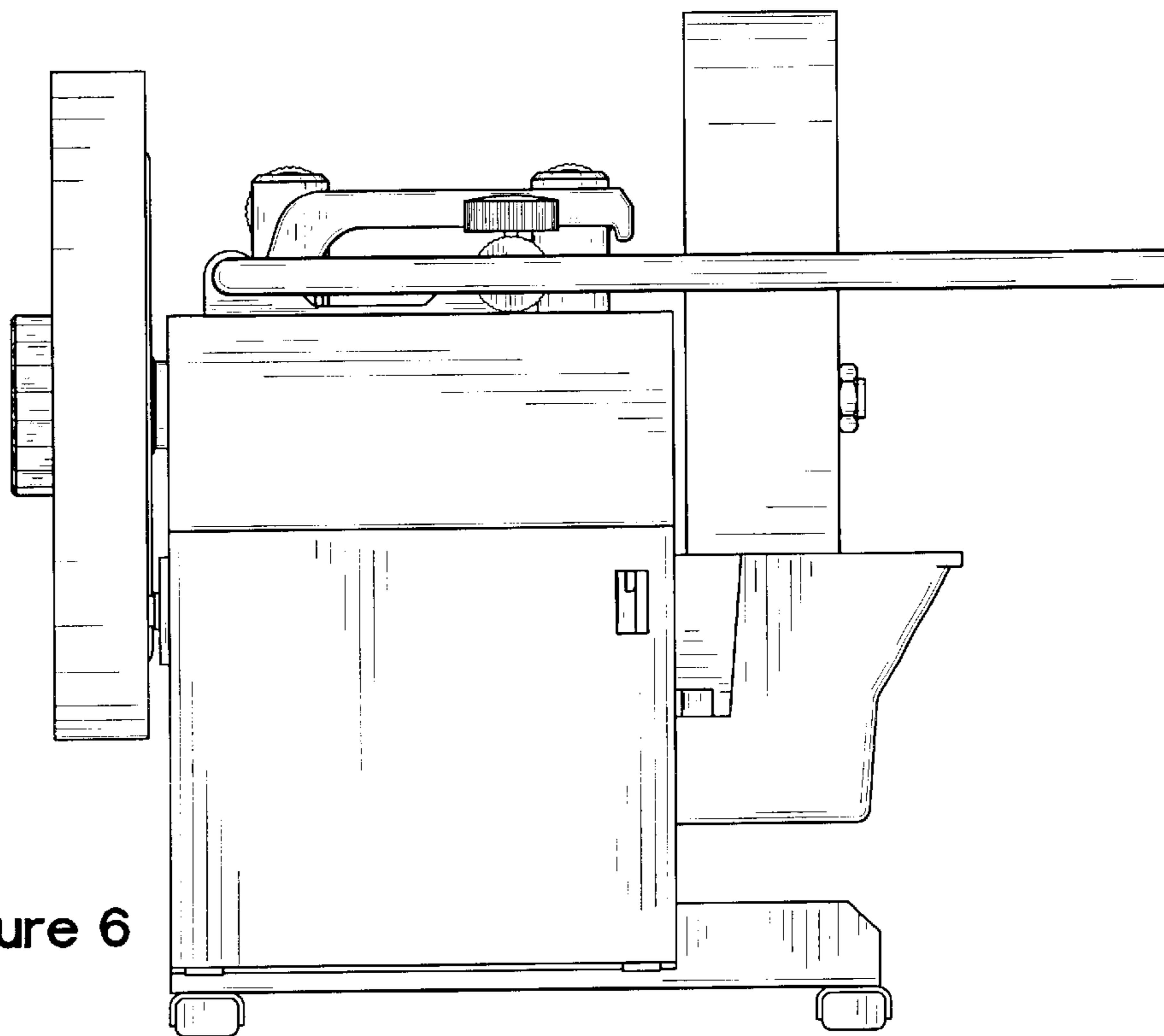


Figure 6

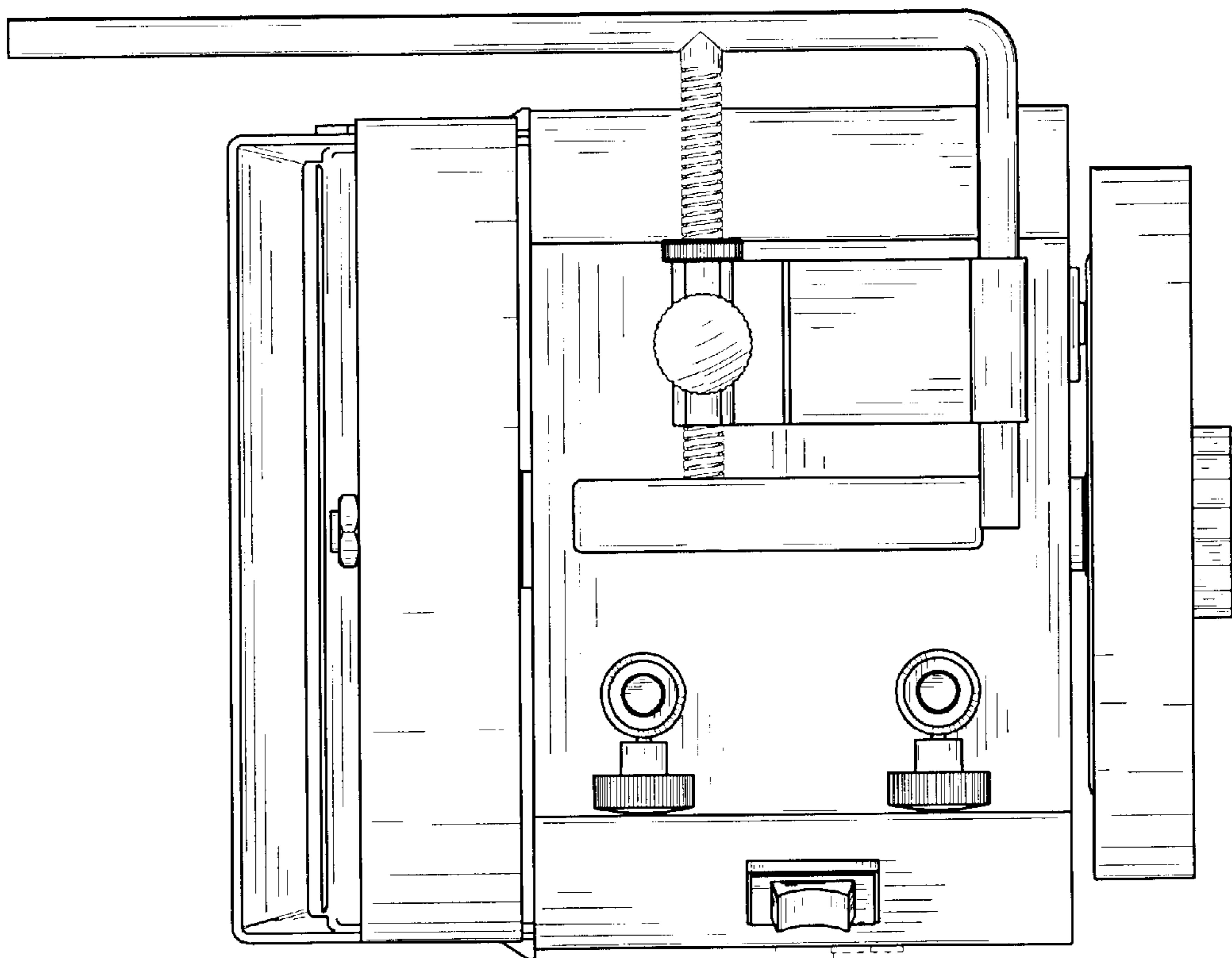


Figure 7

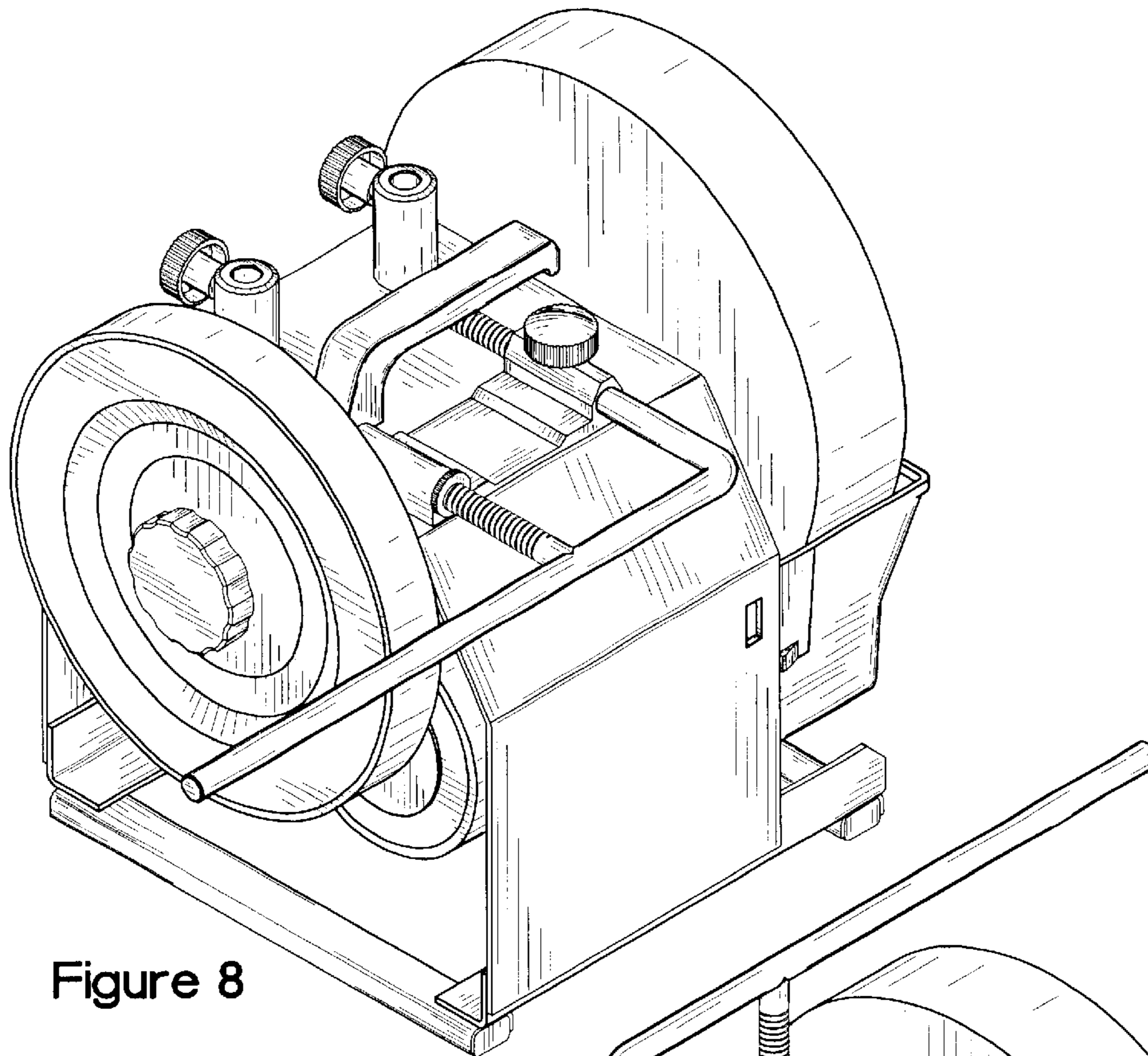


Figure 8

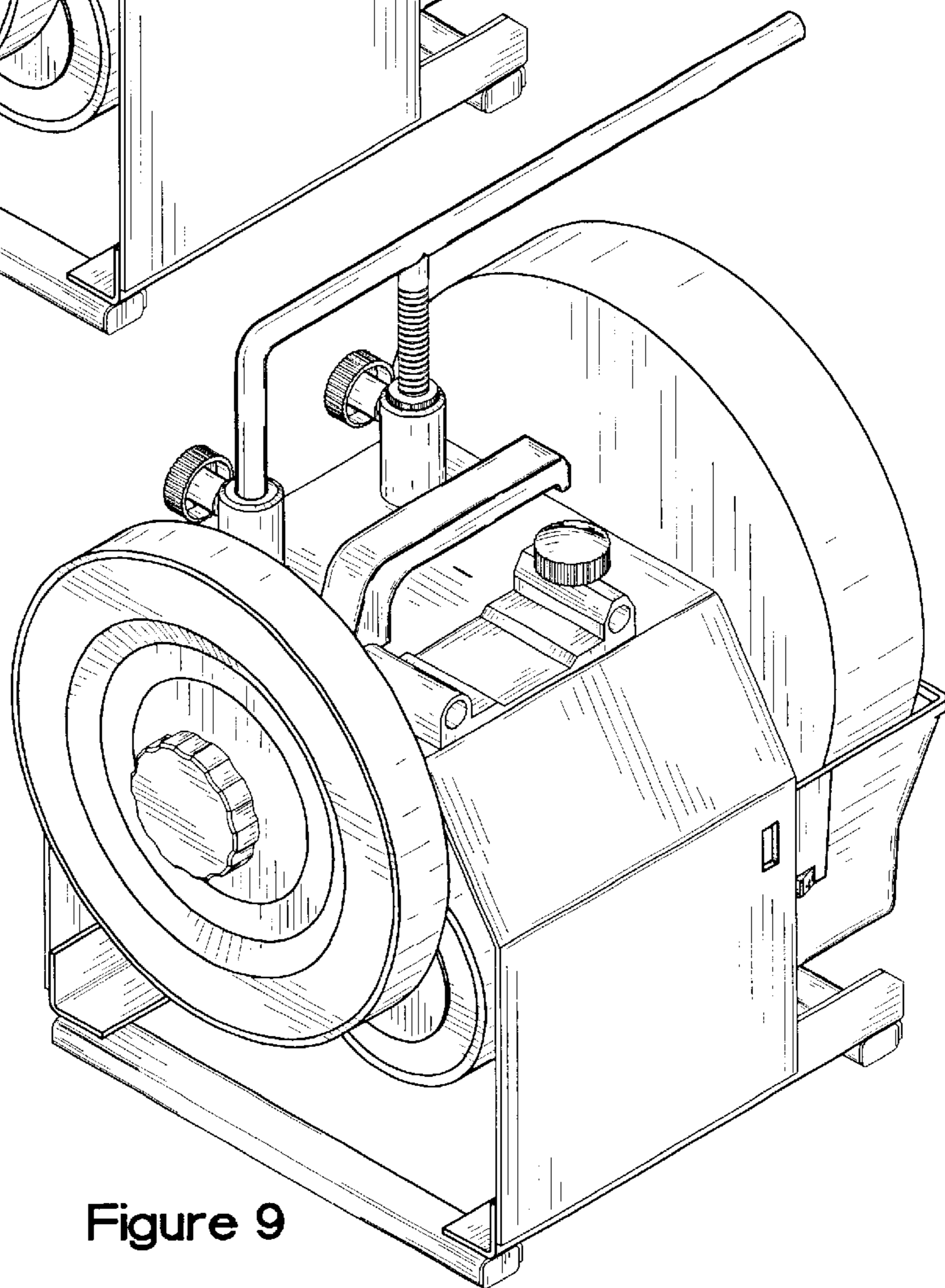


Figure 9

UNITED STATES PATENT AND TRADEMARK OFFICE  
**CERTIFICATE OF CORRECTION**

PATENT NO. : Des. 490,522 S  
APPLICATION NO. : 29/171699  
DATED : May 25, 2004  
INVENTOR(S) : Torgny Jansson

Page 1 of 1

It is certified that error appears in the above-identified patent and that said Letters Patent is hereby corrected as shown below:

on the title page item (73) Assignee: TJ Utveckling AB, Lindesberg (SE)

Signed and Sealed this

Twenty-second Day of August, 2006

A handwritten signature in black ink on a light gray dotted background. The signature reads "Jon W. Dudas" in a cursive style.

JON W. DUDAS

*Director of the United States Patent and Trademark Office*