



US00D490516S

(12) **United States Design Patent**
Takahashi et al.

(10) **Patent No.:** **US D490,516 S**

(45) **Date of Patent:** **** May 25, 2004**

(54) **MEDICAL INFORMATION
COMMUNICATION APPARATUS**

(75) Inventors: **Kazuya Takahashi**, Osaka (JP);
Muneyuki Nagai, Ibaraki (JP)

(73) Assignee: **Matsushita Electric Industrial Co.,
Ltd.**, Osaka (JP)

(**) Term: **14 Years**

(21) Appl. No.: **29/176,180**

(22) Filed: **Feb. 18, 2003**

(30) **Foreign Application Priority Data**

Dec. 13, 2002 (JP) 2002-034693

(51) **LOC (7) Cl.** **24-01**

(52) **U.S. Cl.** **D24/107; D24/186**

(58) **Field of Search** D24/107, 186,
D24/232; 600/306, 301, 483, 508; 128/903,
904

(56) **References Cited**

U.S. PATENT DOCUMENTS

5,024,225 A * 6/1991 Fang 600/301
D354,741 S * 1/1995 Hutcheson D14/339

D358,583 S * 5/1995 Winkler D14/324
5,553,609 A * 9/1996 Chen et al. 600/301
D385,881 S * 11/1997 Bressler et al. D24/186
D400,673 S * 11/1998 Kheiri et al. D24/107

FOREIGN PATENT DOCUMENTS

JP D1107948 5/2001

* cited by examiner

Primary Examiner—Stella Reid

(74) *Attorney, Agent, or Firm*—Brinks Hofer Gilson &
Lione

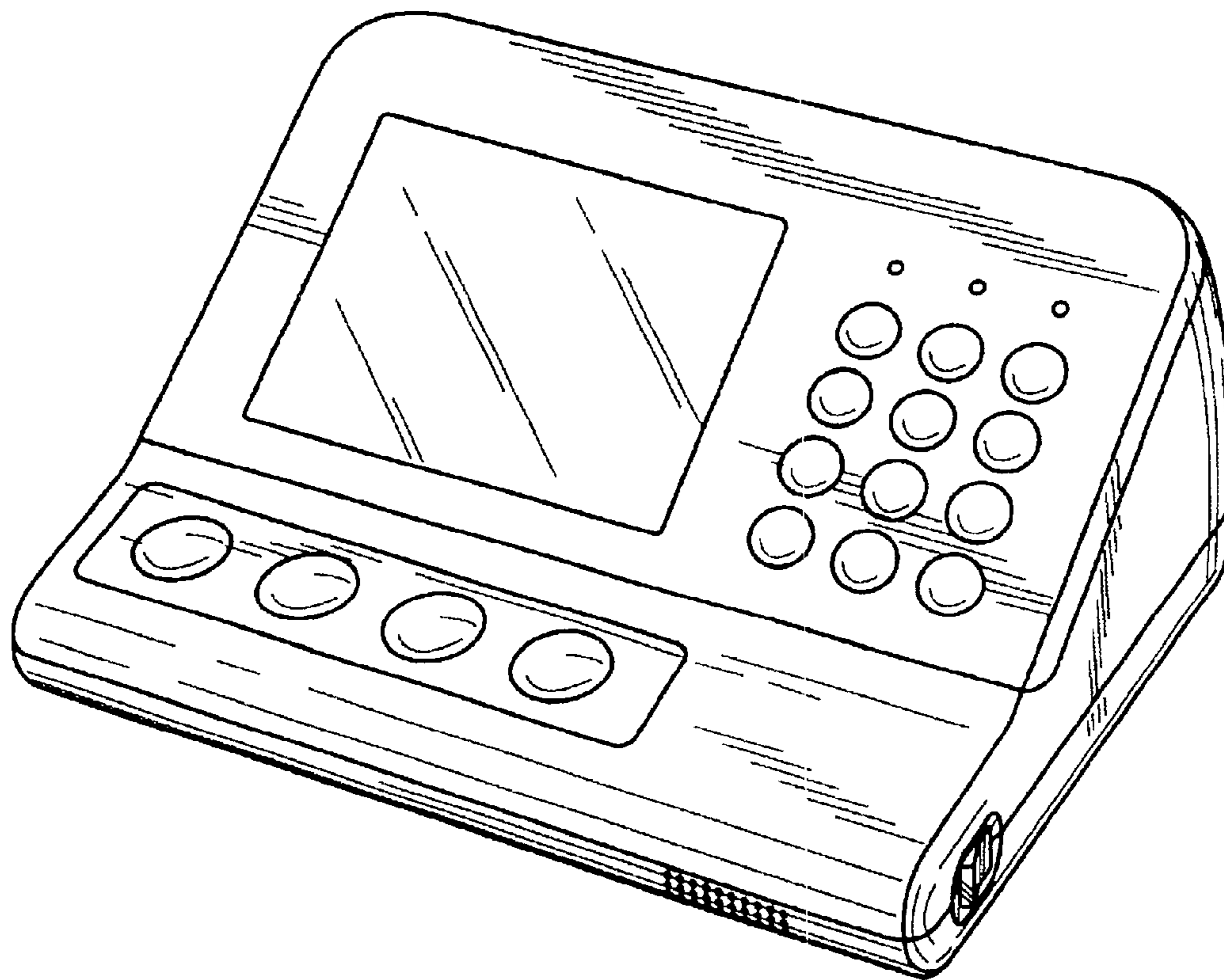
(57) **CLAIM**

The ornamental design for a medical information commu-
nication apparatus, as shown and described.

DESCRIPTION

FIG. 1 is a top perspective view of a medical information
communication apparatus of the present invention;
FIG. 2 is a front view thereof;
FIG. 3 is a rear view thereof;
FIG. 4 is a side view thereof;
FIG. 5 is a side view thereof, opposite that shown in FIG. 4;
FIG. 6 is a top view thereof; and,
FIG. 7 is a bottom view thereof.

1 Claim, 4 Drawing Sheets



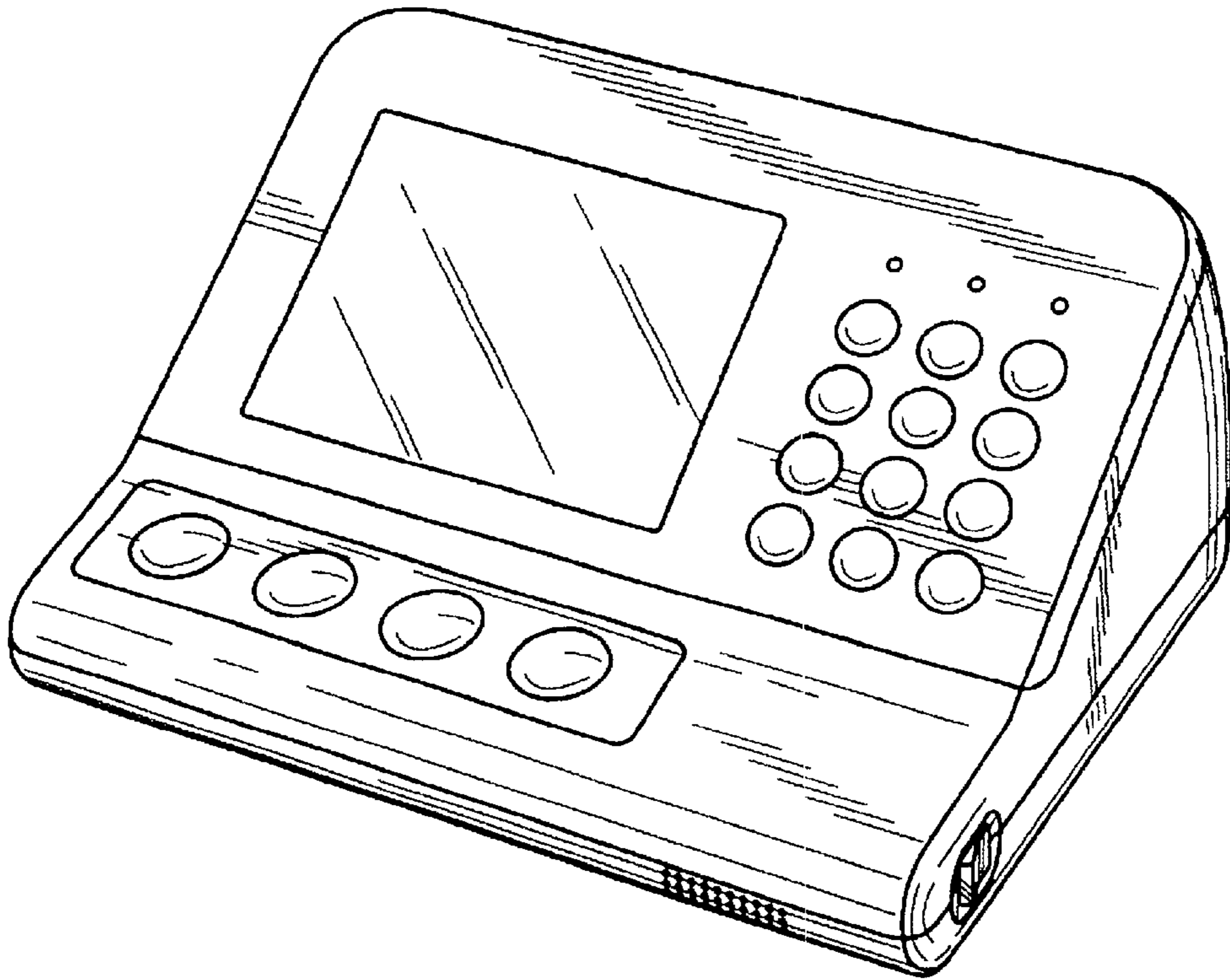


FIG. 1

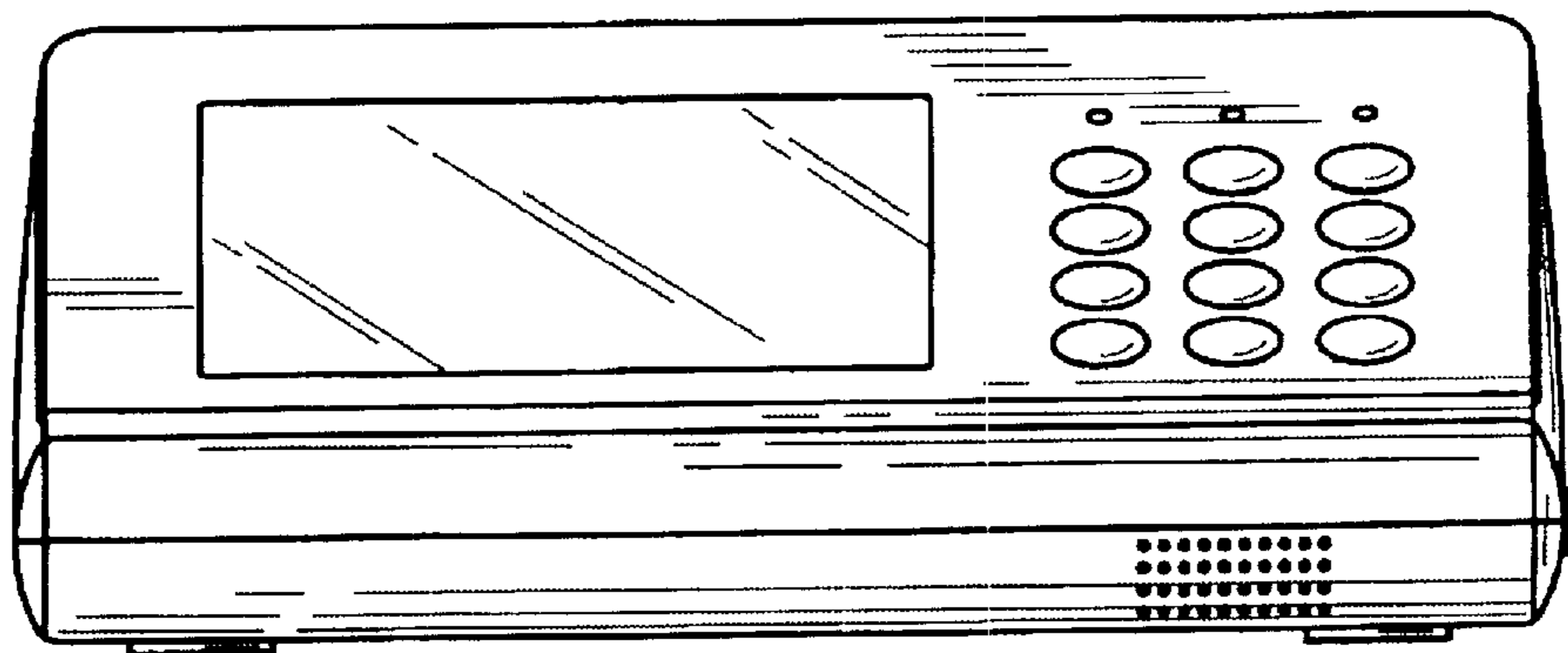


FIG. 2

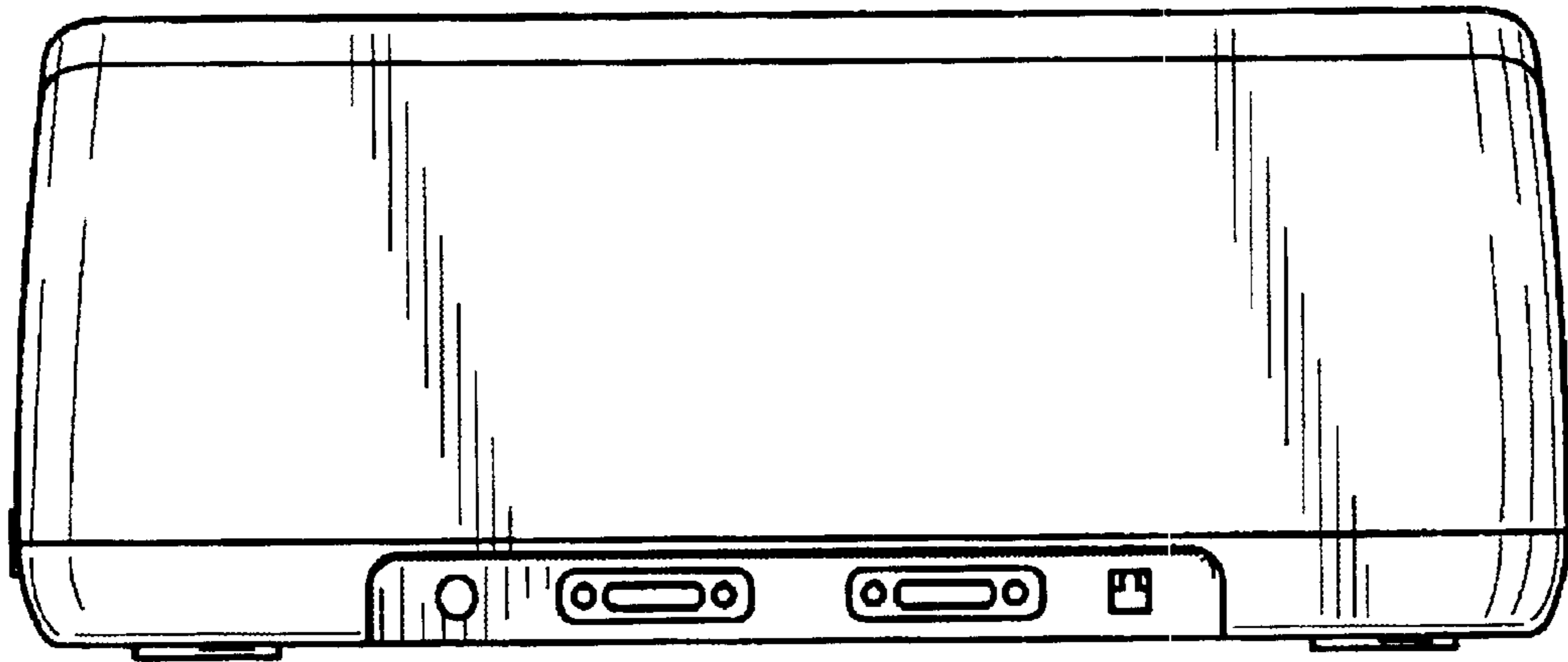


FIG. 3

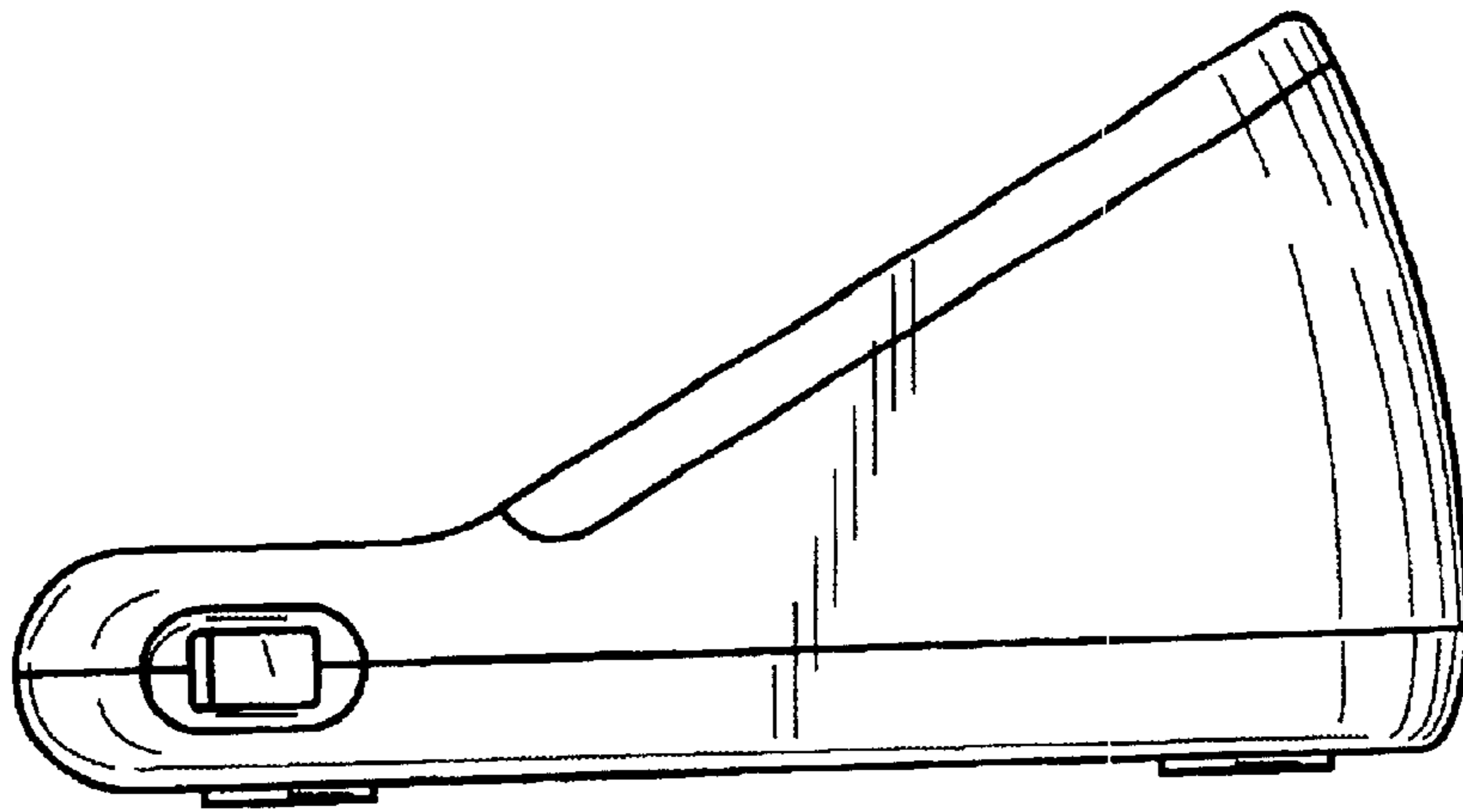


FIG. 4

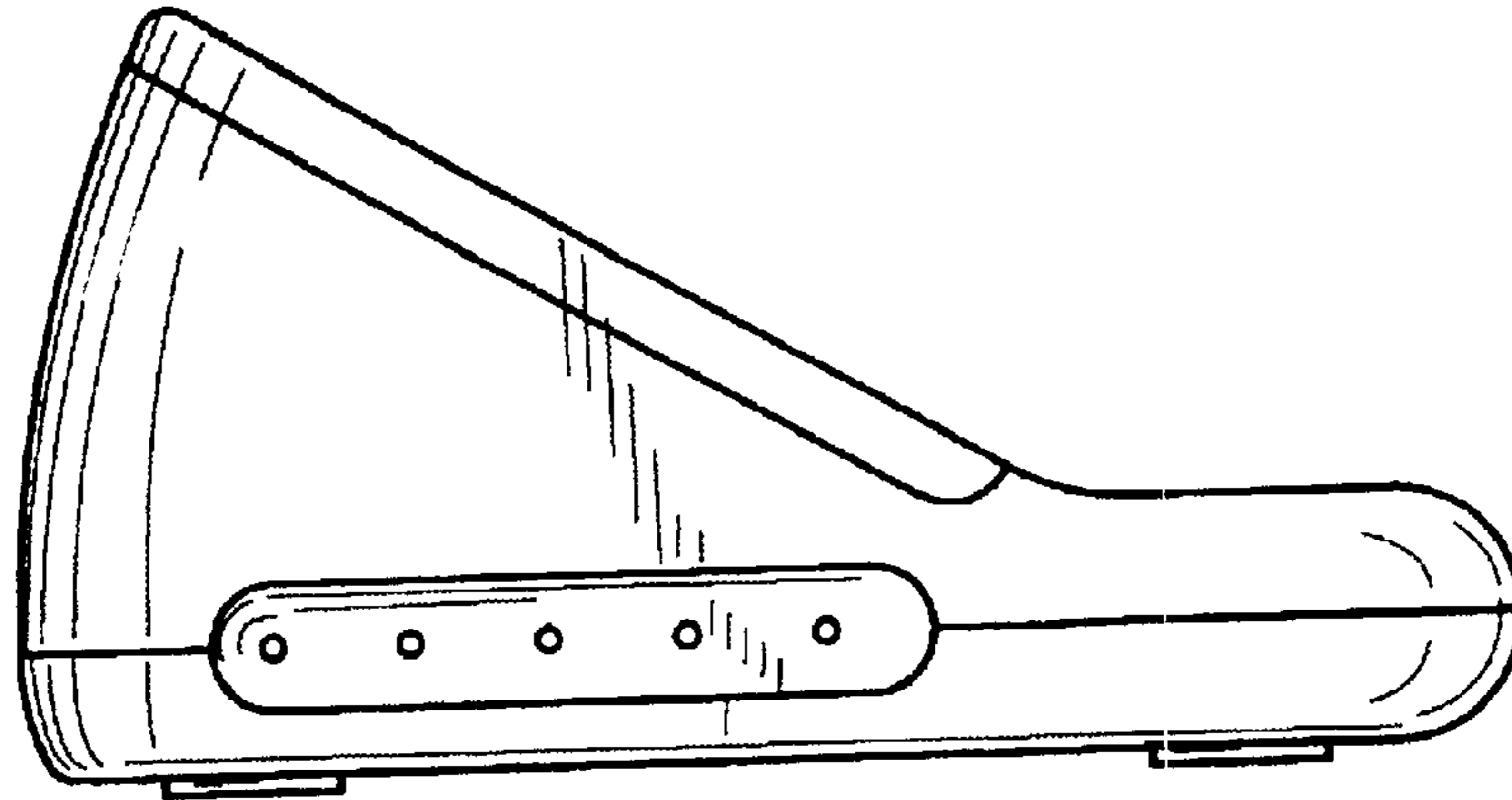


FIG. 5

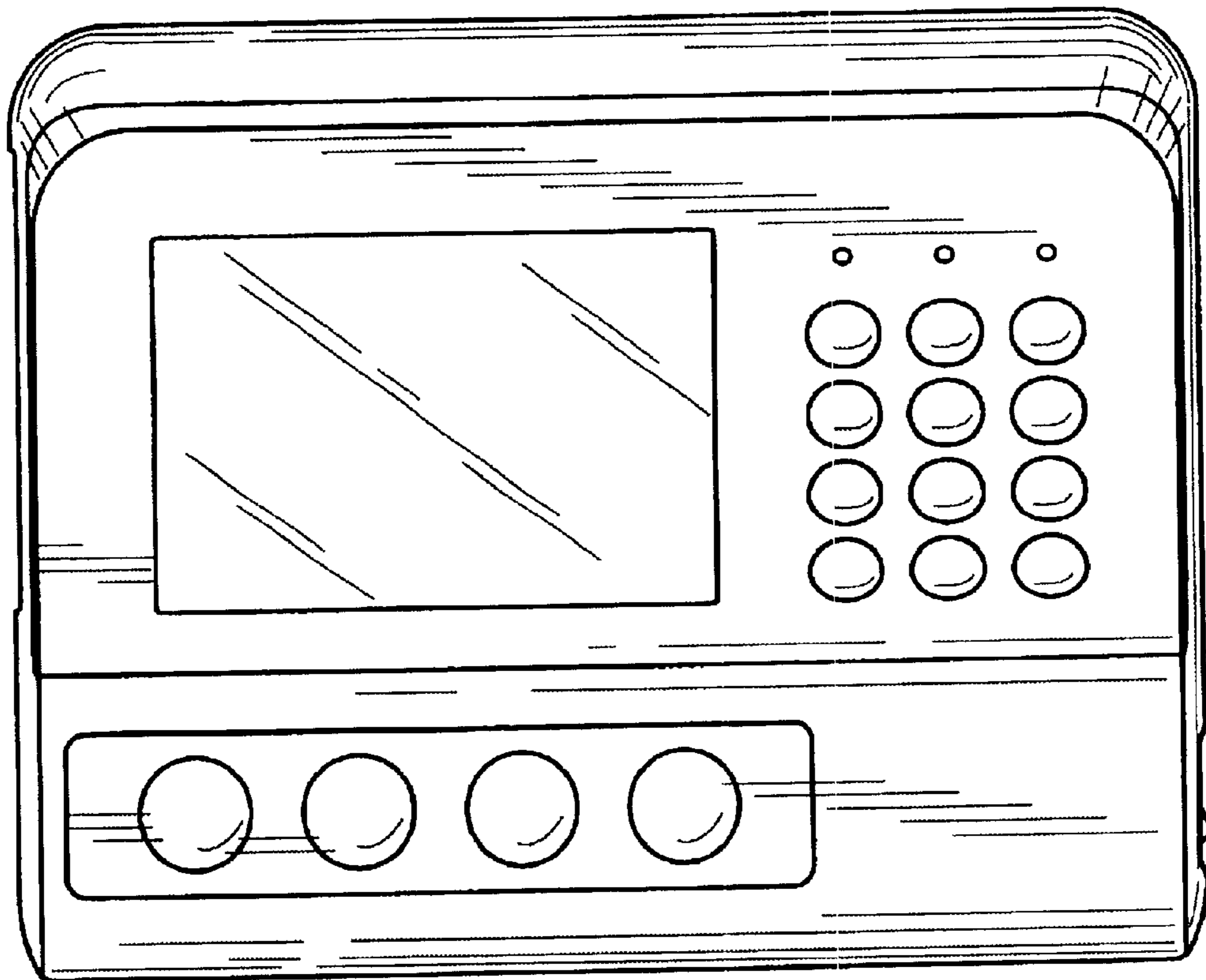


FIG. 6

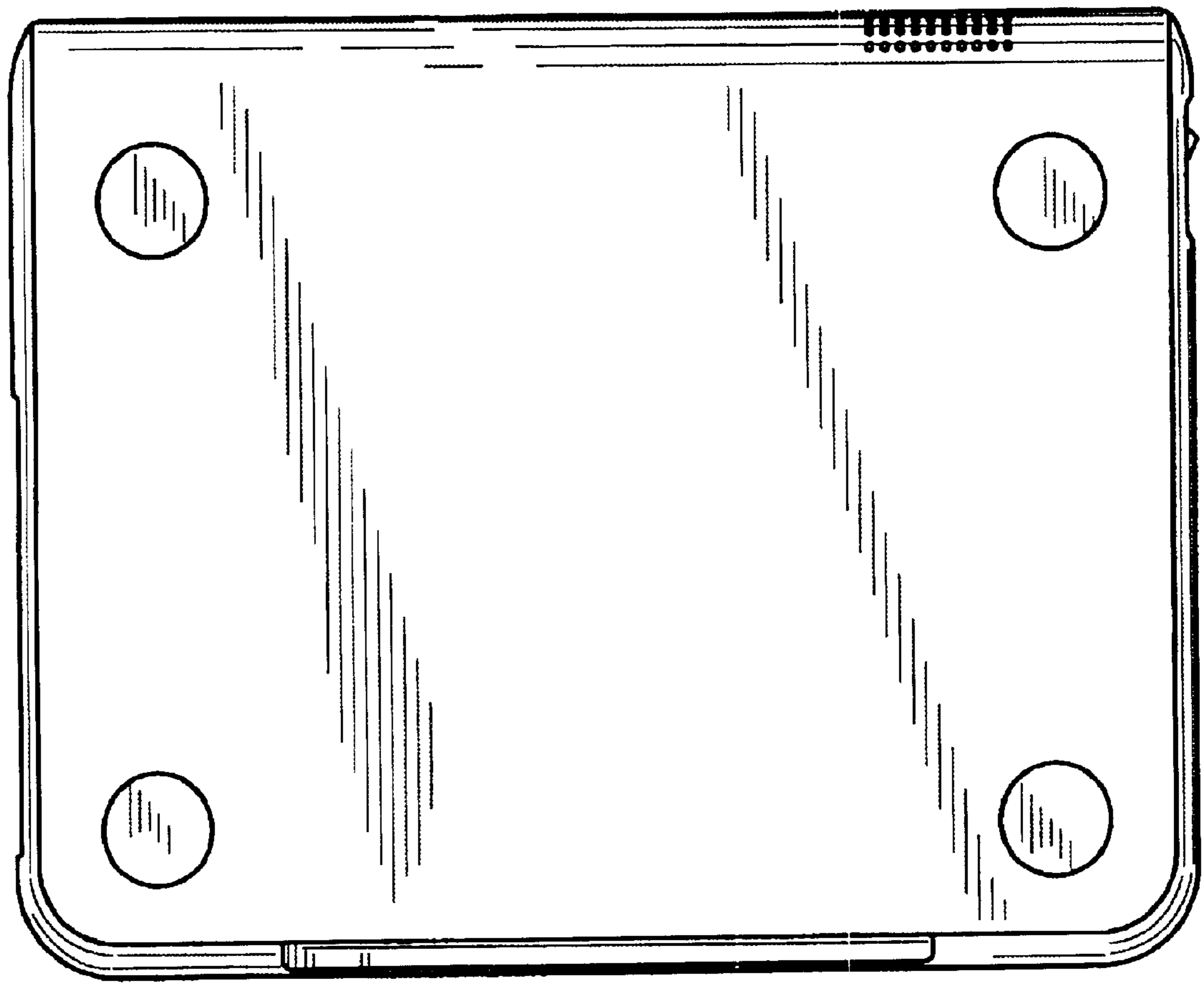


FIG. 7