



US00D490512S

(12) **United States Design Patent**  
**Campbell**

(10) **Patent No.:** **US D490,512 S**

(45) **Date of Patent:** **\*\* May 25, 2004**

(54) **CEILING FAN BLADE IRON**

(75) Inventor: **Glennbruce S. Campbell**, Memphis, TN (US)

(73) Assignee: **Hunter Fan Company**, Memphis, TN (US)

(\*\*) Term: **14 Years**

(21) Appl. No.: **29/163,377**

(22) Filed: **Jul. 2, 2002**

(51) **LOC (7) Cl.** ..... **23-04**

(52) **U.S. Cl.** ..... **D23/411**

(58) **Field of Search** ..... D23/411, 377, D23/379, 385, 413; 416/5, 210 R; 392/364

(56) **References Cited**

**U.S. PATENT DOCUMENTS**

D408,524 S	*	4/1999	Tsuji et al.	.....	D23/411
D435,902 S	*	1/2001	Huang	.....	D23/411
D458,362 S		6/2002	Campbell	.....	D23/411

**OTHER PUBLICATIONS**

Hunter 2001 Ceiling Fan Selection & Special Order Guide (The Avignon, The Brunswick, The Cambridge, The Ceiling Lamp, The Cedonia, The Ergonomic, The Oak Park, The

Savoy, Summer Breeze Plus, The Vista, The Wellesley) Casablanca Fan Company Year 2000 Product Catalog (The Artisan, The Bel Air, The Capristrano, The Lanai, The Cathay, The Metropolitan, The Pallisades, The I e Grande, The Utopian, The Estrada).

\* cited by examiner

*Primary Examiner*—Lisa Lichtenstein

(74) *Attorney, Agent, or Firm*—Baker Donelson

(57) **CLAIM**

The ornamental design for a ceiling fan blade iron, as shown and described.

**DESCRIPTION**

FIG. 1 is a perspective view of a ceiling fan blade iron showing my new design, shown in an inverted orientation for clarity.

FIG. 2 is a top view thereof.

FIG. 3 is a bottom view thereof.

FIG. 4 is a right side view thereof.

FIG. 5 is a left side view thereof.

FIG. 6 is a front view thereof; and,

FIG. 7 is a rear view thereof.

The broken line showing of environmental structure in FIGS. 1–3 is for illustrative purposes only and forms no part of the claimed design.

**1 Claim, 4 Drawing Sheets**

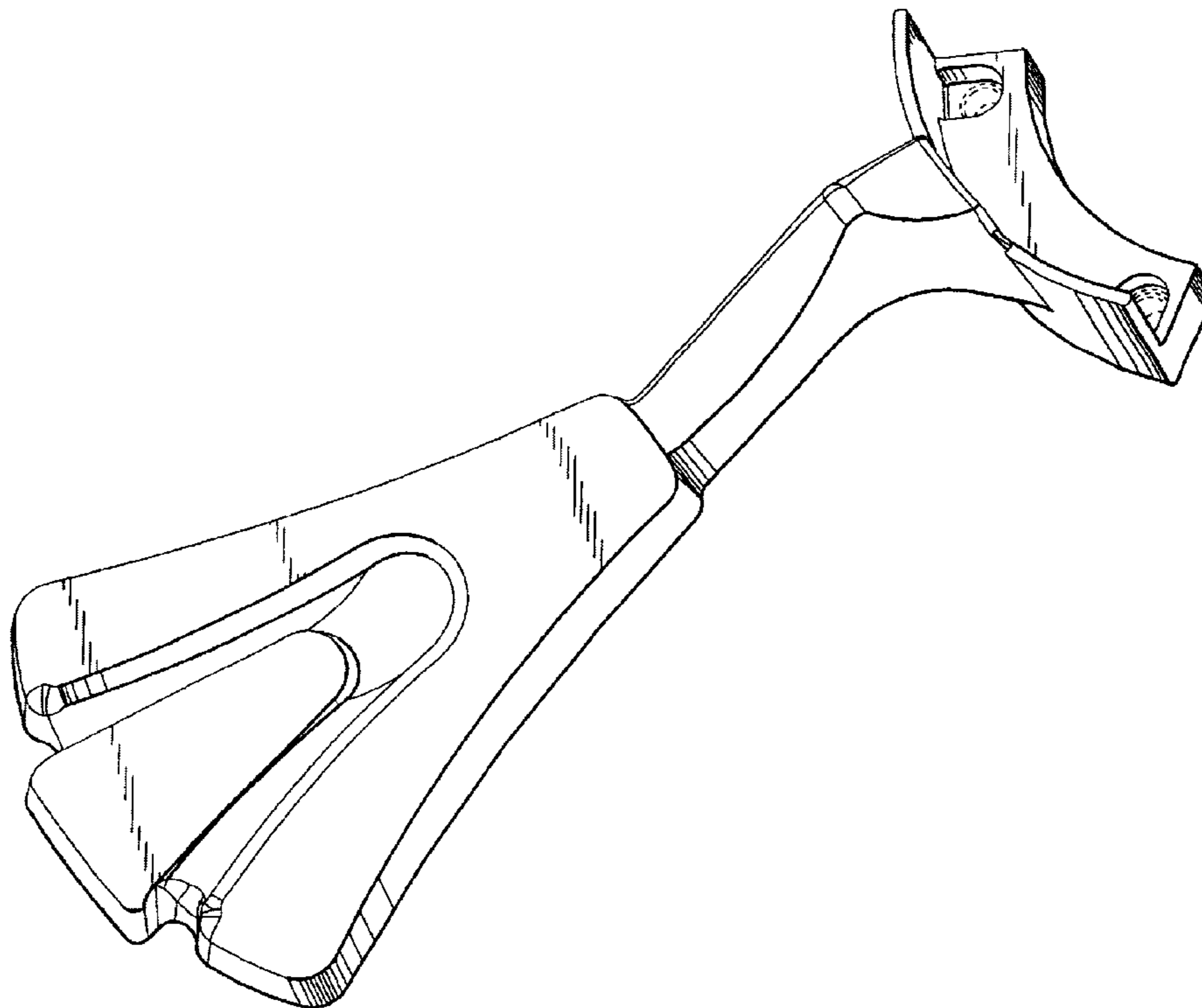


Fig. 1

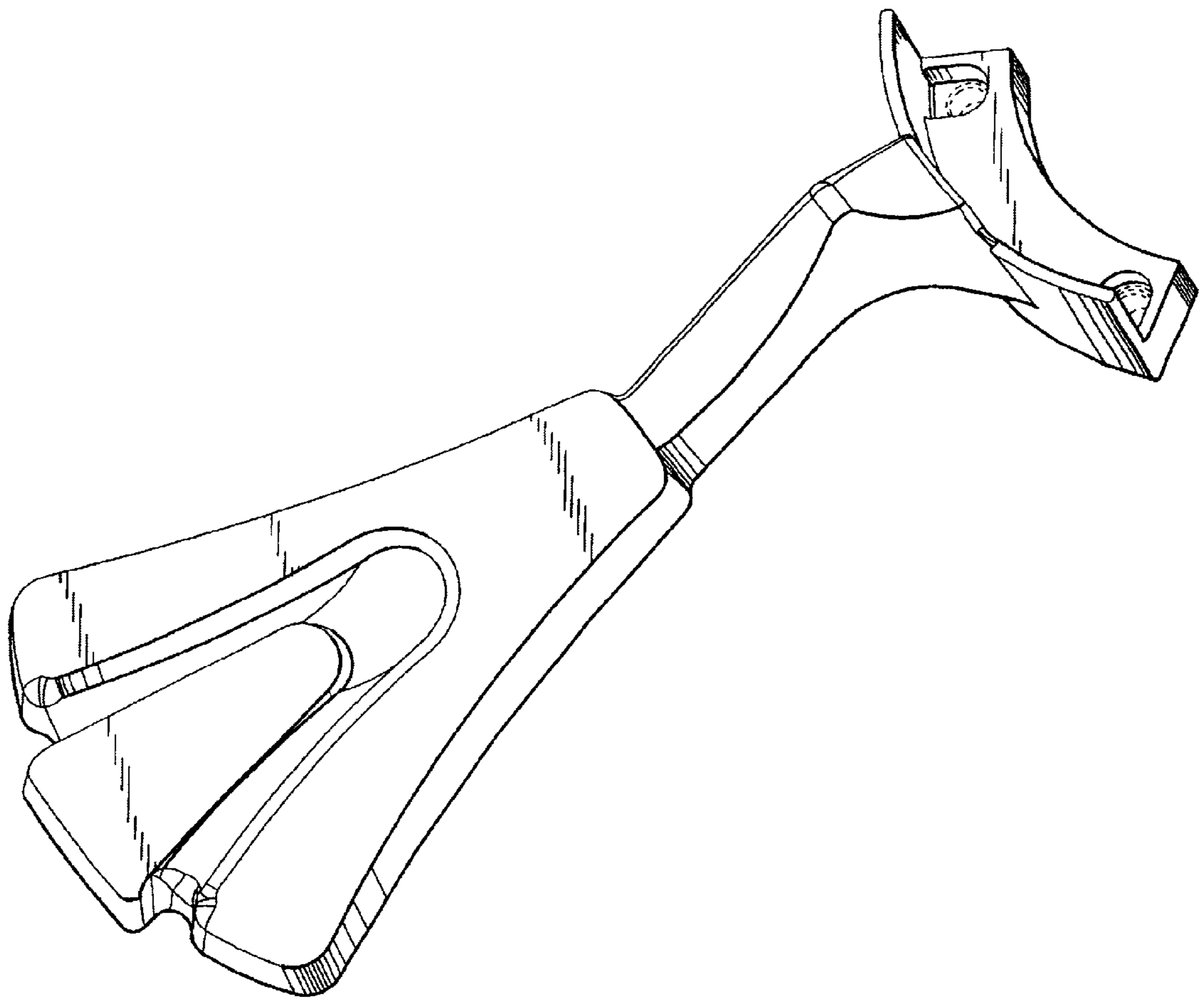


Fig. 2

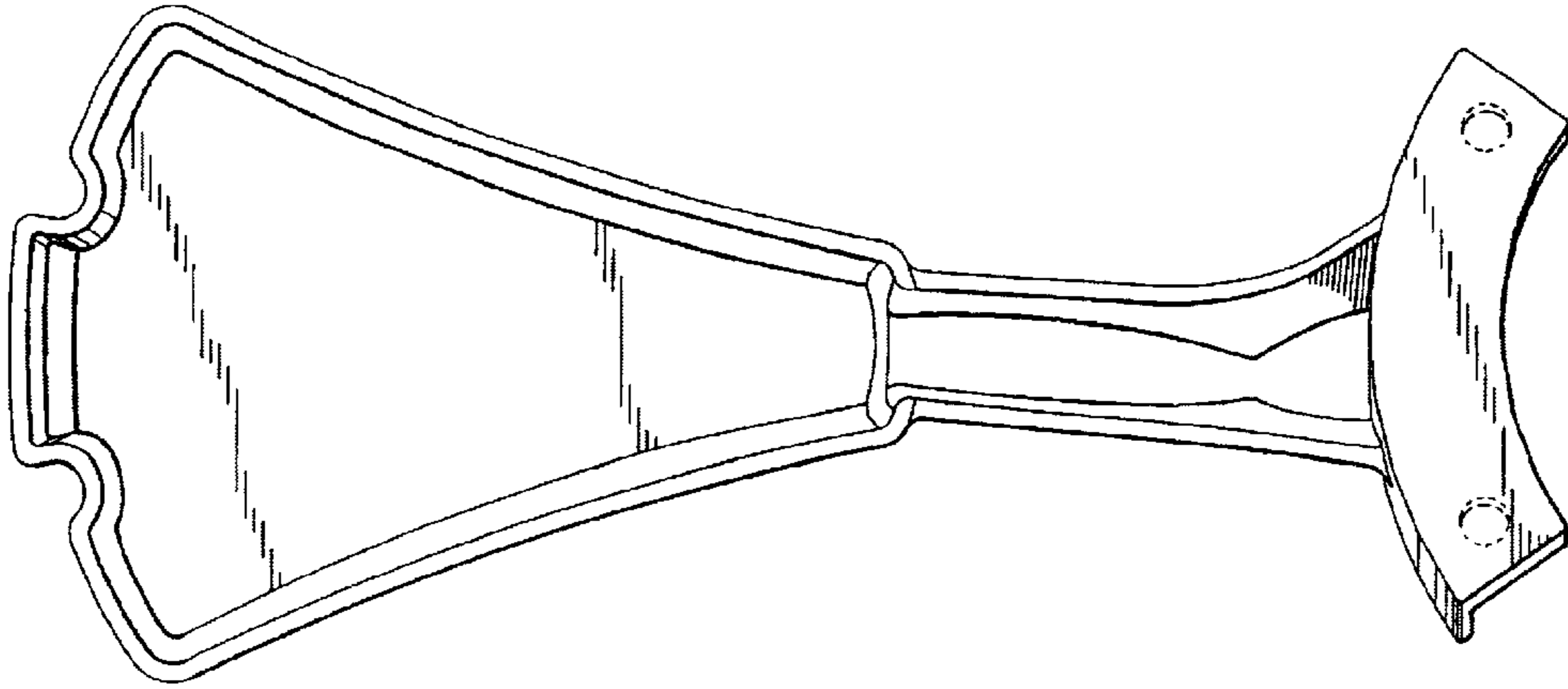


Fig. 3

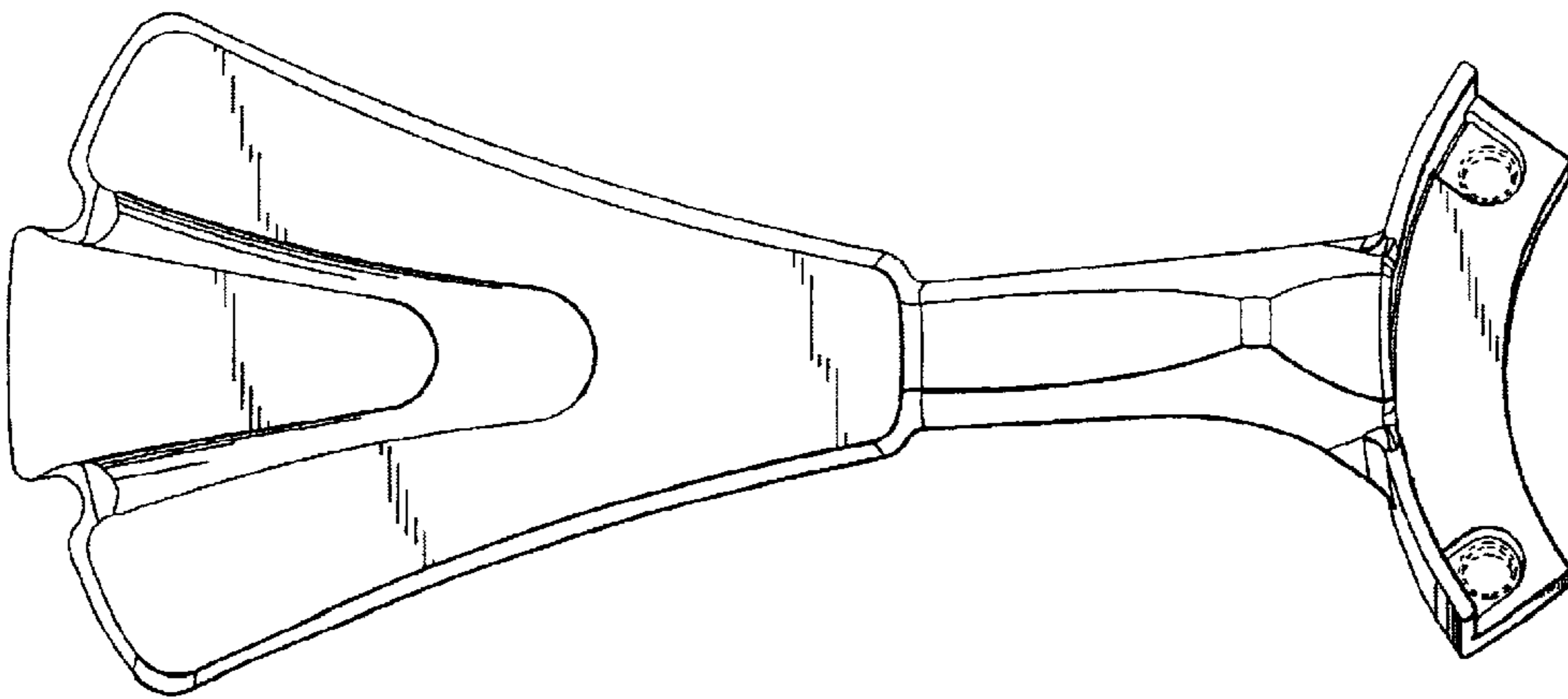


Fig. 4

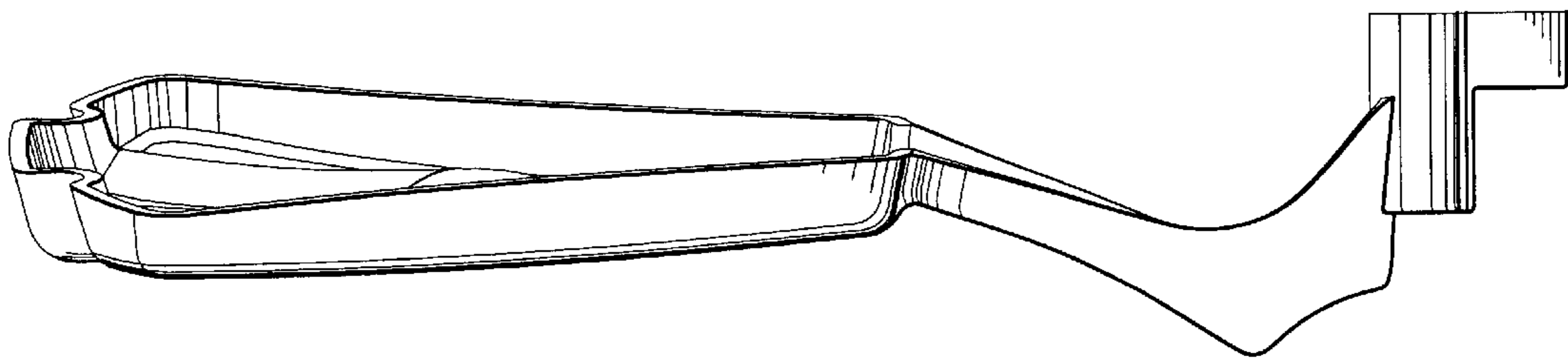


Fig. 5

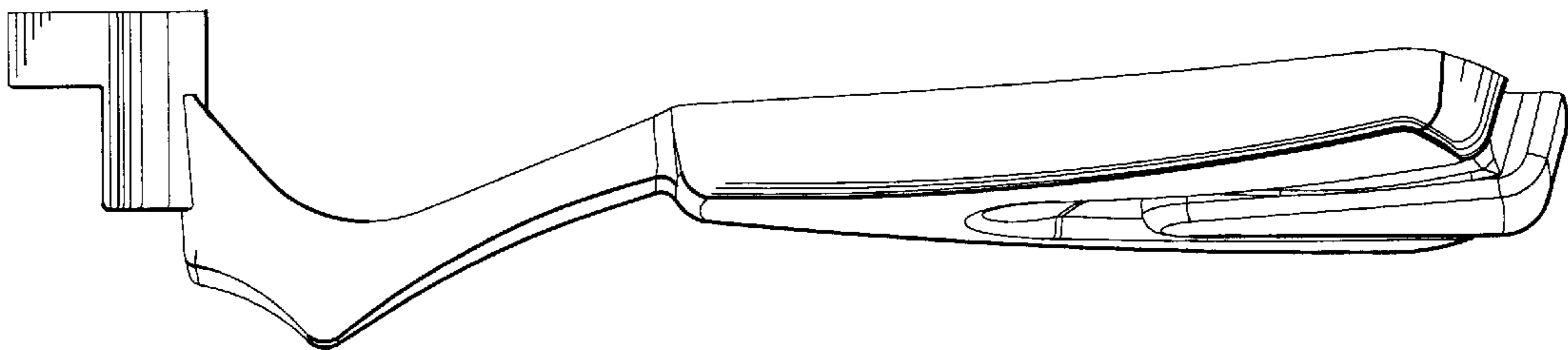


Fig. 6

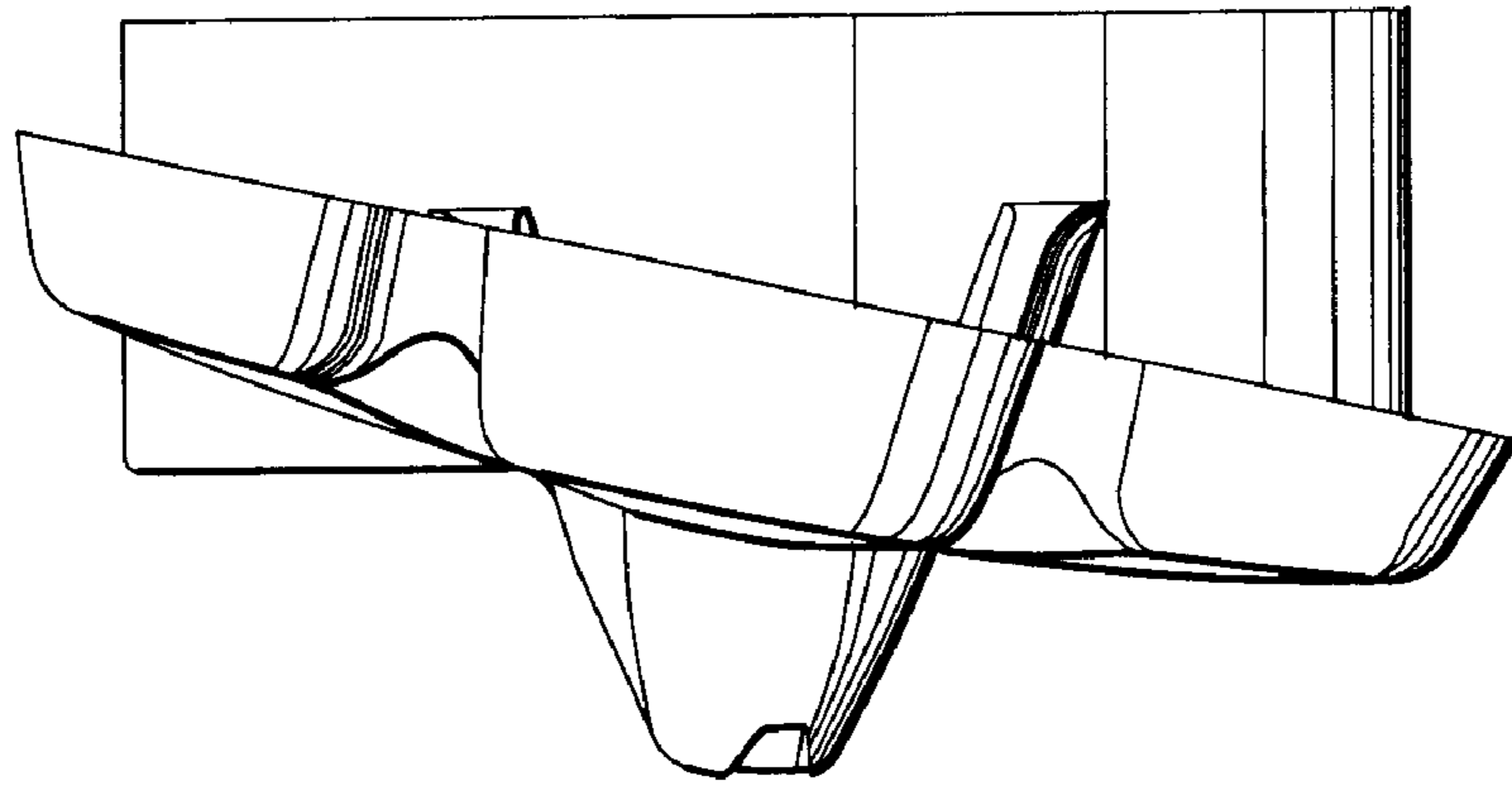


Fig. 7

