



US00D490511S

(12) **United States Design Patent**
Campbell

(10) **Patent No.:** **US D490,511 S**

(45) **Date of Patent:** **** May 25, 2004**

(54) **CEILING FAN MOTOR HOUSING**

* cited by examiner

(75) Inventor: **Glennbruce S. Campbell**, Memphis, TN (US)

Primary Examiner—Lisa Lichtenstein
(74) *Attorney, Agent, or Firm*—Baker Donelson

(73) Assignee: **Hunter Fan Company**, Memphis, TN (US)

(57) **CLAIM**

(**) Term: **14 Years**

The ornamental design for a ceiling fan motor housing, as shown and described.

(21) Appl. No.: **29/163,247**

DESCRIPTION

(22) Filed: **Jun. 29, 2002**

(51) **LOC (7) Cl.** **23-04**

(52) **U.S. Cl.** **D23/411**

(58) **Field of Search** D23/411, 377,
D23/379, 385; 416/5

FIG. 1 is a perspective view of a ceiling fan motor housing showing my new design, shown in an inverted orientation for clarity.

FIG. 2 is a bottom view thereof.

FIG. 3 is a top view thereof.

FIG. 4 is a right side view thereof, the left side being the same thereof; and,

FIG. 5 is a front view thereof, the rear view being the same thereof.

The broken line showing of environmental structure in FIG. 3 is for illustrative purposes only and forms no part of the claimed design.

(56) **References Cited**

U.S. PATENT DOCUMENTS

D308,419 S * 6/1990 Mason D23/411
D408,525 S * 4/1999 Tsuji D23/411

OTHER PUBLICATIONS

Hunter 2001 ceiling Fan Selection & Special Order Guide (The Regalia II, The Savoy, The Vista) Casablanca Fan Company Year 2000 Product Catalog (The Ventura—p. 27).

1 Claim, 3 Drawing Sheets

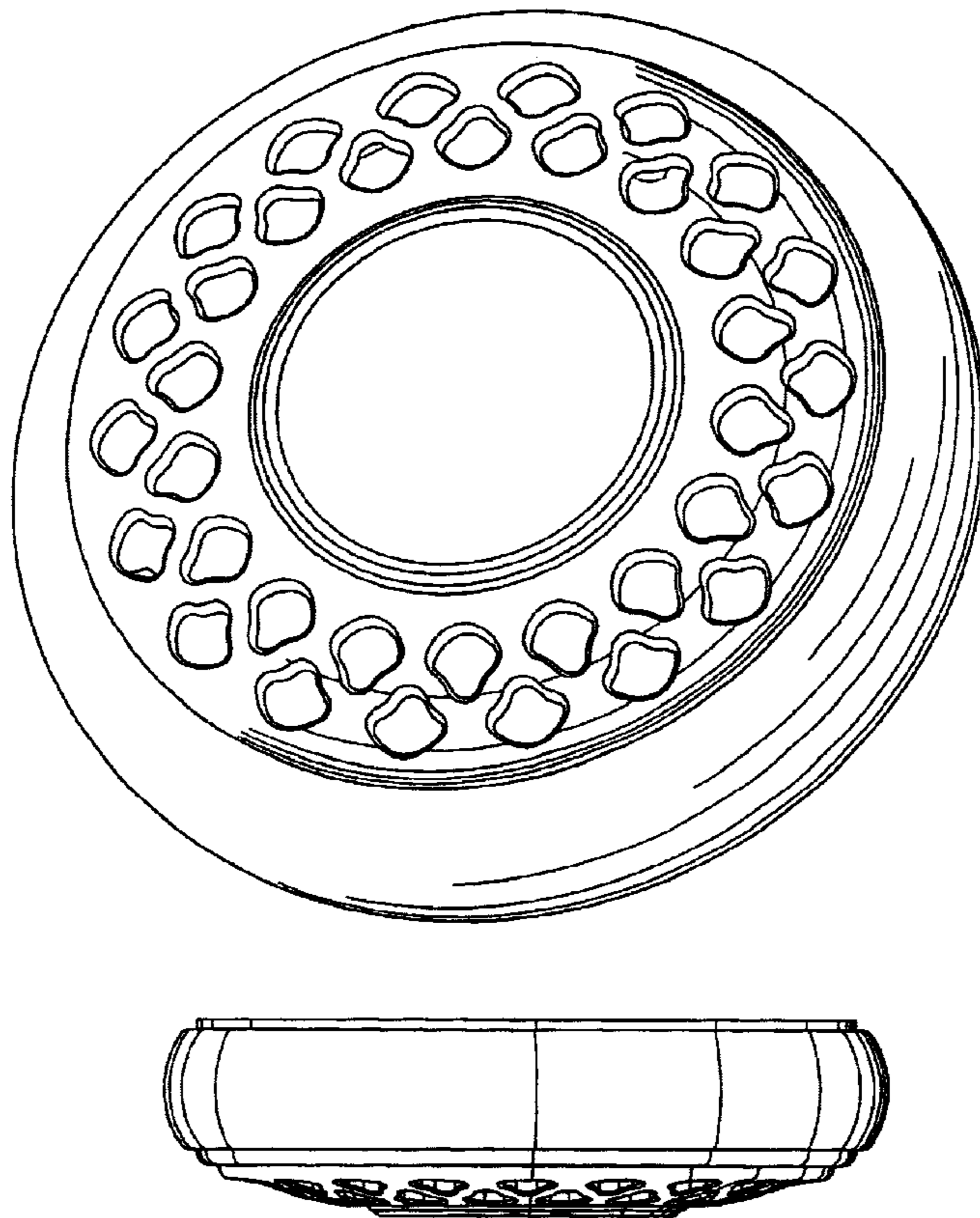


Fig. 1

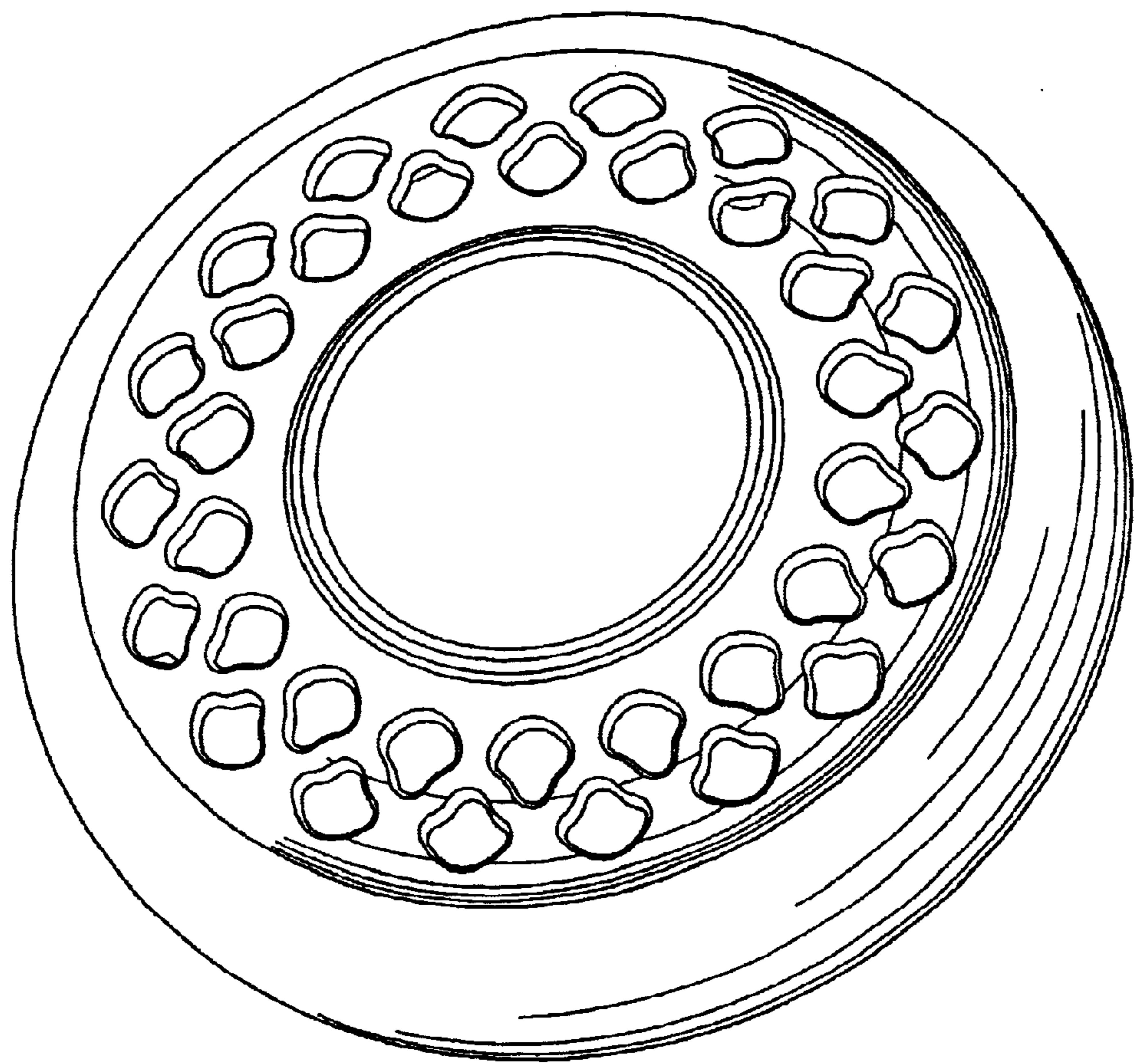


Fig. 2

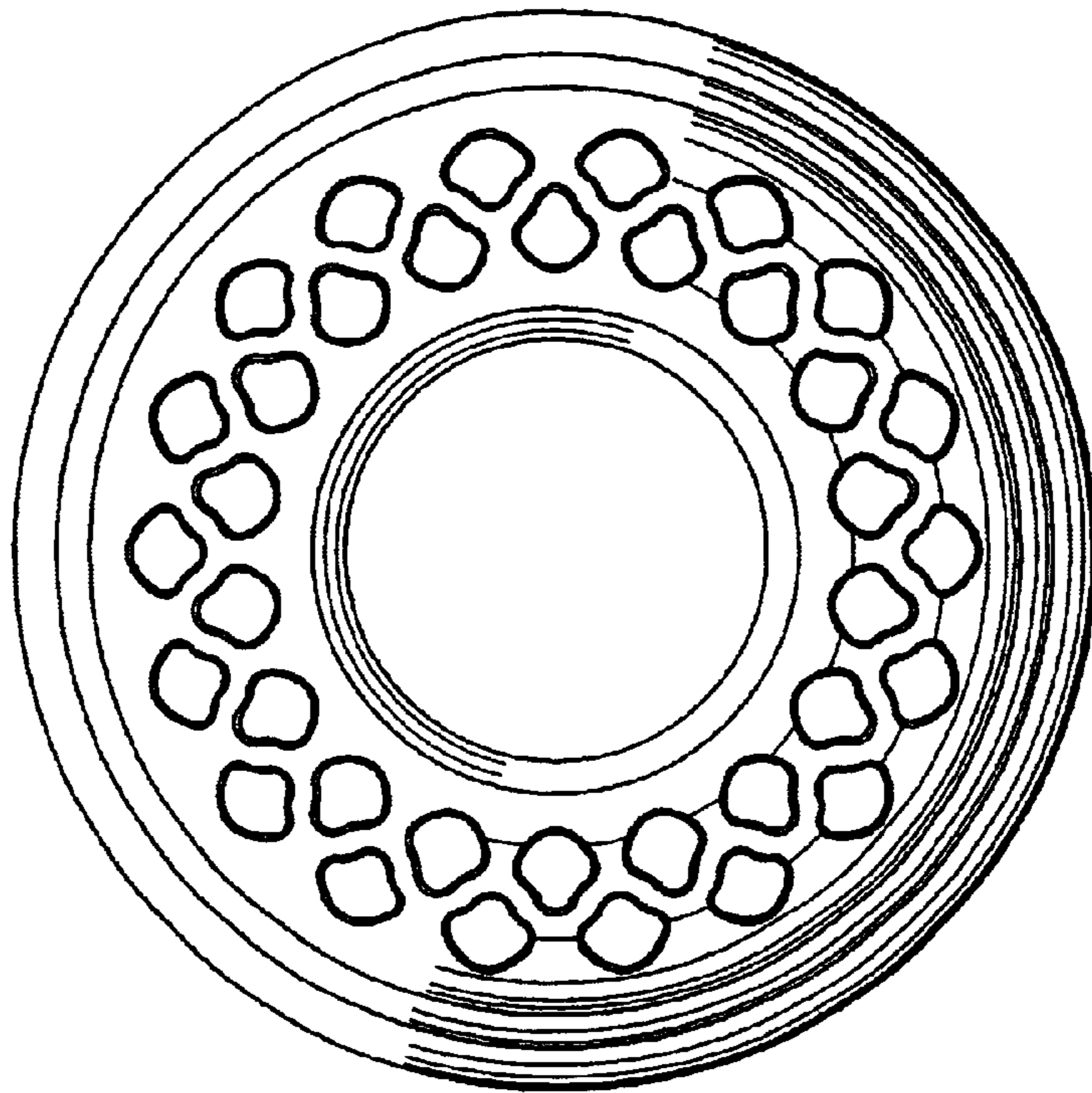


Fig. 3

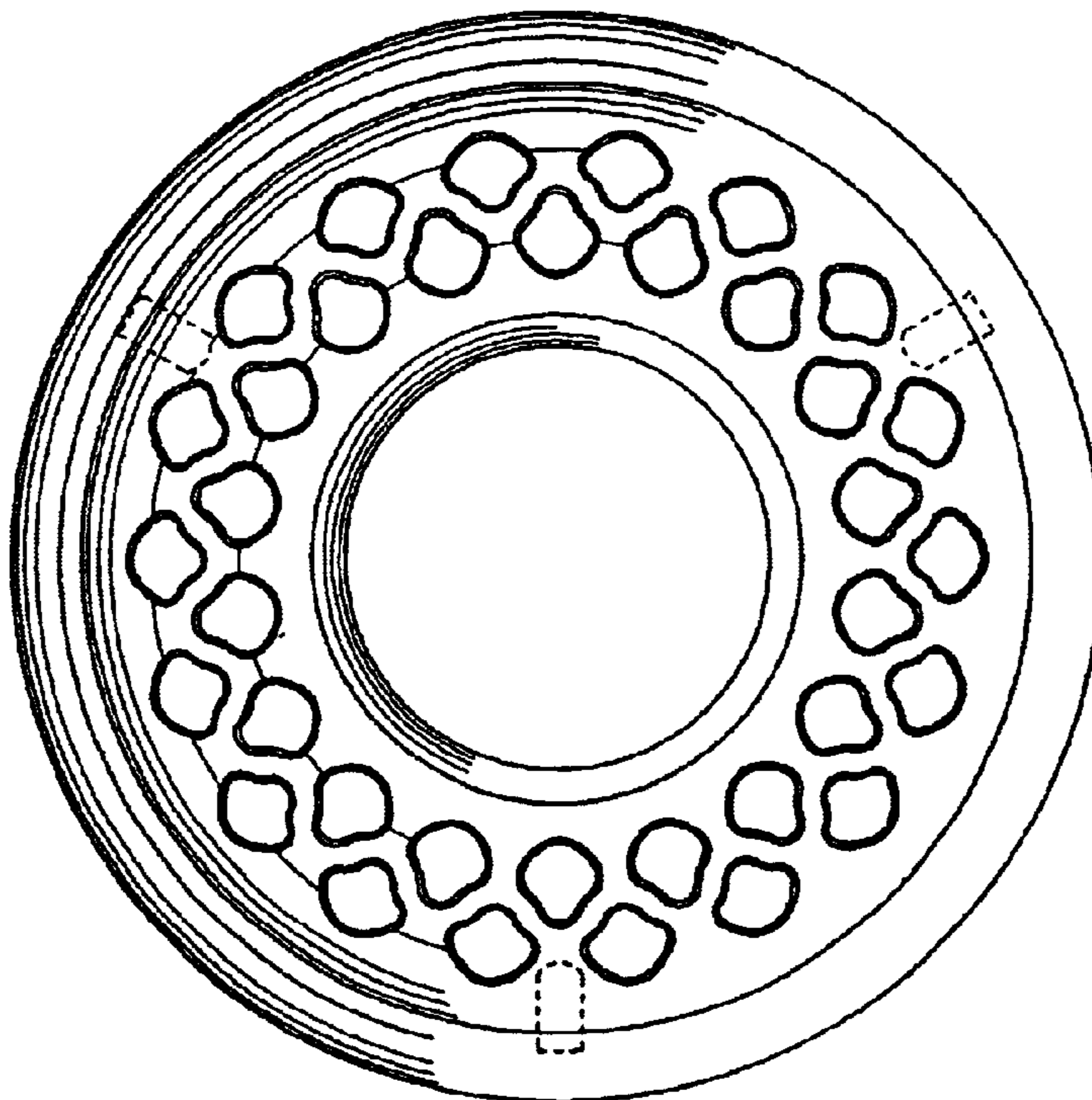


Fig. 4

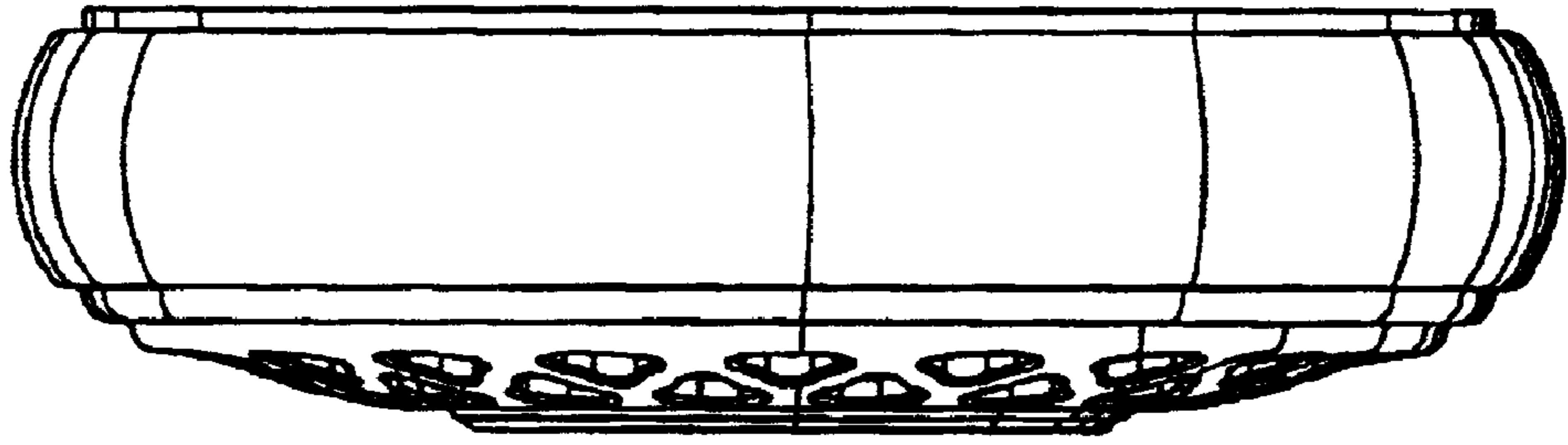


Fig. 5

