



US00D490510S

(12) **United States Design Patent**
Cohen

(10) **Patent No.:** **US D490,510 S**

(45) **Date of Patent:** **** May 25, 2004**

(54) **FAN ASSEMBLY FOR AN UMBRELLA**

(75) Inventor: **Ronald B. Cohen**, Hopkinton, MA
(US)

(73) Assignee: **Summer Blast, LLC**, Framingham, MA
(US)

(**) Term: **14 Years**

(21) Appl. No.: **29/173,236**

(22) Filed: **Dec. 23, 2002**

(51) **LOC (7) Cl.** **23-04**

(52) **U.S. Cl.** **D23/379**

(58) **Field of Search** D23/379, 377,
D23/385, 411, 413; 416/5, 210 R, 170 R,
244 R; 135/16

(56) **References Cited**

U.S. PATENT DOCUMENTS

D325,079 S	*	3/1992	Chaim	D23/379
D357,978 S	*	5/1995	Young	D23/377
6,017,188 A	*	1/2000	Benton	416/5

* cited by examiner

Primary Examiner—Lisa Lichtenstein

(74) *Attorney, Agent, or Firm*—Iandiorio & Teska

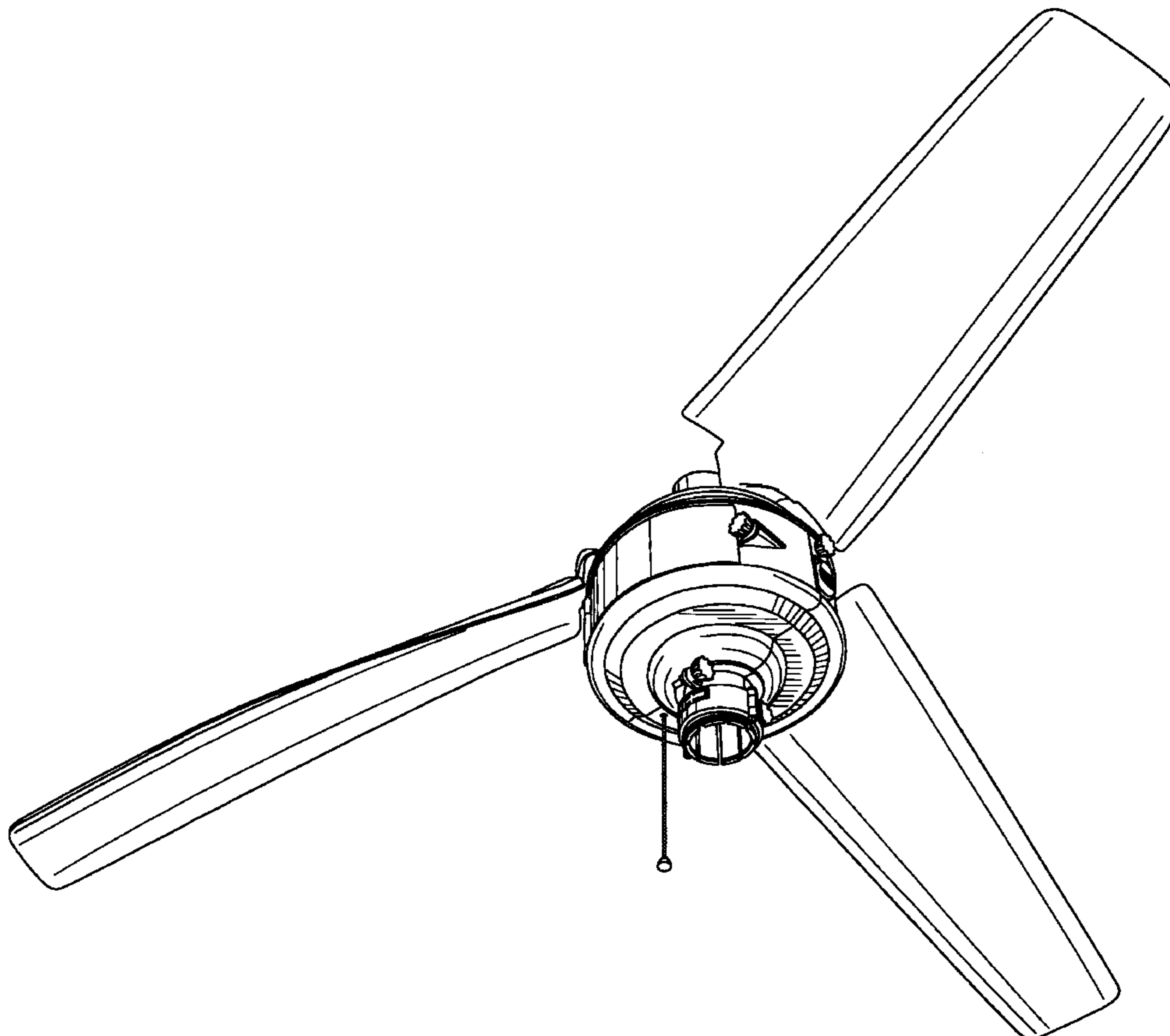
(57) **CLAIM**

The ornamental design for a fan assembly for an umbrella, as shown and described.

DESCRIPTION

FIG. 1 is a bottom perspective view of the fan assembly for an umbrella according to this invention;
 FIG. 2 is a top perspective view of the fan assembly for an umbrella according to this invention;
 FIG. 3 is a front view of the fan assembly for an umbrella according to this invention;
 FIG. 4 is a right side view of the fan assembly for an umbrella according to this invention;
 FIG. 5 is a back view of the fan assembly for an umbrella according to this invention;
 FIG. 6 is a left side view of the fan assembly for an umbrella according to this invention;
 FIG. 7 is a top view of the fan assembly for an umbrella according to this invention;
 FIG. 8 is a bottom view of the fan assembly for an umbrella according to this invention;
 FIG. 9 is a bottom perspective view, on a reduced scale of the fan assembly for an umbrella shown attached to an umbrella according to this invention; and,
 FIG. 10 is a top perspective view, on a reduced scale of the fan assembly for an umbrella shown attached to an umbrella with a patio table according to this invention.

1 Claim, 10 Drawing Sheets



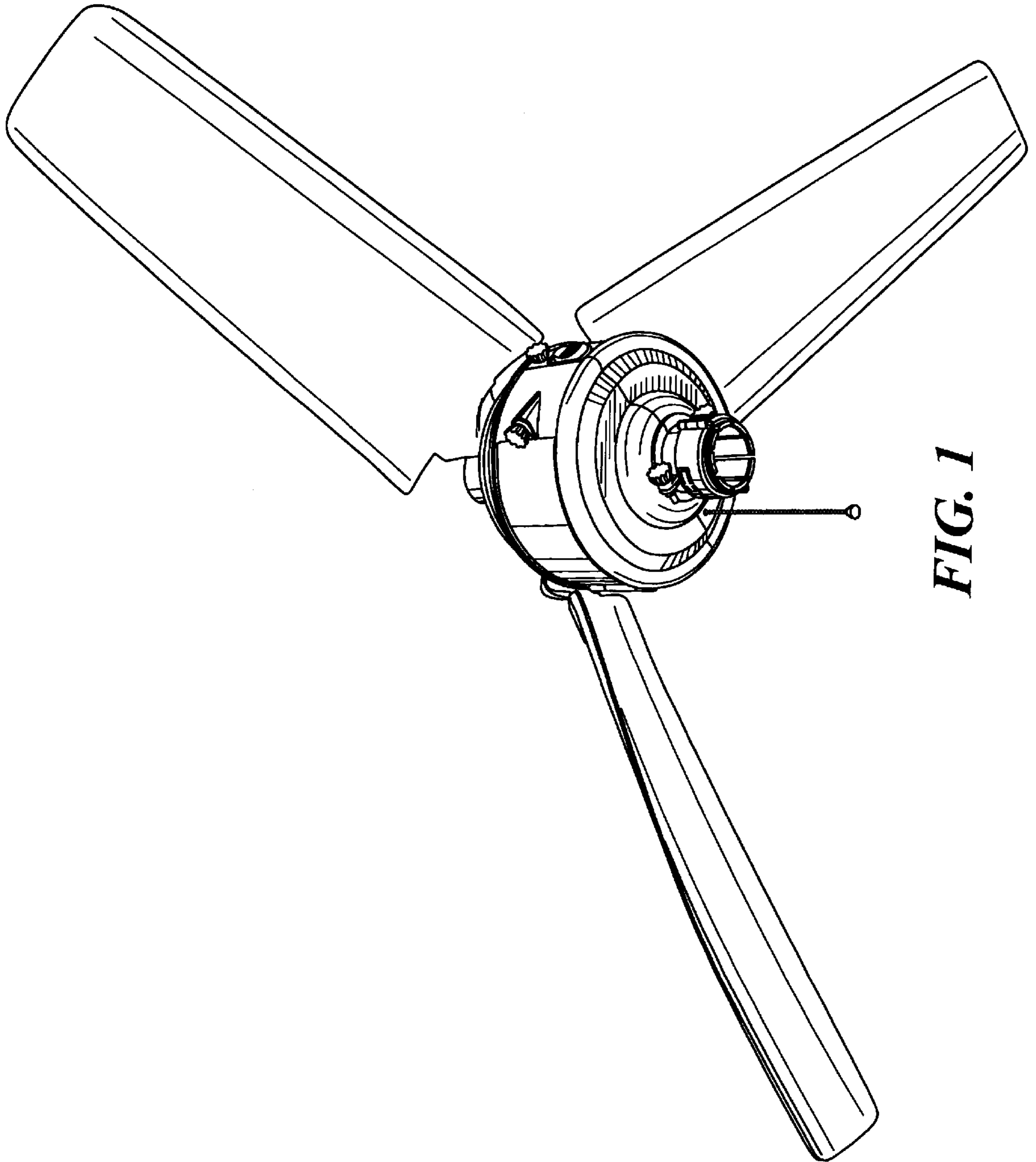


FIG. 1

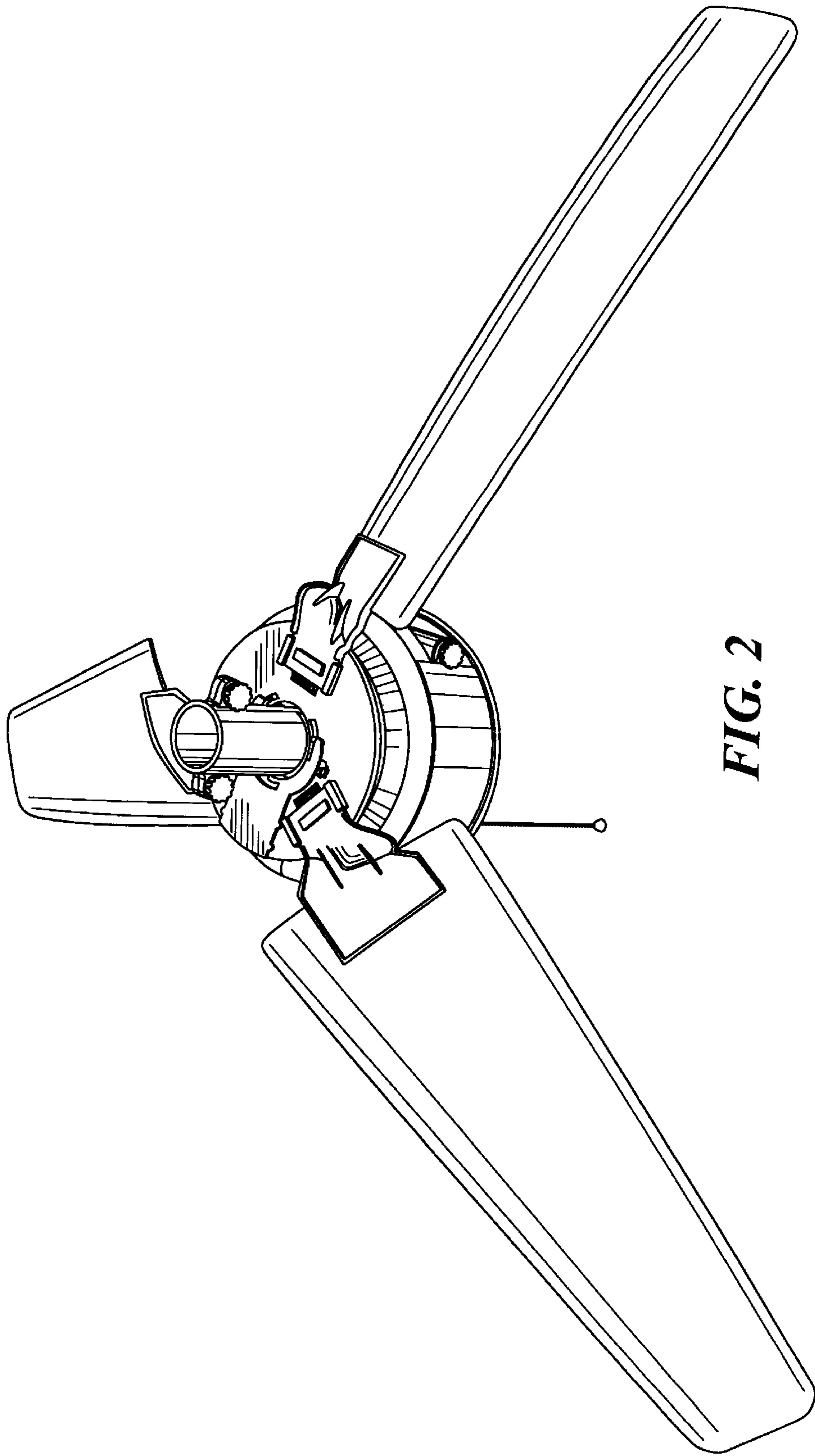


FIG. 2

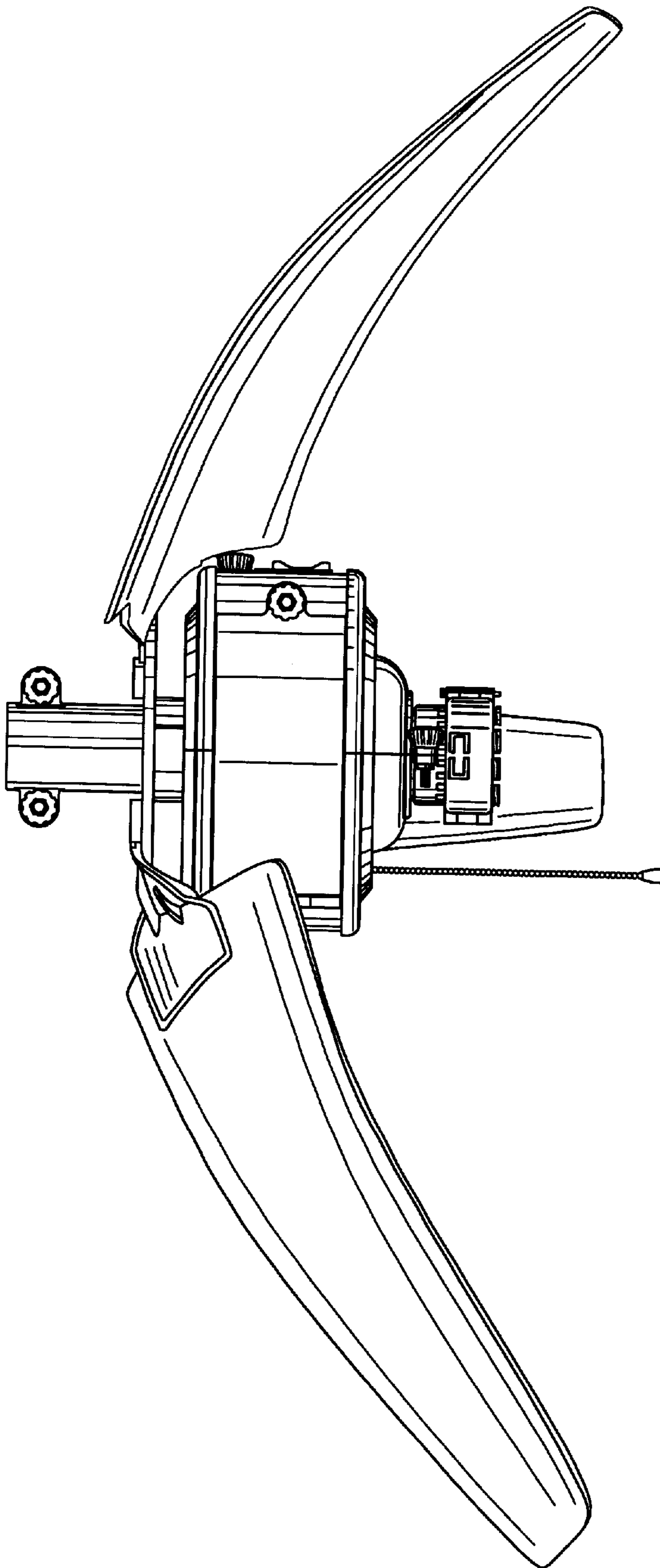


FIG. 3

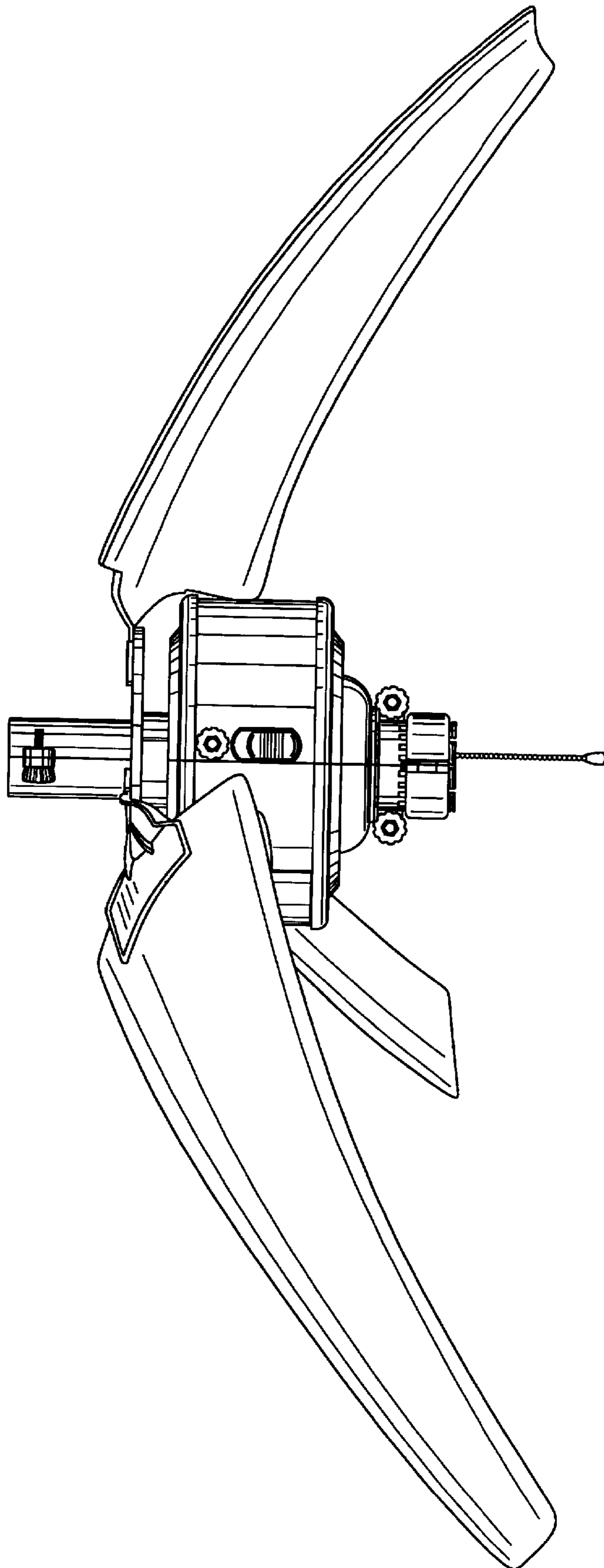


FIG. 4

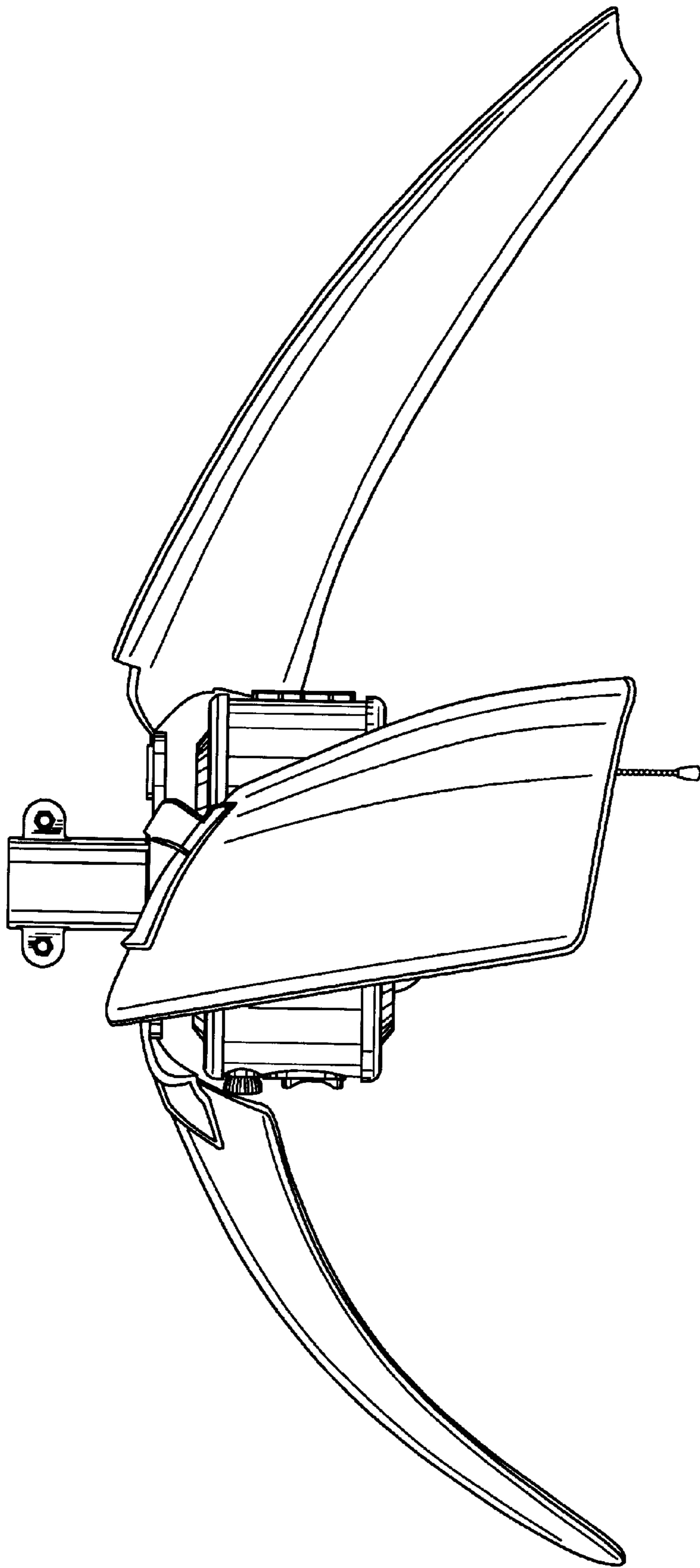


FIG. 5

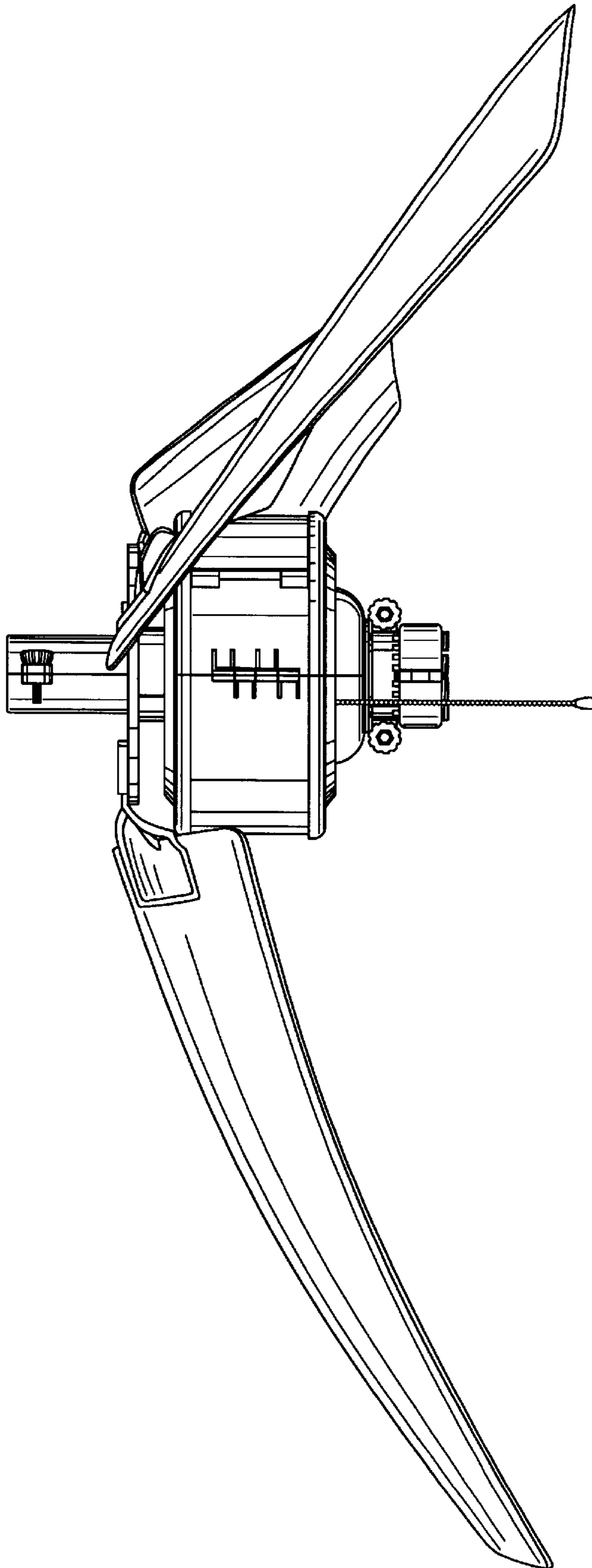


FIG. 6

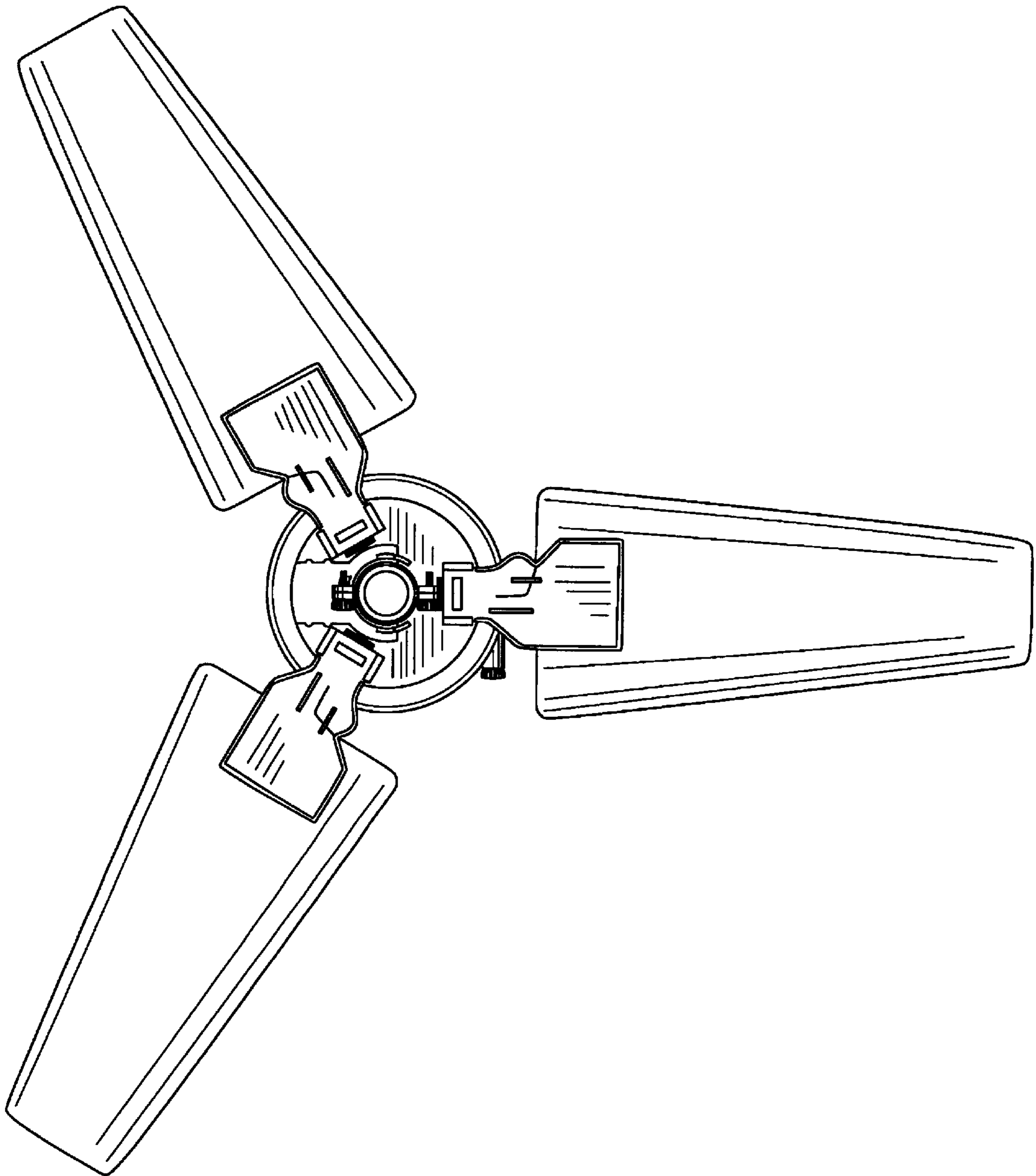


FIG. 7

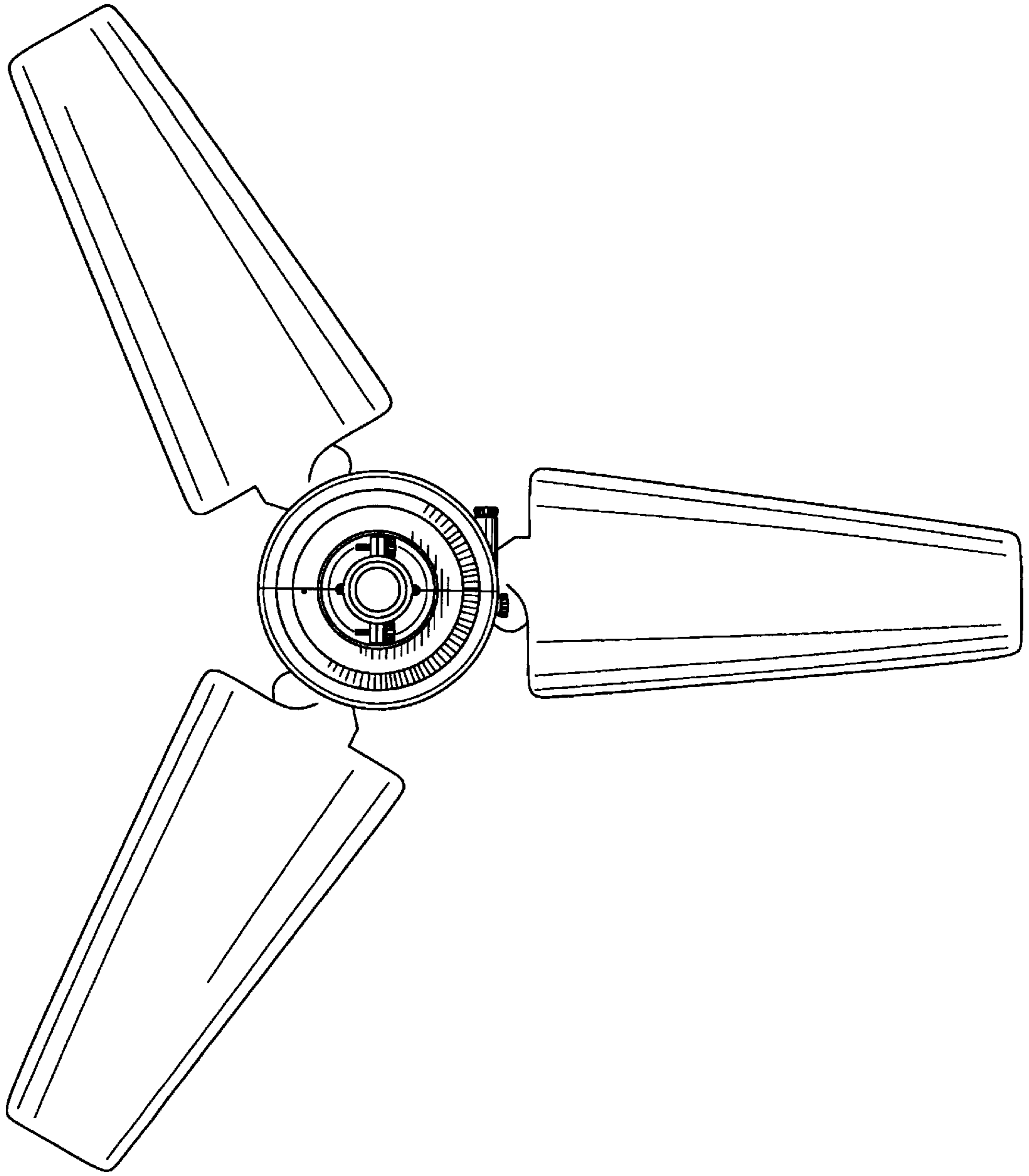


FIG. 8

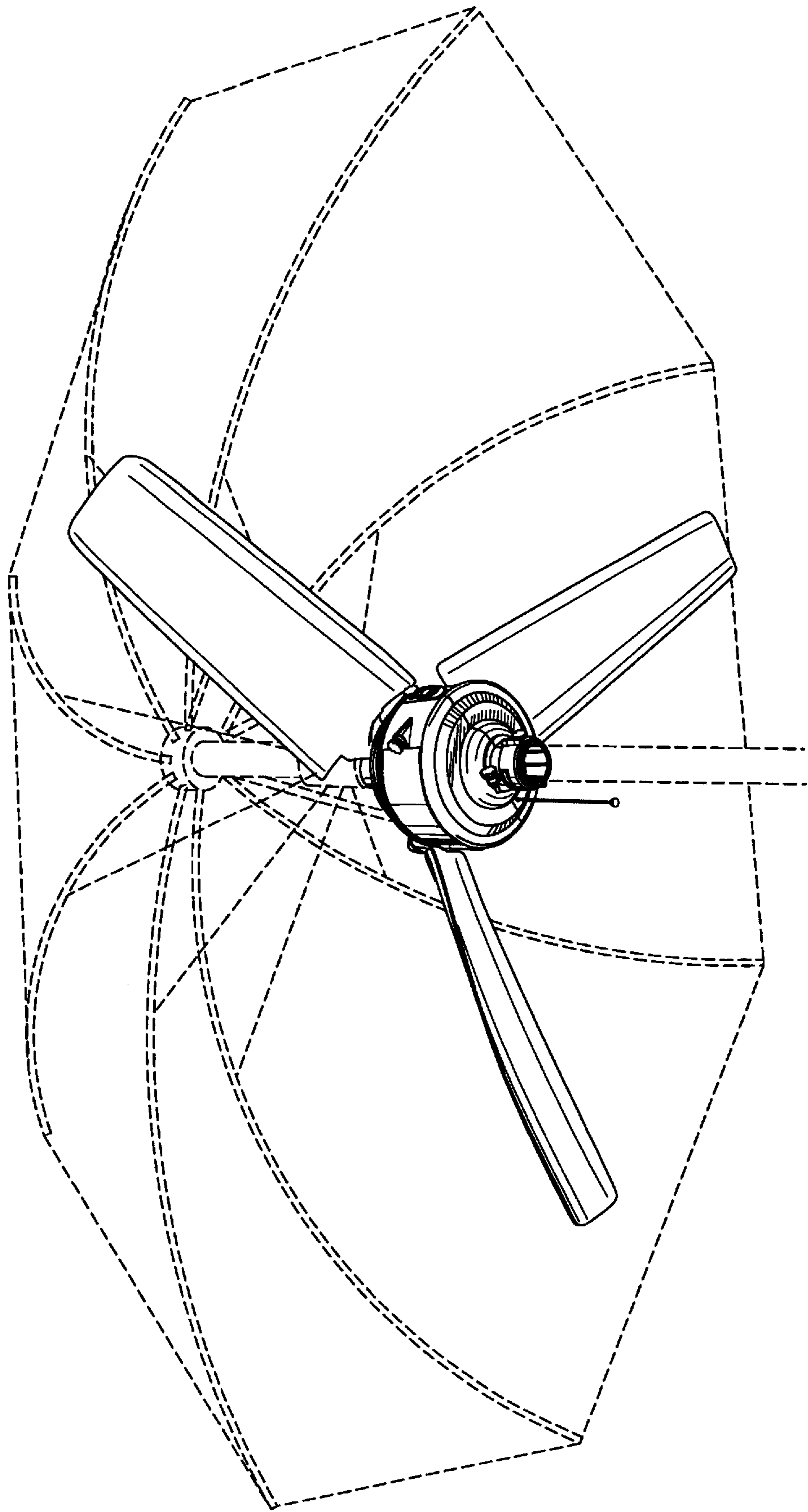


FIG. 9

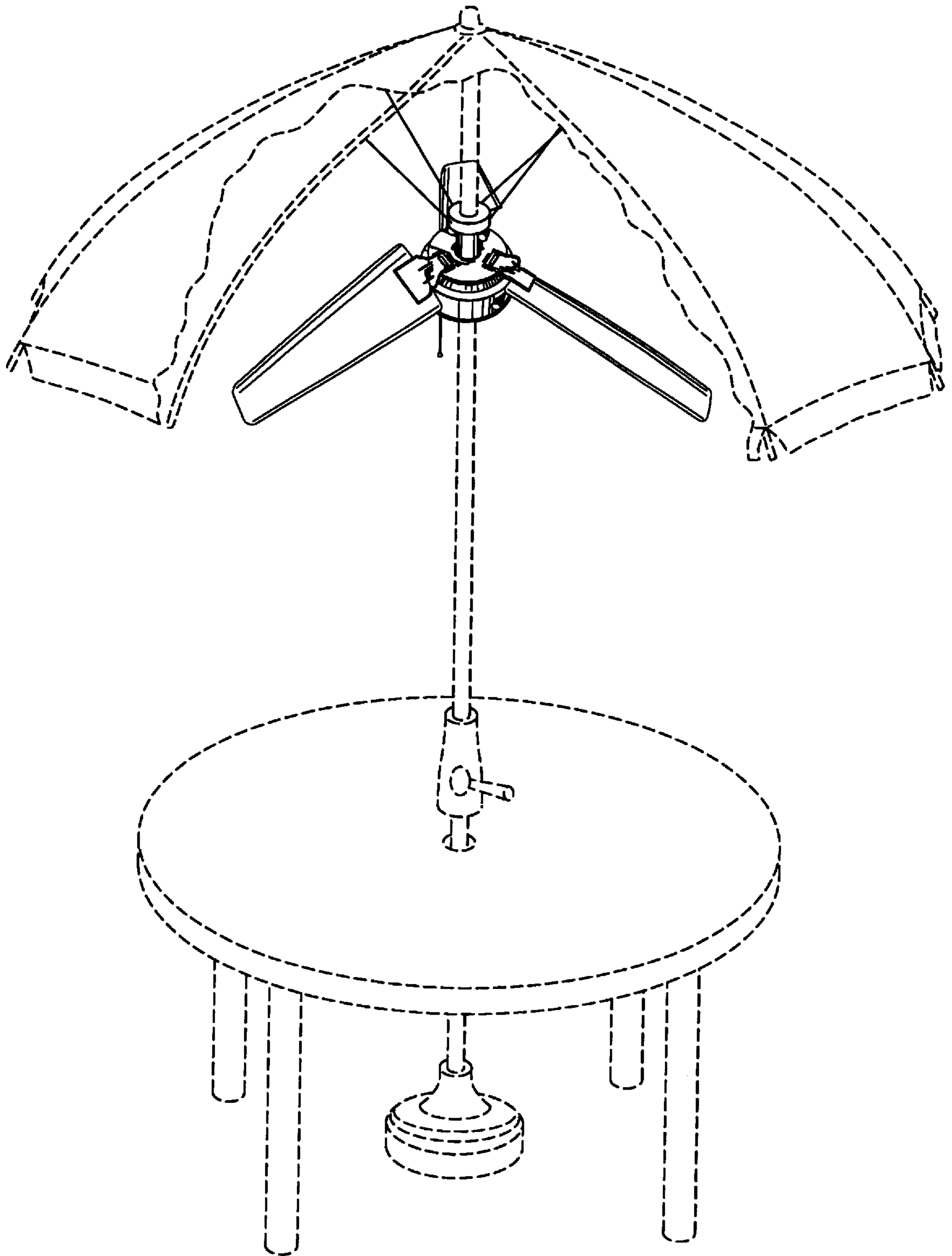


FIG. 10