



US00D490508S

(12) **United States Design Patent** (10) **Patent No.:** **US D490,508 S**
Toyohara et al. (45) **Date of Patent:** **** May 25, 2004**

(54) **AUTOMATIC URINAL WASHING DEVICE**

(75) Inventors: **Atsushi Toyohara**, Kitakyushu (JP);
Hideo Kanbara, Kitakyushu (JP)

(73) Assignee: **Toto Ltd.**, Fukuoka (JP)

(**) Term: **14 Years**

(21) Appl. No.: **29/176,799**

(22) Filed: **Feb. 26, 2003**

(30) **Foreign Application Priority Data**

Dec. 20, 2002 (JP) 2002-035513

(51) **LOC (7) Cl.** **23-02**

(52) **U.S. Cl.** **D23/309**

(58) **Field of Search** D23/274, 300,
D23/302-303, 309, 313; 4/664, 301-306,
462-463, 308-310, 405, 144.1, 144.2, 144.3,
144.4

(56) **References Cited**

U.S. PATENT DOCUMENTS

4,338,690	A *	7/1982	Hsieh et al.	4/302
5,548,119	A *	8/1996	Nortier	4/304
6,560,790	B2 *	5/2003	Saar et al.	4/302
6,643,853	B2 *	11/2003	Wilson et al.	4/302

* cited by examiner

Primary Examiner—Louis S. Zarfes

Assistant Examiner—Robert A. Delehanty

(74) *Attorney, Agent, or Firm*—Jordan and Hamburg LLP

(57) **CLAIM**

The ornamental design for a automatic urinal washing device, as shown.

DESCRIPTION

FIG. 1 is a front perspective view of the automatic urinal washing device;

FIG. 2 is a front view of the automatic urinal washing device;

FIG. 3 is a back view of the automatic urinal washing device;

FIG. 4 is a left side view of the automatic urinal washing device;

FIG. 5 is a right side view of the automatic urinal washing device;

FIG. 6 is a top view of the automatic urinal washing device;

FIG. 7 is a bottom view of the automatic urinal washing device;

FIG. 8 is a sectional view taken on line A—A of FIG. 2; and,

FIG. 9 is a perspective view shown on a greatly reduced scale of the device in condition of use with a urinal shown in broken lines and forming no part of the claimed design.

1 Claim, 5 Drawing Sheets

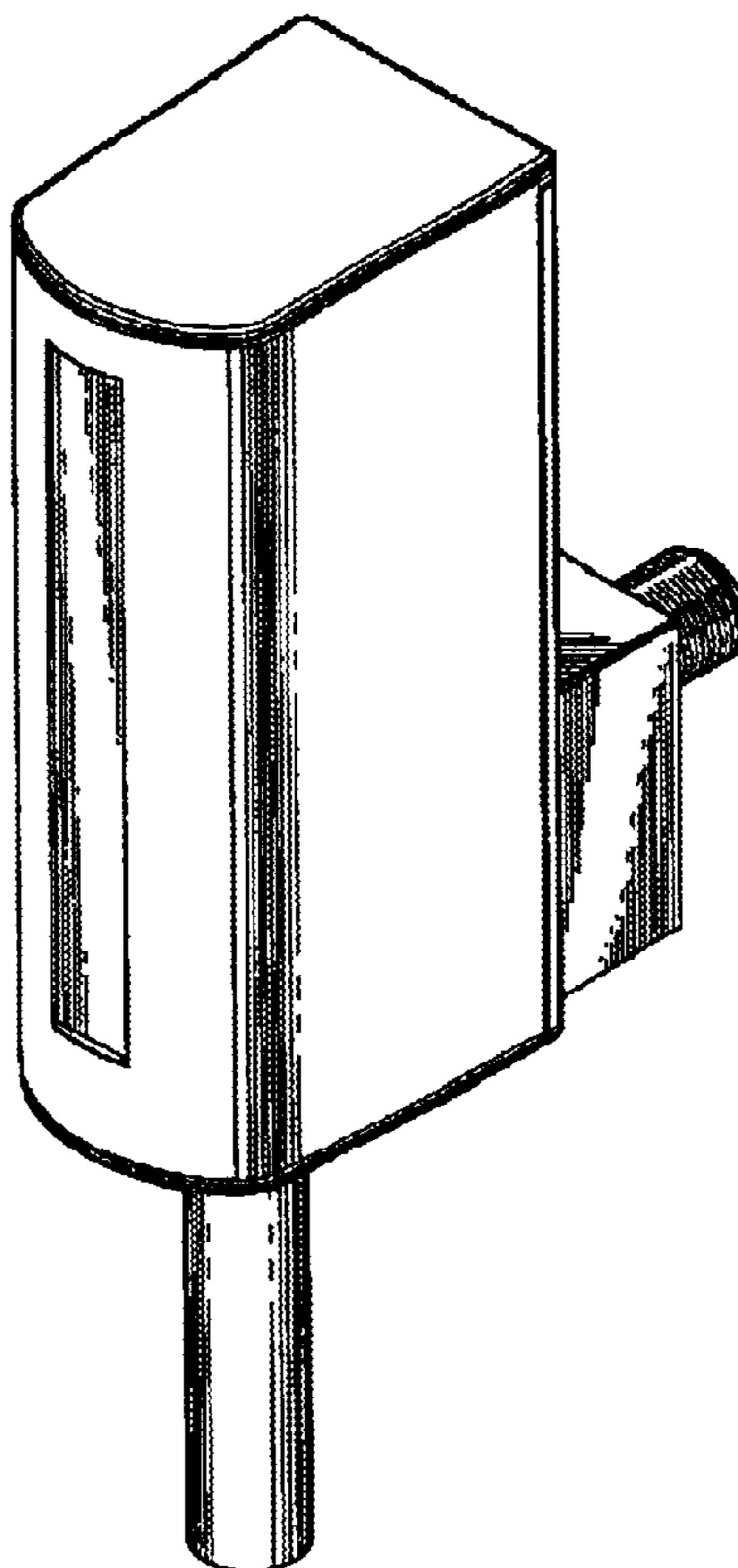


fig. 1

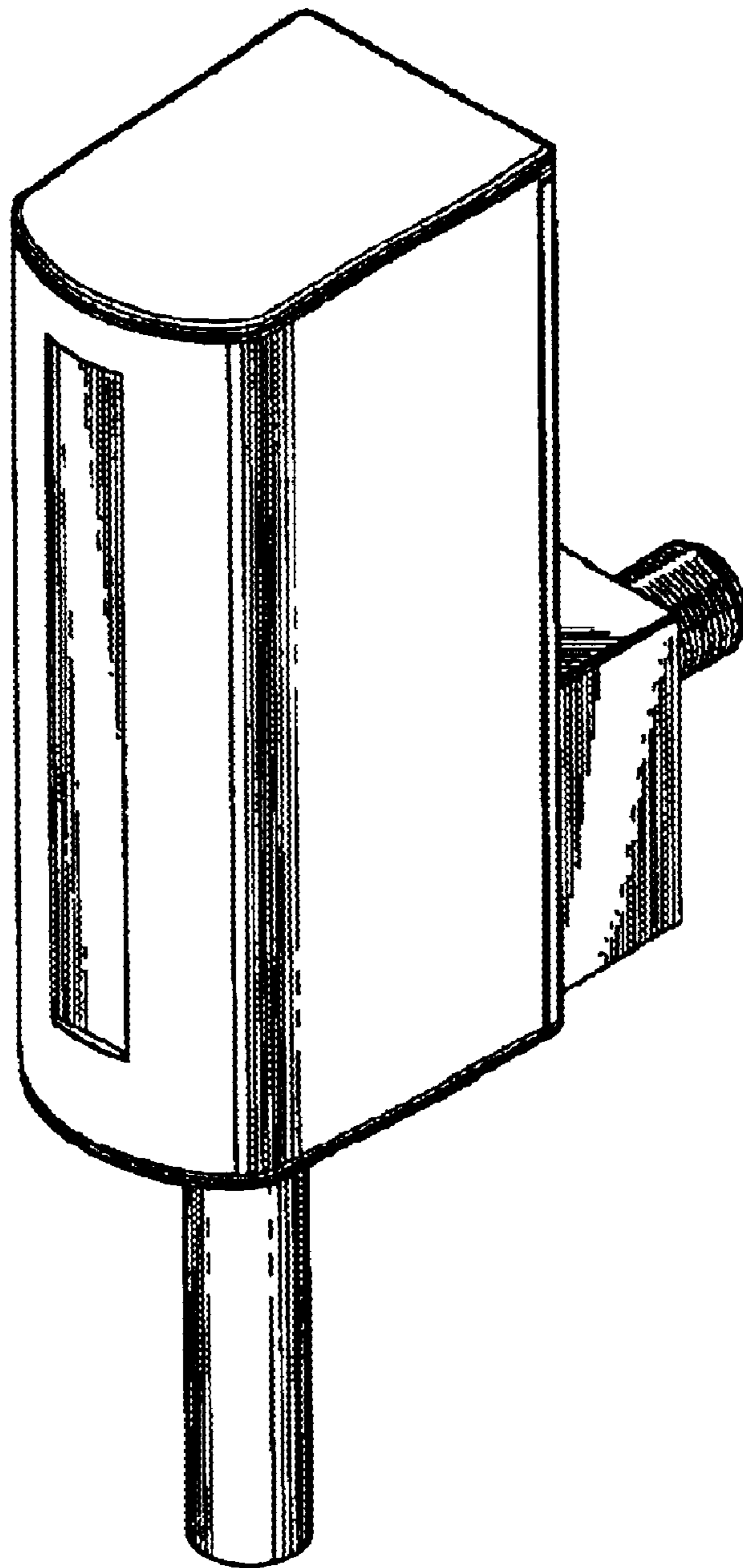


fig. 2

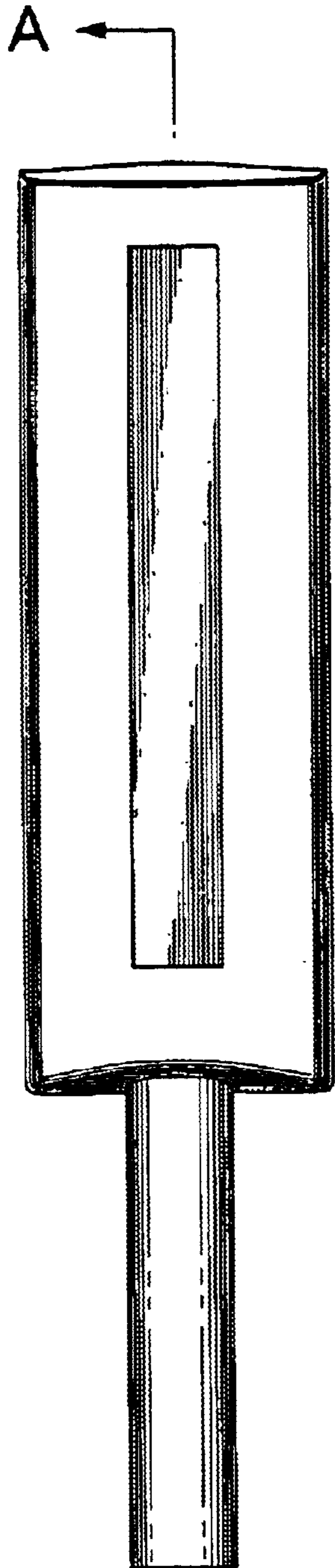


fig. 3

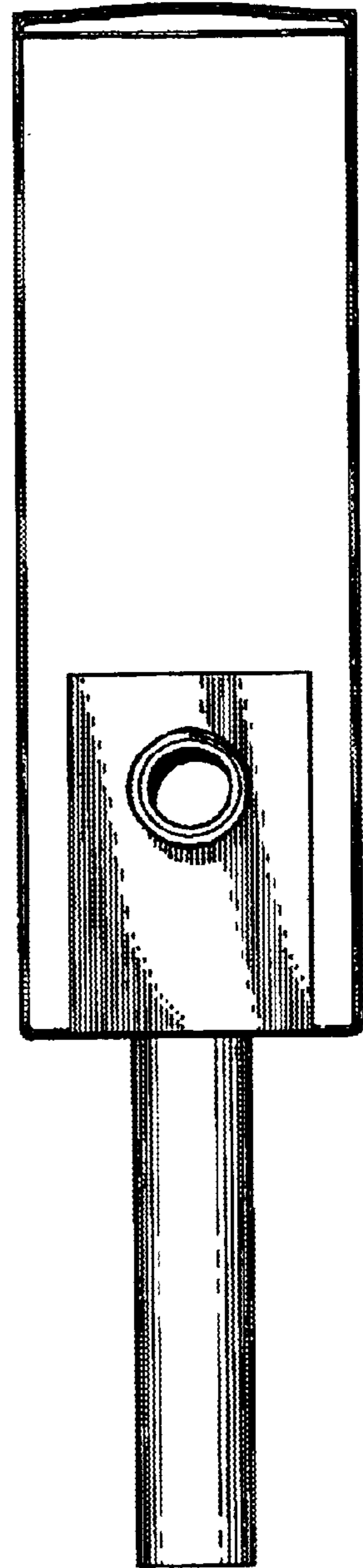


fig. 4

fig. 5

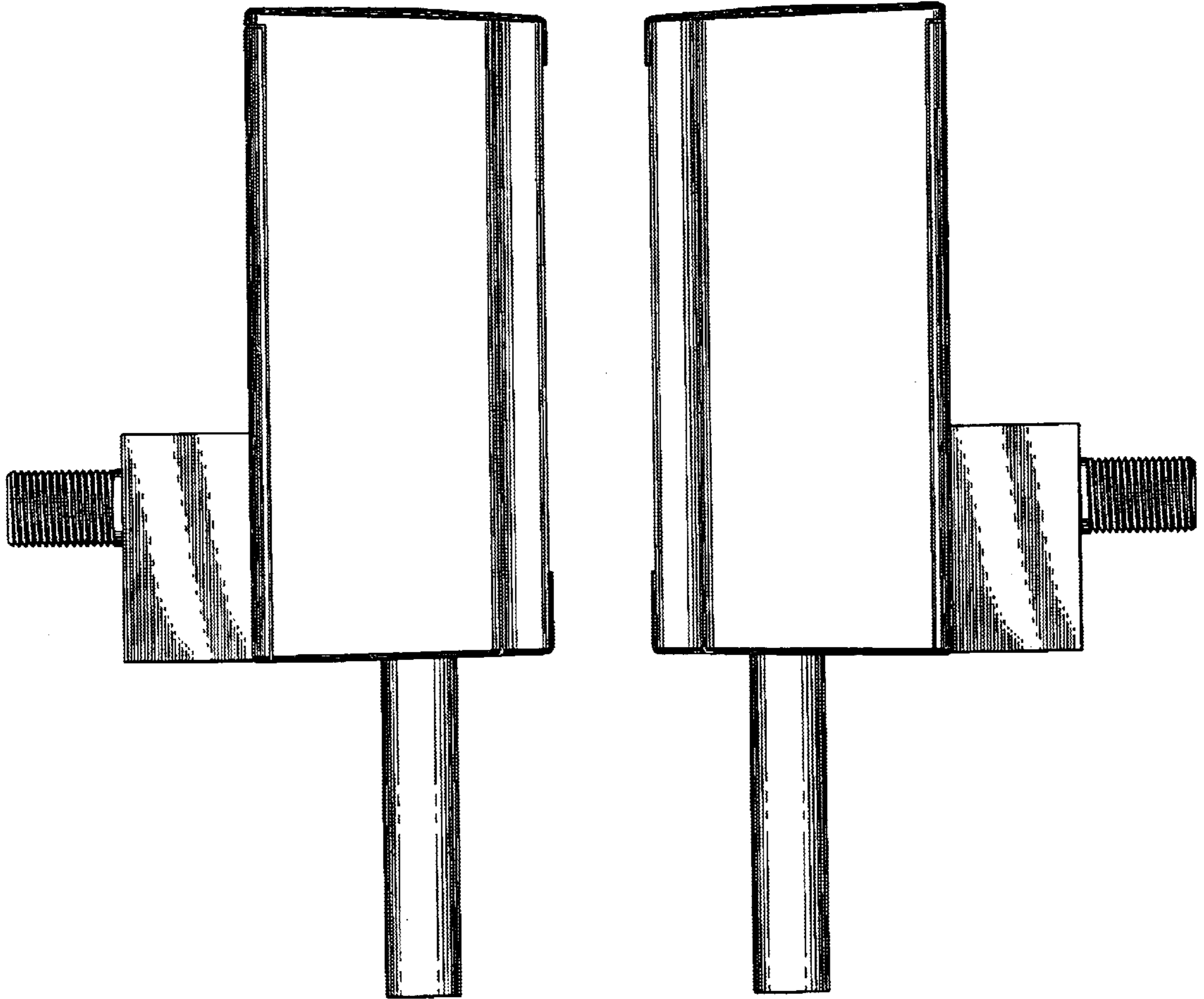


fig. 6

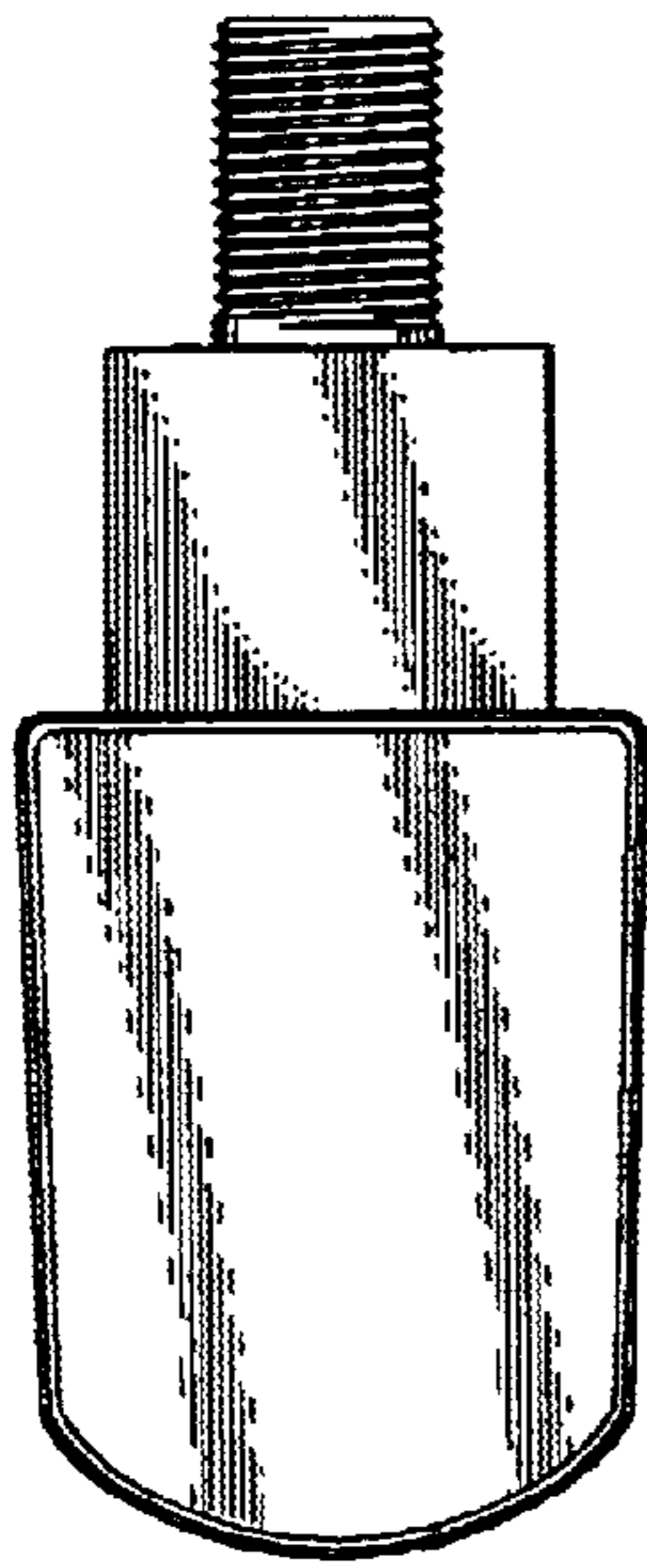


fig. 8

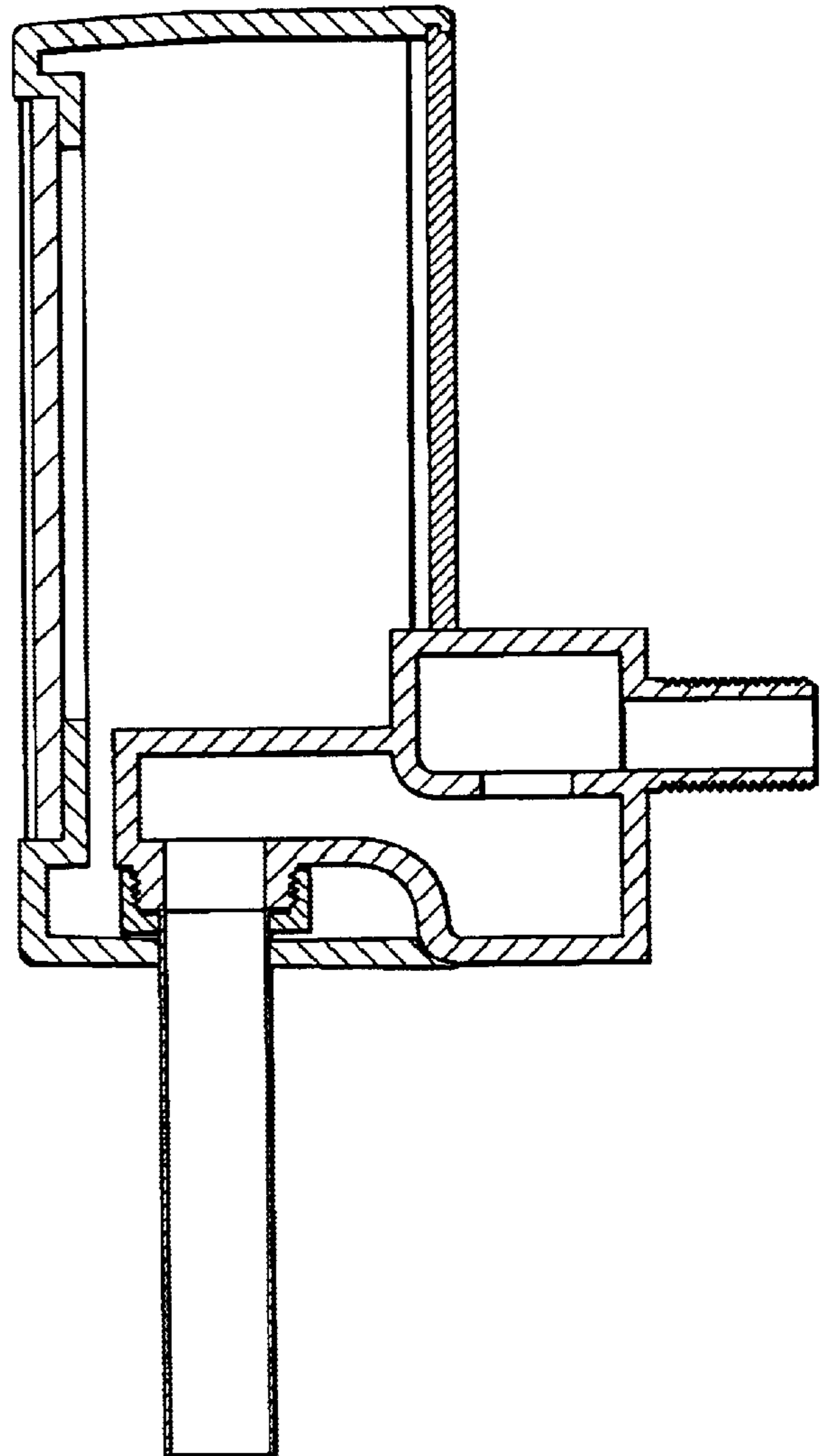
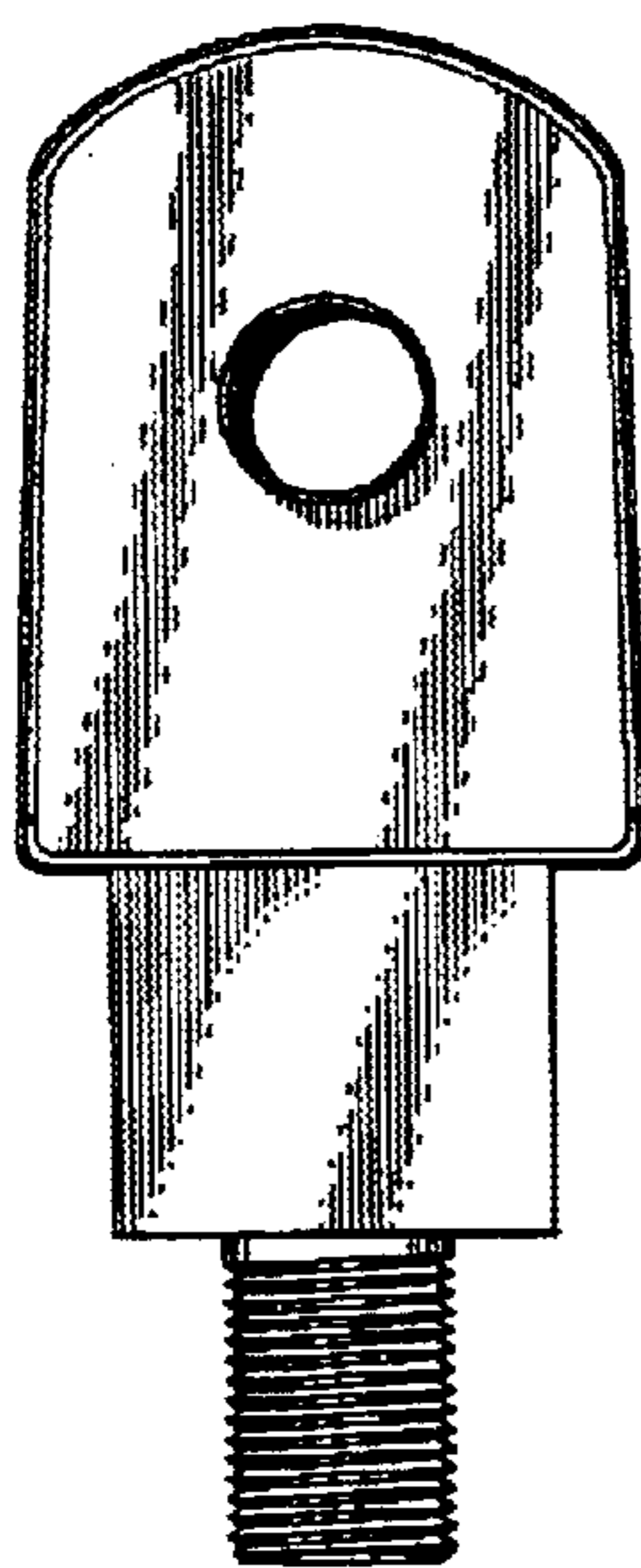


fig. 7



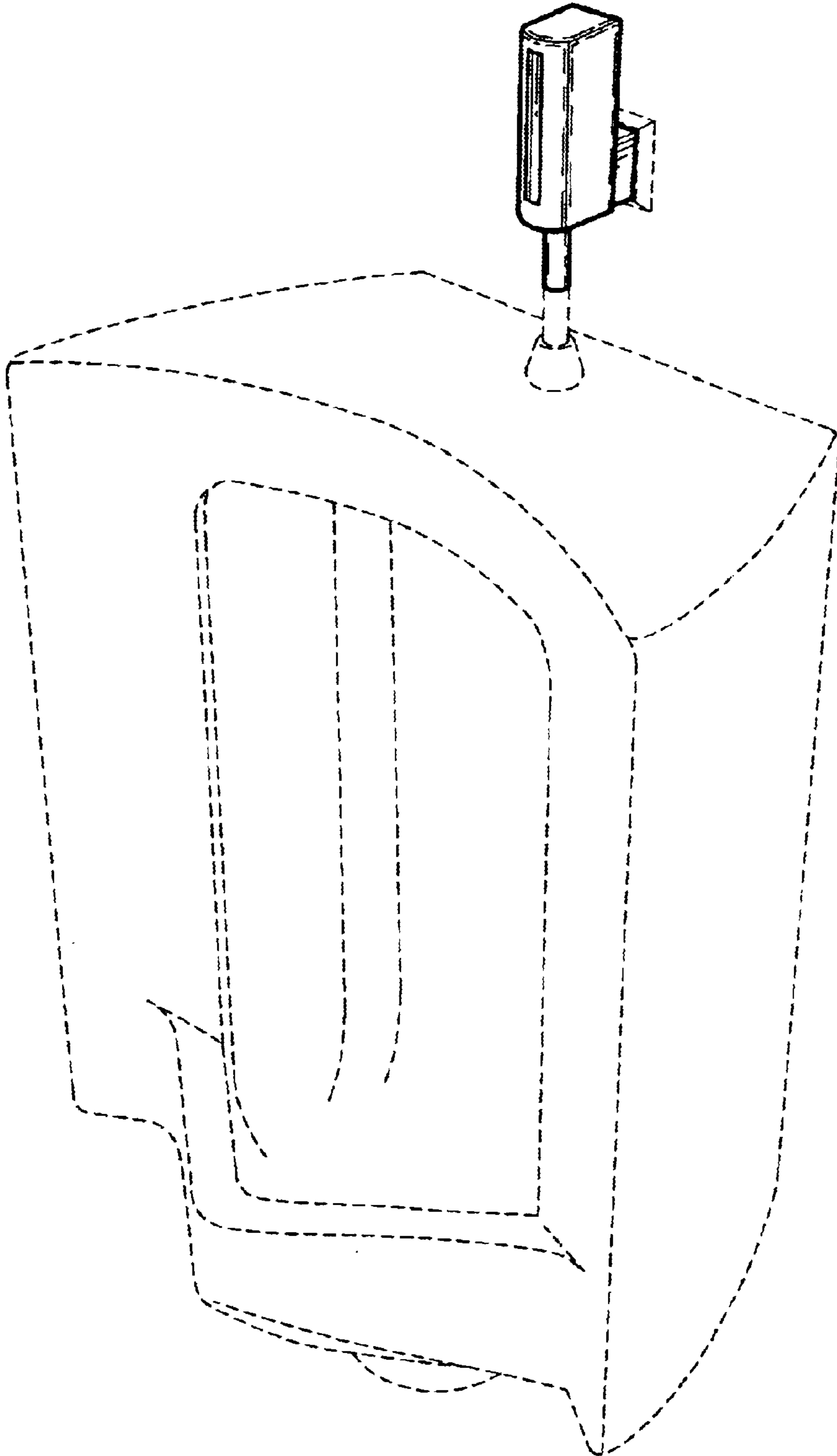


FIG.9