



US00D490506S

(12) **United States Design Patent**  
**Snyder**

(10) **Patent No.:** **US D490,506 S**

(45) **Date of Patent:** **\*\* May 25, 2004**

(54) **HANDLE FOR A DUCT DAMPER**

(75) **Inventor:** **Darryl L. Snyder, Canton, OH (US)**

(73) **Assignee:** **Snyder National Corporation, Canton, OH (US)**

(\*\*) **Term:** **14 Years**

(21) **Appl. No.:** **29/182,274**

(22) **Filed:** **May 21, 2003**

**Related U.S. Application Data**

(62) Division of application No. 29/164,494, filed on Jul. 24, 2002.

(51) **LOC (7) Cl.** ..... **23-04**

(52) **U.S. Cl.** ..... **D23/286**

(58) **Field of Search** ..... D23/286, 387, D23/388, 392, 393, 394, 421, 499; 52/473; 454/250, 237, 275, 277; 138/39, 44-45, 177-178, DIG. 11; 126/292-293, 307 R, 312, 307 A, 285 R

(56) **References Cited**

**U.S. PATENT DOCUMENTS**

72,261 A \* 12/1867 Anderson ..... 126/293  
846,542 A \* 3/1907 Albertson ..... 126/285 R  
946,018 A \* 1/1910 Cornwall ..... 126/292

1,119,041 A \* 12/1914 Raggio ..... 126/293 X  
1,282,811 A \* 10/1918 Goldberg ..... 126/285 R  
1,454,341 A \* 5/1923 Schwartz ..... 126/285 R X  
2,350,441 A \* 6/1944 Anderson ..... 126/285 R X  
D249,543 S \* 9/1978 Smith ..... D23/499  
4,350,142 A \* 9/1982 Beyer et al. .... 126/536  
4,491,124 A \* 1/1985 Goettel ..... 126/293  
D300,778 S \* 4/1989 Giannone ..... D23/393

\* cited by examiner

*Primary Examiner*—Louis S. Zarfaz

*Assistant Examiner*—Robert A. Delehanty

(74) *Attorney, Agent, or Firm*—Sand & Sebolt

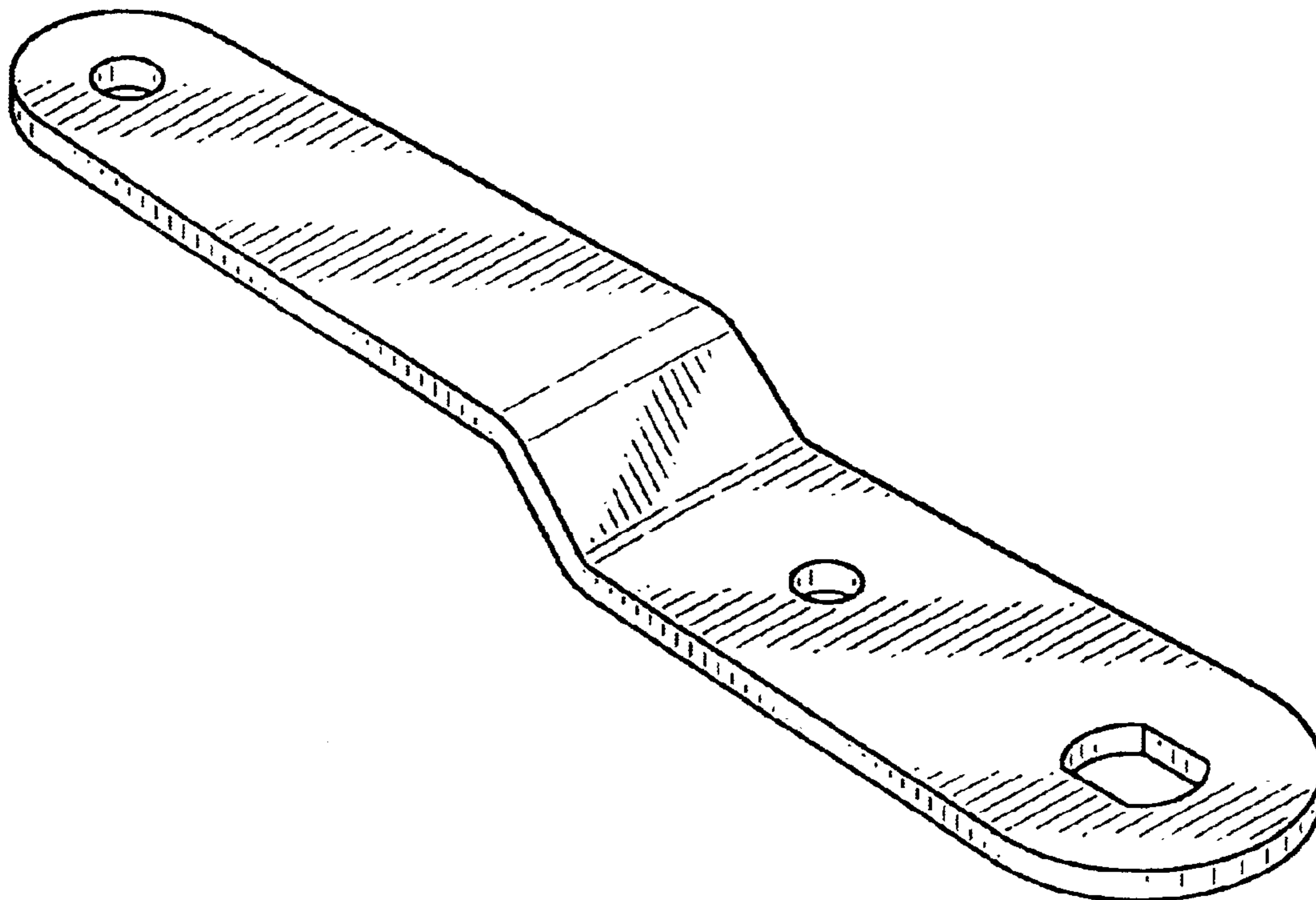
(57) **CLAIM**

The ornamental design for a handle for a duct damper, as shown and described.

**DESCRIPTION**

FIG. 1 is a perspective view of a third embodiment of the handle for a duct damper showing my new design.  
FIG. 2 is a front elevation view of the handle for a duct damper of FIG. 1.  
FIG. 3 is a rear elevation view of FIG. 2.  
FIG. 4 is a right side elevation view of FIG. 2.  
FIG. 5 is a left side elevation view of FIG. 2.  
FIG. 6 is a top plan view of FIG. 2; and,  
FIG. 7 is a bottom plan view of FIG. 2.

**1 Claim, 2 Drawing Sheets**



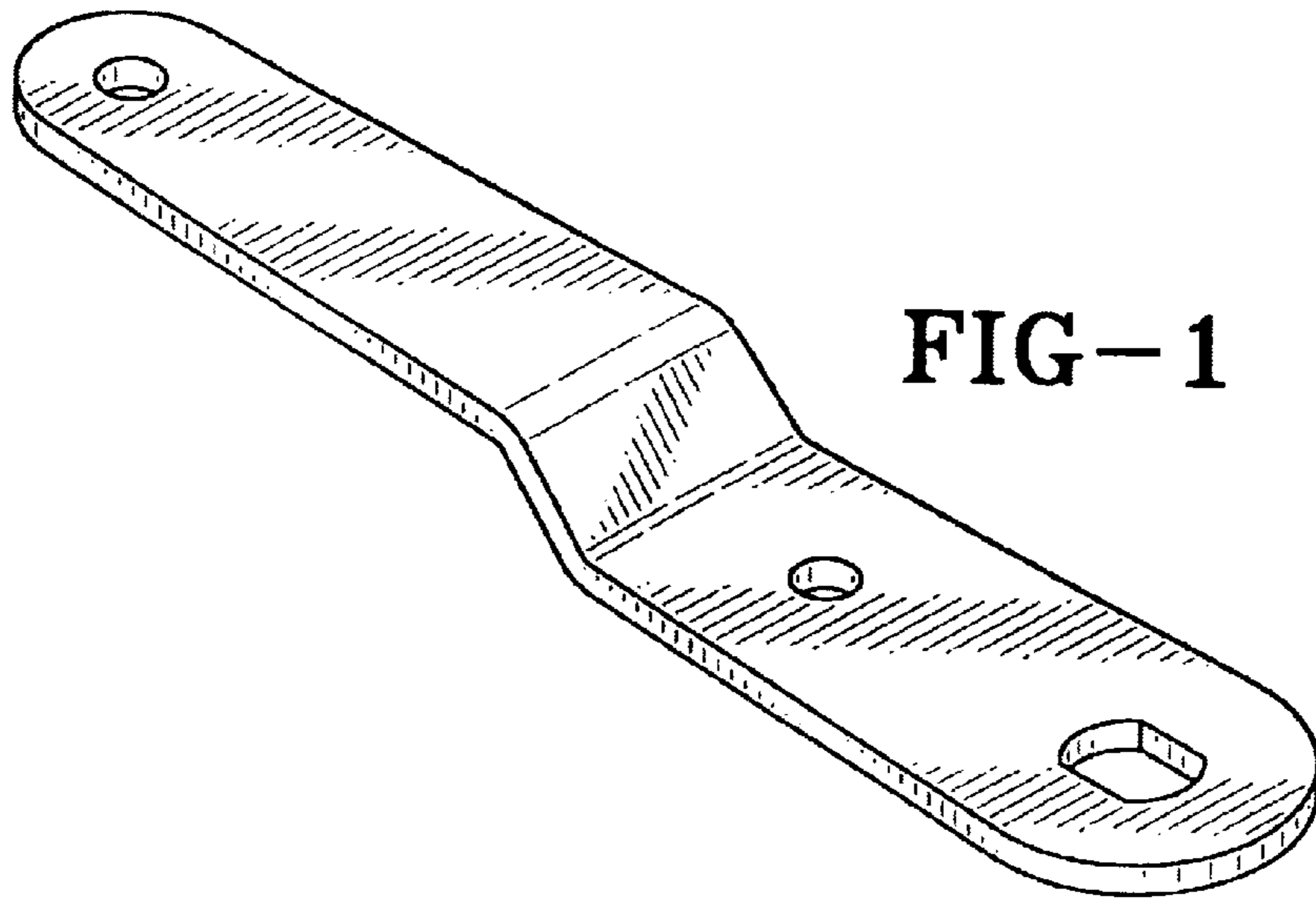


FIG-1

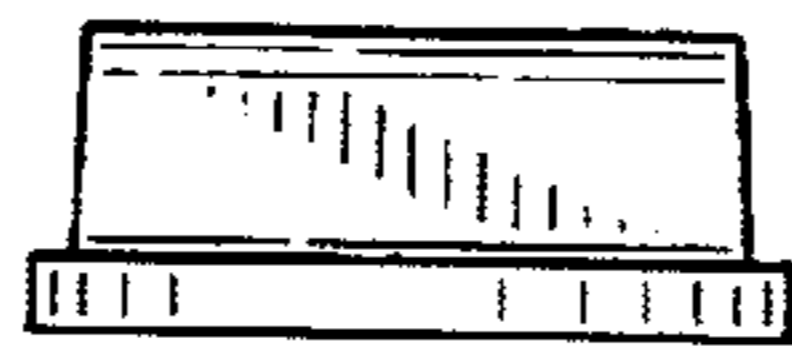


FIG-2

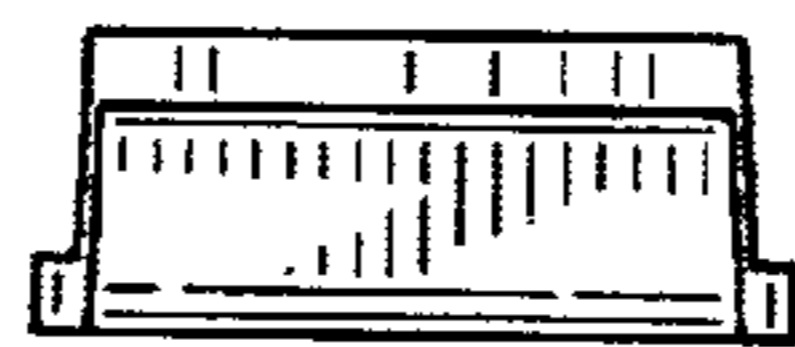


FIG-3



FIG-4



FIG-5

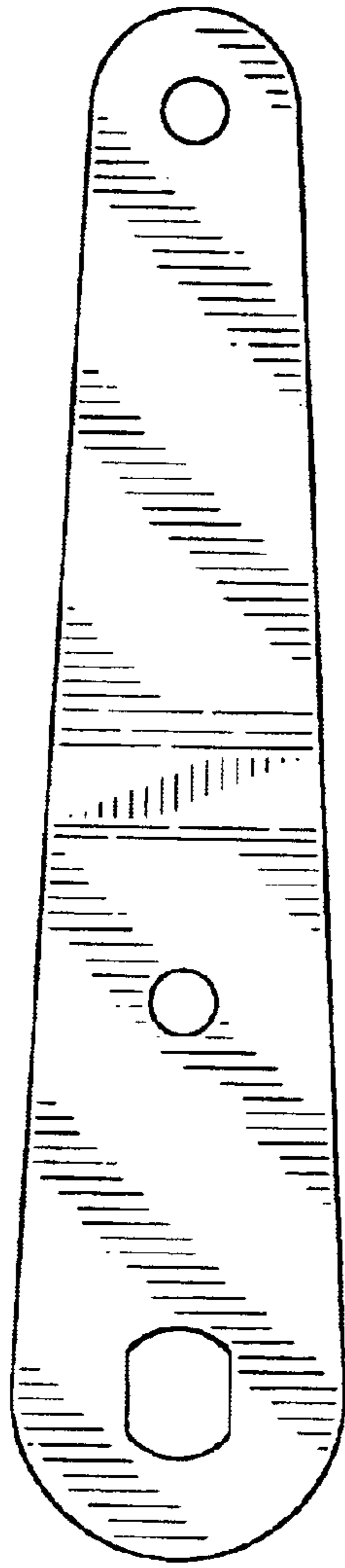


FIG-6

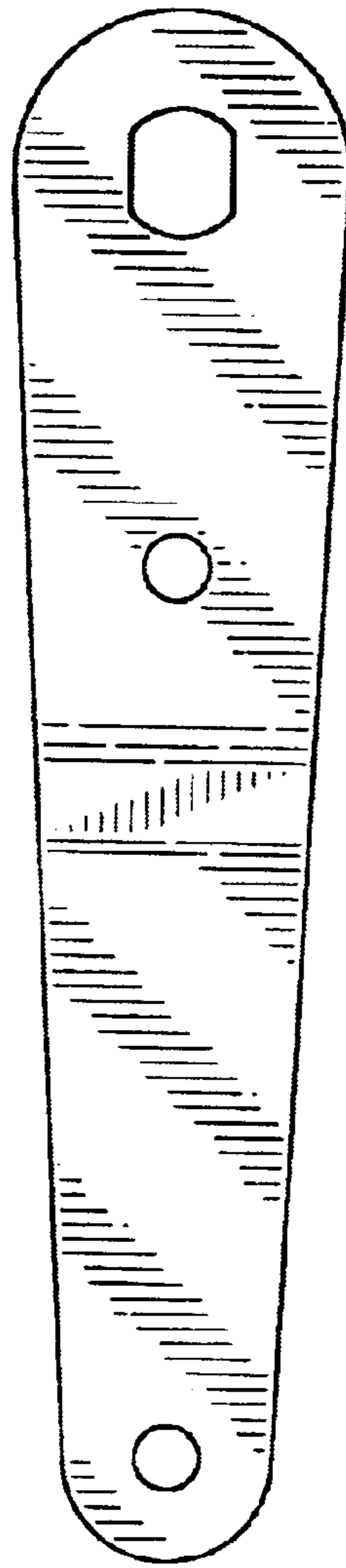


FIG-7