



US00D490505S

(12) **United States Design Patent**
Clivio

(10) **Patent No.:** **US D490,505 S**

(45) **Date of Patent:** **** May 25, 2004**

(54) **T-JOINT FOR WATERING SYSTEMS**

(75) Inventor: **Franco Clivio**, Erlenbach (CH)

(73) Assignee: **Gardena Manufacturing GmbH** (DE)

(**) Term: **14 Years**

(21) Appl. No.: **29/176,021**

(22) Filed: **Feb. 14, 2003**

(30) **Foreign Application Priority Data**

Aug. 15, 2002 (DE) 4 02 06 806

(51) **LOC (7) Cl.** **23-01**

(52) **U.S. Cl.** **D23/262**

(58) **Field of Search** D23/259, 262;
285/133.11, 133.5

(56) **References Cited**

U.S. PATENT DOCUMENTS

5,039,134	A	*	8/1991	Meadows et al.	285/24
5,104,150	A	*	4/1992	Bard et al.	285/12
5,299,839	A	*	4/1994	Mogavero	285/110
6,315,331	B1	*	11/2001	Krause et al.	285/133.11
D453,817	S	*	2/2002	Patteson et al.	D23/262
D454,940	S	*	3/2002	Hoening	D23/259

OTHER PUBLICATIONS

Gardena catalog "Handlerkatalog" 2002, published Oct. 2001, p. 30 and cover page.

Claber catalog "Gardenlife", 1999, p. 67 and cover page.

Rain Bird catalog "Garden Line" 2001, p. 31 and cover page.

Hazelock catalog 2001, one page and cover page.

* cited by examiner

Primary Examiner—Robin V. Taylor

(74) *Attorney, Agent, or Firm*—Akerman Senterfitt

(57) **CLAIM**

The ornamental design for a T-joint for watering systems, as shown and described.

DESCRIPTION

FIG. 1: is a side perspective view of the T-joint for watering systems showing my new design;

FIG. 2: is a top plan view thereof;

FIG. 3: is a front elevation view thereof;

FIG. 4: is a bottom plan view thereof;

FIG. 5: is a side elevation view thereof (the opposite side being a mirror image); and,

FIG. 6: is a rear elevation view thereof.

1 Claim, 3 Drawing Sheets

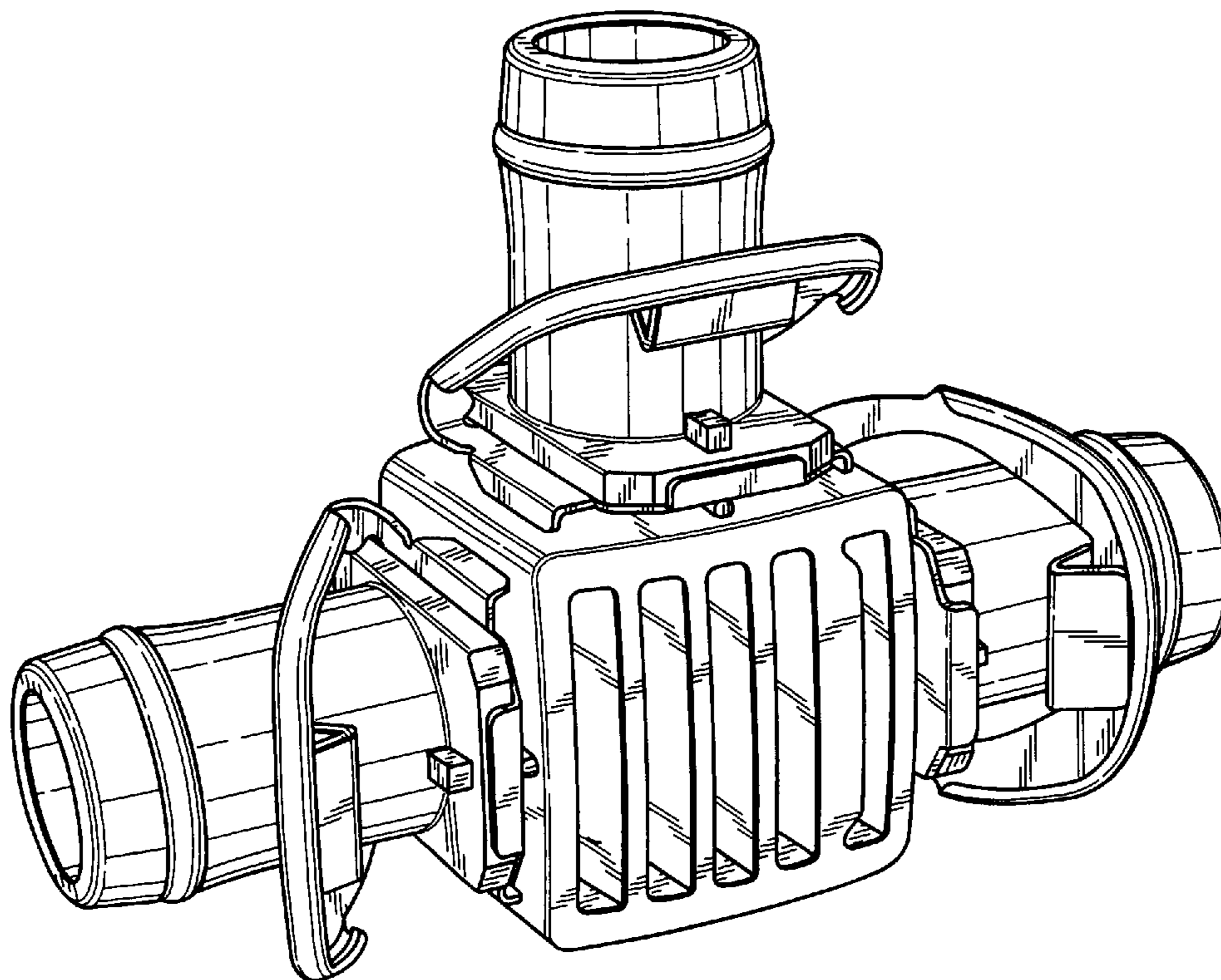


FIG. 1

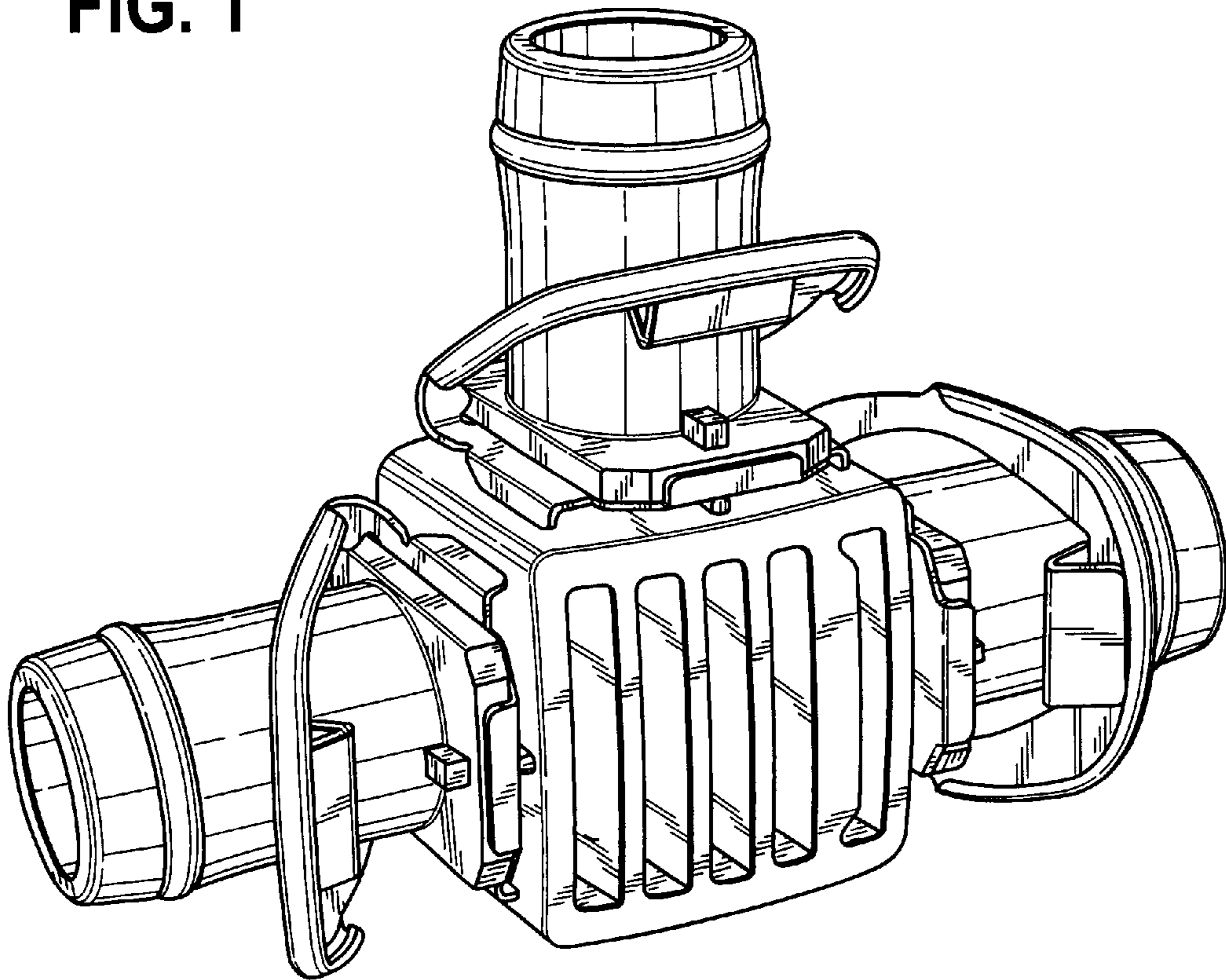


FIG. 2

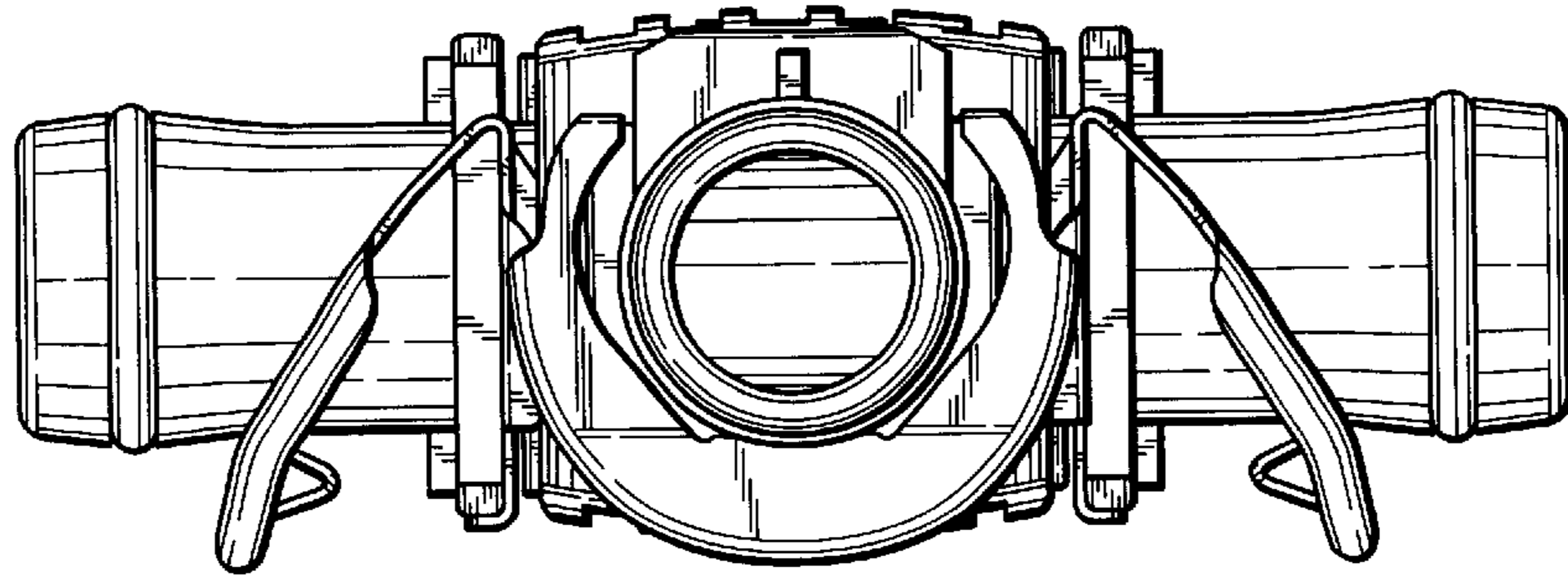


FIG. 3

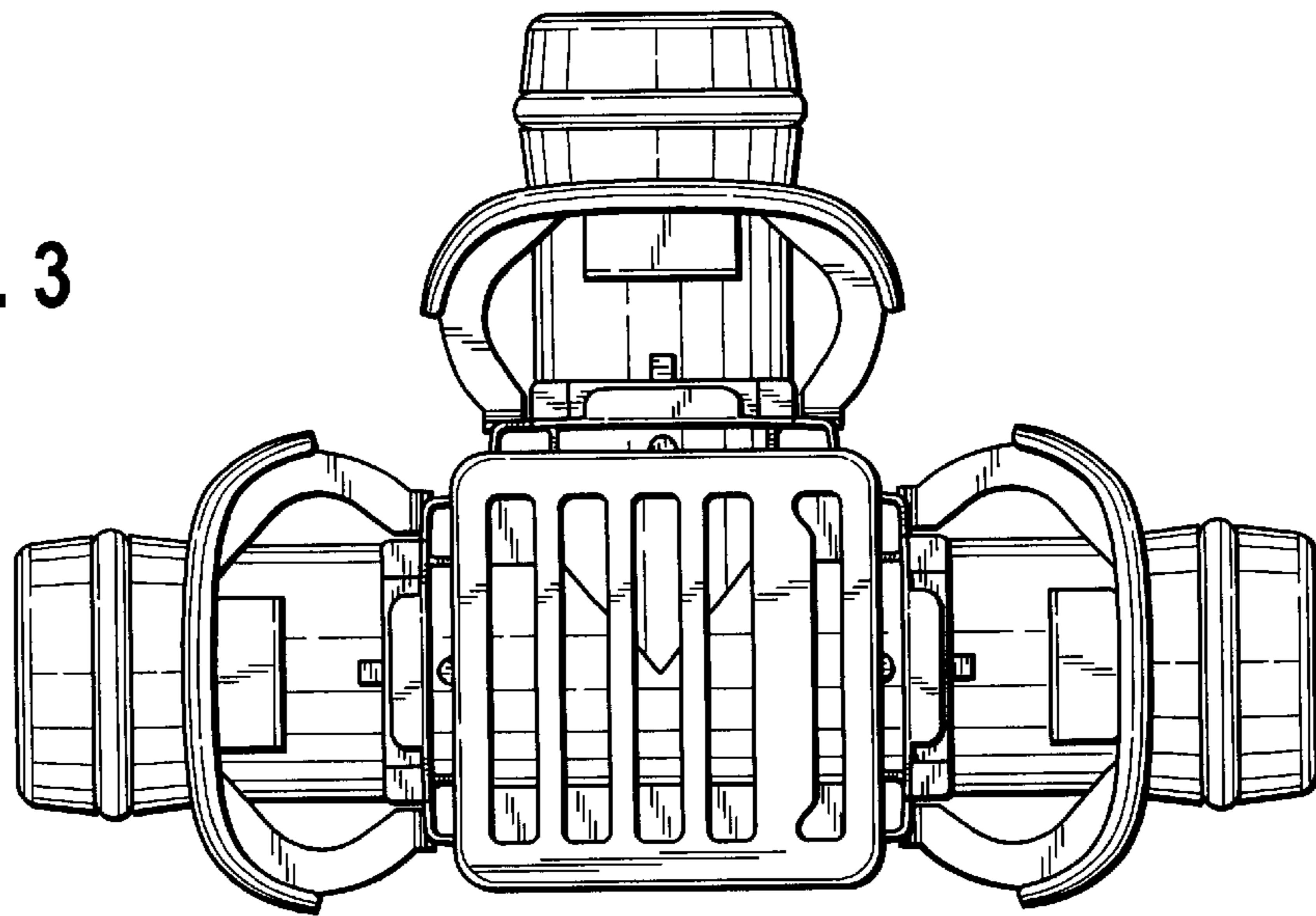
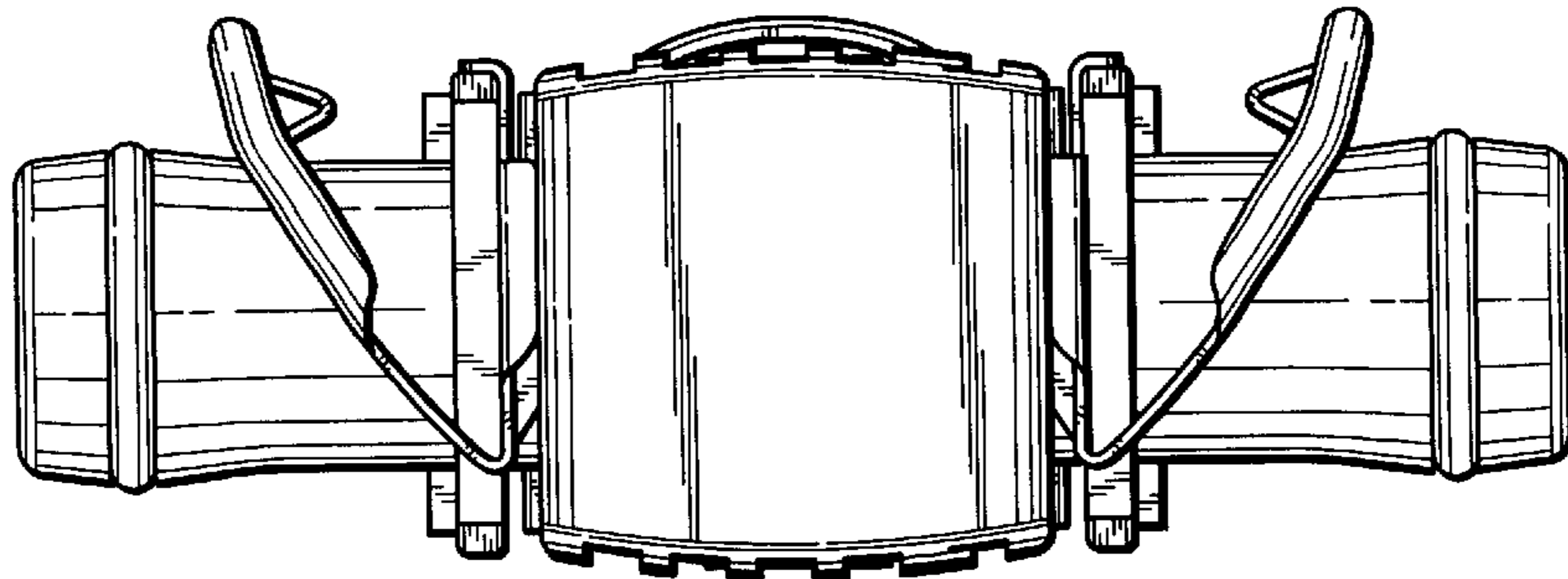


FIG. 4



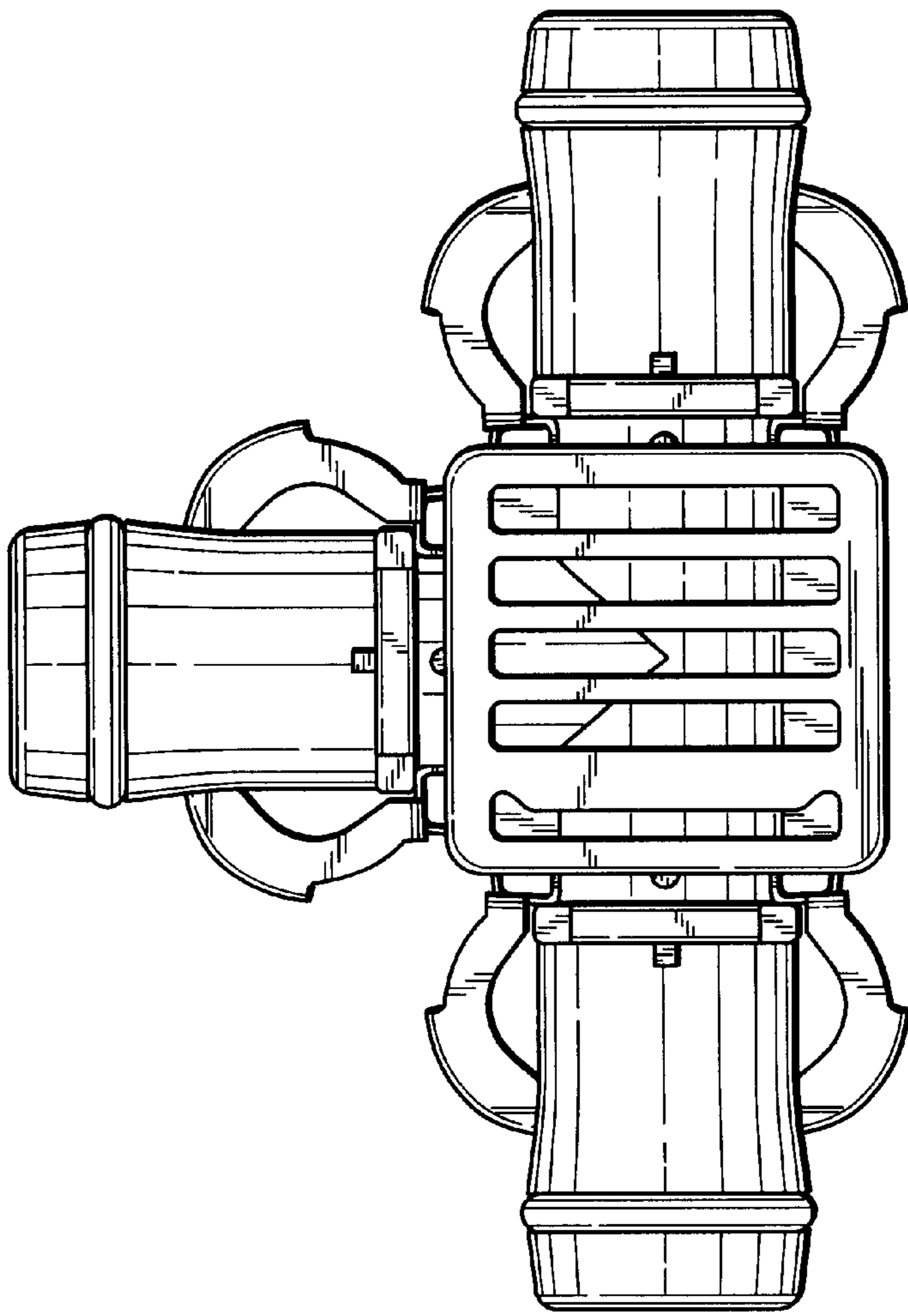


FIG. 6

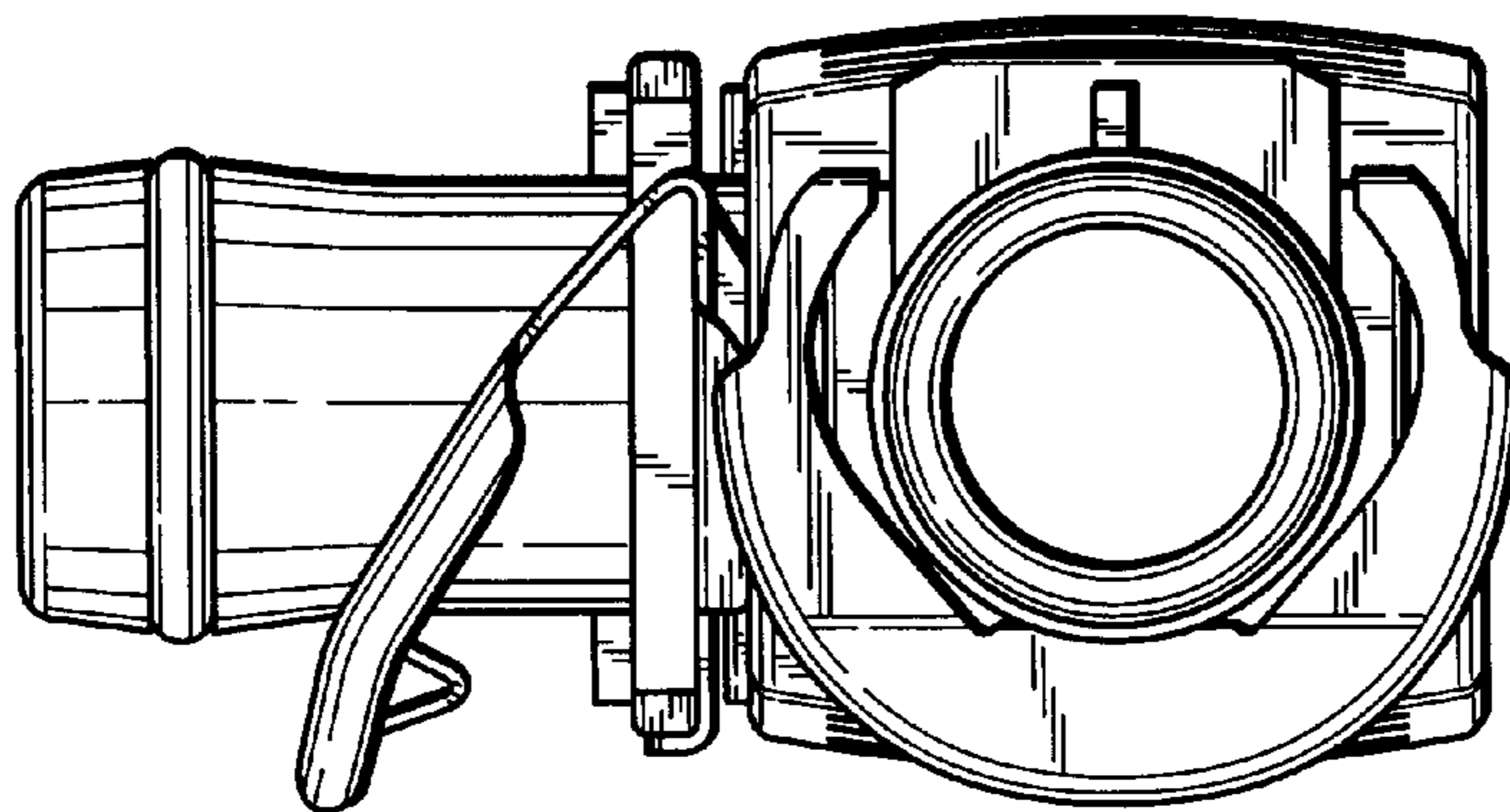


FIG. 5