



US00D490503S

(12) **United States Design Patent**  
**Fraser et al.**

(10) **Patent No.:** **US D490,503 S**

(45) **Date of Patent:** **\*\* May 25, 2004**

(54) **SINK FAUCET**

(75) Inventors: **Simon Fraser**, Wellington (NZ);  
**Ferdinand Alexander Porsche**, Gries  
(AT); **Christian Schwamkrug**, Zell am  
See (AT)

(73) Assignee: **Friedrich Grohe AG & Co. KG**,  
Hemer (DE)

(\*\*) Term: **14 Years**

(21) Appl. No.: **29/179,693**

(22) Filed: **Apr. 14, 2003**

(30) **Foreign Application Priority Data**

Nov. 15, 2002 (DE) ..... 402 09 502

(51) **LOC (7) Cl.** ..... **23-01**

(52) **U.S. Cl.** ..... **D23/255; D23/238**

(58) **Field of Search** ..... **D23/238-257;**  
**4/675-678; 137/801**

(56) **References Cited**

**U.S. PATENT DOCUMENTS**

D285,597 S \* 9/1986 Miller et al. .... D23/241

D440,633 S \* 4/2001 Fleischmann ..... D23/238  
D466,196 S \* 11/2002 Otero et al. .... D23/255  
D477,054 S \* 7/2003 Schonherr et al. .... D23/242  
D482,760 S \* 11/2003 Fraser et al. .... D23/252

\* cited by examiner

*Primary Examiner*—Louis S. Zarfes

*Assistant Examiner*—Gregory Andoll

(74) *Attorney, Agent, or Firm*—Herbert Dubno

(57) **CLAIM**

The ornamental design for a sink faucet, as shown.

**DESCRIPTION**

FIG. 1 is a top, front, left-side perspective view of a sink faucet showing our new design;

FIG. 2 is a left side elevational view thereof;

FIG. 3 is a bottom plan view thereof;

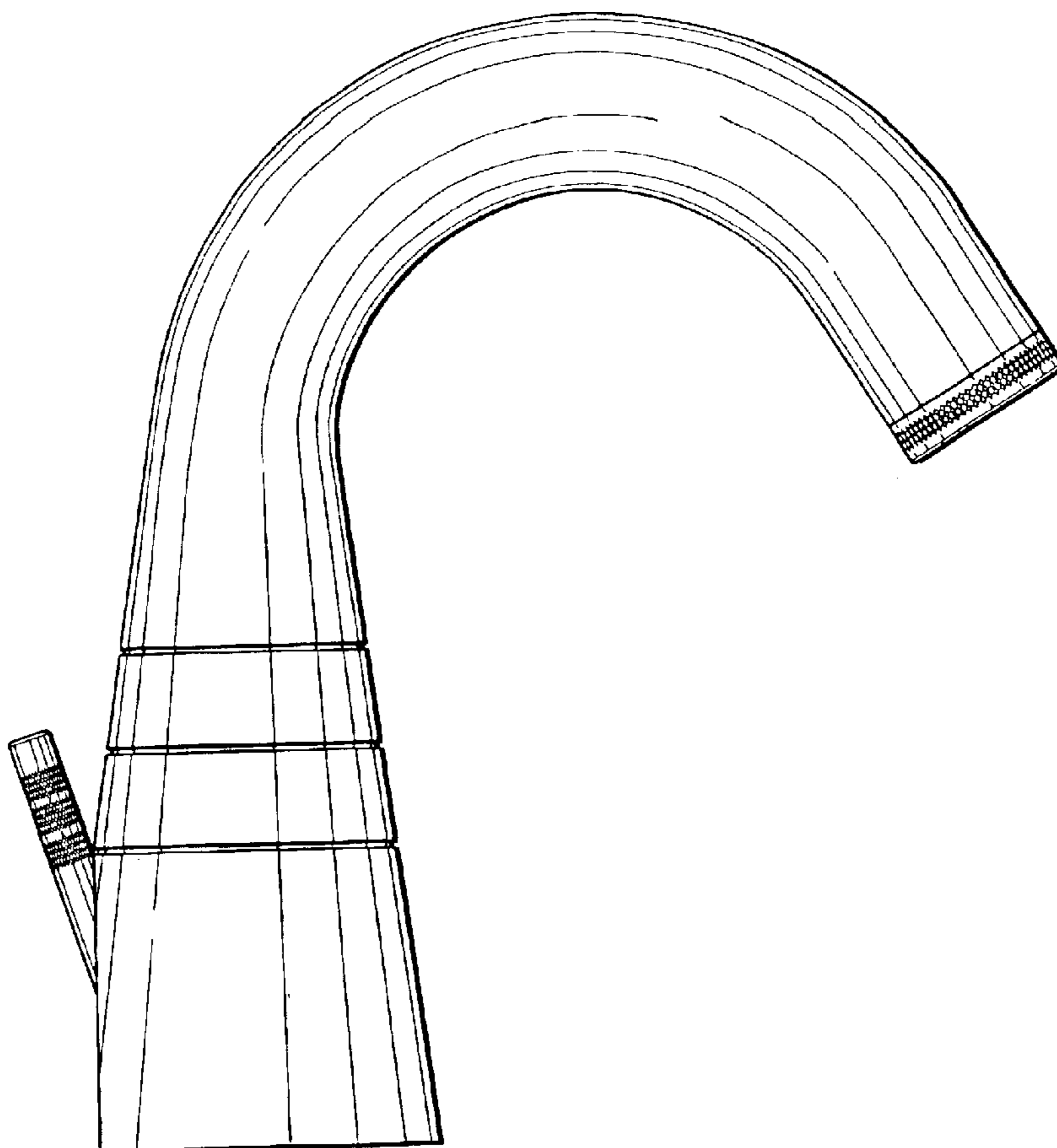
FIG. 4 is a top plan view thereof;

FIG. 5 is a left side elevational view thereof;

FIG. 6 is a front elevational view thereof; and,

FIG. 7 is a rear elevational view thereof.

**1 Claim, 4 Drawing Sheets**



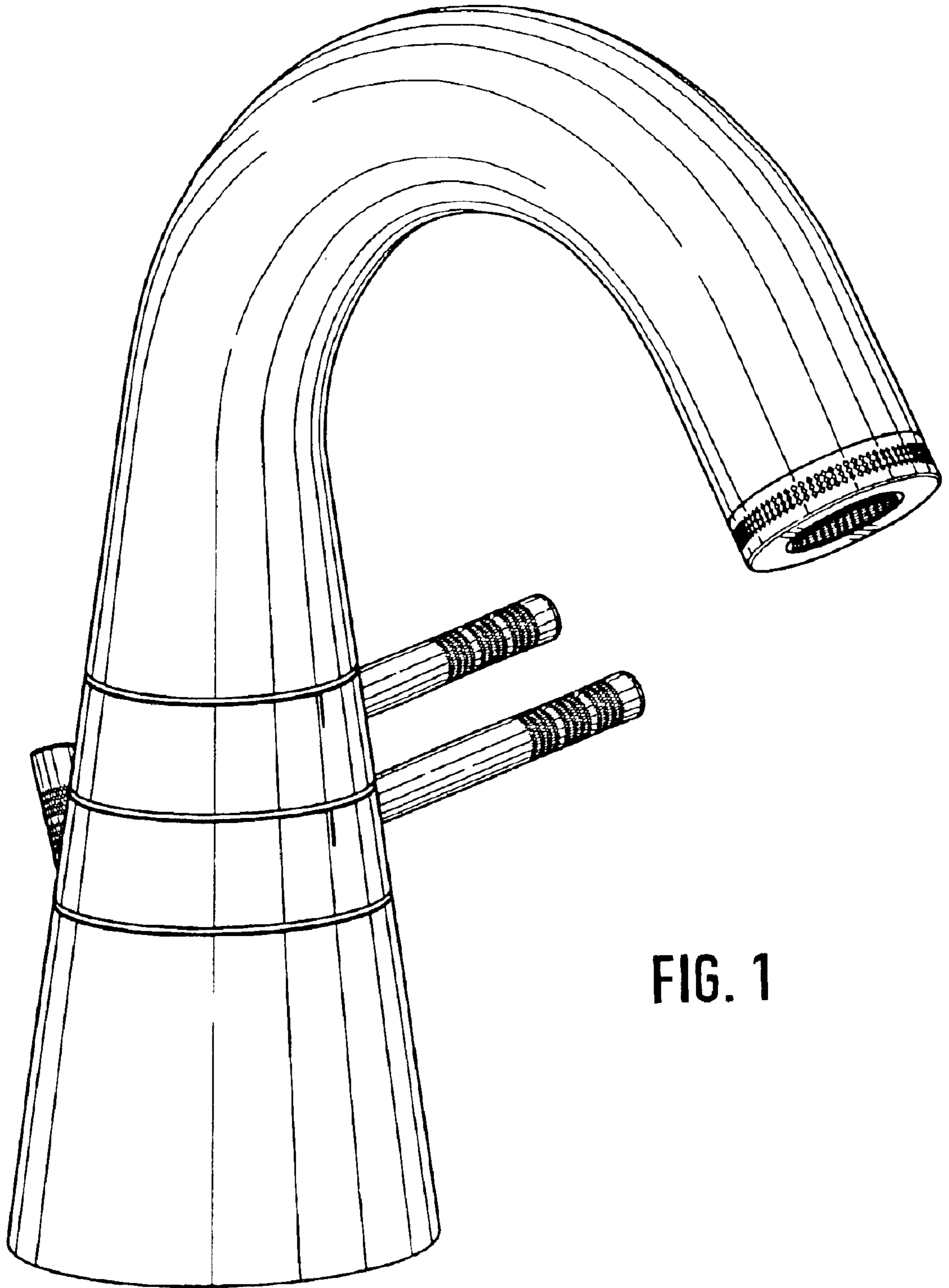


FIG. 1

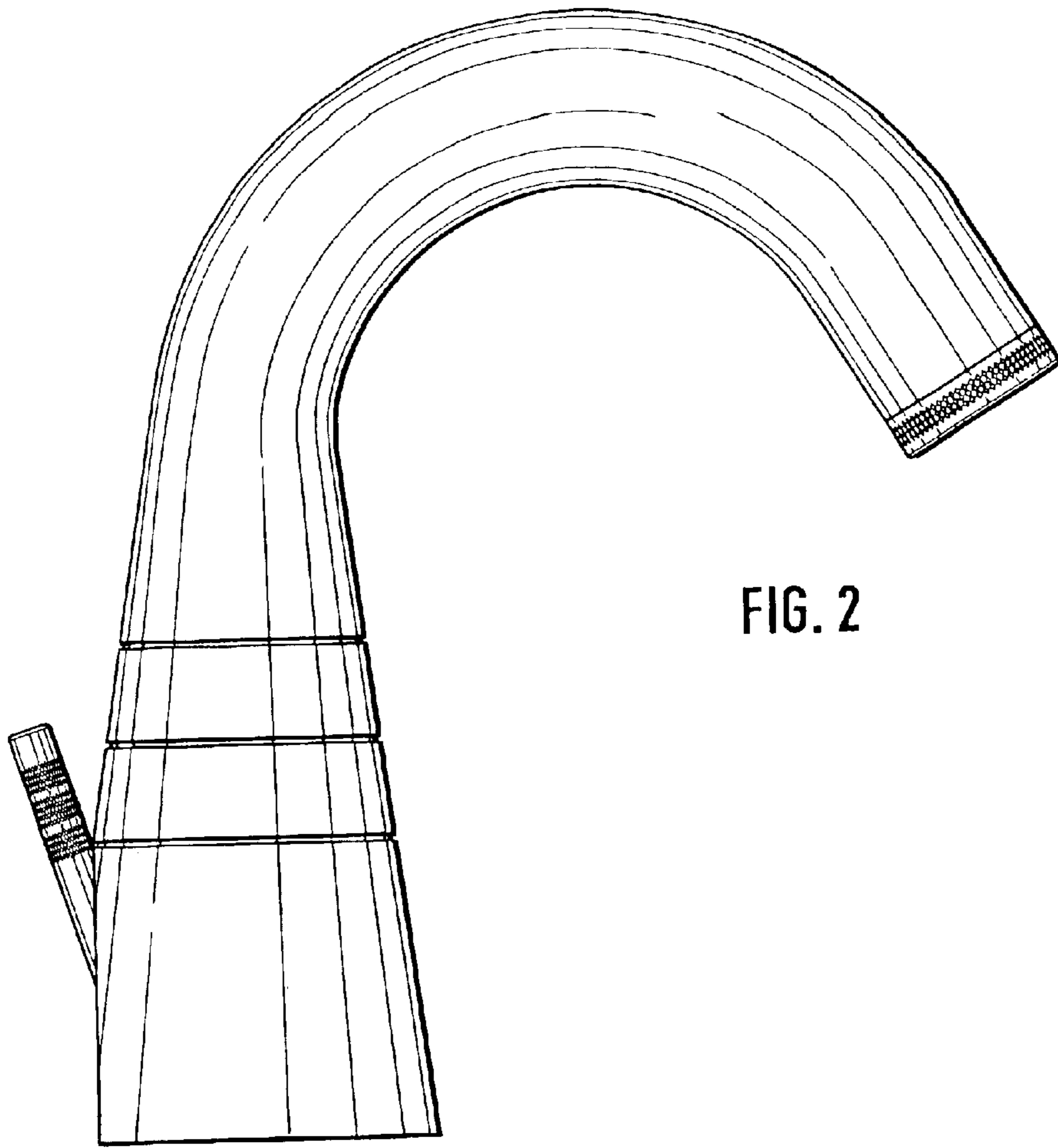


FIG. 2

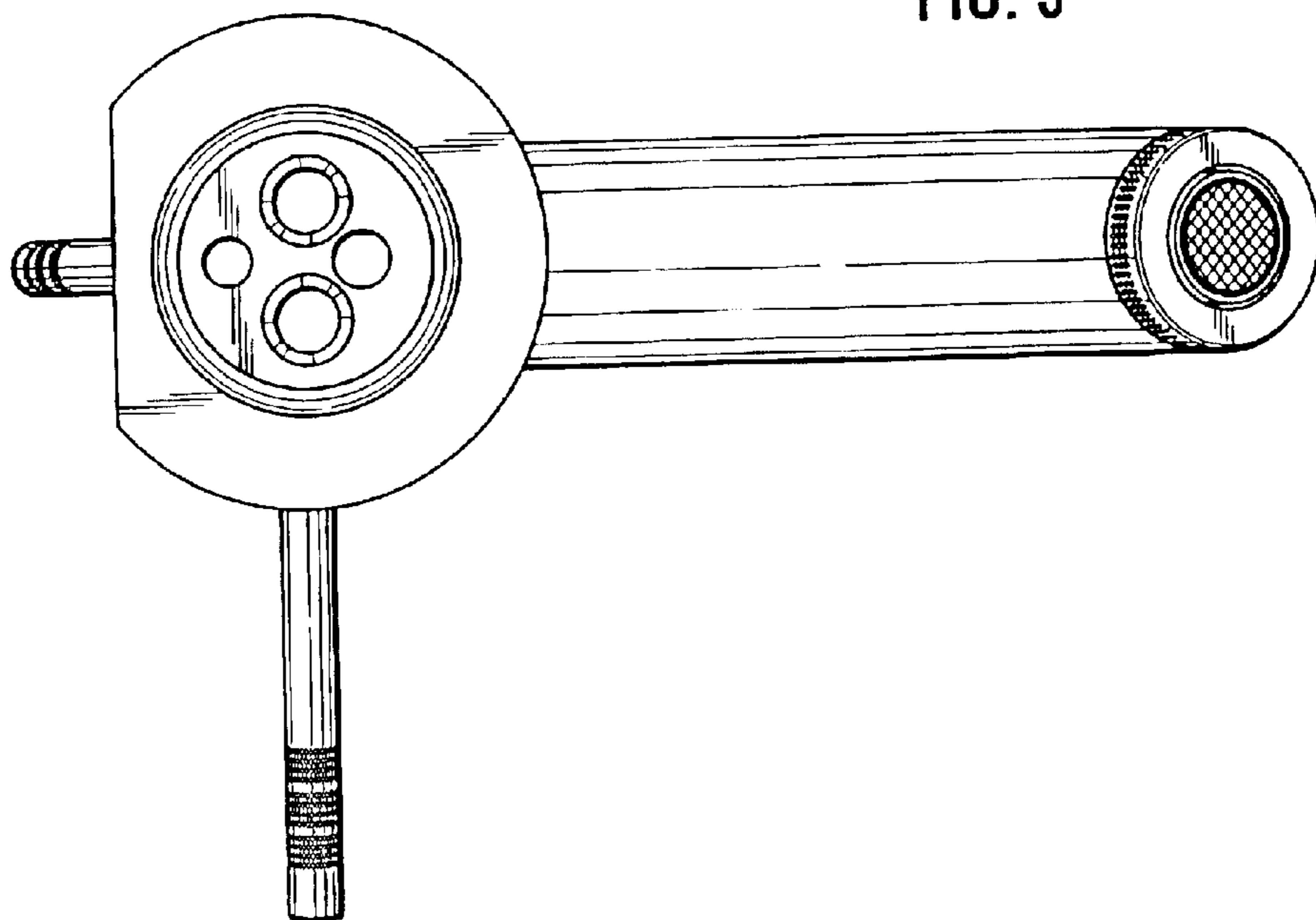


FIG. 3

FIG. 4

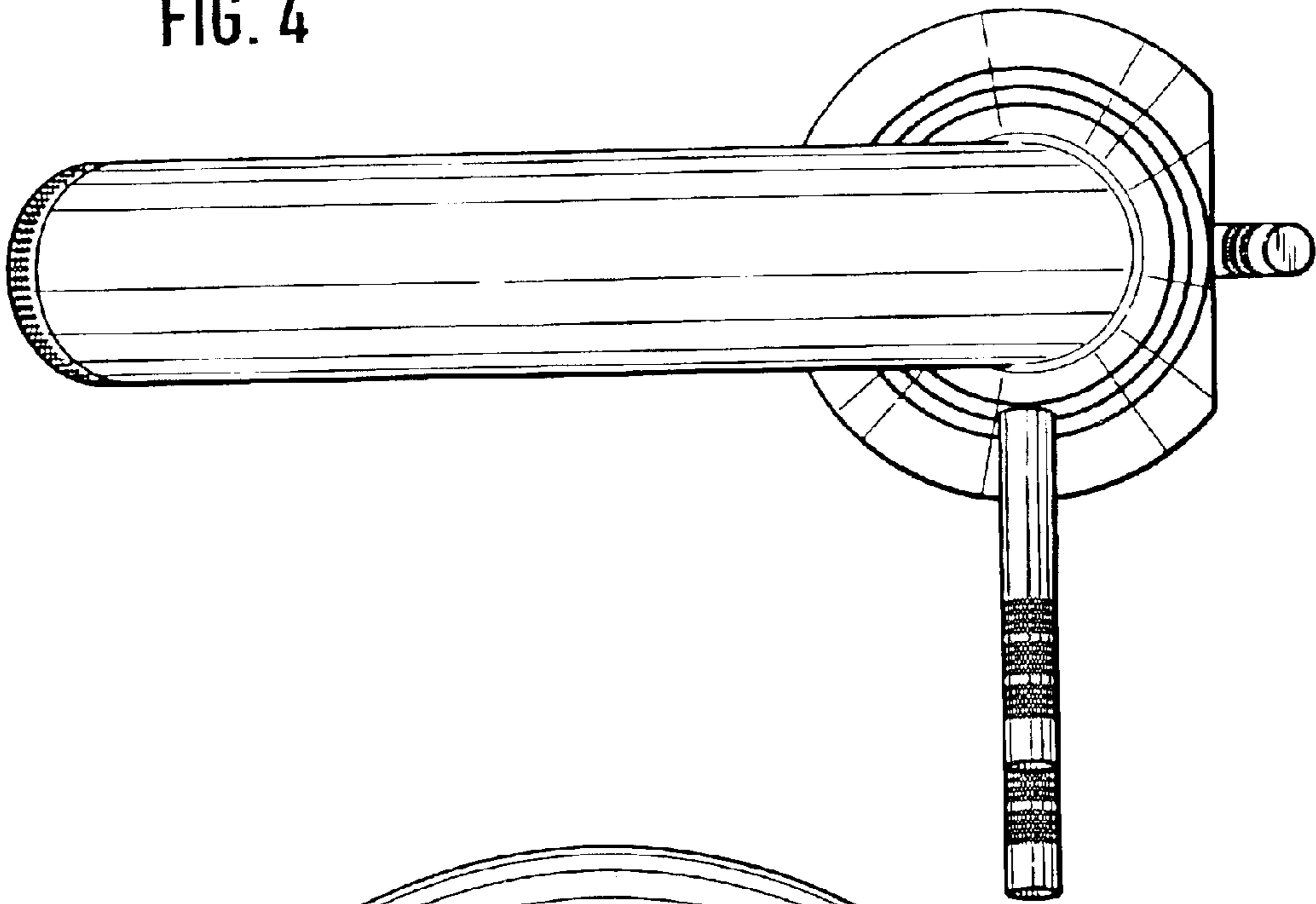
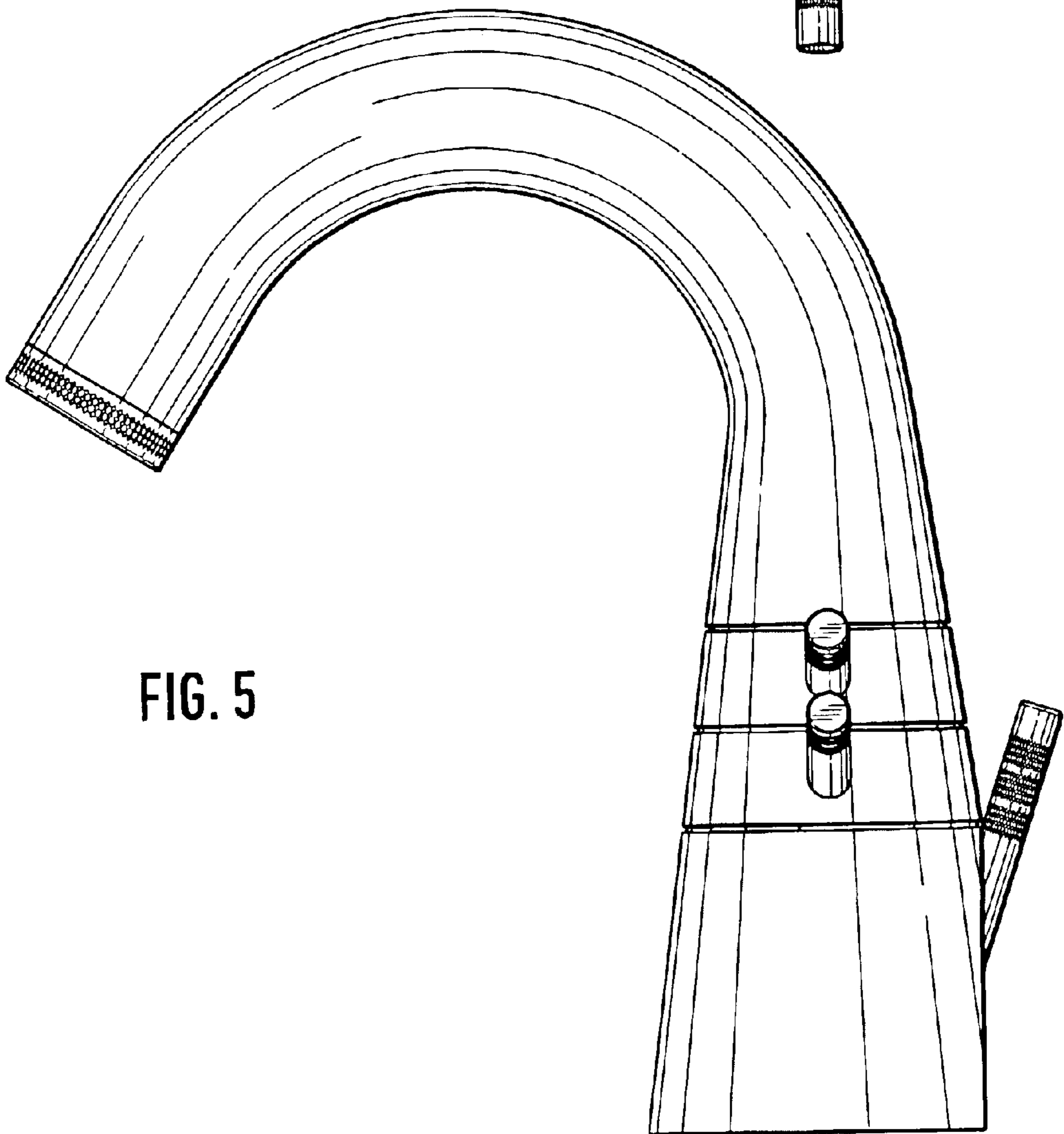


FIG. 5



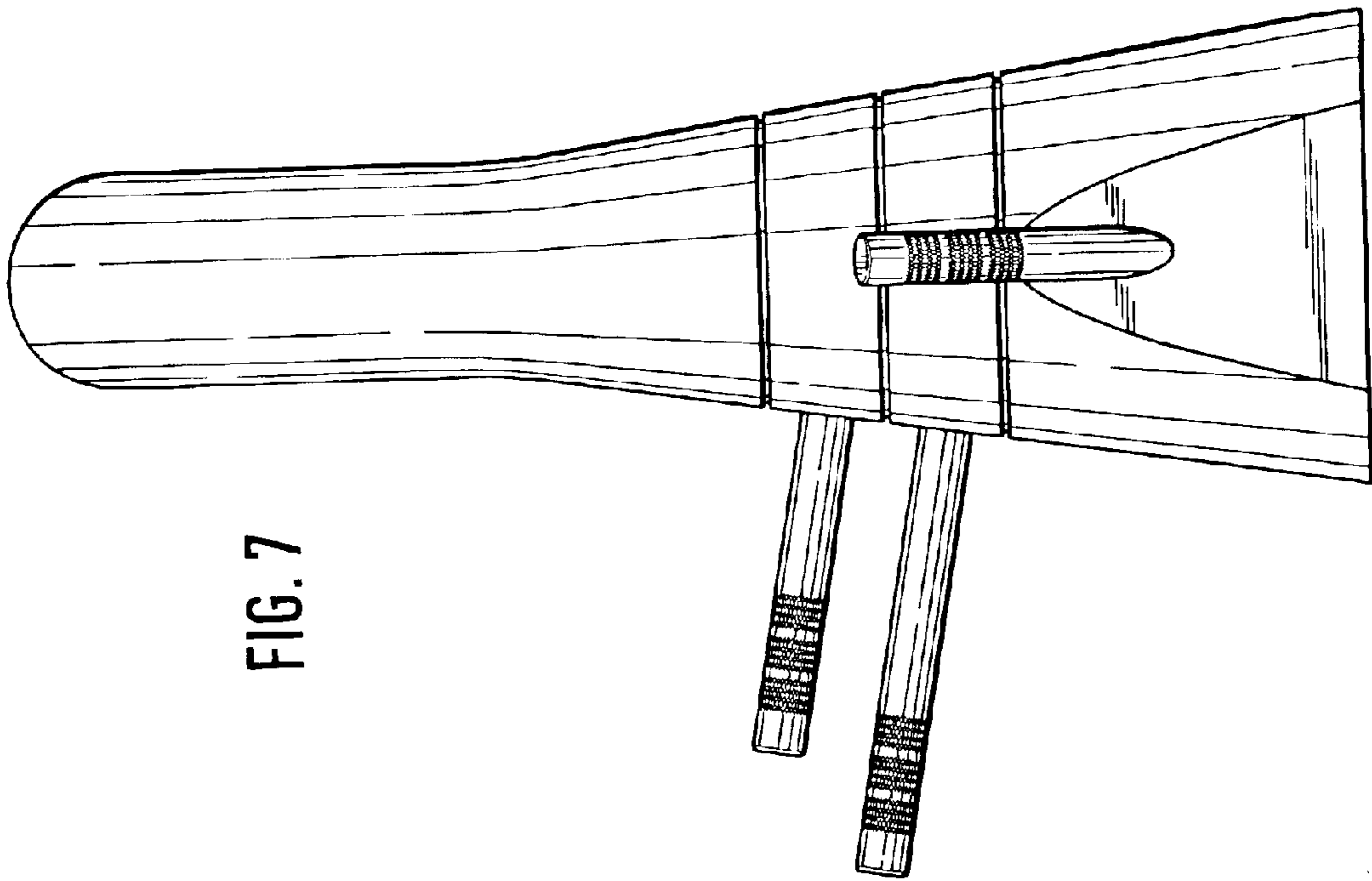


FIG. 7

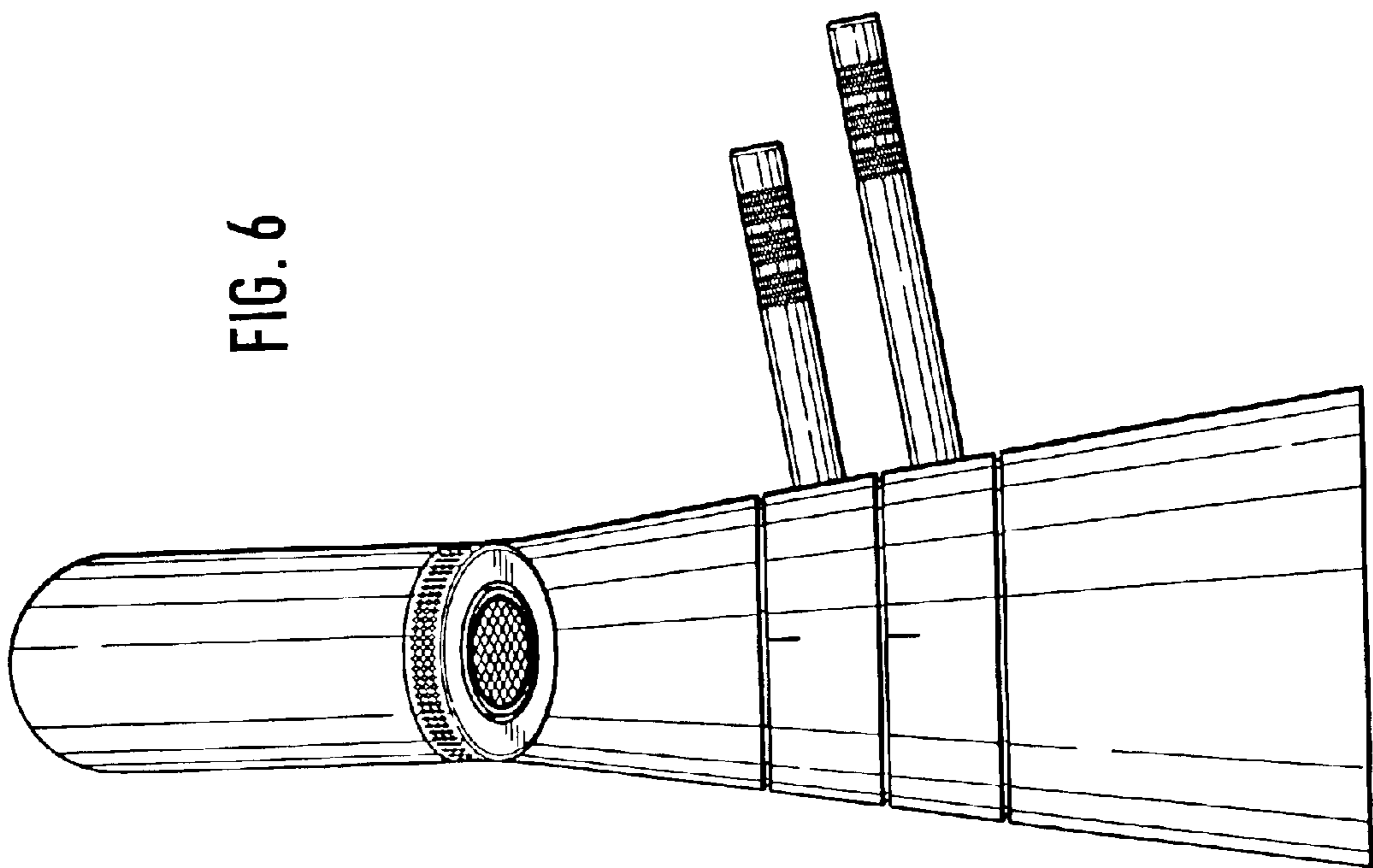


FIG. 6