



US00D490502S

(12) **United States Design Patent**
Ouyoung

(10) **Patent No.:** **US D490,502 S**

(45) **Date of Patent:** **** May 25, 2004**

(54) **FAUCET HANDLE**

D474,957 S * 5/2003 Singtoroj et al. D8/301

(75) Inventor: **Scott Ouyoung**, Taichung (TW)

* cited by examiner

(73) Assignee: **Globe Union Industrial Corp.**,
Taichung (TW)

Primary Examiner—Louis S. Zarfes

Assistant Examiner—Gregory Andoll

(74) *Attorney, Agent, or Firm*—Leong C. Lei

(**) Term: **14 Years**

(57) **CLAIM**

(21) Appl. No.: **29/174,799**

The ornamental design for a faucet handle, as shown and described.

(22) Filed: **Jan. 27, 2003**

DESCRIPTION

(51) **LOC (7) Cl.** **23-01**

(52) **U.S. Cl.** **D23/252**

(58) **Field of Search** D23/238–243,
D23/245, 250–257; D8/300–322, 350–353,
DIG. 3; 16/110.1; 4/675–678; 137/801

FIG. 1 is perspective view of a faucet handle showing my new design;

FIG. 2 is a front side elevation view thereof;

FIG. 3 is a left side elevation view thereof;

FIG. 4 is a right side elevation view thereof;

FIG. 5 is a rear side elevation view thereof;

FIG. 6 is a top plan view thereof; and,

FIG. 7 is a bottom plan view thereof.

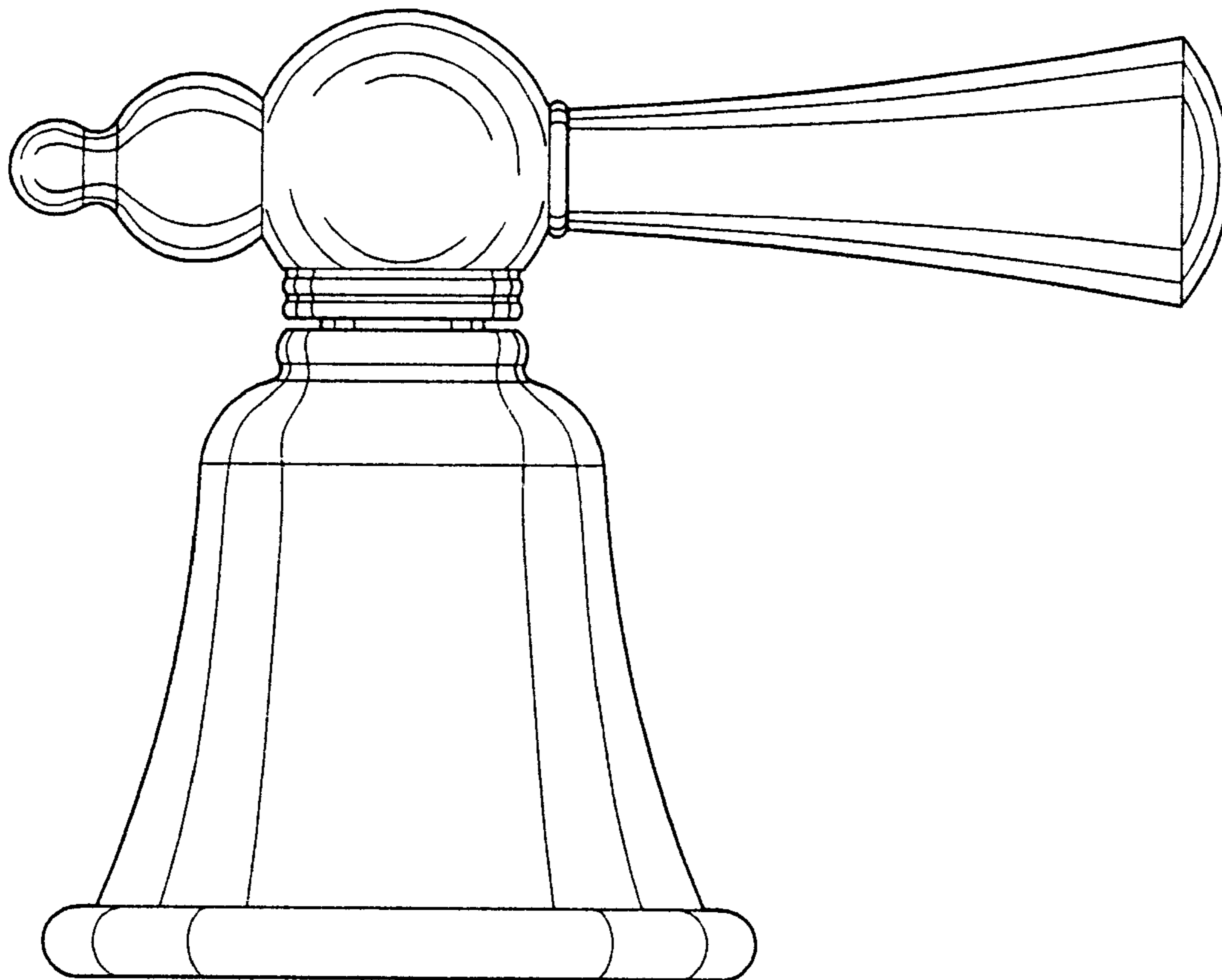
(56) **References Cited**

U.S. PATENT DOCUMENTS

D371,826 S * 7/1996 Robbins D23/252

D463,533 S * 9/2002 Ko D23/242

1 Claim, 4 Drawing Sheets



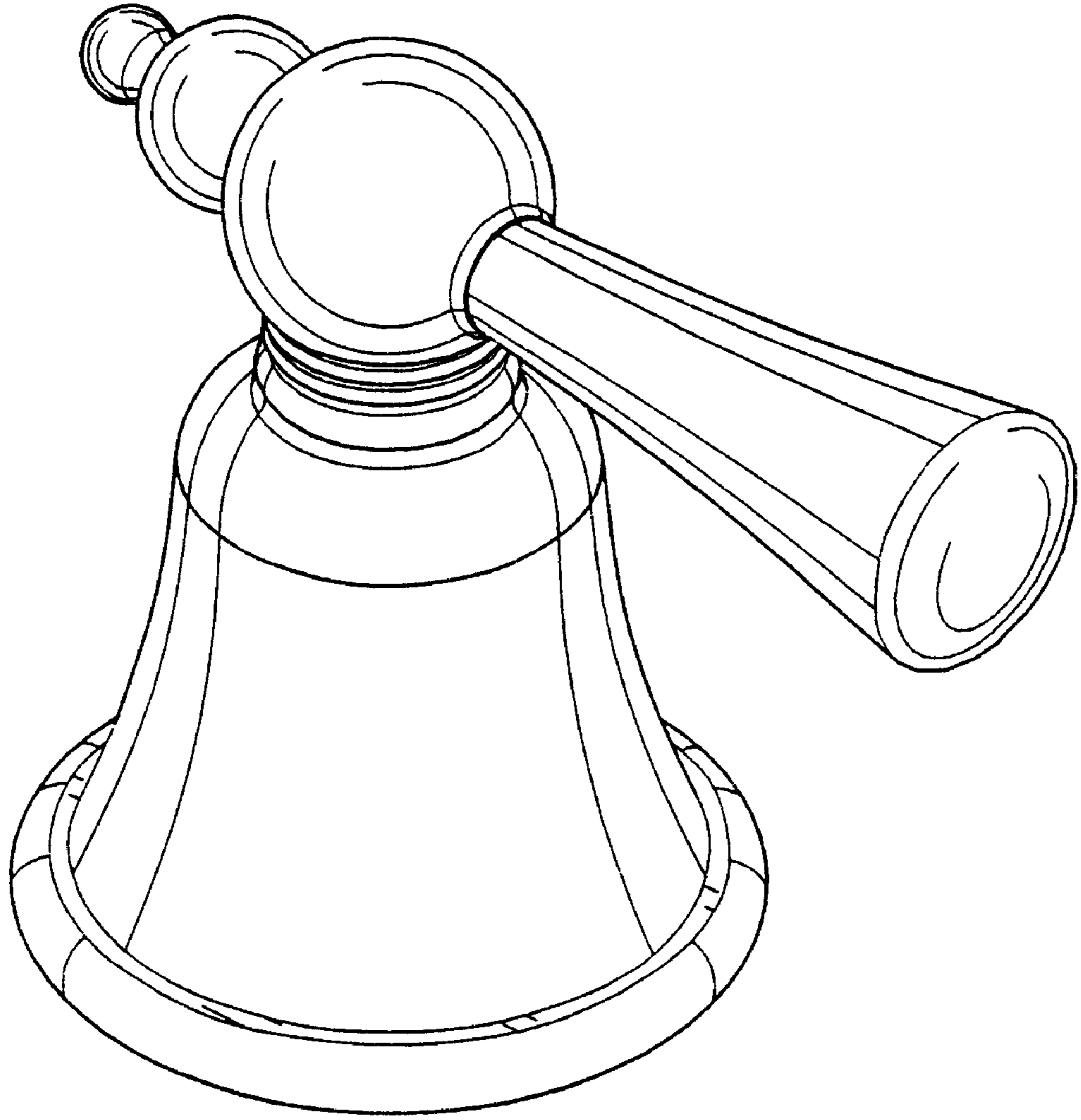


FIG. 1

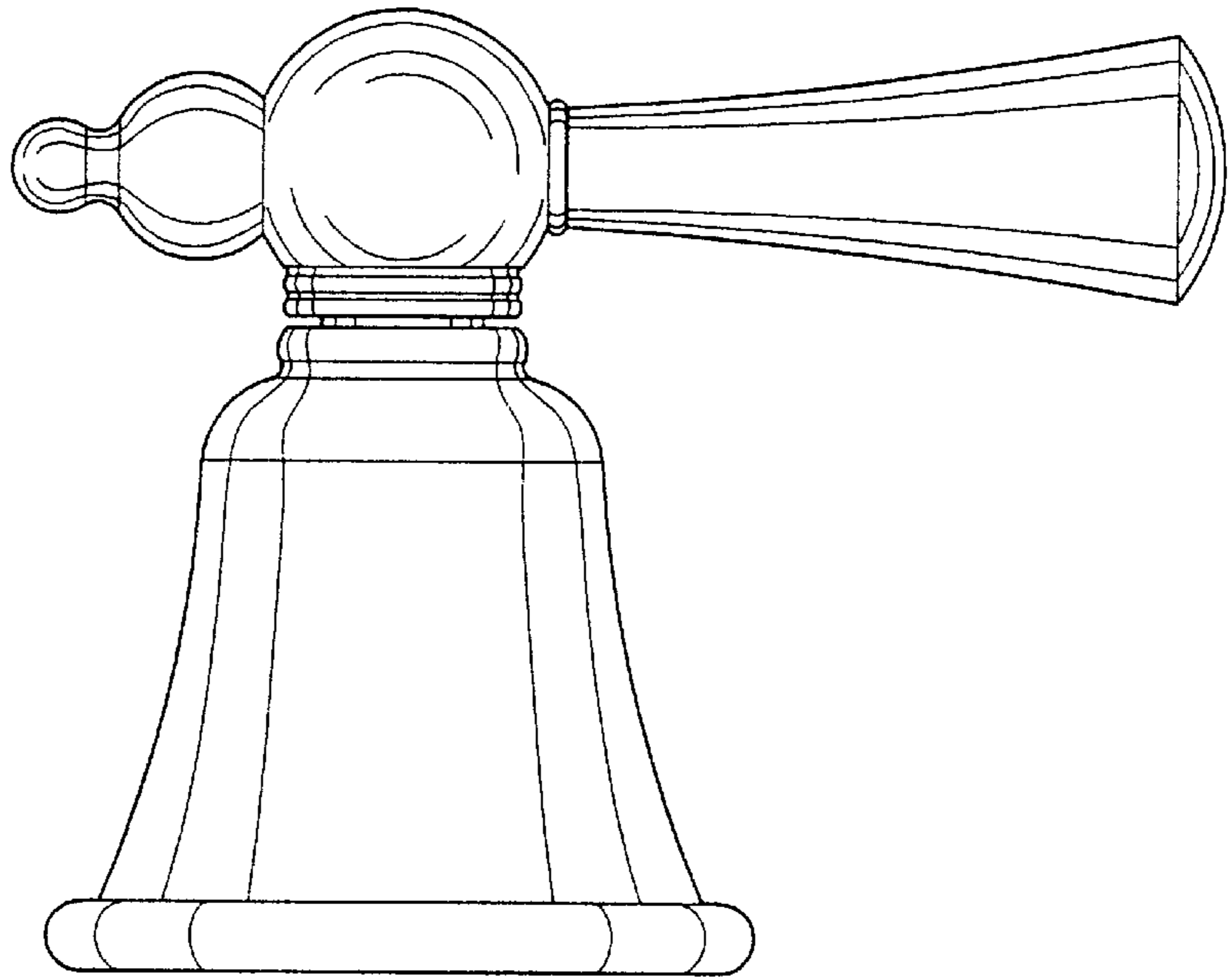


FIG. 2

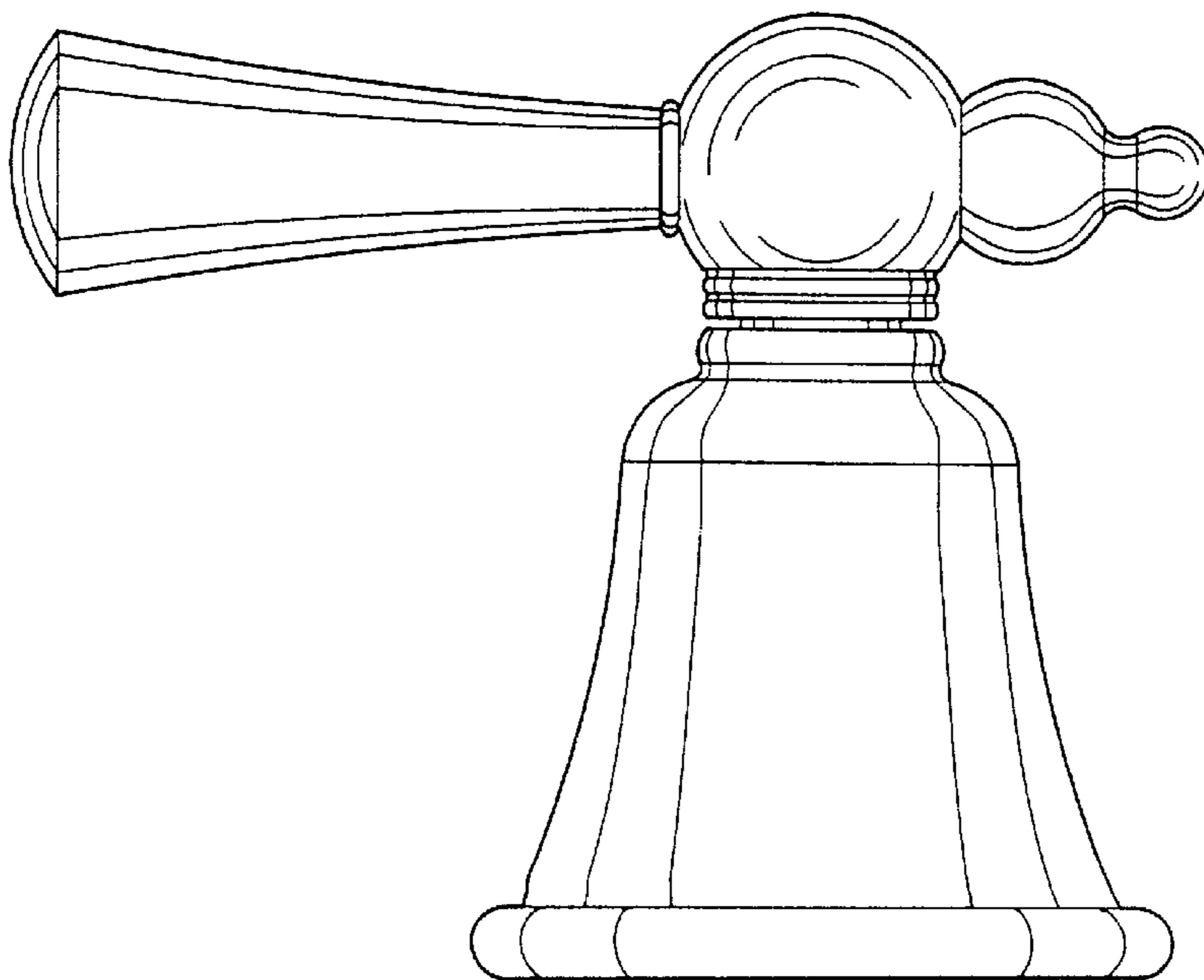


FIG. 5

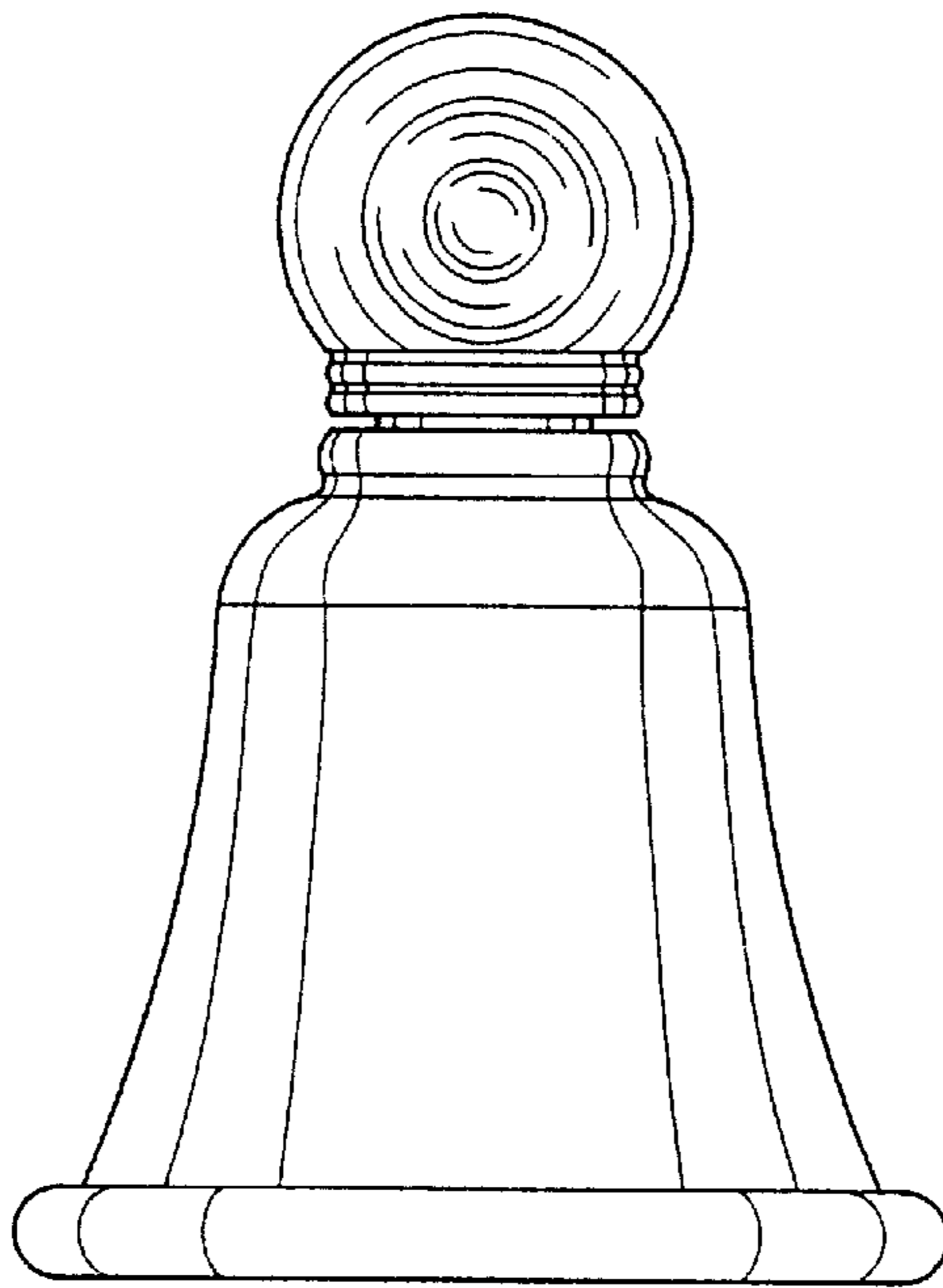


FIG. 3

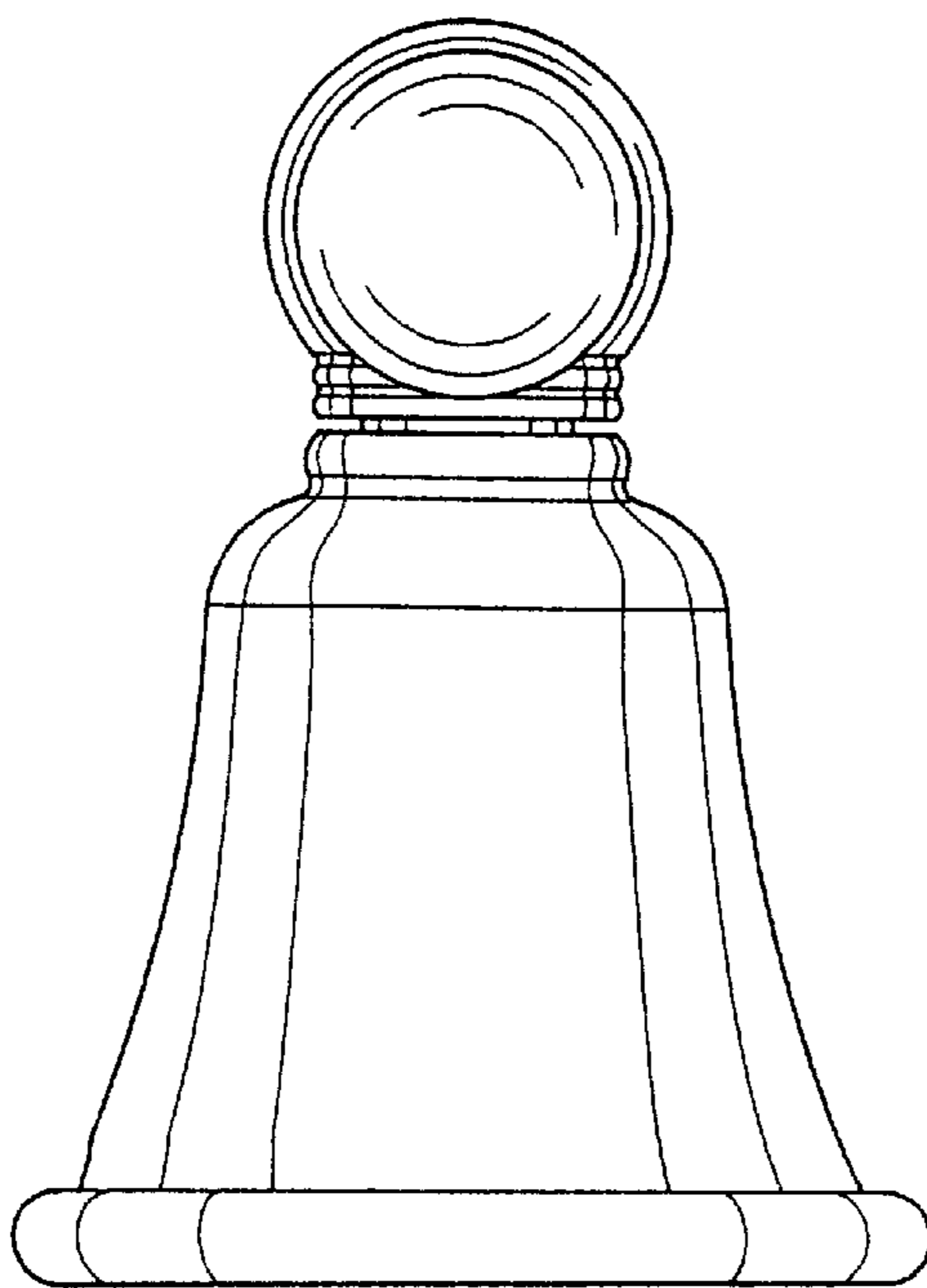


FIG. 4

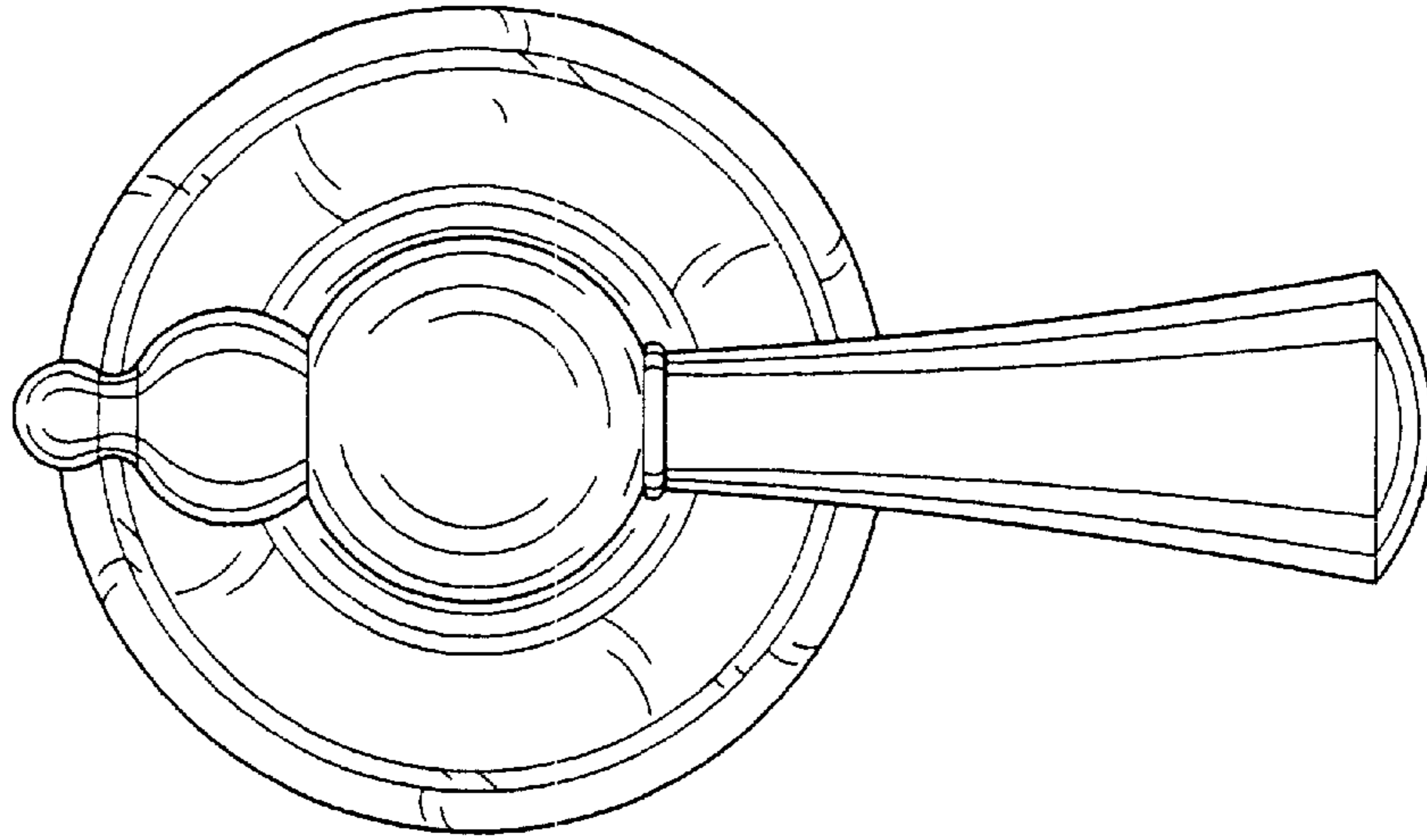


FIG. 6

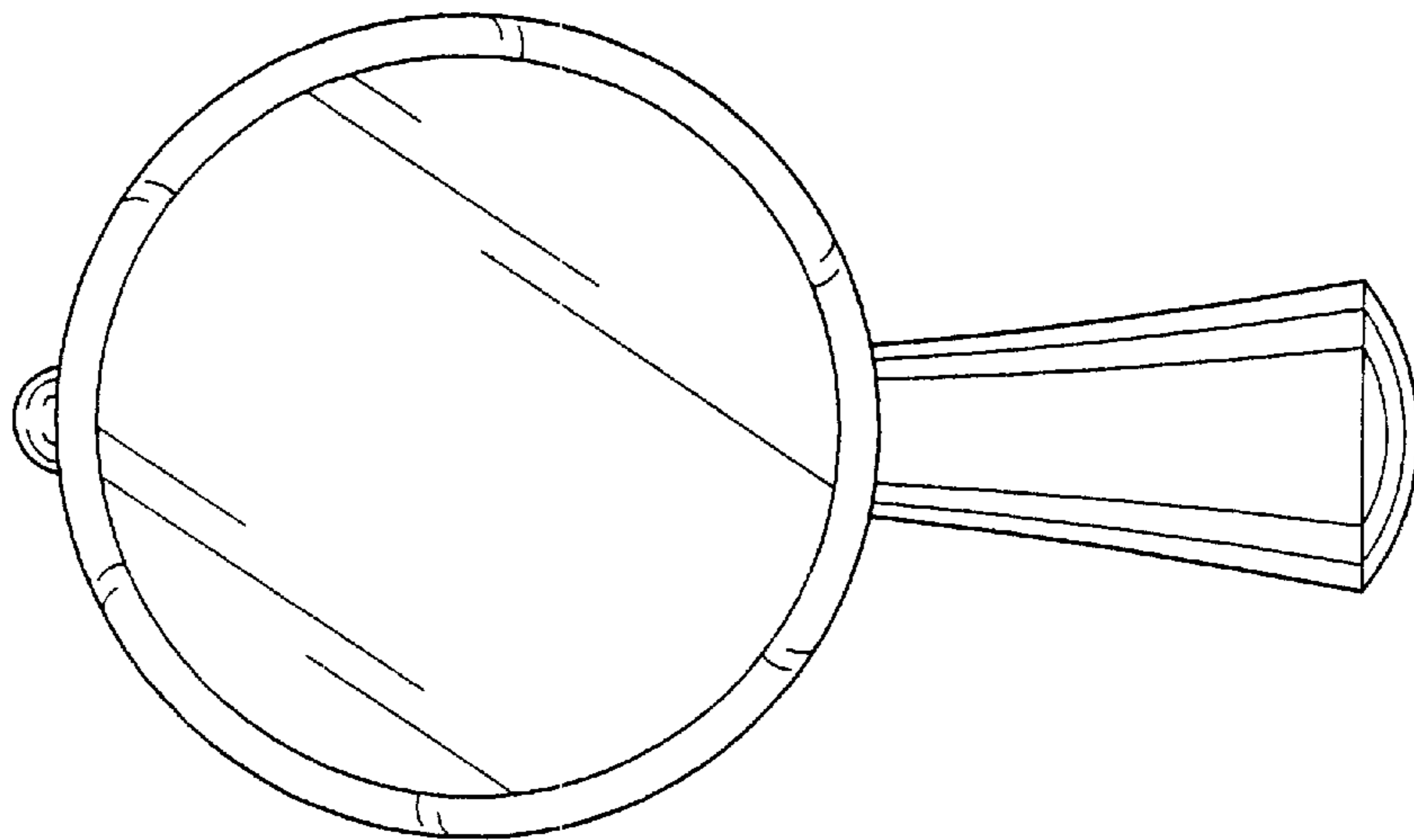


FIG. 7