



US00D490497S

(12) **United States Design Patent**  
**Okazaki et al.**

(10) **Patent No.:** **US D490,497 S**

(45) **Date of Patent:** **\*\* May 25, 2004**

(54) **COLLECTION HEADER PIPE FOR FILTRATION**

**FOREIGN PATENT DOCUMENTS**

(75) Inventors: **Hiroyuki Okazaki**, Nagoya (JP);  
**Tetsuhiko Nakahara**, Nagoya (JP);  
**Manabu Yanou**, Tokyo (JP)

JP 955580 6/1996

\* cited by examiner

(73) Assignee: **Mitsubishi Rayon Co., Ltd.**, Tokyo (JP)

*Primary Examiner*—Robin V. Taylor  
(74) *Attorney, Agent, or Firm*—Fitch Even Tabin & Flannery

(\*\*) Term: **14 Years**

(57) **CLAIM**

(21) Appl. No.: **29/173,637**

The ornamental design for a collection header pipe for filtration, as shown and described.

(22) Filed: **Jan. 3, 2003**

**DESCRIPTION**

(30) **Foreign Application Priority Data**

Jul. 5, 2002 (JP) ..... 2002-018162

(51) **LOC (7) Cl.** ..... **23-01**

(52) **U.S. Cl.** ..... **D23/209**

(58) **Field of Search** ..... D23/209, 259;  
210/323.1, 323.2, 322, 321.8

FIG. 1 is a front perspective view of a collection header pipe for filtration showing our new design; FIG. 2 is a rear perspective view; FIG. 3 is a front elevational view; FIG. 4 is a rear elevational view; FIG. 5 is a right side elevational view, the left side elevational view being a mirror image thereof; FIG. 6 is a top plan view; FIG. 7 is a bottom plan view; and, FIG. 8 is a perspective view of the collection header pipe for filtration used in a collection header of necessary length by serially connecting individual sections. The broken lines shown in FIG. 8 are for illustrative purposes only and form no part of the claimed design.

(56) **References Cited**

**U.S. PATENT DOCUMENTS**

D360,017 S \* 7/1995 Lopez ..... D23/259  
5,597,264 A \* 1/1997 Laak ..... 405/36  
5,922,201 A \* 7/1999 Yamamori et al. .... 210/321.79  
6,294,039 B1 \* 9/2001 Mahendran et al. .... 156/242

**1 Claim, 3 Drawing Sheets**

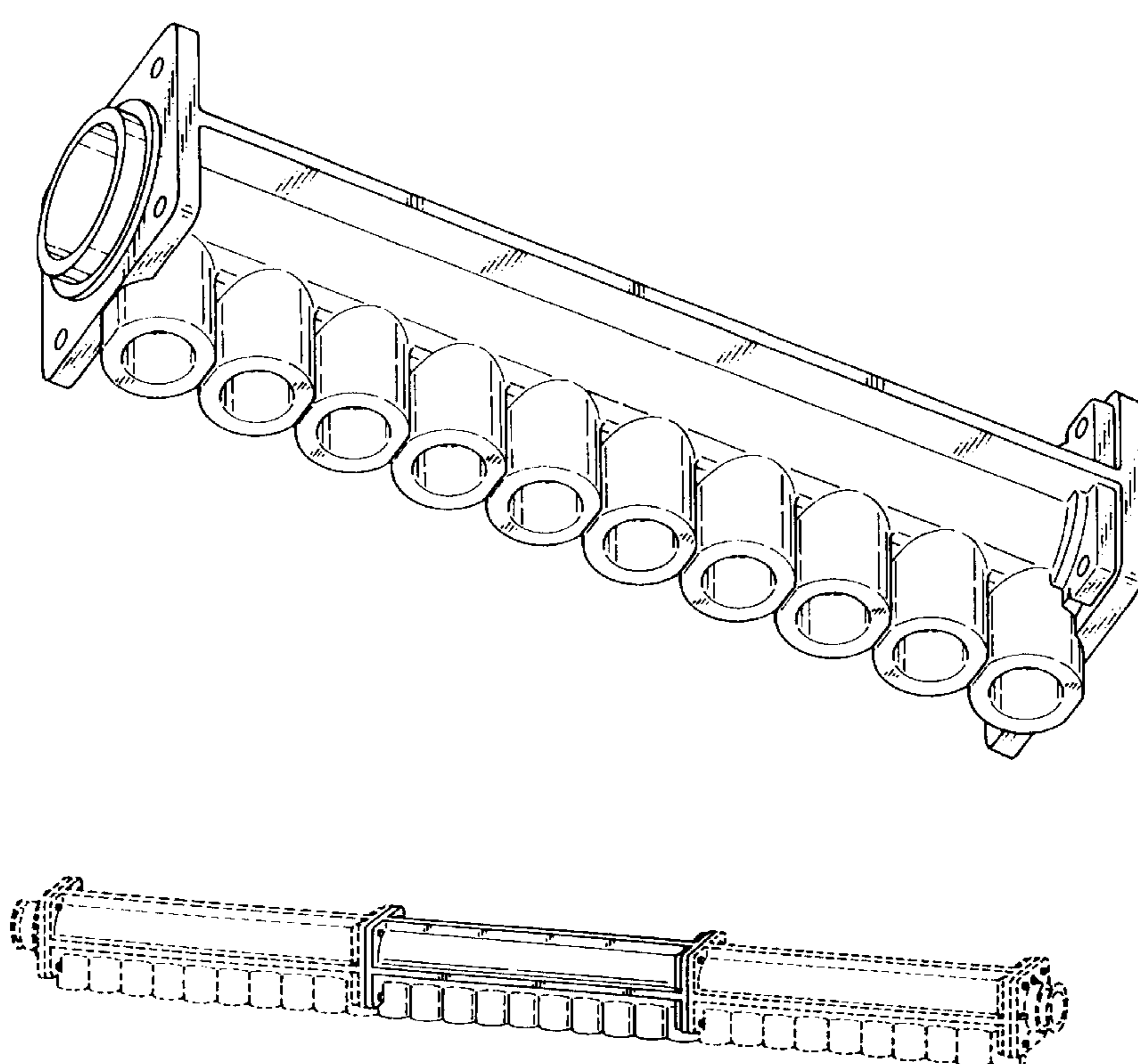


Fig. 1

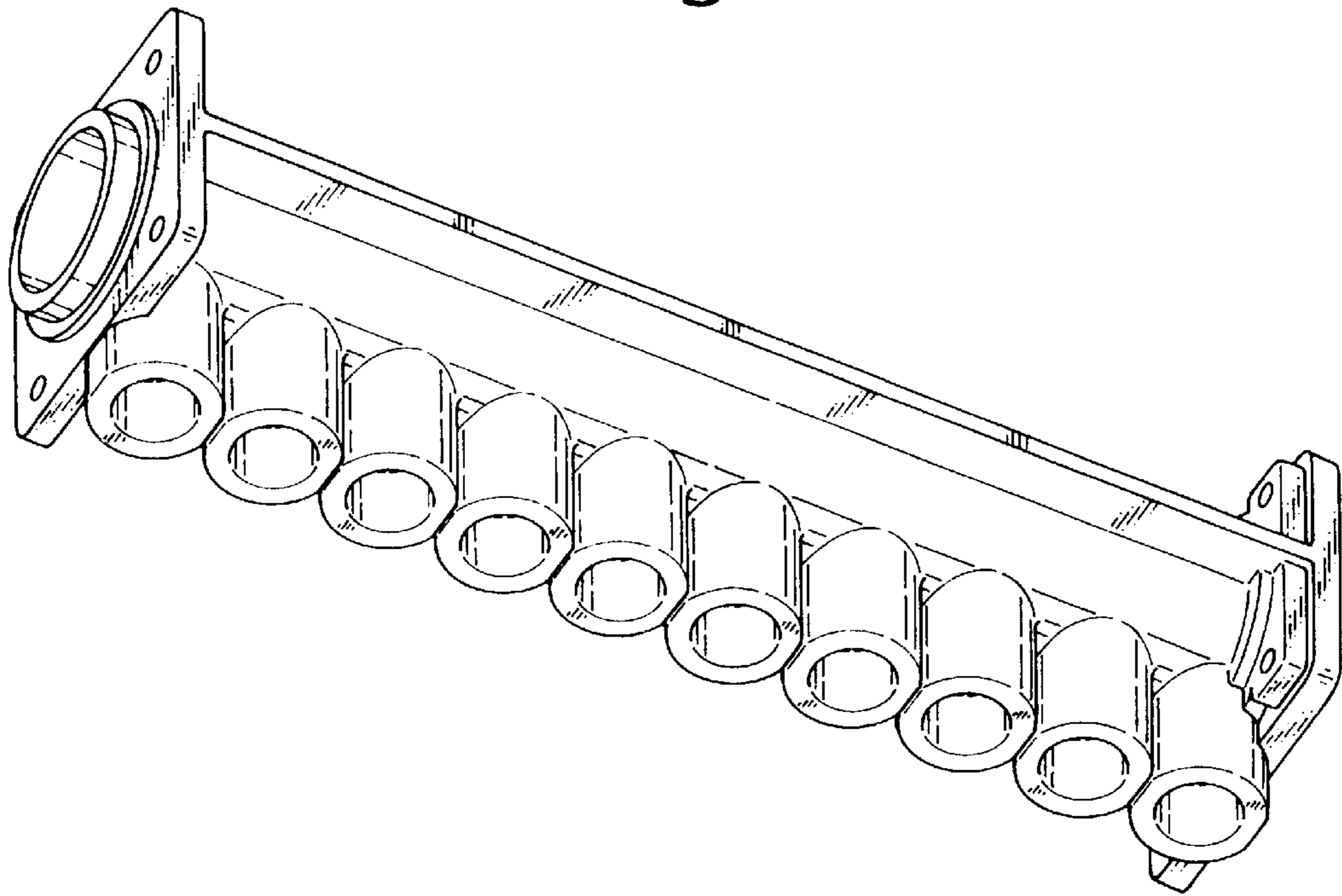


Fig. 2

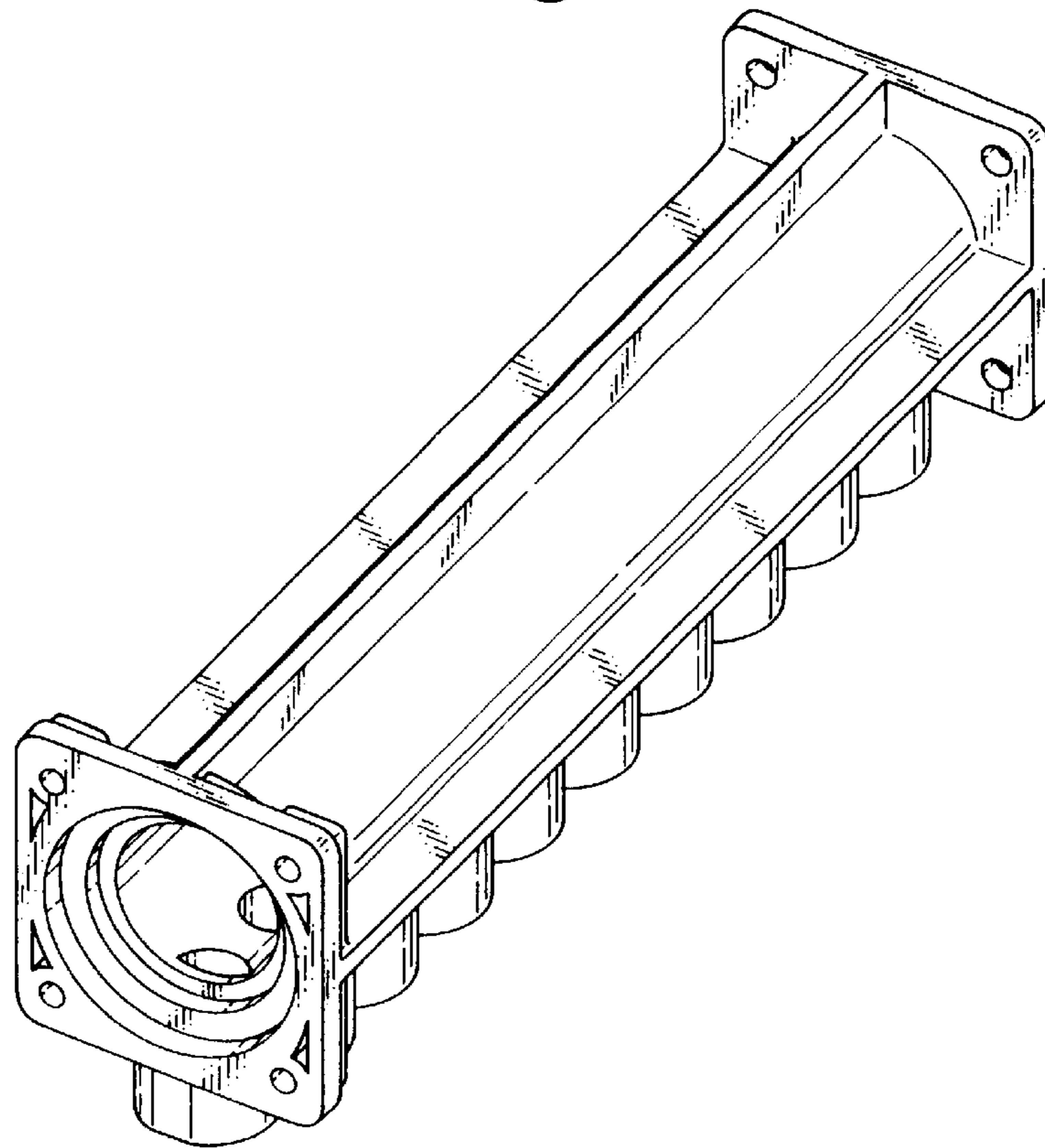


Fig.3

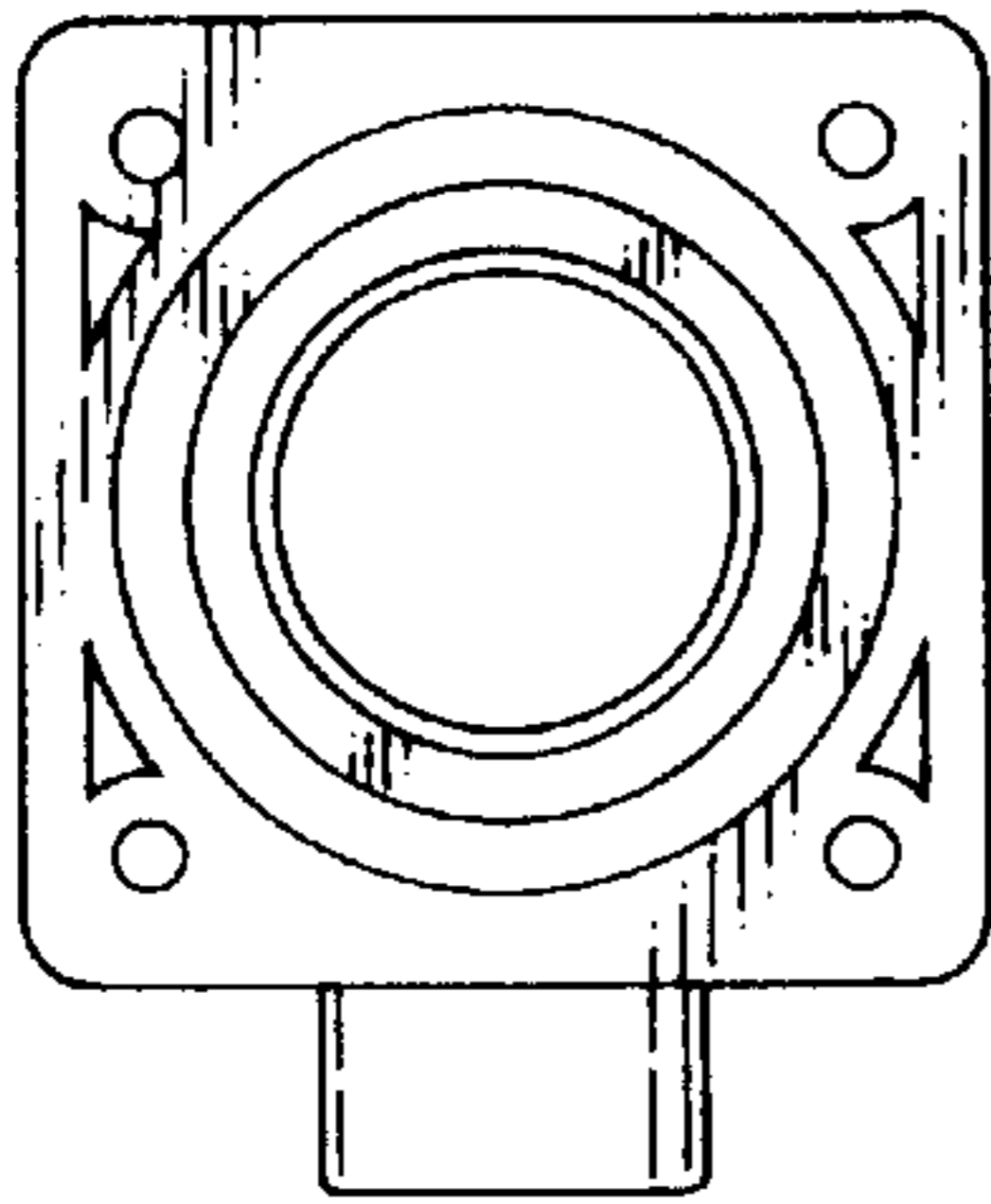


Fig.4

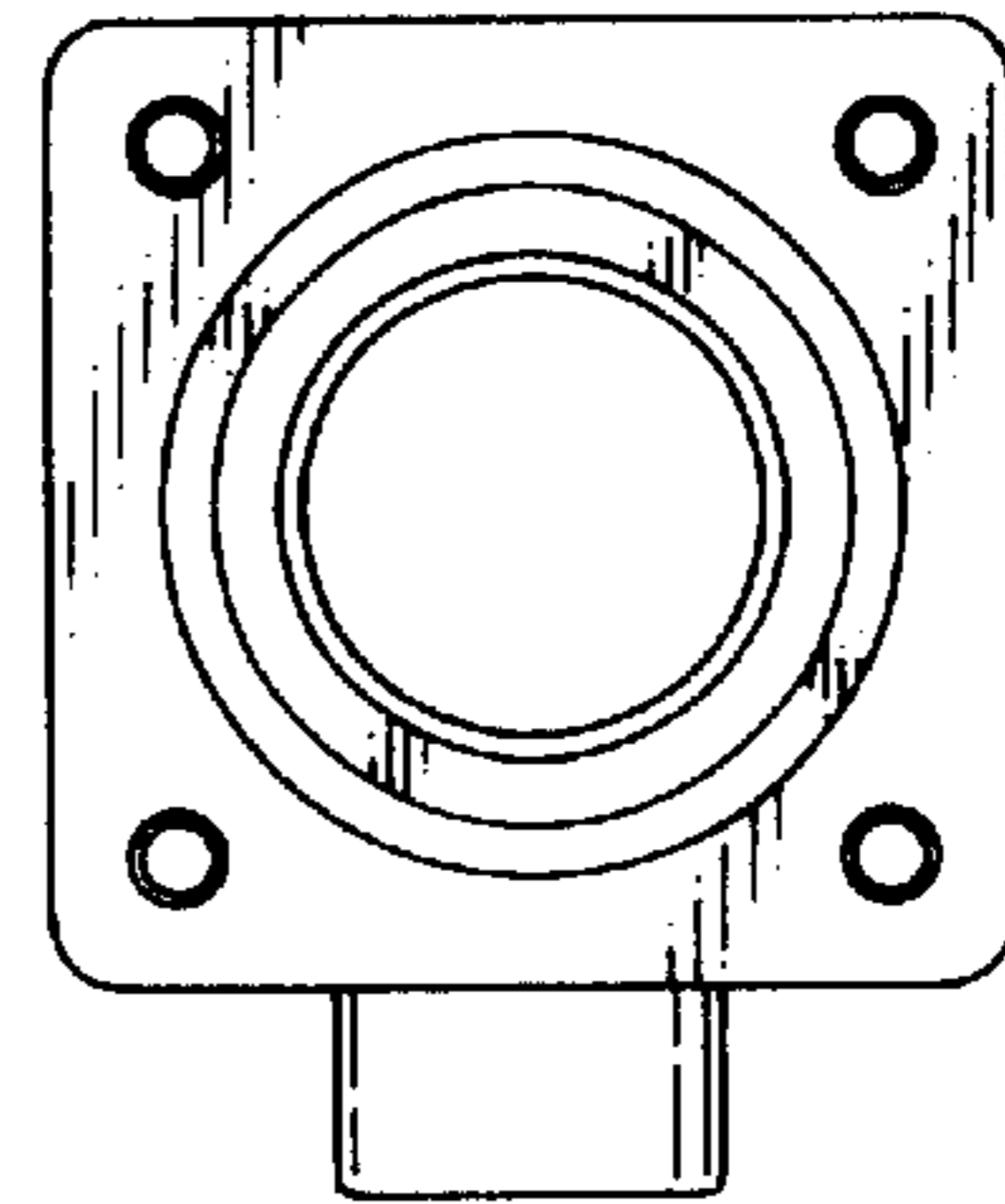


Fig.5

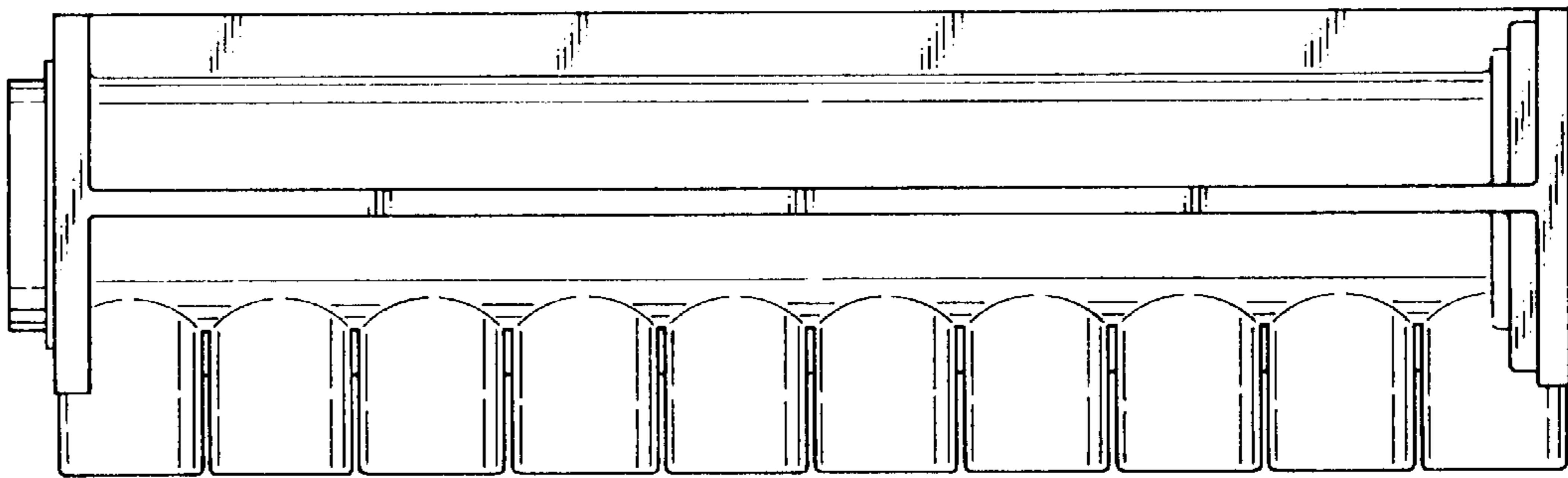


Fig.6

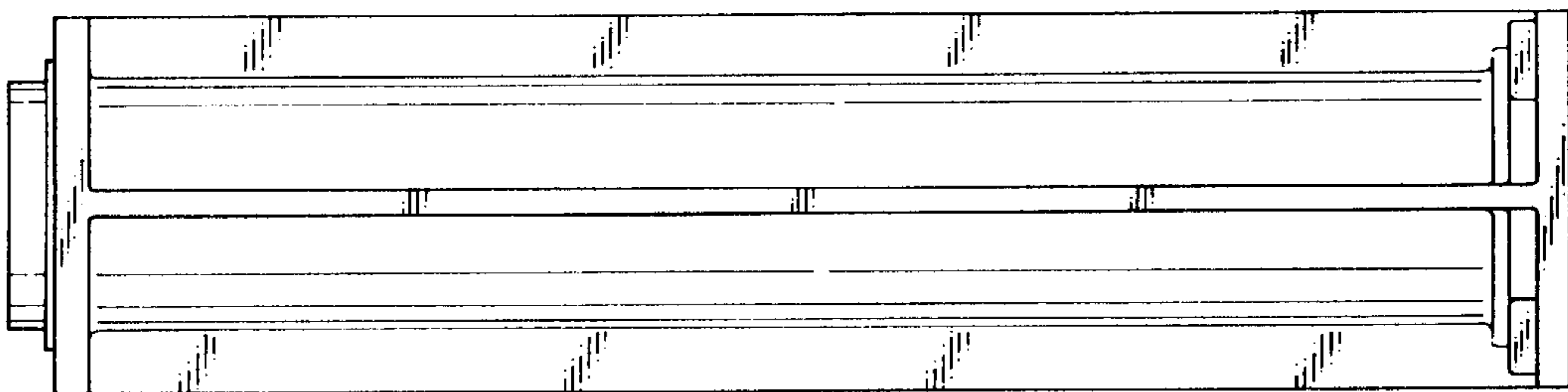


Fig.7

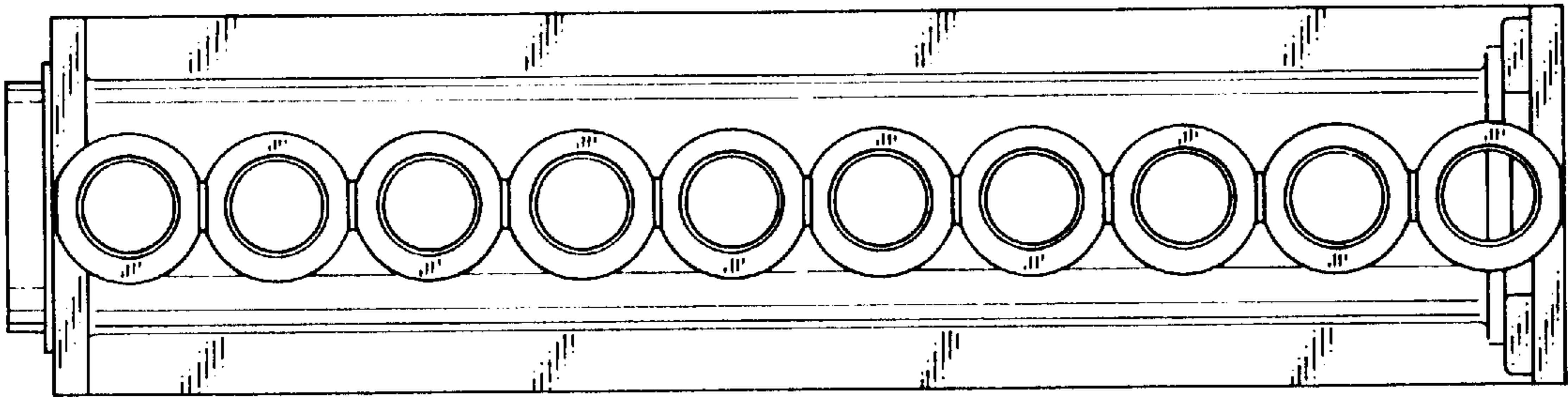


Fig.8

