



US00D490496S

(12) **United States Design Patent**  
**Cook**

(10) **Patent No.:** **US D490,496 S**

(45) **Date of Patent:** **\*\* May 25, 2004**

(54) **REVERSE OSMOSIS APPARATUS**

D480,448 S \* 10/2003 Cook ..... D23/207

(75) Inventor: **James E. Cook**, Anoka, MN (US)

\* cited by examiner

(73) Assignee: **Pumptec, Inc.**, Anoka, MN (US)

*Primary Examiner*—Robin V. Taylor

(\*\*) Term: **14 Years**

(74) *Attorney, Agent, or Firm*—Roger W. Jensen

(21) Appl. No.: **29/180,227**

(22) Filed: **Apr. 21, 2003**

(51) **LOC (7) Cl.** ..... **23-01**

(52) **U.S. Cl.** ..... **D23/207**

(58) **Field of Search** ..... D23/207, 209;  
210/241, 257.2, 259

(57) **CLAIM**

The ornamental design for a reverse osmosis apparatus, as shown.

**DESCRIPTION**

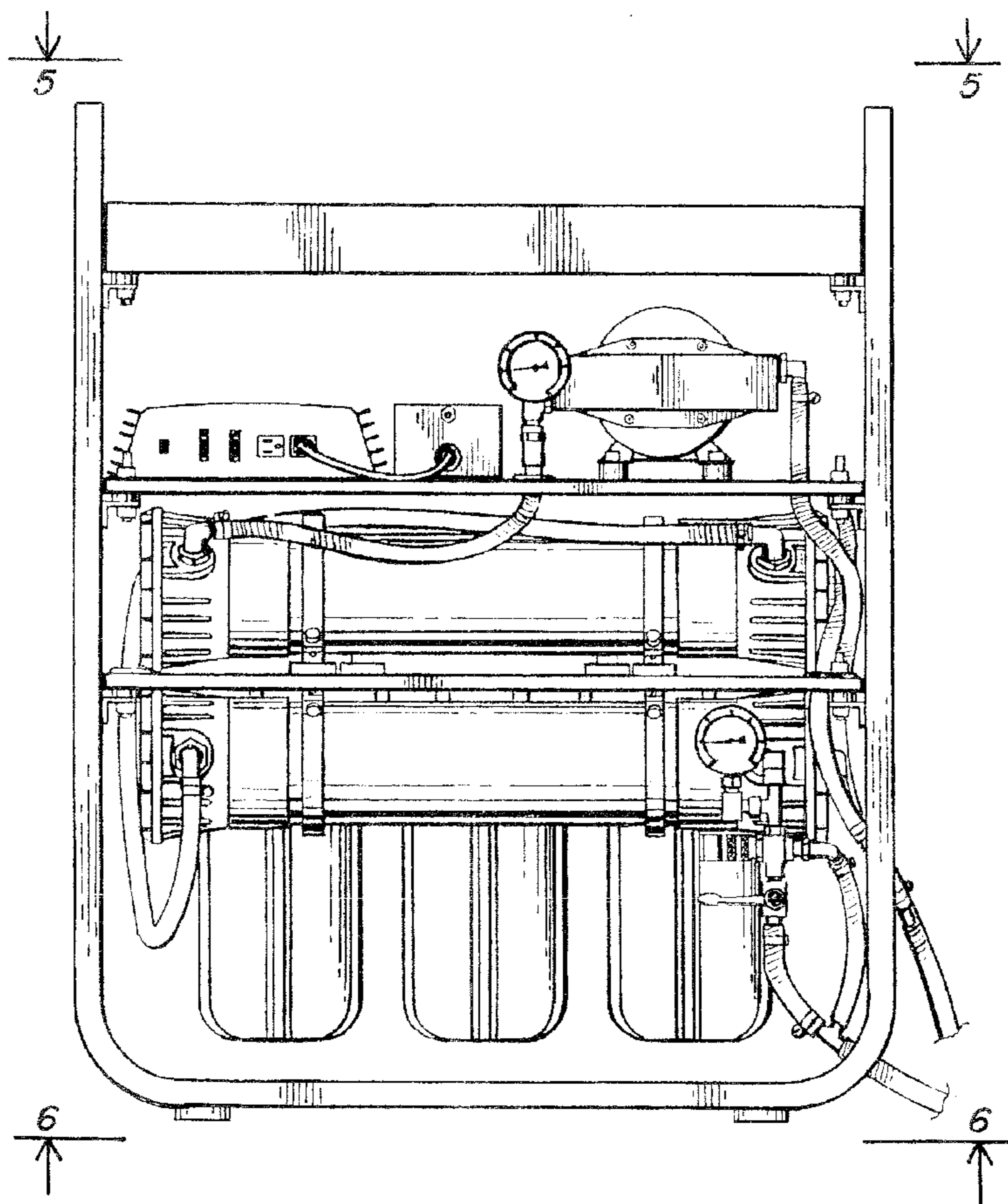
FIG. 1 is a front view of a reverse osmosis apparatus showing my new design;  
FIG. 2 is a right side view thereof;  
FIG. 3 is a back view thereof taken in the direction of arrows 3—3 in FIG. 2;  
FIG. 4 is a left side view thereof;  
FIG. 5 is a top view thereof taken in the direction of arrows 5—5 in FIG. 1; and,  
FIG. 6 is a bottom view thereof taken in the direction of arrows 6—6 in FIG. 1.

(56) **References Cited**

**U.S. PATENT DOCUMENTS**

5,972,216 A	*	10/1999	Acernese et al.	.....	210/253
6,334,951 B1	*	1/2002	Cheng	.....	210/110
6,471,874 B2	*	10/2002	Yamamoto et al.	.....	210/748
6,616,839 B1	*	9/2003	Peterson et al.	.....	210/241
D480,447 S	*	10/2003	Cook	.....	D23/207

**1 Claim, 3 Drawing Sheets**



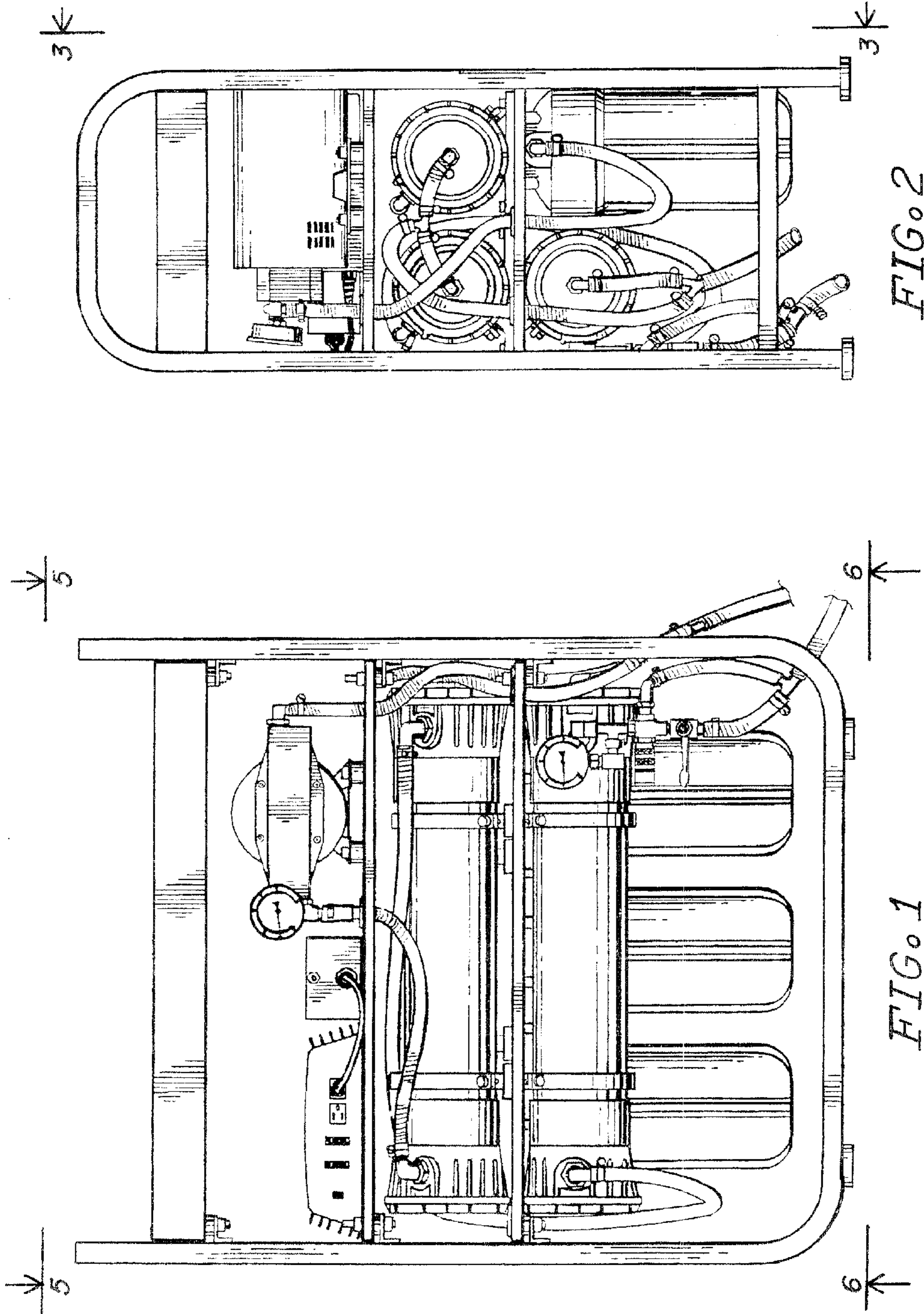


FIG. 2

FIG. 1

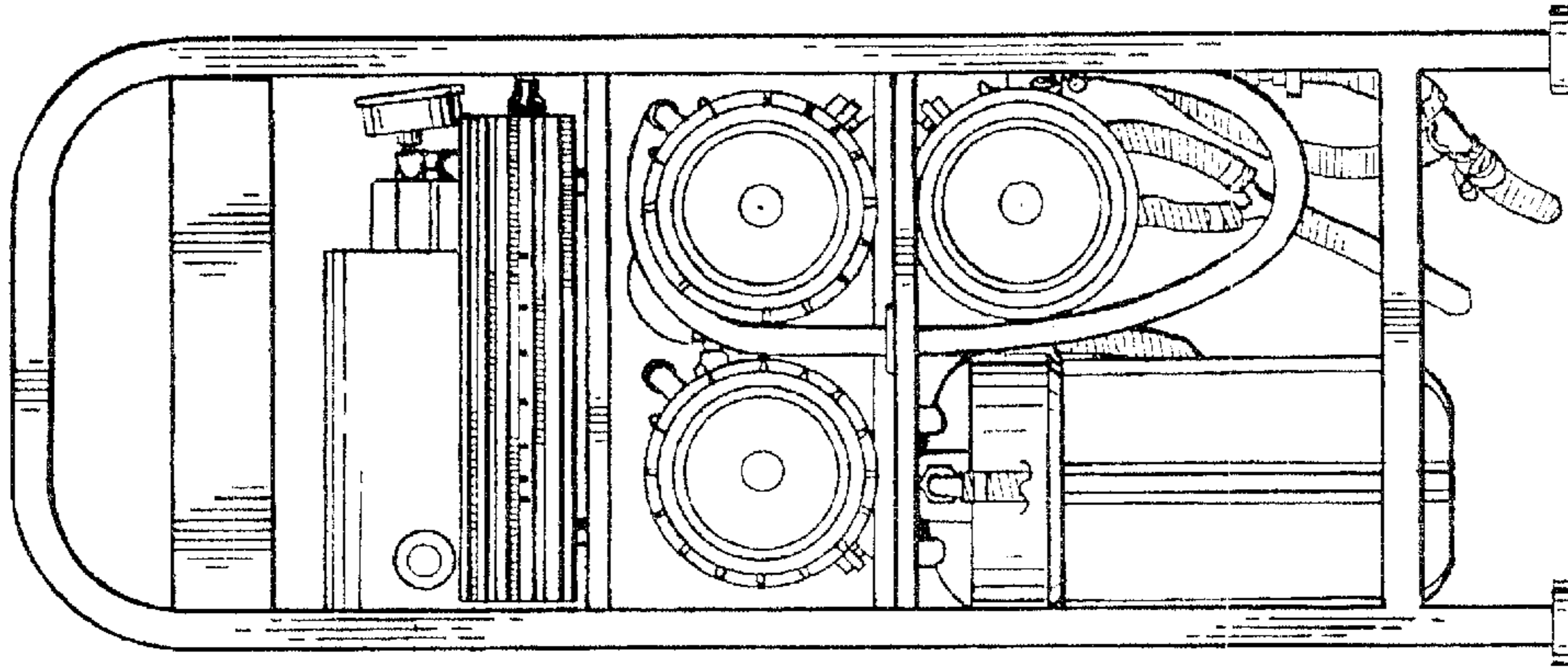


FIG. 4

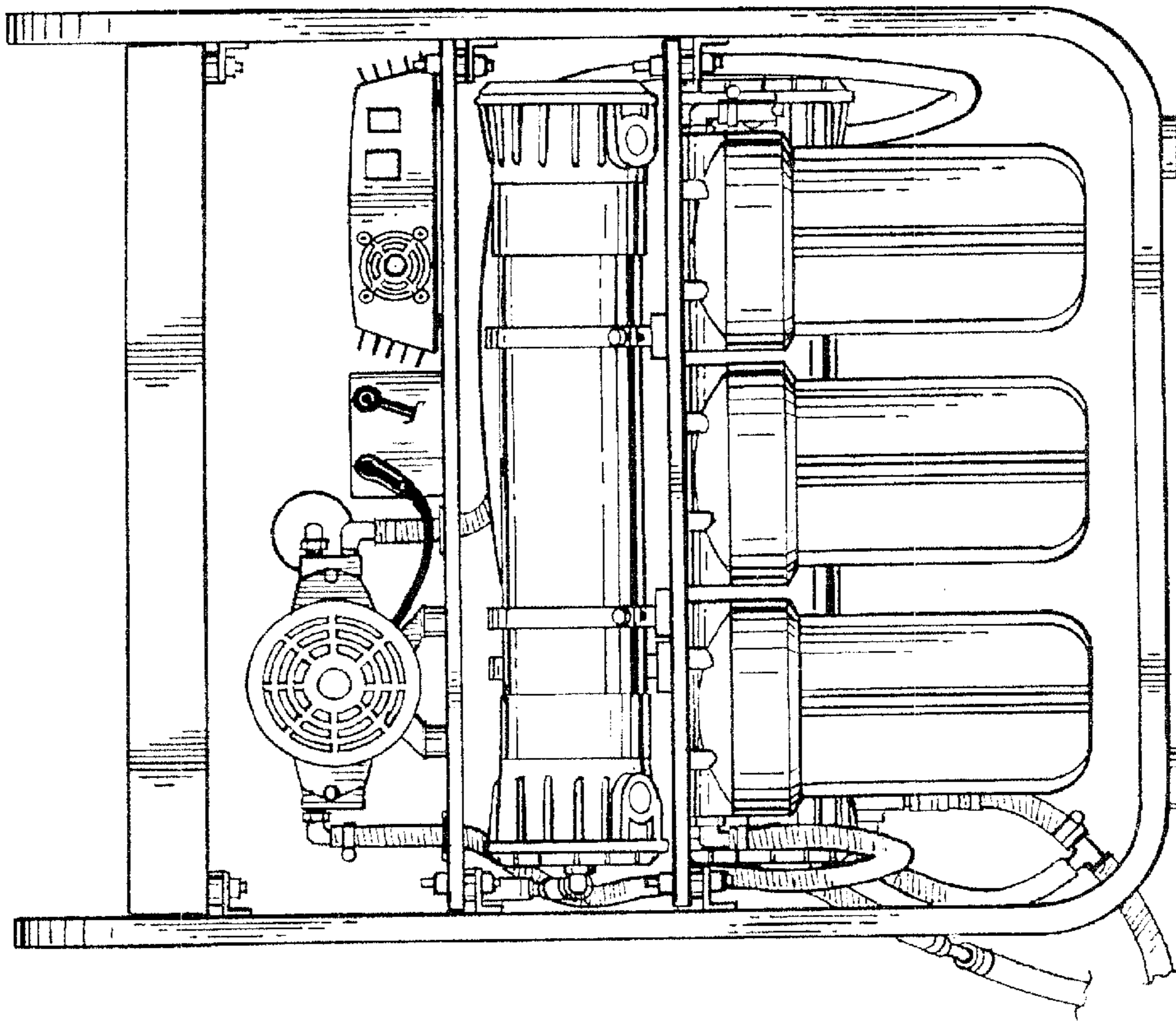


FIG. 3

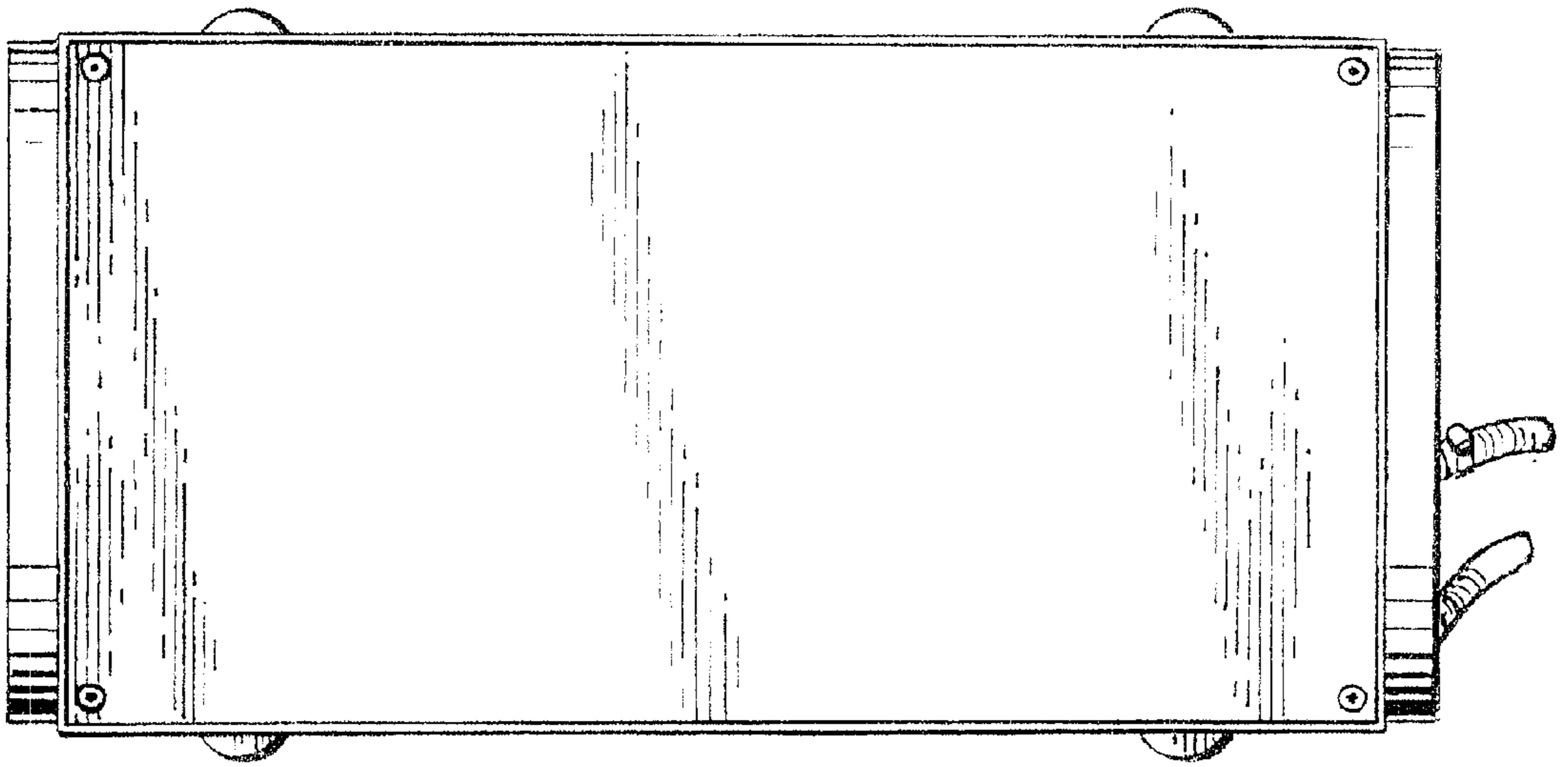


FIG. 5

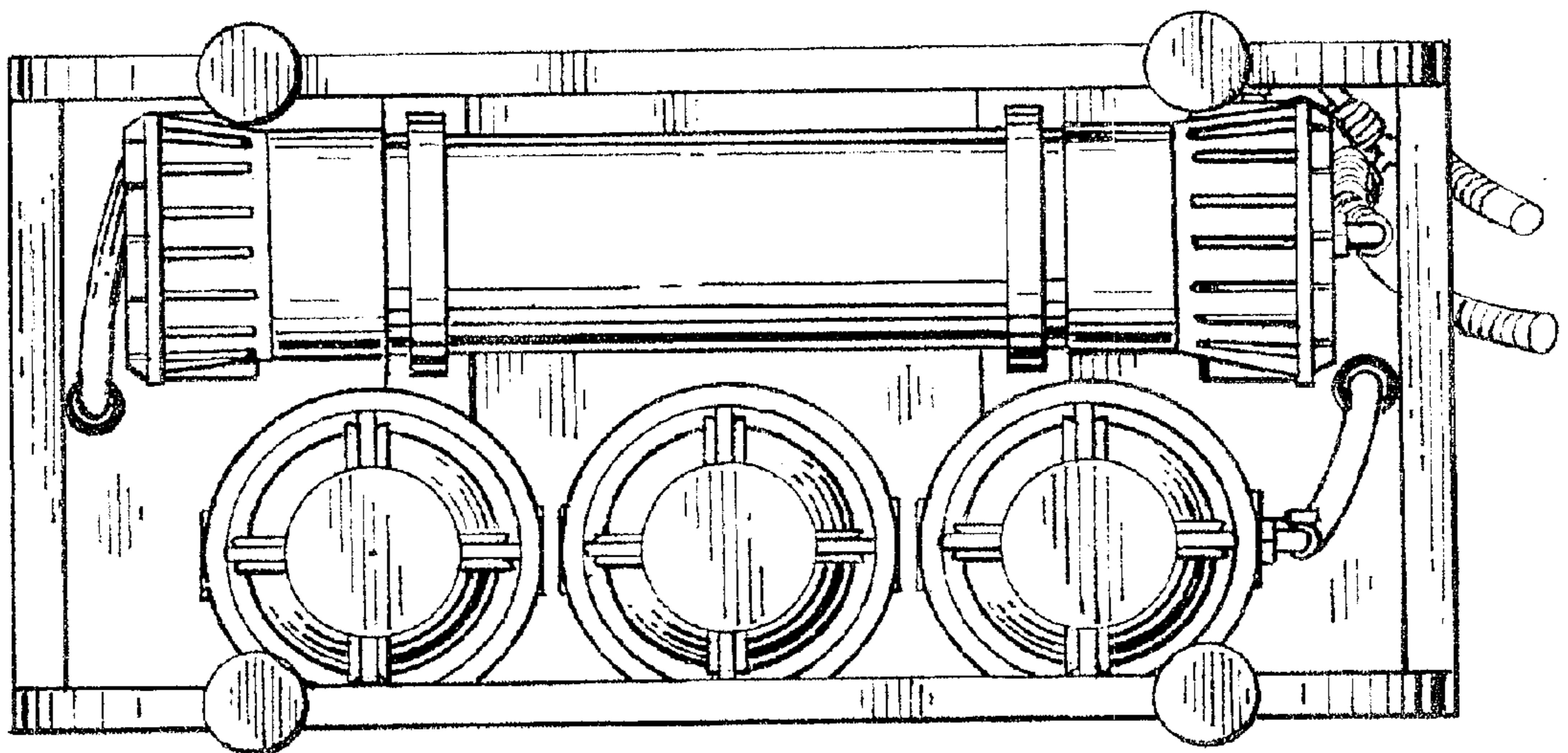


FIG. 6