



US00D490490S

(12) **United States Design Patent**
Gilbert et al.

(10) **Patent No.:** **US D490,490 S**

(45) **Date of Patent:** **** May 25, 2004**

(54) **GOLF CLUB BACK CAVITY**

(75) Inventors: **Peter J Gilbert**, Carlsbad, CA (US);
Christopher R Kays, San Diego, CA
(US); **Douglas C Jorgensen**, San
Diego, CA (US); **Bruce R Pettibone**,
Carlsbad, CA (US)

(73) Assignee: **Acushnet Company**, Fairhaven, MA
(US)

(**) Term: **14 Years**

(21) Appl. No.: **29/182,799**

(22) Filed: **Jun. 2, 2003**

(51) **LOC (7) Cl.** **21-02**

(52) **U.S. Cl.** **D21/759**

(58) **Field of Search** D21/747-751,
D21/759; 473/324-331, 350

(56) **References Cited**

U.S. PATENT DOCUMENTS

D355,234 S * 2/1995 MacNally et al. D21/749

D373,164 S * 8/1996 Wang D21/749
D382,616 S * 8/1997 Heffley D21/749
D464,387 S * 10/2002 Rollinson et al. D21/748
D464,693 S * 10/2002 Rollinson et al. D21/748
D470,554 S * 2/2003 Truesdale D21/747
D474,822 S * 5/2003 Cleveland et al. D21/747

* cited by examiner

Primary Examiner—Mitchell Siegel

(57) **CLAIM**

The ornamental design for a golf club back cavity, as shown and described.

DESCRIPTION

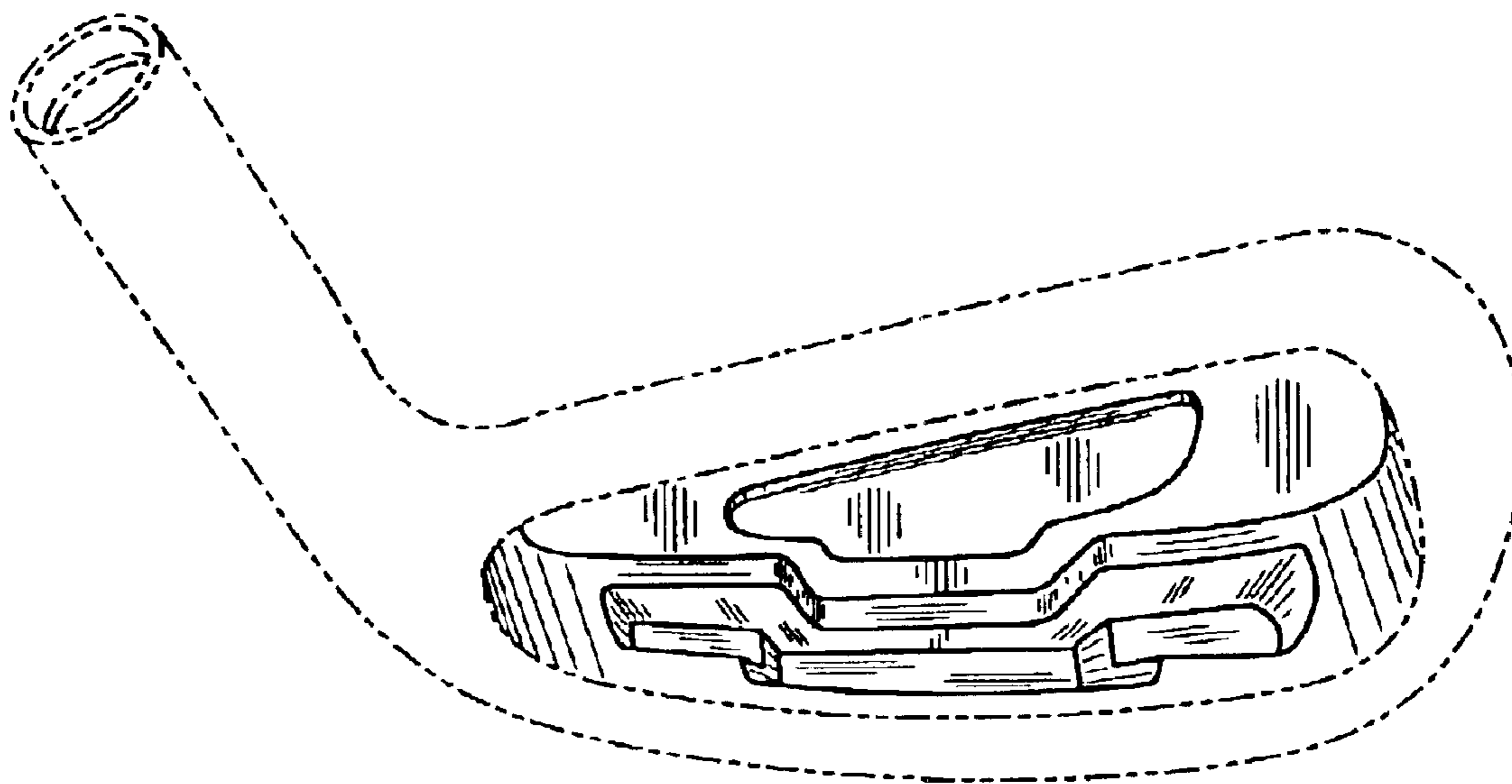
FIG. 1 is an elevational view of our new golf club back cavity;

FIG. 2 is a top side perspective view thereof; and,

FIG. 3 is a heel side view thereof.

The portion of the club head outlined with the dotted lines is not part of the back cavity and does not form any portion of the present invention.

1 Claim, 1 Drawing Sheet



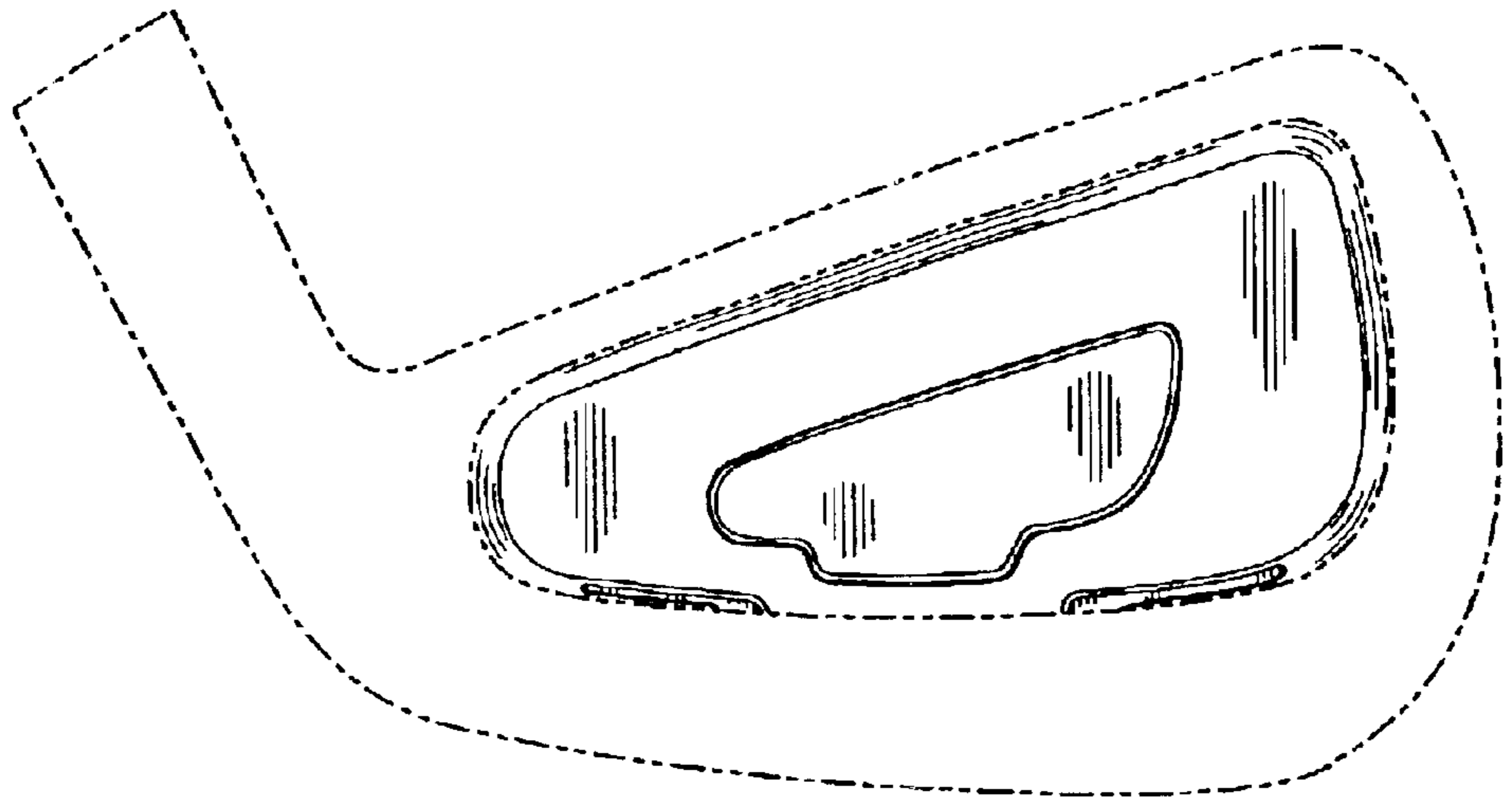


FIG. 1

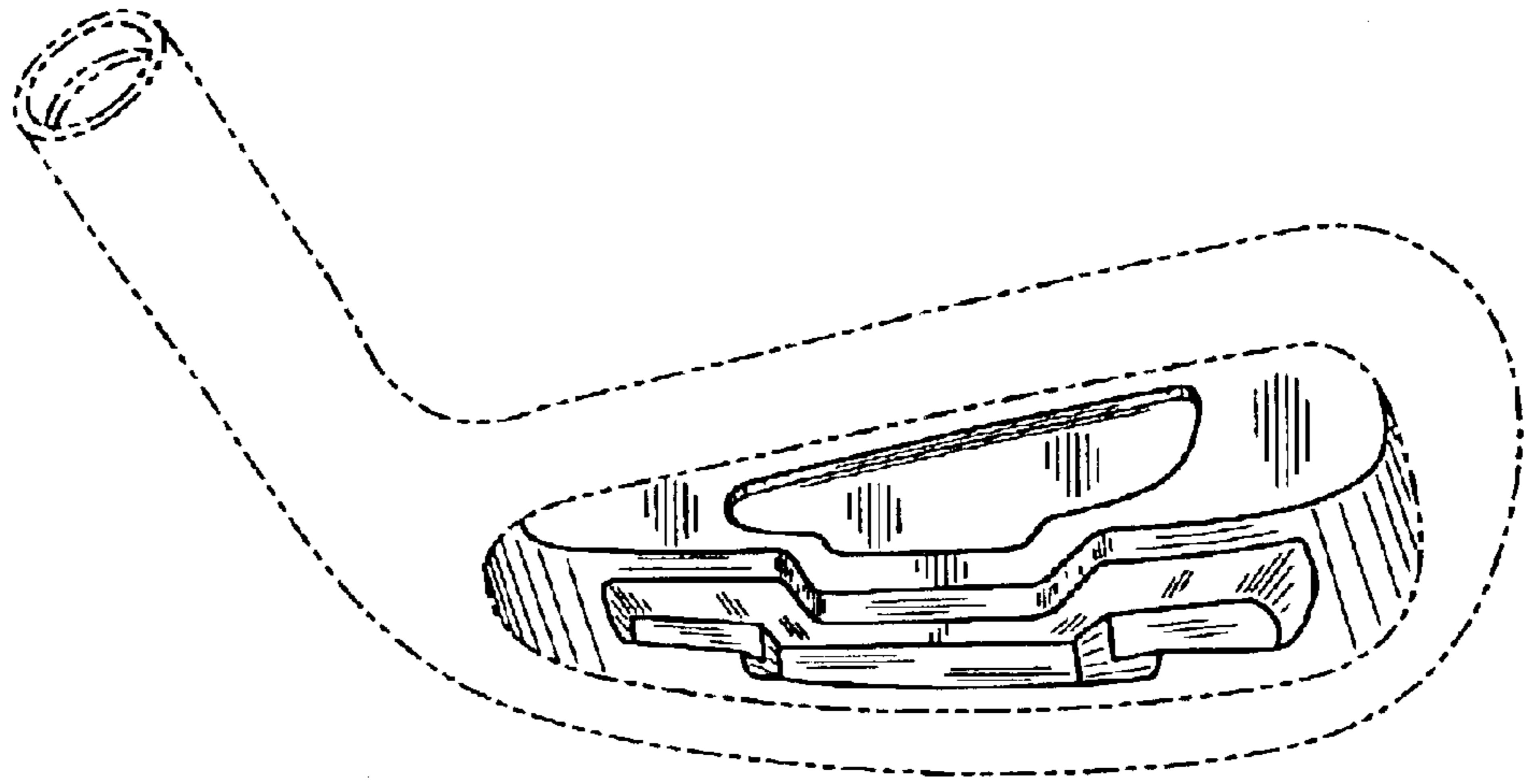


FIG. 2

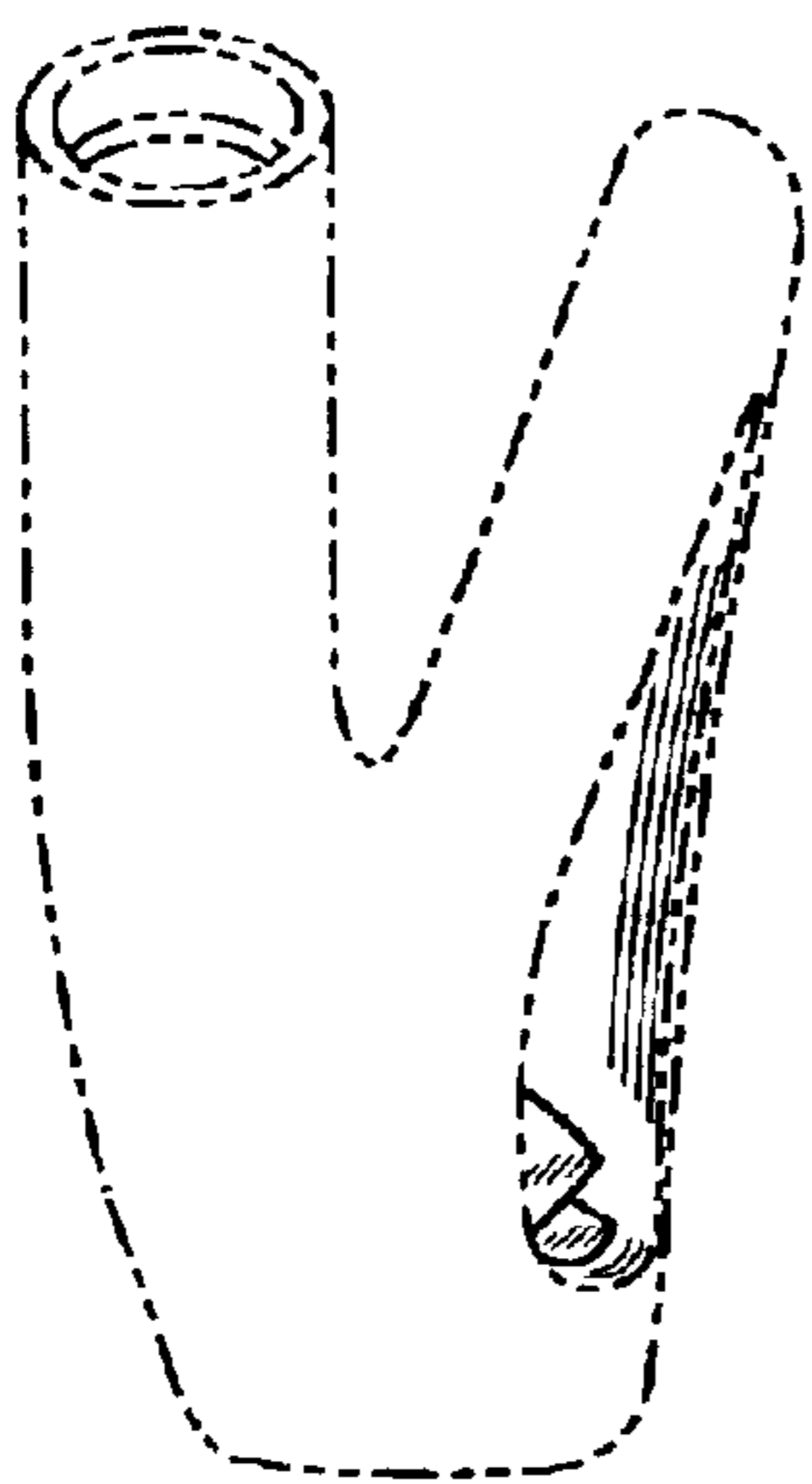


FIG. 3