



US00D490484S

(12) **United States Design Patent**  
**Auberger**

(10) **Patent No.:** **US D490,484 S**

(45) **Date of Patent:** **\*\* May 25, 2004**

(54) **HALF CUBE**

(75) **Inventor:** **Benoît M. Auberger**, La Forêt sur Sèvre (FR)

(73) **Assignee:** **Wesco Company S.A.**, Cerizay (FR)

(\*\*) **Term:** **14 Years**

(21) **Appl. No.:** **29/180,134**

(22) **Filed:** **Apr. 18, 2003**

(30) **Foreign Application Priority Data**

Oct. 22, 2002 (FR) ..... 02 6383

(51) **LOC (7) Cl.** ..... **21-01**

(52) **U.S. Cl.** ..... **D21/500; D21/499**

(58) **Field of Search** ..... D21/484, 486, D21/489-491, 499-505; 446/85, 108-116, 117, 120-122, 124, 125, 128

(56) **References Cited**

**U.S. PATENT DOCUMENTS**

1,895,611 A \* 1/1933 Poak ..... 446/122  
2,115,012 A \* 4/1938 Douglas ..... D21/499  
3,554,384 A \* 1/1971 DeNatale ..... D21/499

D283,635 S \* 4/1986 Kato et al. .... D21/499  
4,698,023 A \* 10/1987 Marino ..... 446/125  
5,000,713 A \* 3/1991 Cheng ..... 446/120  
5,069,647 A \* 12/1991 Zuviria ..... 446/120  
D422,036 S \* 3/2000 Laserna Fernandez ..... D21/499  
D464,682 S \* 10/2002 Lin ..... D21/499  
D465,247 S \* 11/2002 Sorensen ..... D21/500

\* cited by examiner

*Primary Examiner*—Raphael Barkai

(74) *Attorney, Agent, or Firm*—Horst M. Kasper

(57) **CLAIM**

The ornamental design for a half cube, as shown and described.

**DESCRIPTION**

FIG. 1 is a bottom view of the half cube showing my new design

FIG. 2 is a left side view thereof

FIG. 3 is a front view thereof

FIG. 4 is a perspective view thereof

FIG. 5 is a top plan view thereof; and,

FIG. 6 is a back view thereof.

**1 Claim, 1 Drawing Sheet**

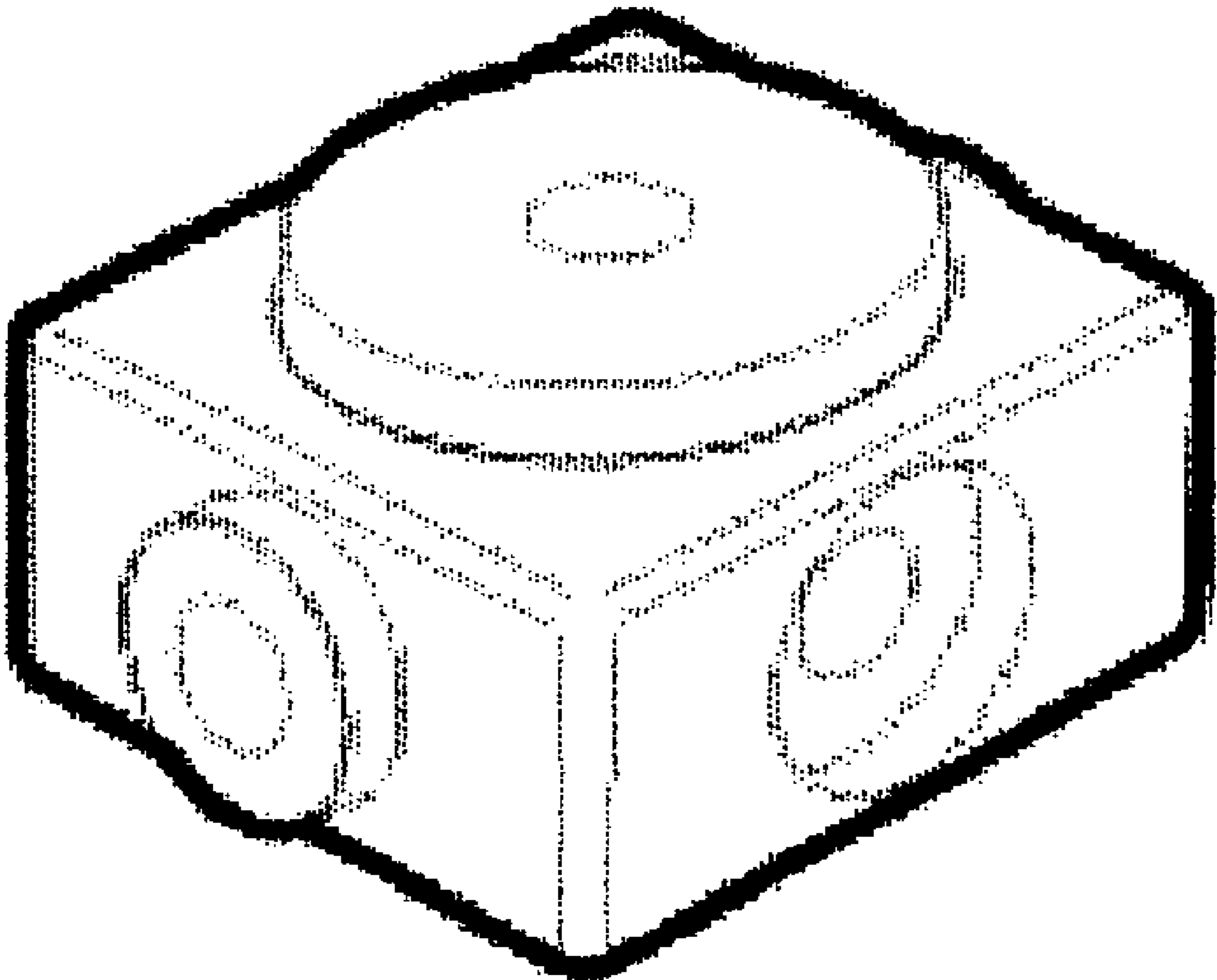




Fig 1

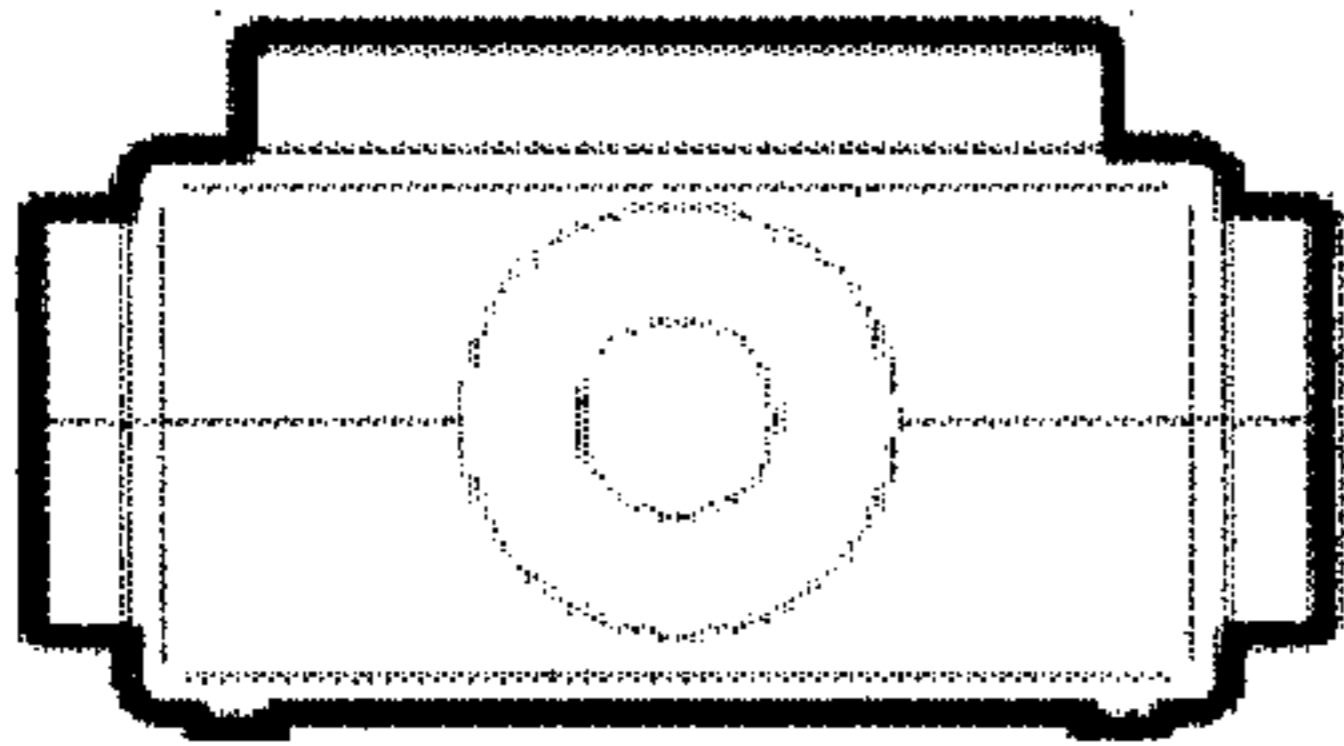


Fig 2

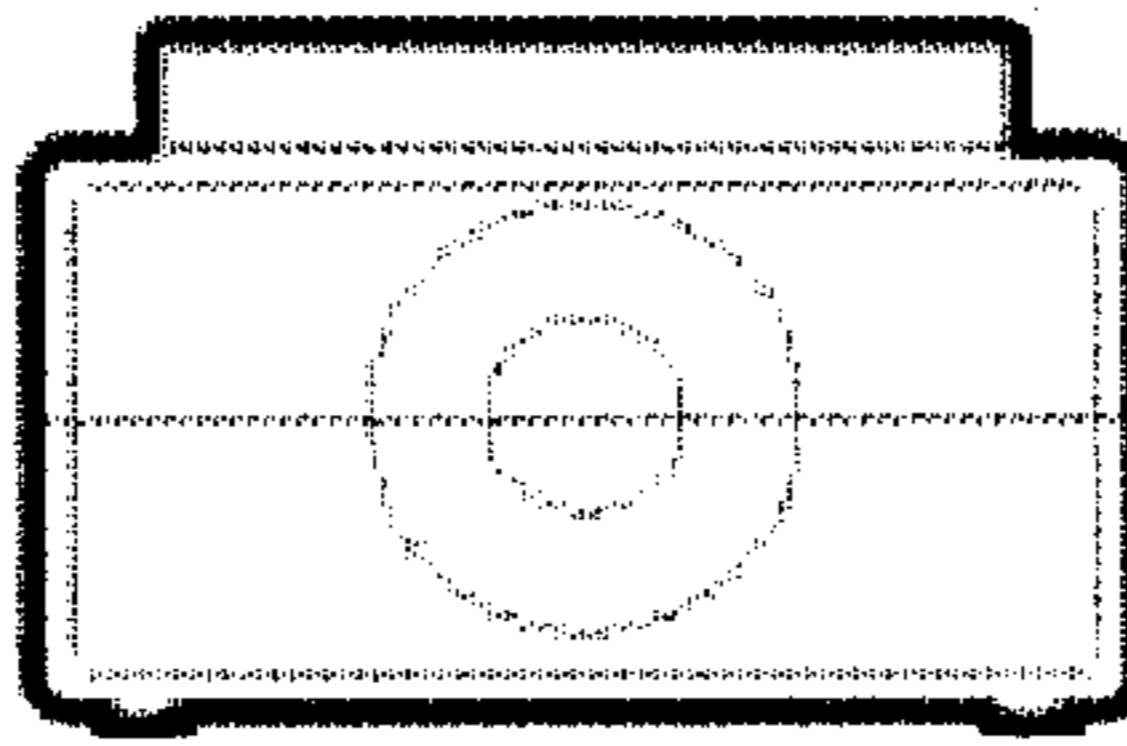


Fig 3

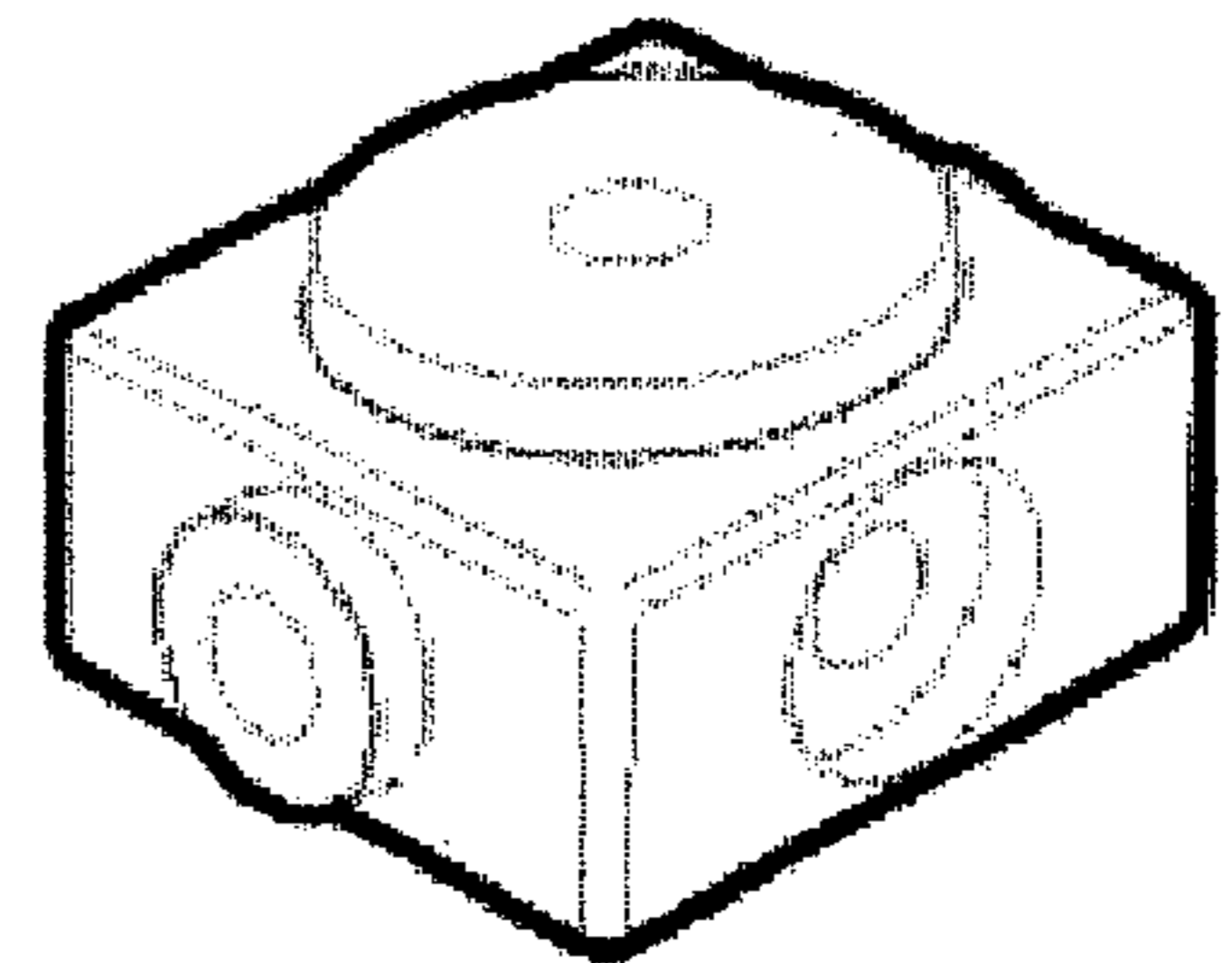


Fig 4

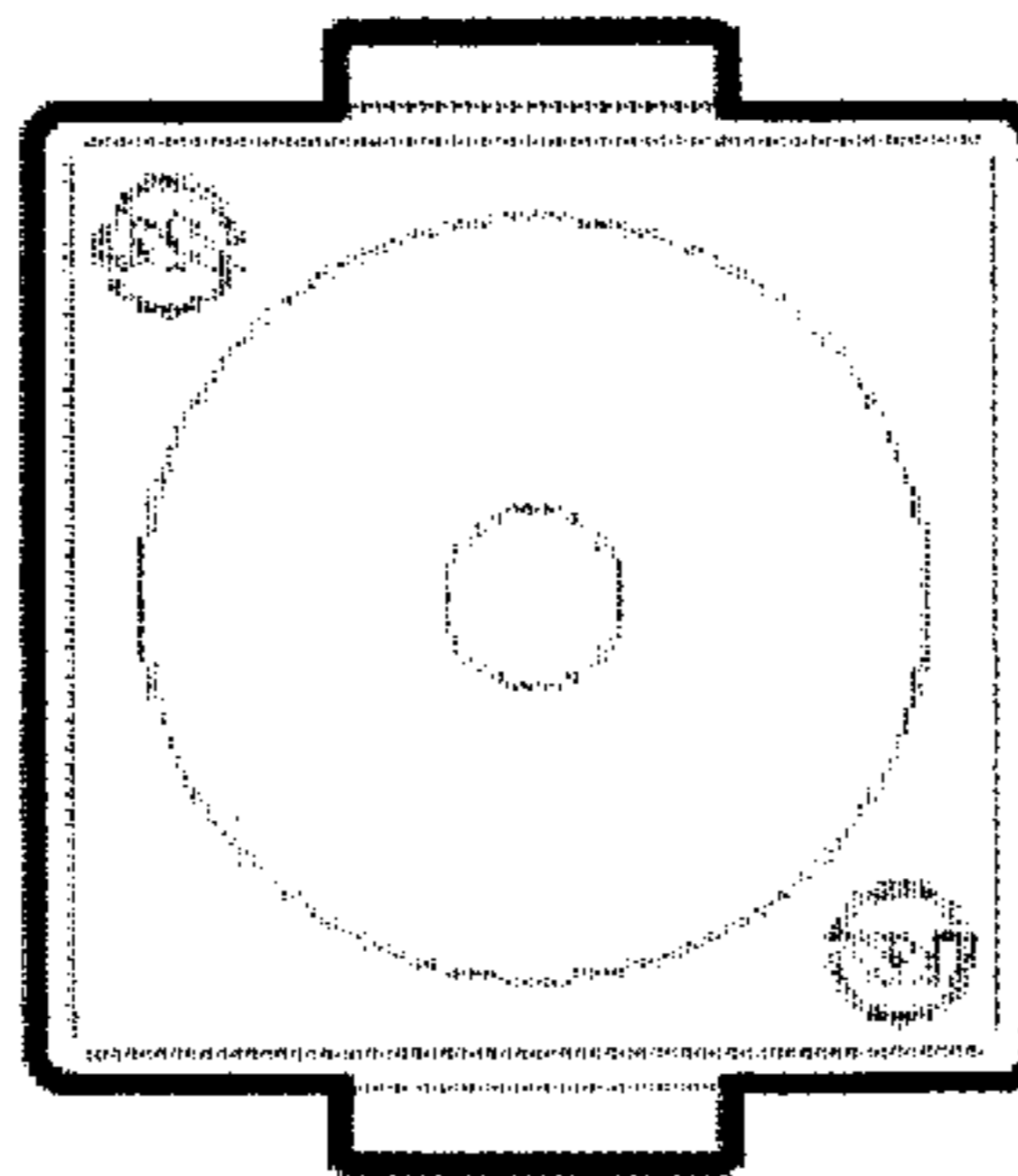


Fig 5

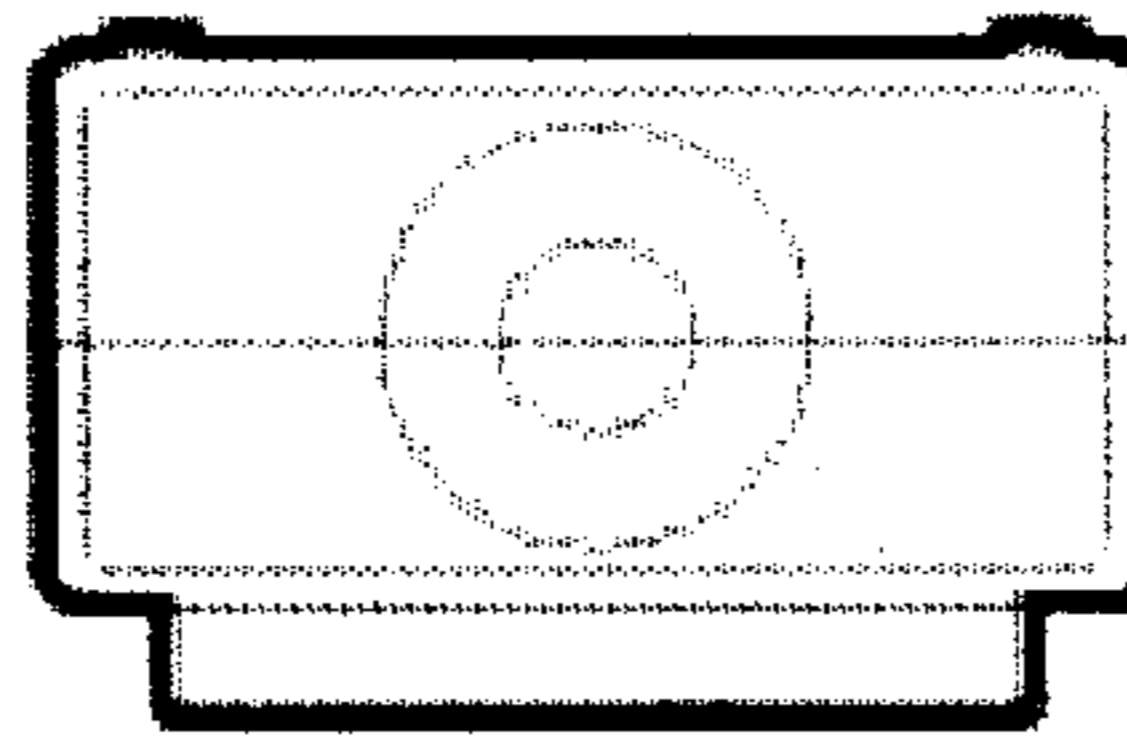


Fig 6