



US00D490476S

(12) **United States Design Patent**
Oister et al.

(10) **Patent No.:** **US D490,476 S**

(45) **Date of Patent:** **** May 25, 2004**

(54) **TABLE HOCKEY GAME WITH CLEAR SIDEBOARDS**

(75) Inventors: **Michael J. Oister**, Superior, CO (US);
William C. Boettcher, Denver, CO (US); **Thomas M. Doherty**, Golden, CO (US)

(73) Assignee: **Classic Sport Companies, Inc.**, Broomfield, CO (US)

(**) Term: **14 Years**

(21) Appl. No.: **29/186,526**

(22) Filed: **Jul. 16, 2003**

(51) **LOC (7) Cl.** **21-01**

(52) **U.S. Cl.** **D21/318**

(58) **Field of Search** D21/318, 312, D21/355, 397, 522, 334, 338, 339; 273/108, 108.1, 109, 118 R, 236, 287; D6/329, 451

(56) **References Cited**

U.S. PATENT DOCUMENTS

D347,026 S * 5/1994 Young D21/318
5,752,886 A * 5/1998 Tien 473/14

D451,556 S * 12/2001 Murrey D21/318
6,349,939 B1 * 2/2002 Tsai 273/108.1
6,409,169 B1 * 6/2002 Sutter 273/108.1
D463,827 S * 10/2002 Chen D21/318
6,457,710 B1 * 10/2002 Bisbee et al. 273/108.1
6,659,457 B1 * 12/2003 Cheng 273/108.53

* cited by examiner

Primary Examiner—Prabhakar Deshmukh

(74) *Attorney, Agent, or Firm*—Holland & Hart

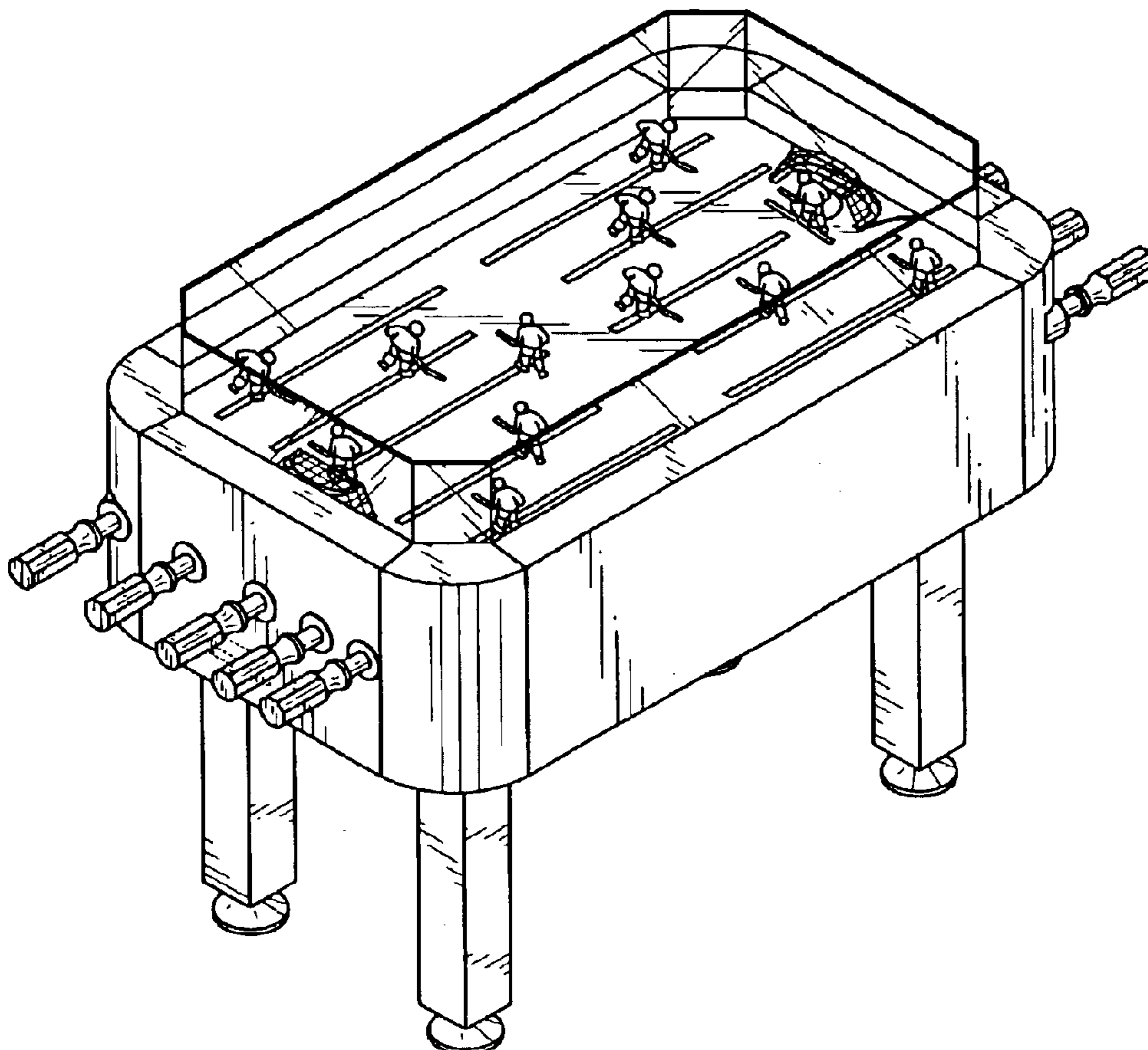
(57) **CLAIM**

The ornamental design for a table hockey game with clear sideboards, as shown and described.

DESCRIPTION

FIG. 1 is a perspective view of a table hockey game having clear sideboards showing our new design; FIG. 2 is a right side elevation view thereof; FIG. 3 is a left side elevation view thereof; FIG. 4 is a front side elevation view thereof; FIG. 5 is a back side elevation view thereof; FIG. 6 is top plan view thereof; and, FIG. 7 is a bottom plan view thereof.

1 Claim, 4 Drawing Sheets



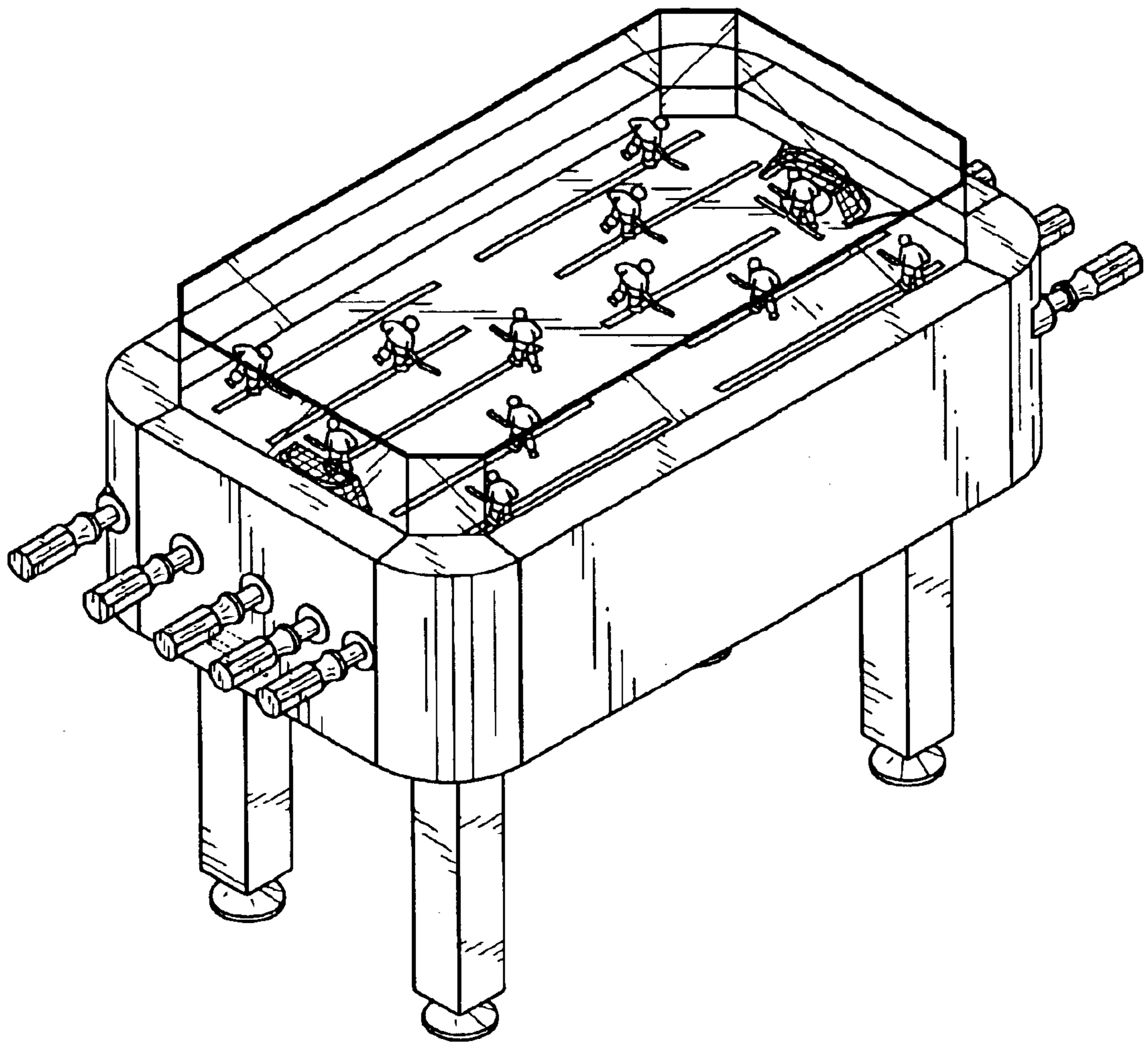


FIG.1

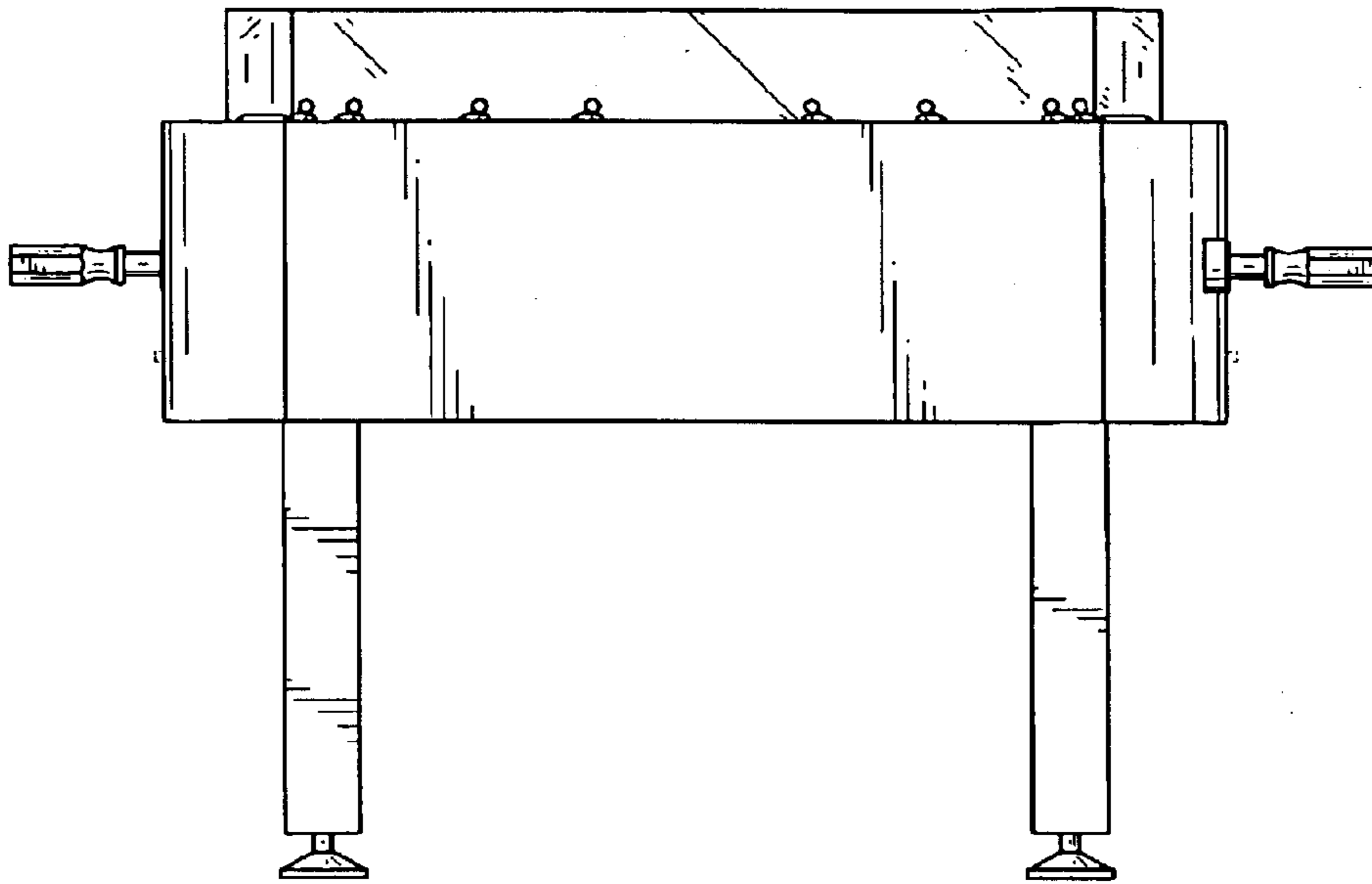


FIG.2

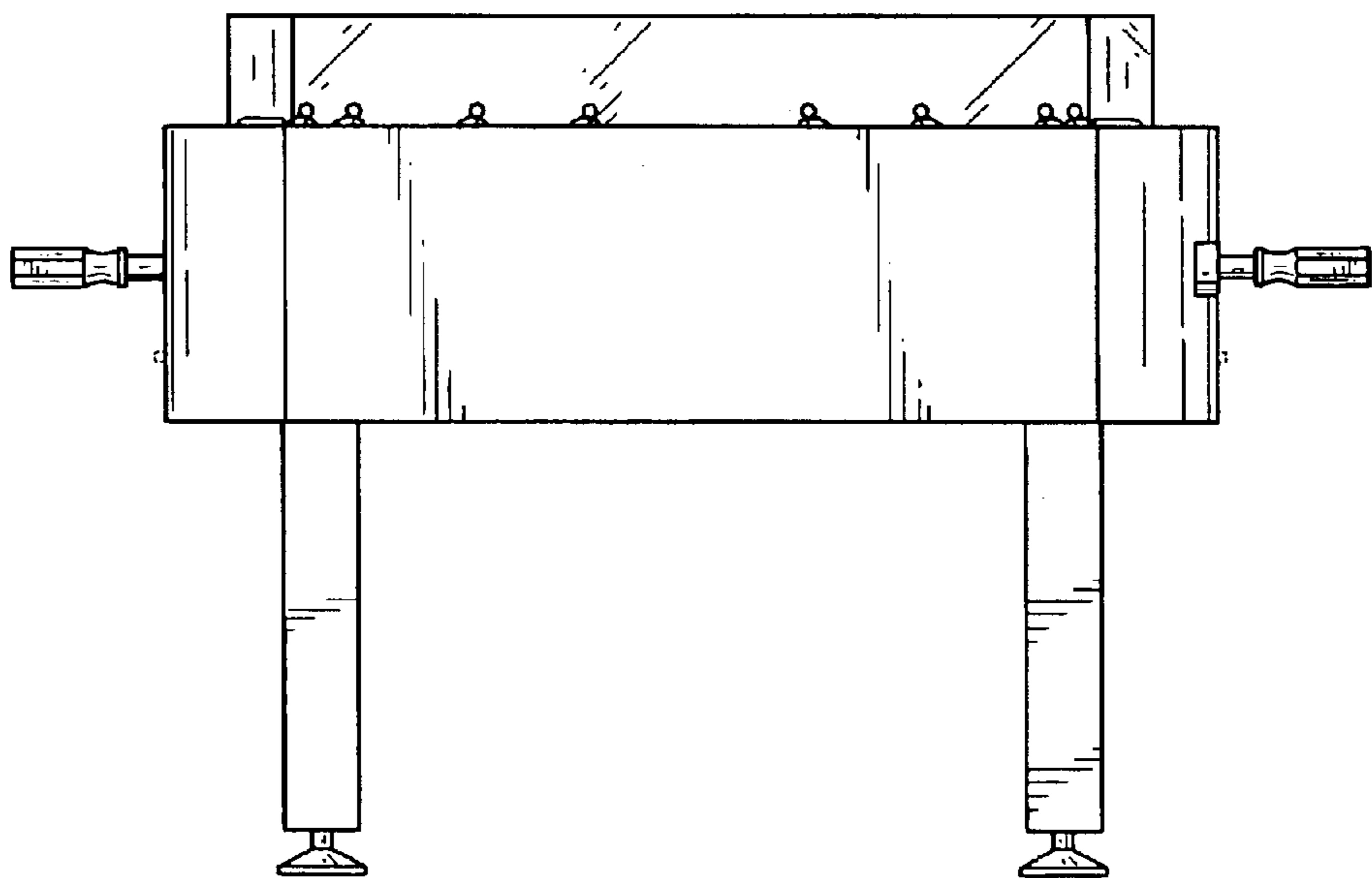


FIG.3

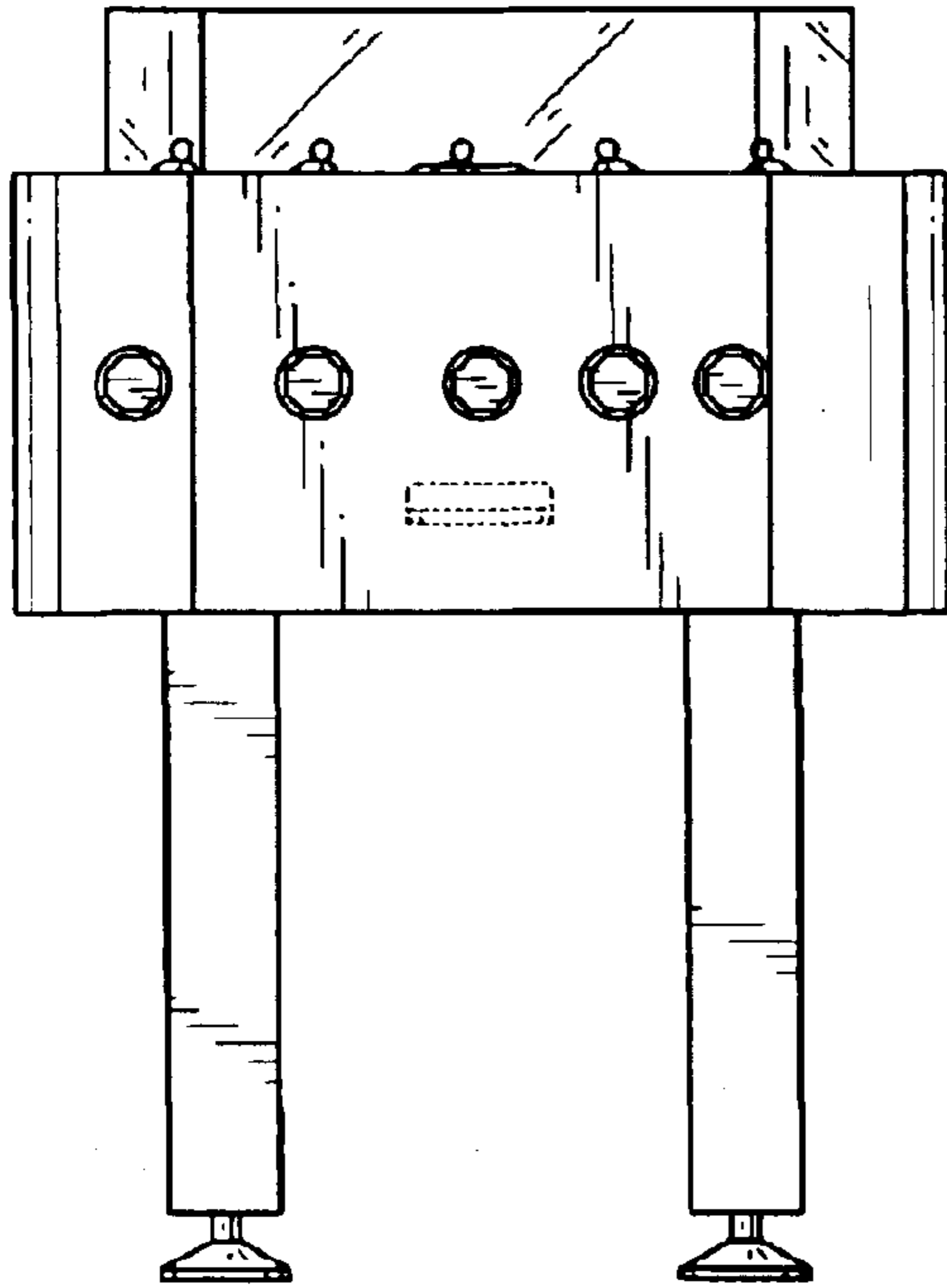


FIG. 4

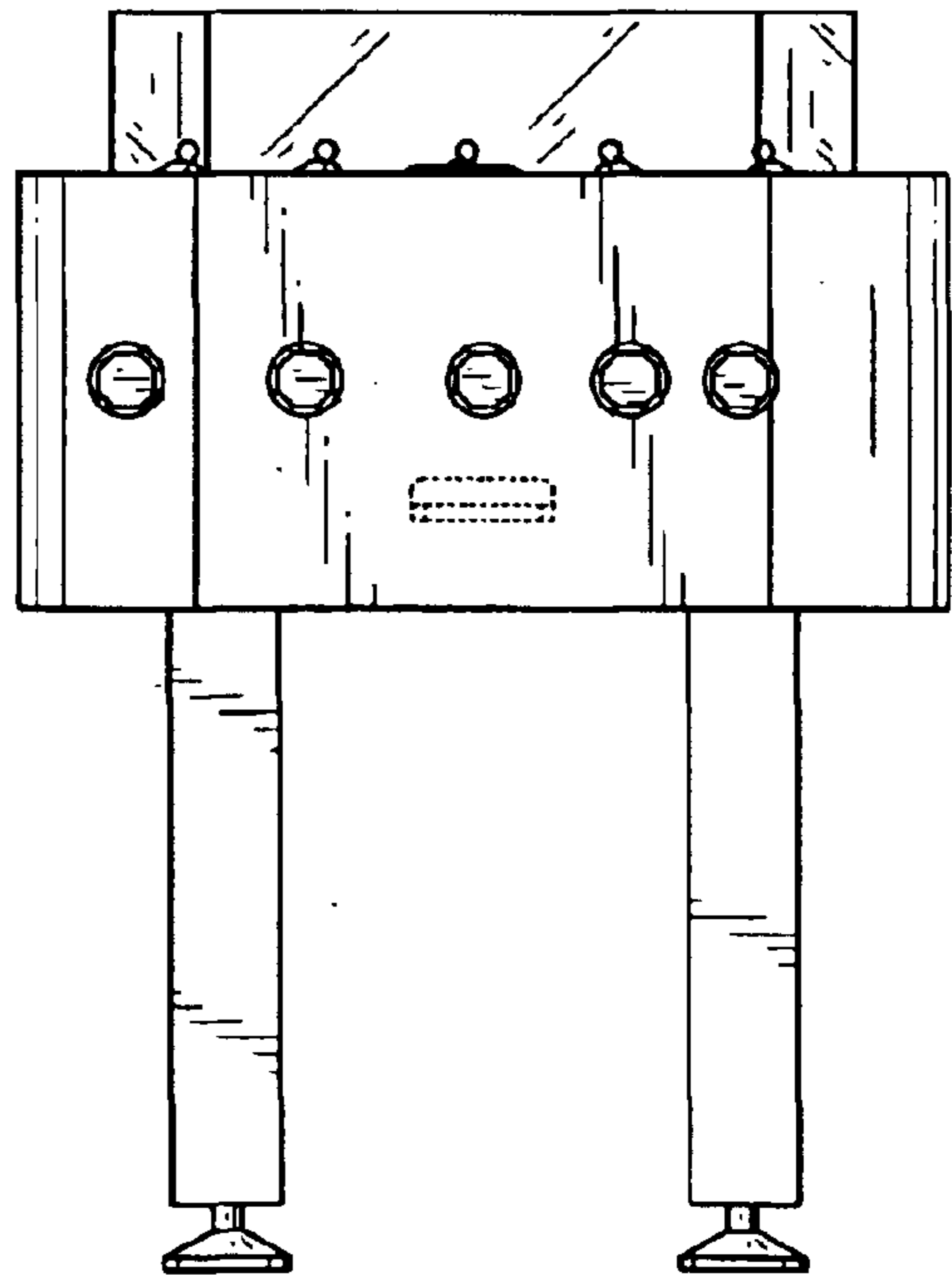


FIG. 5

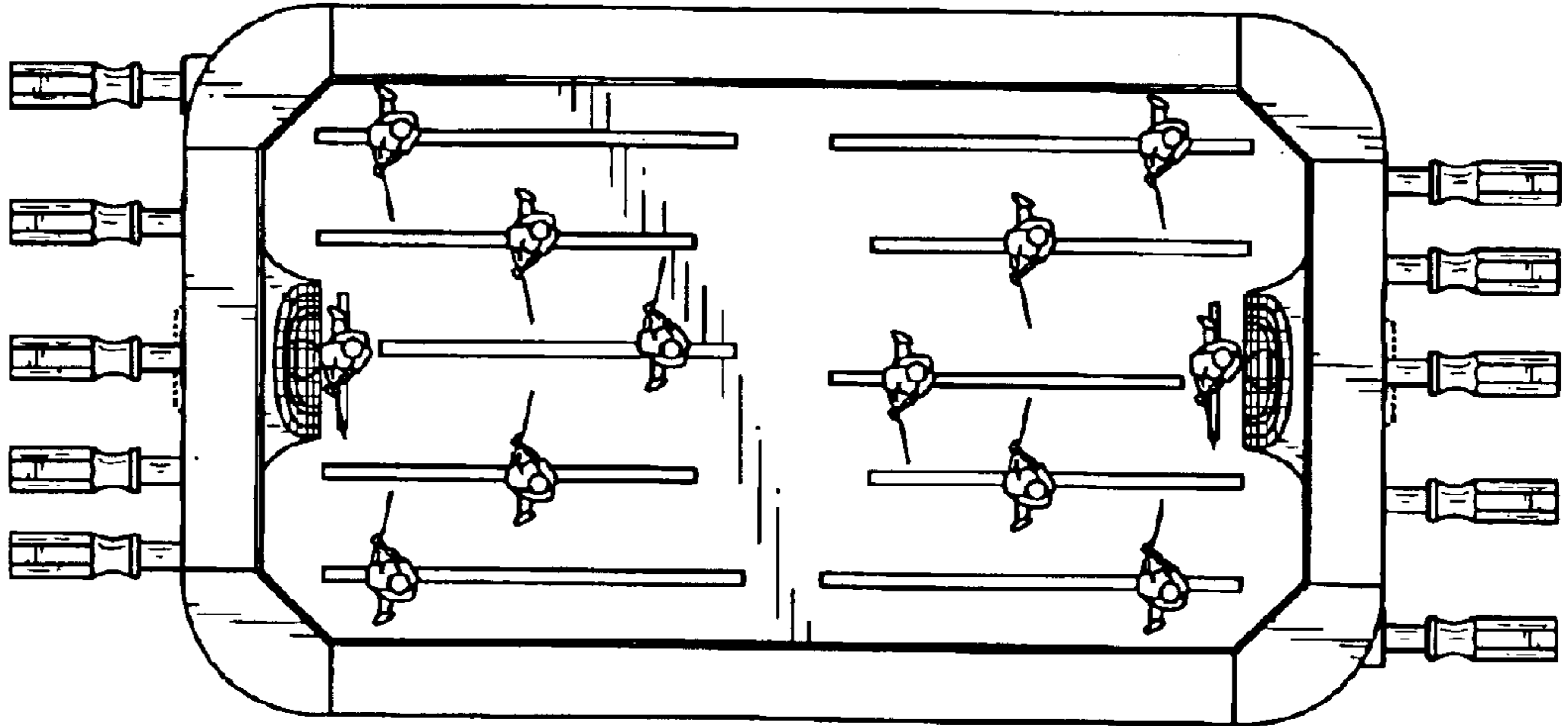


FIG. 6

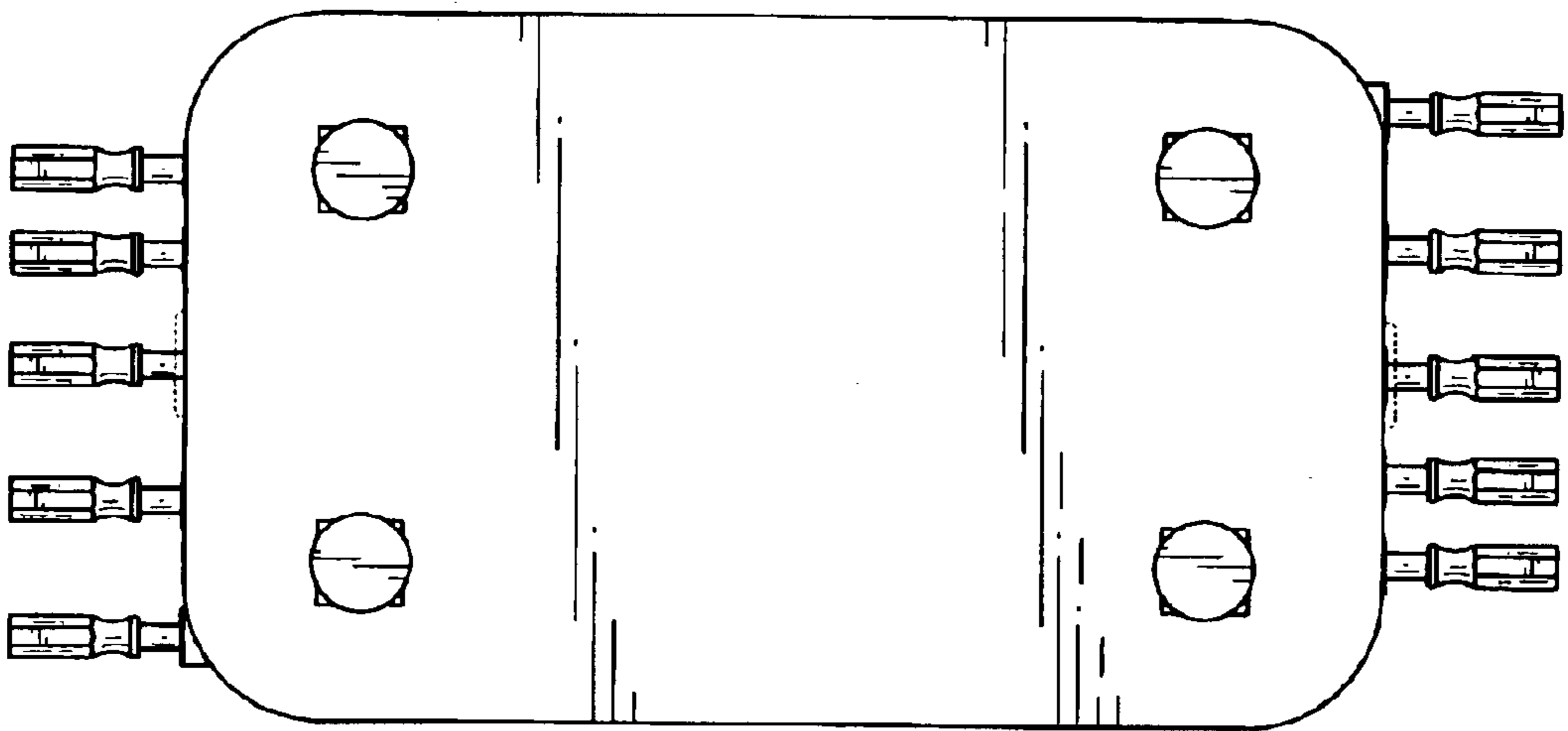


FIG. 7