



US00D490473S

(12) **United States Design Patent**
Knobel

(10) **Patent No.:** **US D490,473 S**

(45) **Date of Patent:** **** May 25, 2004**

(54) **INTERNAL BEZEL FOR TICKETS AND
VOUCHERS**

D359,765 S * 6/1995 Izawa D20/9
D404,075 S * 1/1999 Hatamachi et al. D20/8

(75) **Inventor:** **Larry Knobel**, Homer, NY (US)

* cited by examiner

(73) **Assignee:** **TransAct Technologies Incorporated**,
Wallingford, CT (US)

Primary Examiner—Robert M. Spear

(74) *Attorney, Agent, or Firm*—Barry R. Lipsitz

(**) **Term:** **14 Years**

(57) **CLAIM**

The ornamental design for an internal bezel for tickets and
vouchers, as shown and described.

(21) **Appl. No.:** **29/177,773**

(22) **Filed:** **Mar. 14, 2003**

DESCRIPTION

(51) **LOC (7) Cl.** **20-01**

(52) **U.S. Cl.** **D20/8**

(58) **Field of Search** D20/1-9, 99; D99/28;
D18/3.2, 3.3, 47, 56; 194/206-7, 336, 345-6,
350

FIG. 1 is a front, top and right side perspective view showing
the design;

FIG. 2 is a rear, top and right side perspective view showing
the design;

FIG. 3 is a top plan view showing the design;

FIG. 4 is a front elevational view showing the design;

FIG. 5 is a left side view showing the design, the right side
view being a mirror image thereof;

FIG. 6 is a rear elevational view showing the design; and,

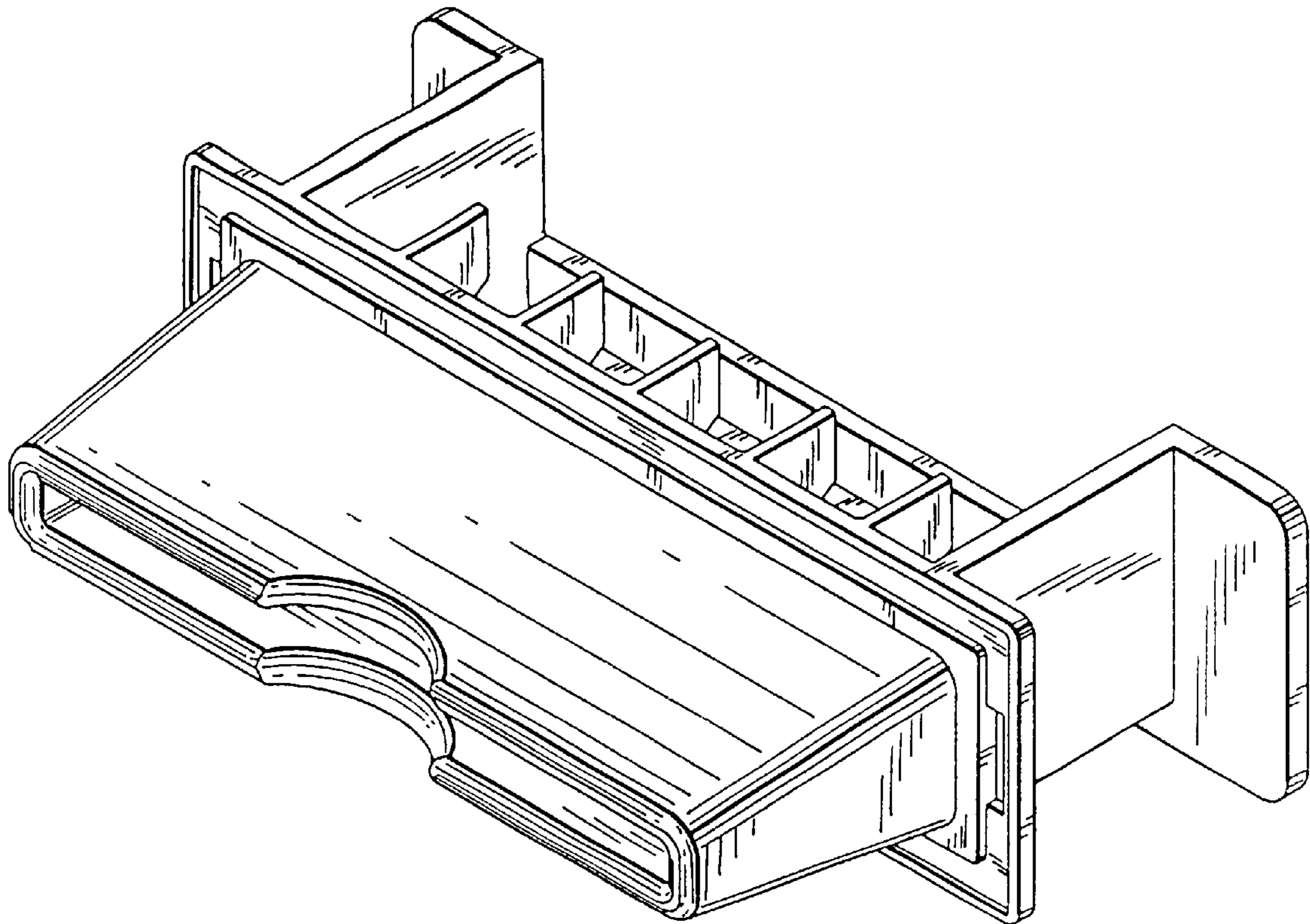
FIG. 7 is a bottom plan view showing the design.

(56) **References Cited**

U.S. PATENT DOCUMENTS

D49,077 S * 5/1916 Stern D20/1
D247,828 S * 5/1978 Moore et al. D20/8
D329,465 S * 9/1992 Kastanek D20/8

1 Claim, 4 Drawing Sheets



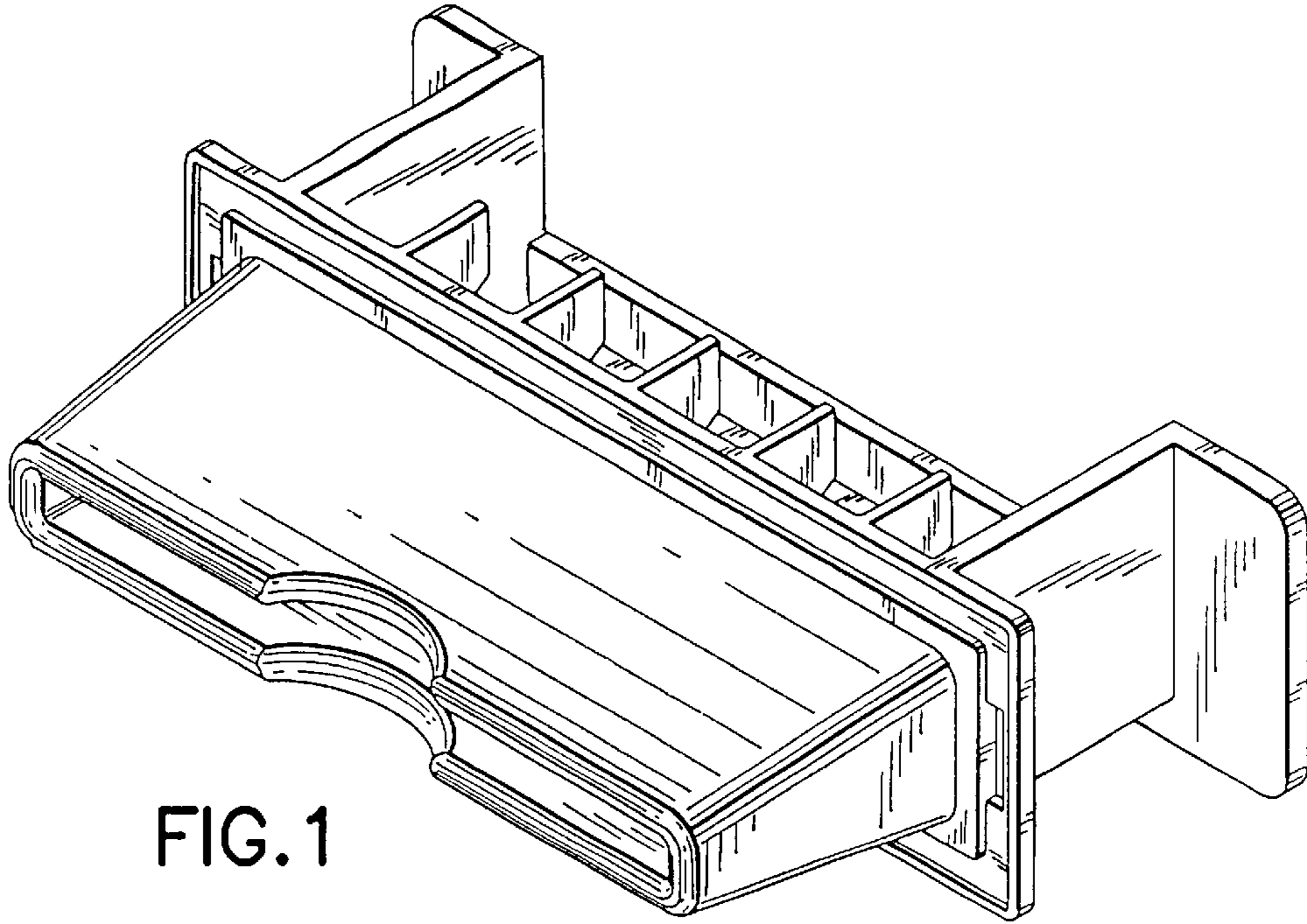


FIG. 1

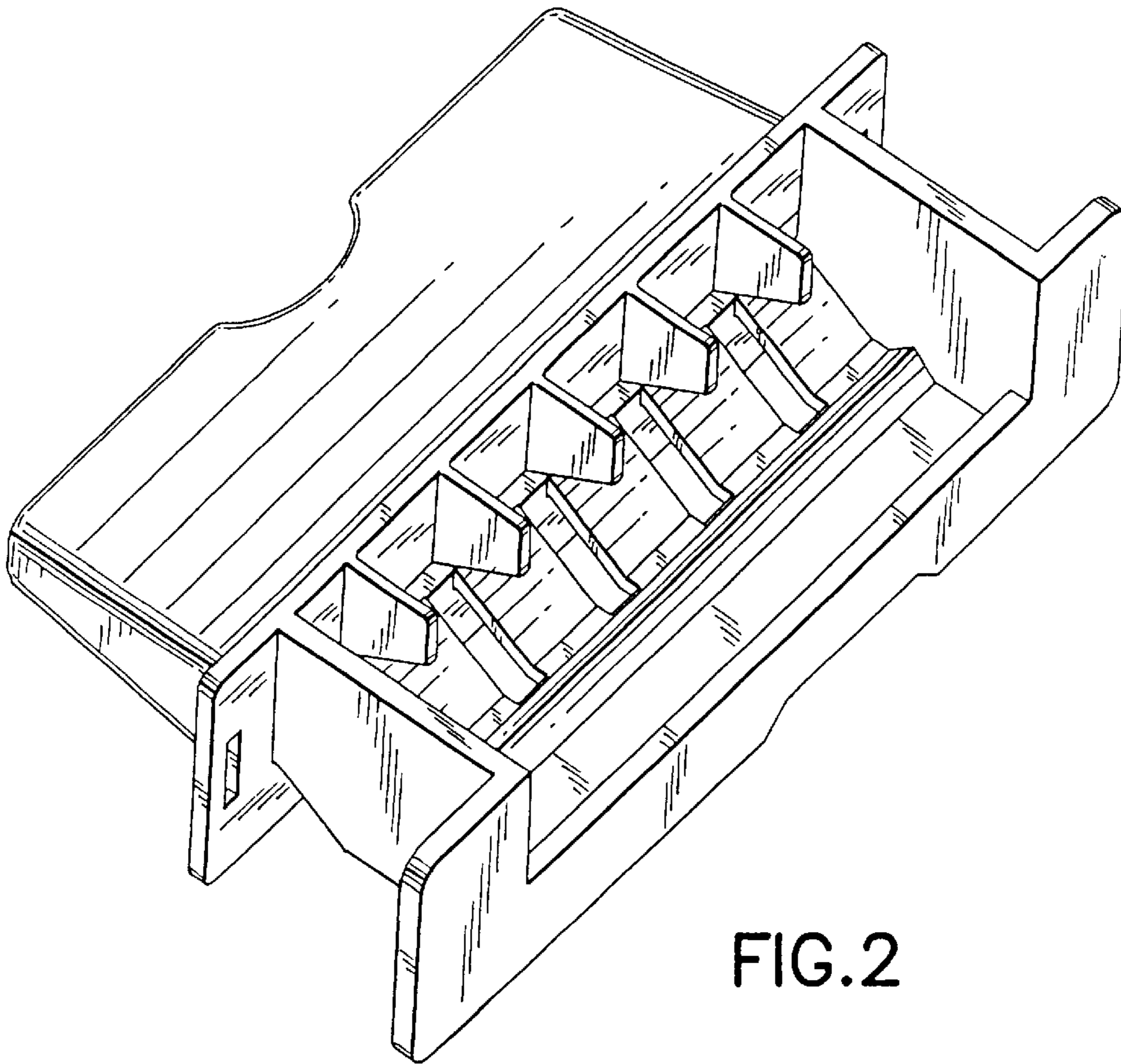


FIG. 2

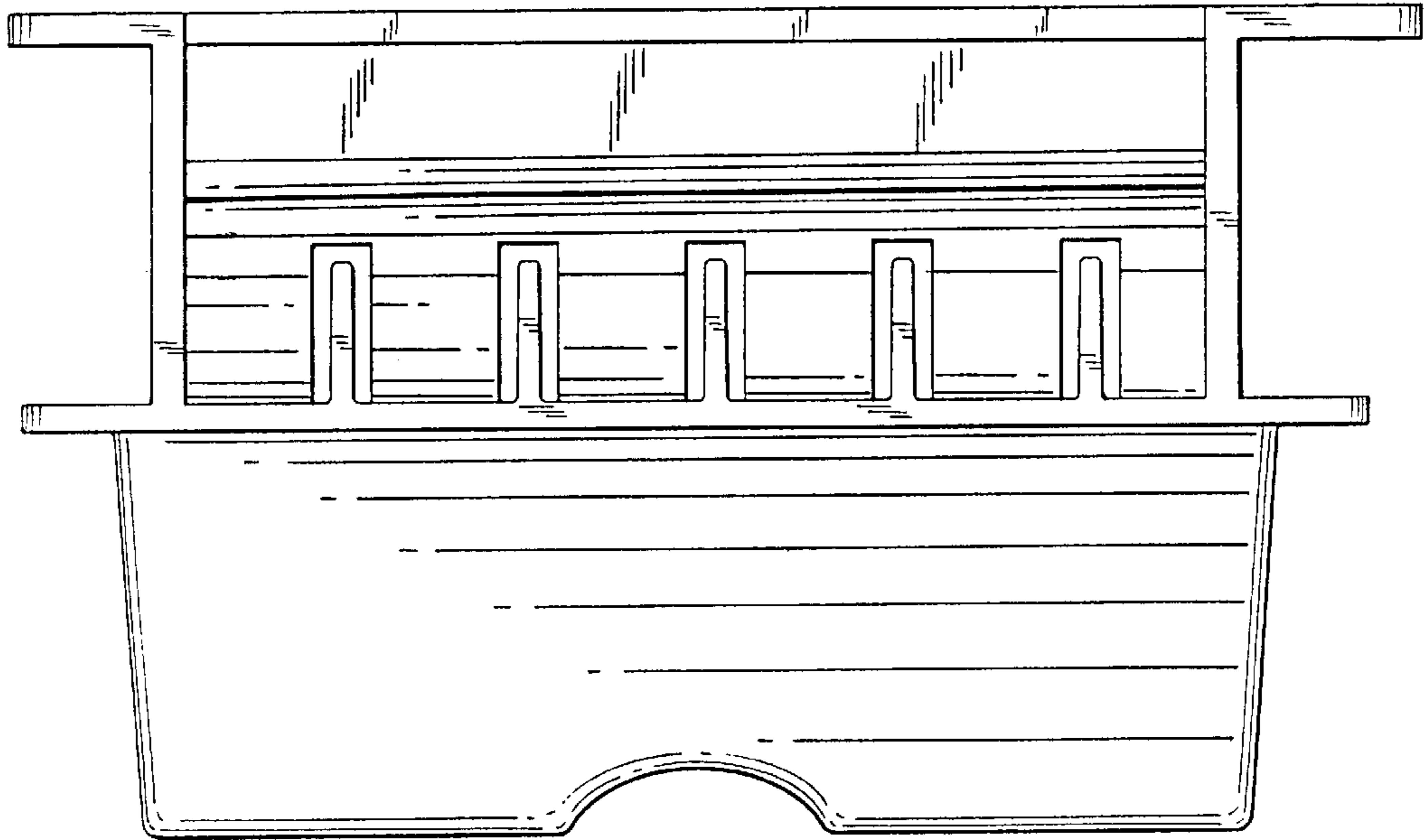


FIG. 3

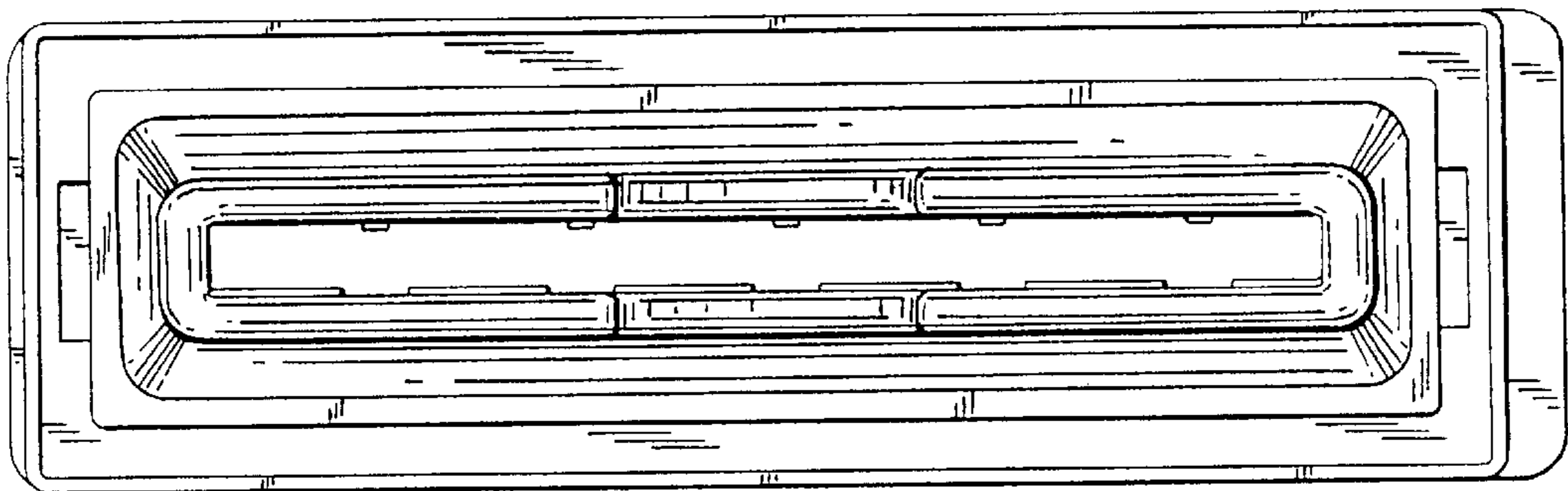


FIG. 4

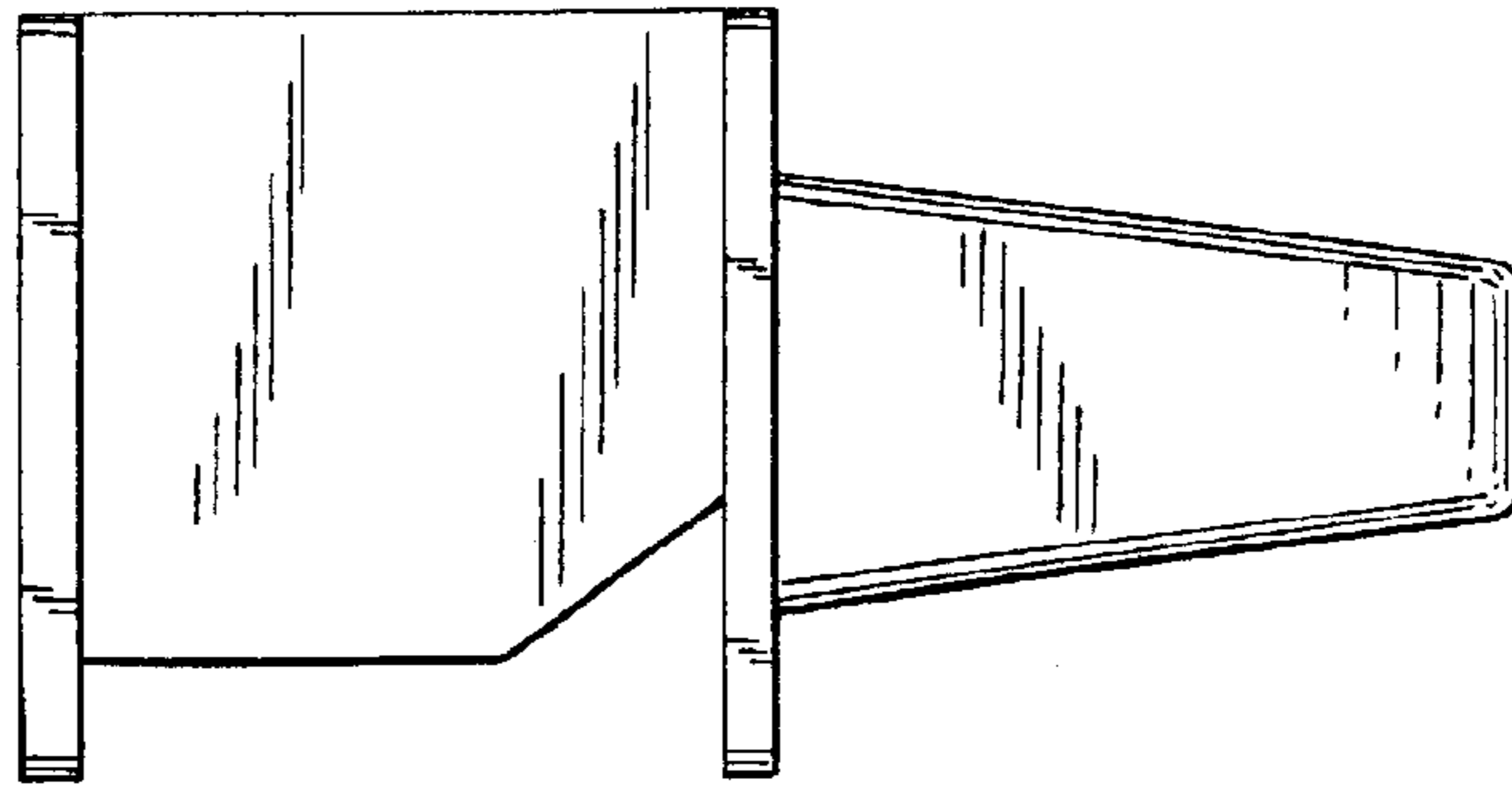


FIG. 5

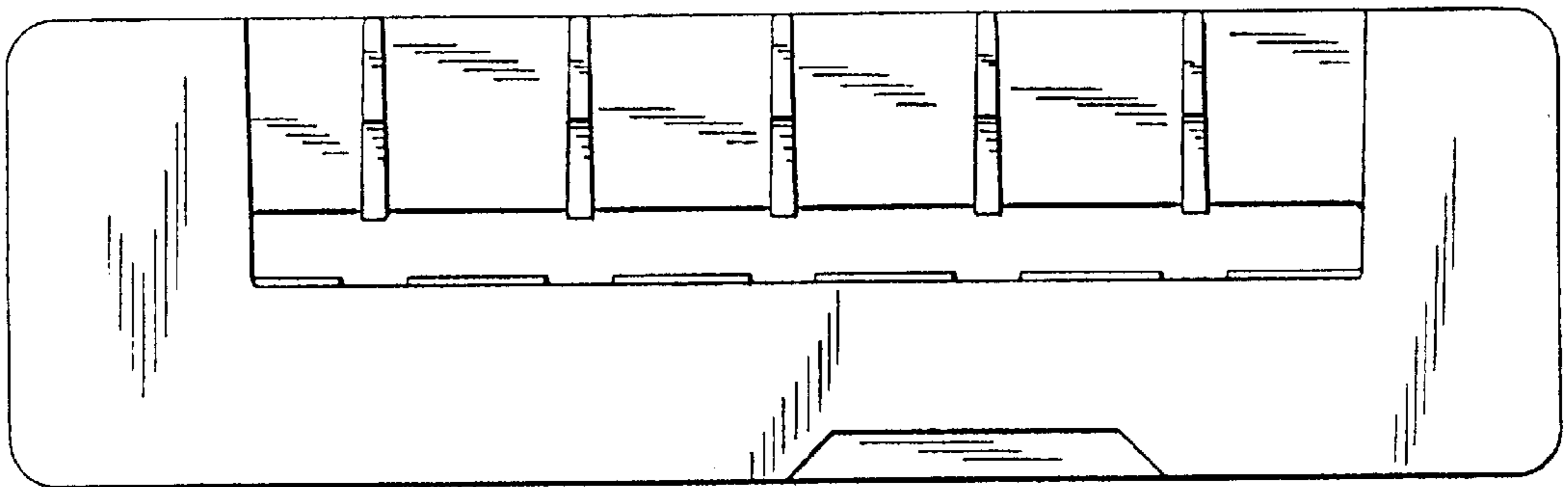


FIG. 6

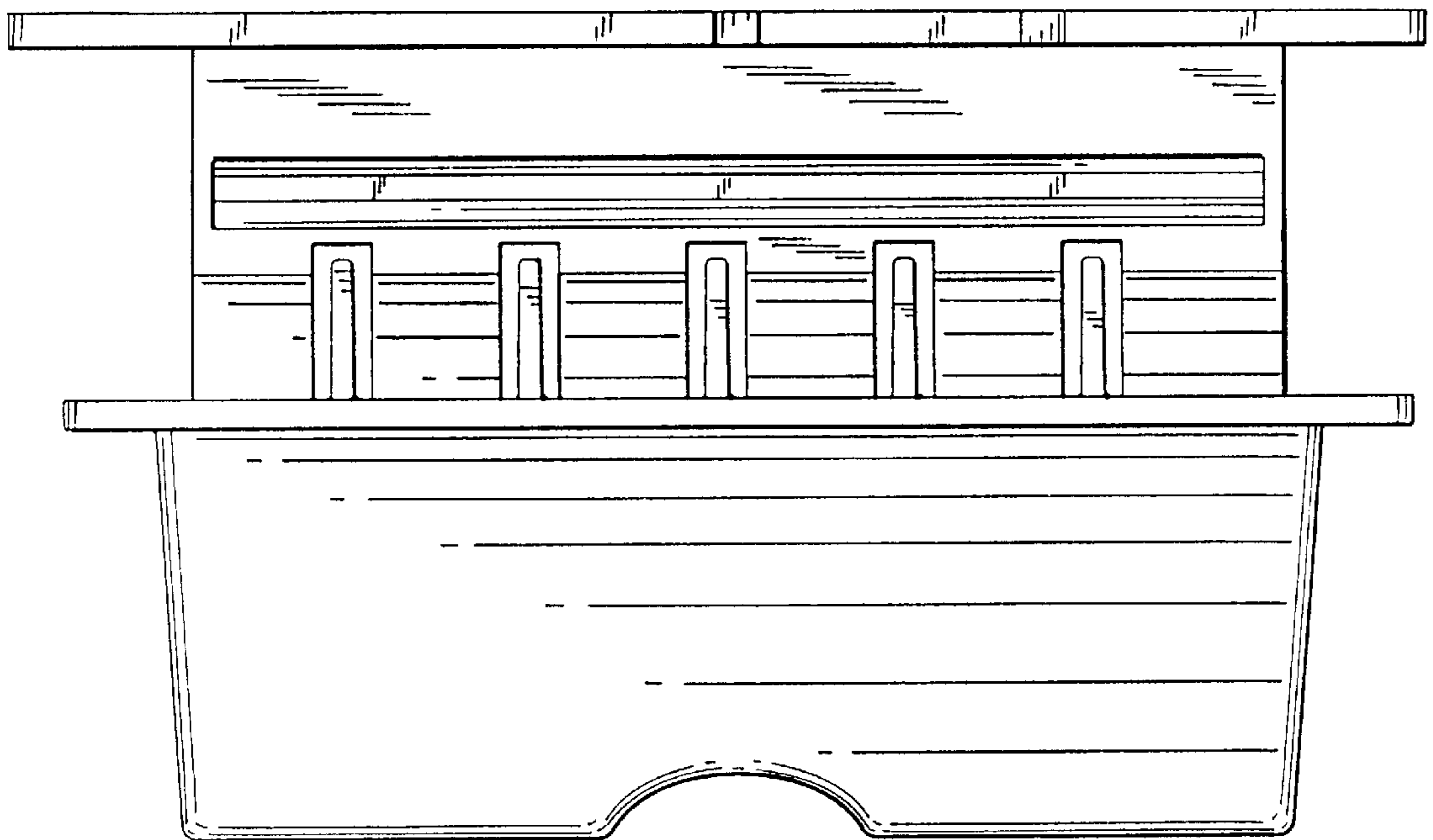


FIG.7