



US00D490468S

(12) **United States Design Patent**
Akers

(10) **Patent No.:** **US D490,468 S**

(45) **Date of Patent:** **** May 25, 2004**

(54) **GLUE DISPENSER**

(76) Inventor: **Paul Akers**, 3725 Irongate Rd. #105,
Bellingham, WA (US) 98226

(**) Term: **14 Years**

(21) Appl. No.: **29/168,169**

(22) Filed: **Sep. 25, 2002**

(51) **LOC (7) Cl.** **19-02**

(52) **U.S. Cl.** **D19/66; D9/338; D9/524**

(58) **Field of Search** D19/65, 66, 70,
D19/71, 93, 99, 100; D9/338, 347, 435,
440, 445, 447, 449, 453, 523-526, 530;
222/92, 94, 206, 209-215, 544, 562, 566,
568; 401/143, 183; 141/19, 330

(56) **References Cited**

U.S. PATENT DOCUMENTS

D94,814 S	*	3/1935	Dunne	D9/524
D117,295 S	*	10/1939	Smith	D9/523
D146,127 S	*	12/1946	Billups	D9/523
D222,939 S	*	2/1972	Haas	D9/526 X
4,049,160 A	*	9/1977	Rumm	222/215
D263,930 S	*	4/1982	Pardo et al.	D9/524
5,071,039 A		12/1991	Anglehart		
D372,671 S	*	8/1996	Bossert et al.	D9/347
D378,493 S	*	3/1997	Subbaraman et al.	D9/524

D390,786 S	*	2/1998	Saunders et al.	D9/523
D424,115 S	*	5/2000	Kuboshima	D19/66

* cited by examiner

Primary Examiner—Martie K. Holtje
(74) *Attorney, Agent, or Firm*—Michael R. Schacht;
Schacht Law Office, Inc.

(57) **CLAIM**

The new design for a glue dispenser, as shown and described.

DESCRIPTION

FIG. 1 is a left side elevational view of a glue dispenser showing my new design;
FIG. 2 is a front elevational view thereof;
FIG. 3 is a top plan view thereof;
FIG. 4 is a rear elevational view thereof;
FIG. 5 is a right side elevational view thereof;
FIG. 6 is a bottom plan view thereof;
FIG. 7 is a left side elevational view of FIG. 1 shown with a dispensing tip cover;
FIG. 8 is a front elevational view of FIG. 7;
FIG. 9 is a top plan view of FIG. 7;
FIG. 10 is a rear elevational view of FIG. 7;
FIG. 11 is a right side elevational view of FIG. 7; and,
FIG. 12 is a bottom plan view of FIG. 7.

1 Claim, 4 Drawing Sheets

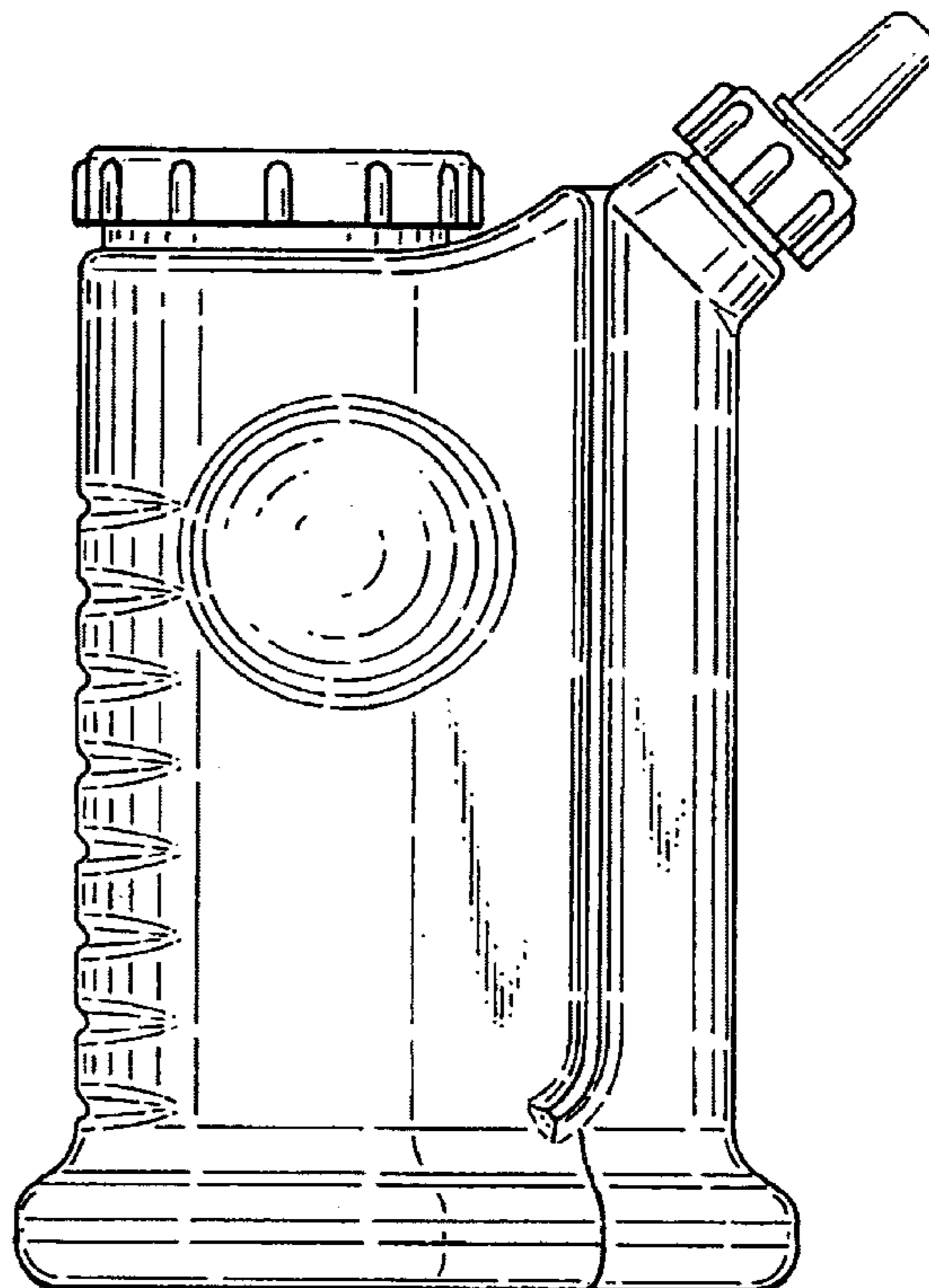
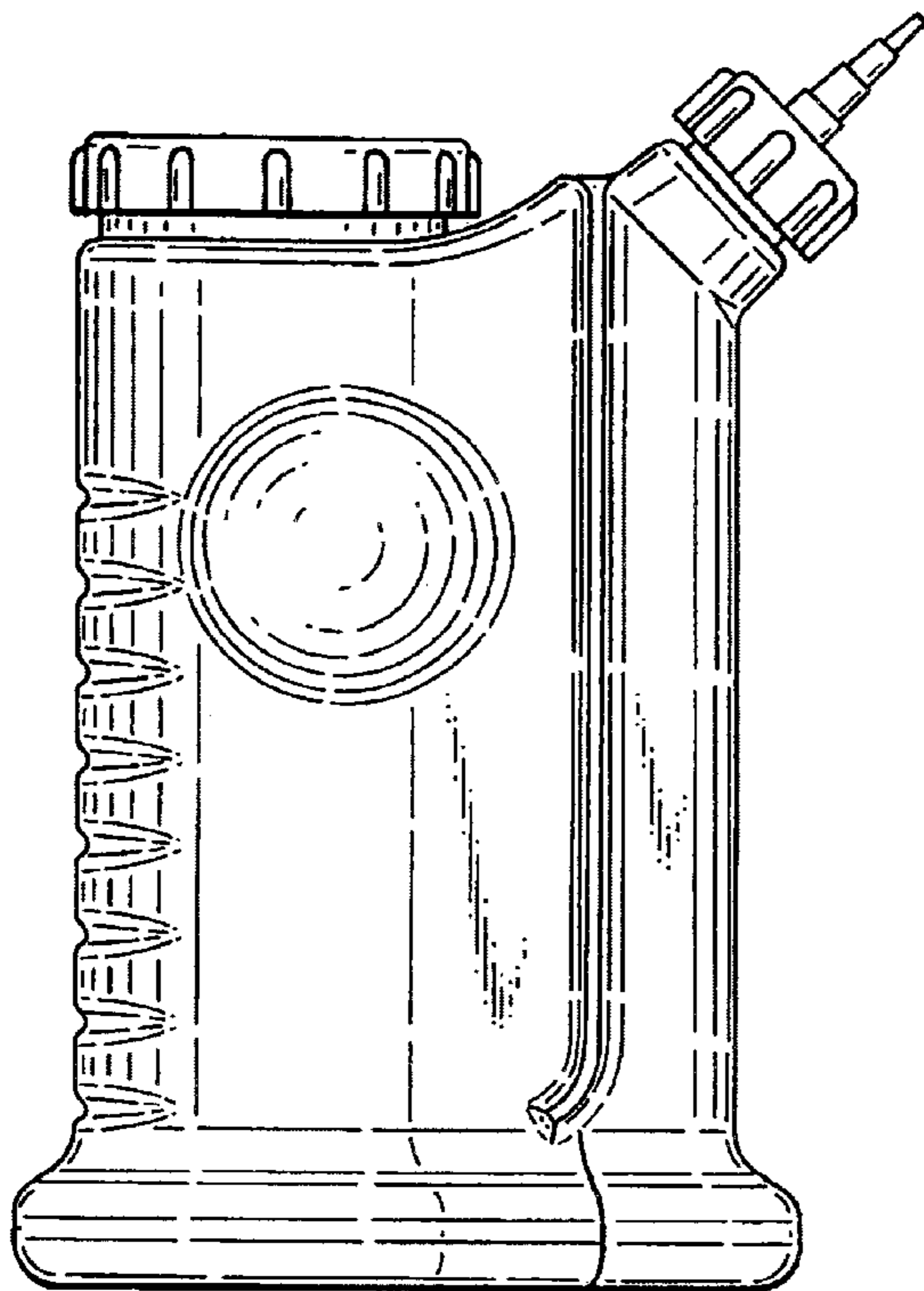


FIG. 1

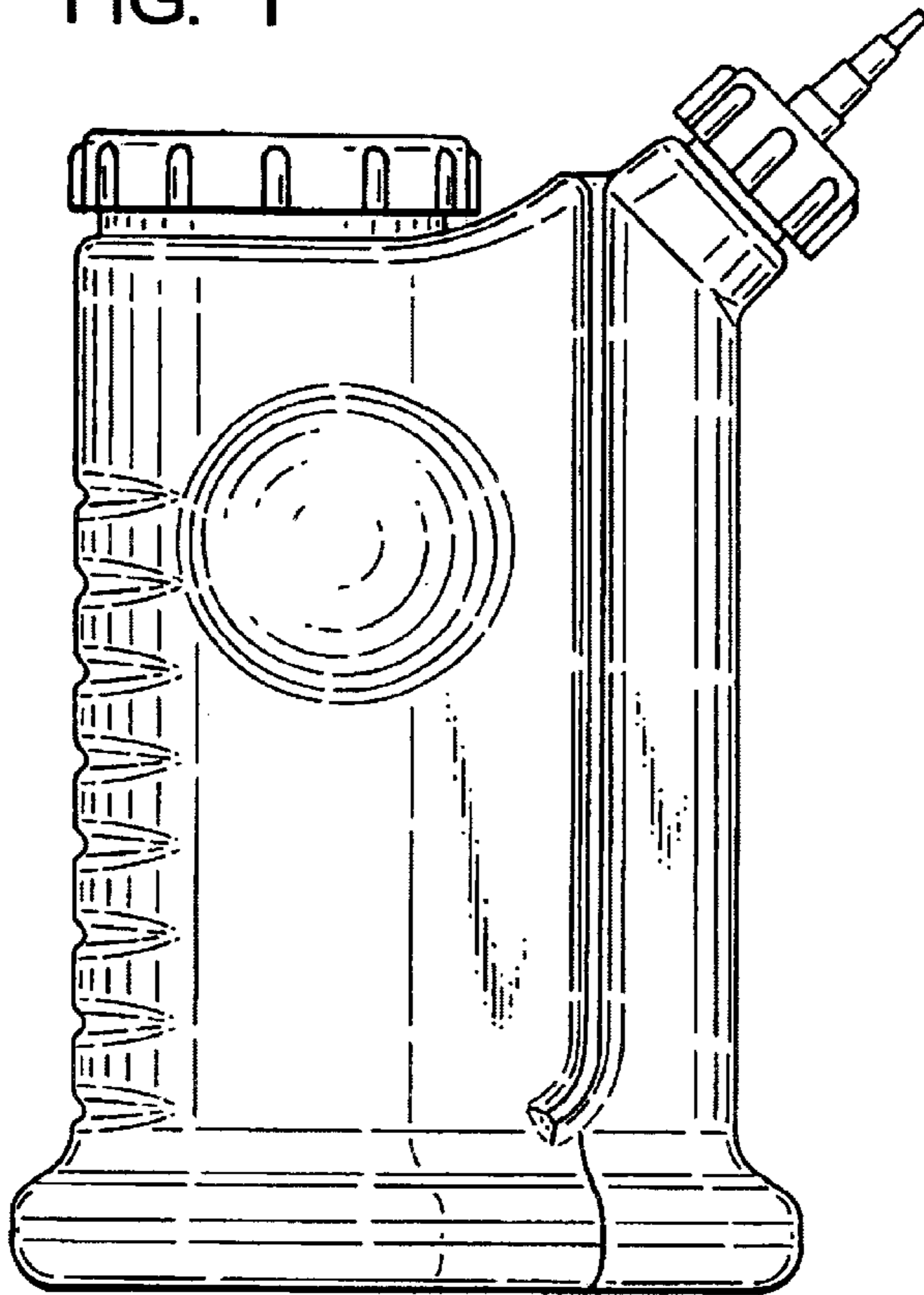


FIG. 2

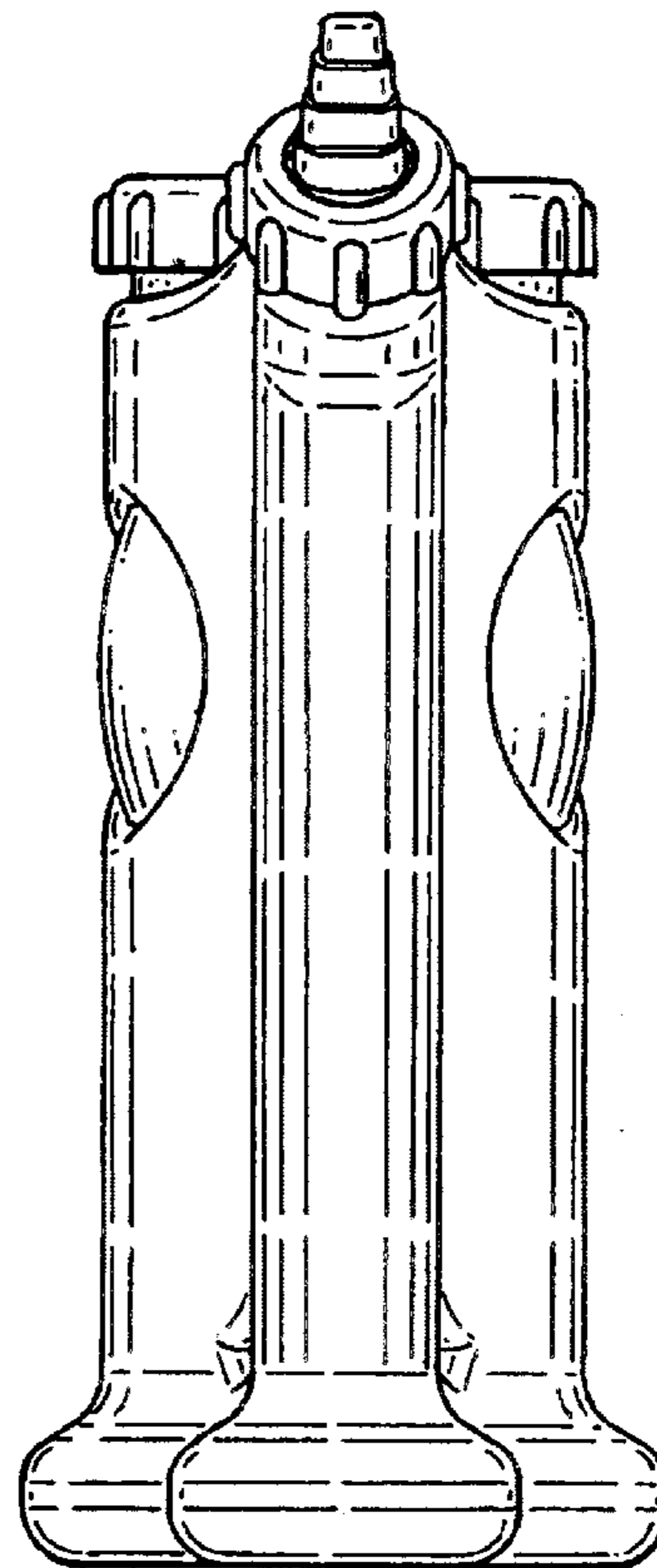


FIG. 3

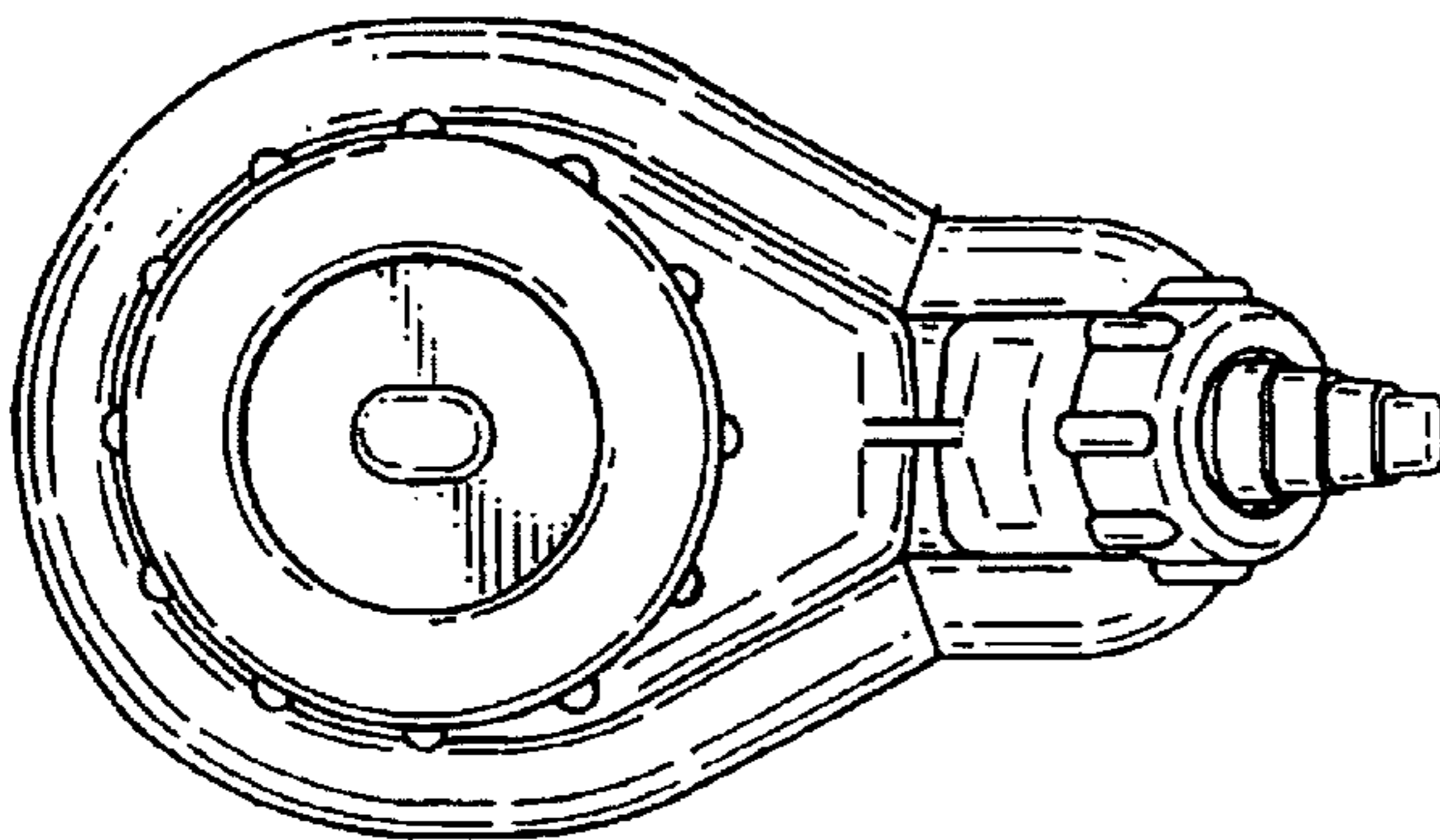


FIG. 4

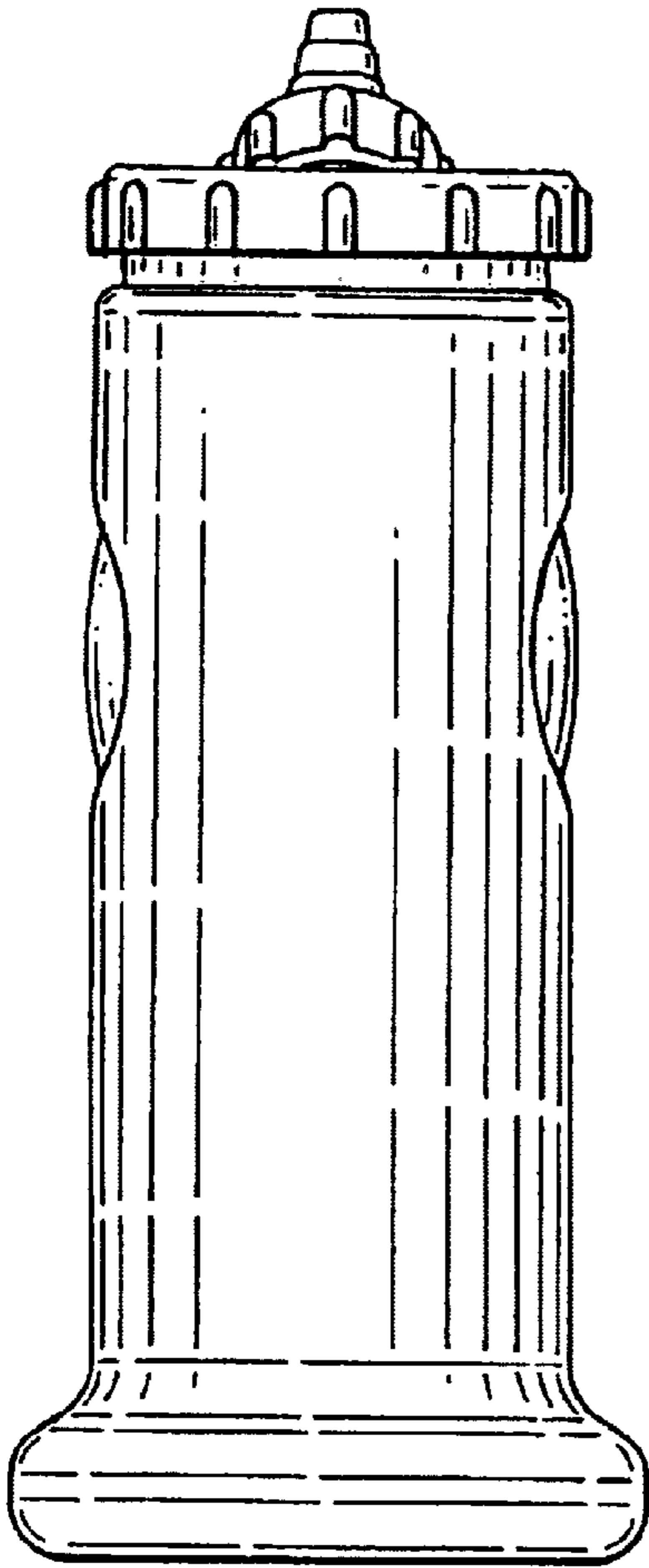


FIG. 5

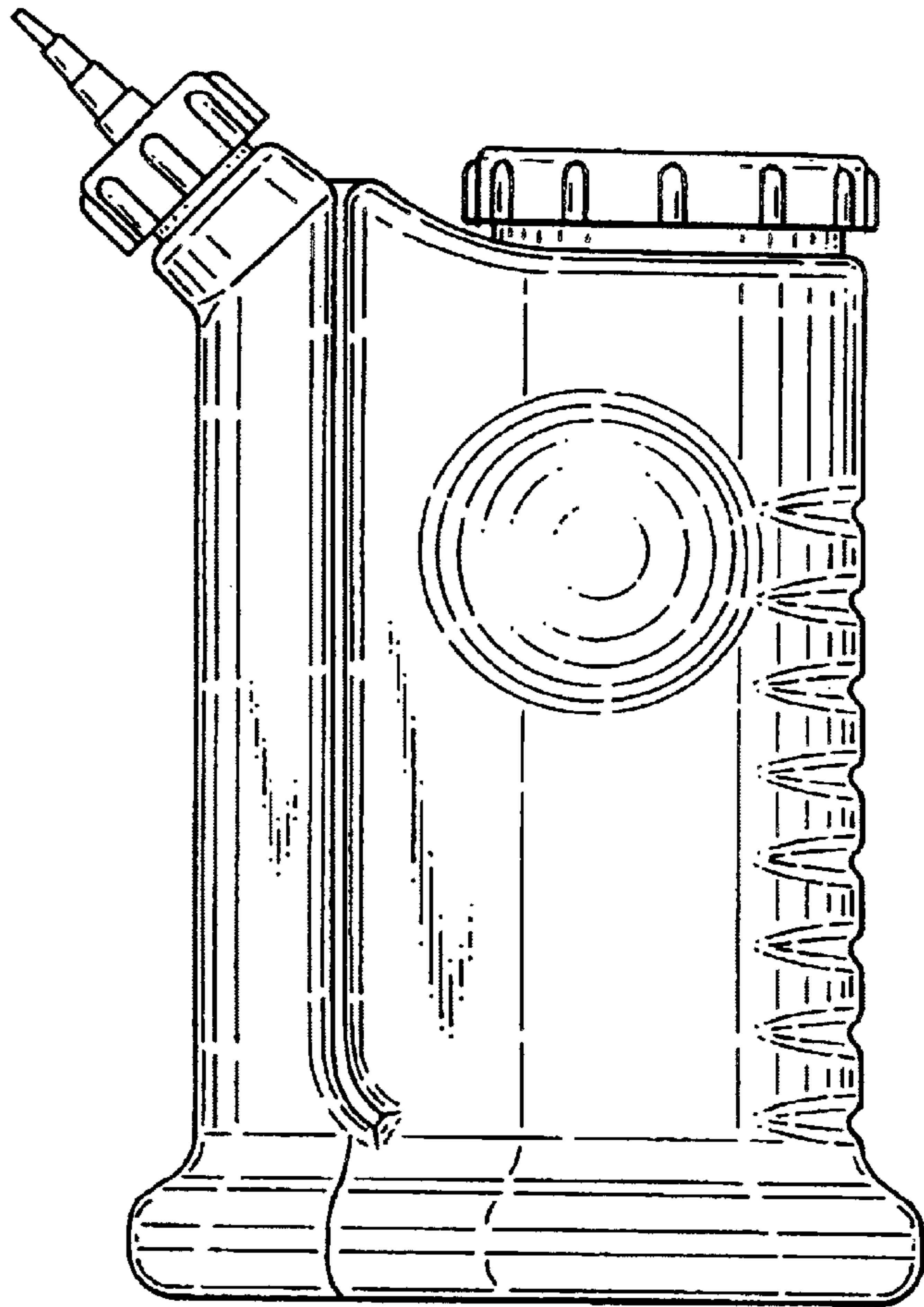


FIG. 6

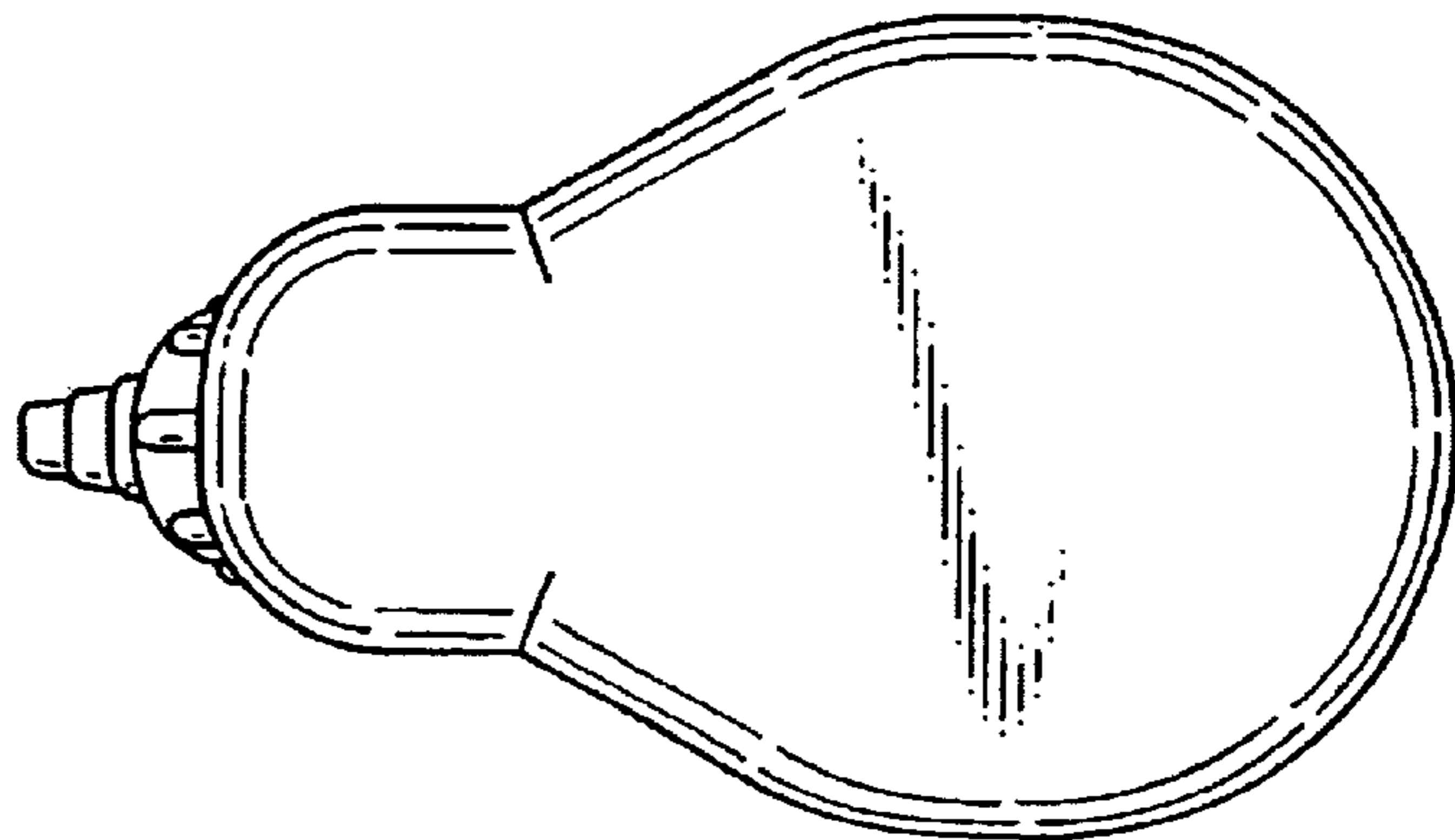


FIG. 7

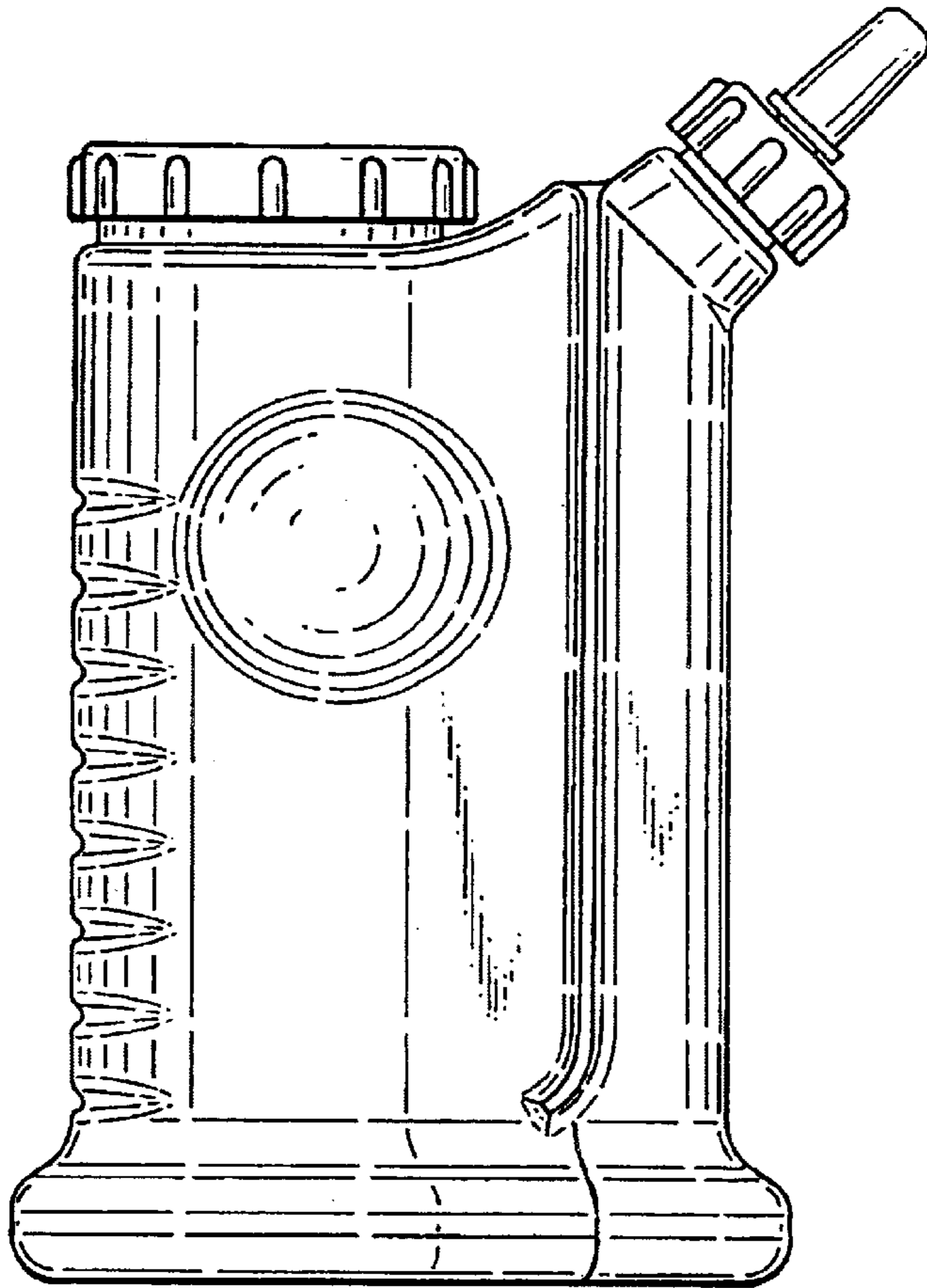


FIG. 8

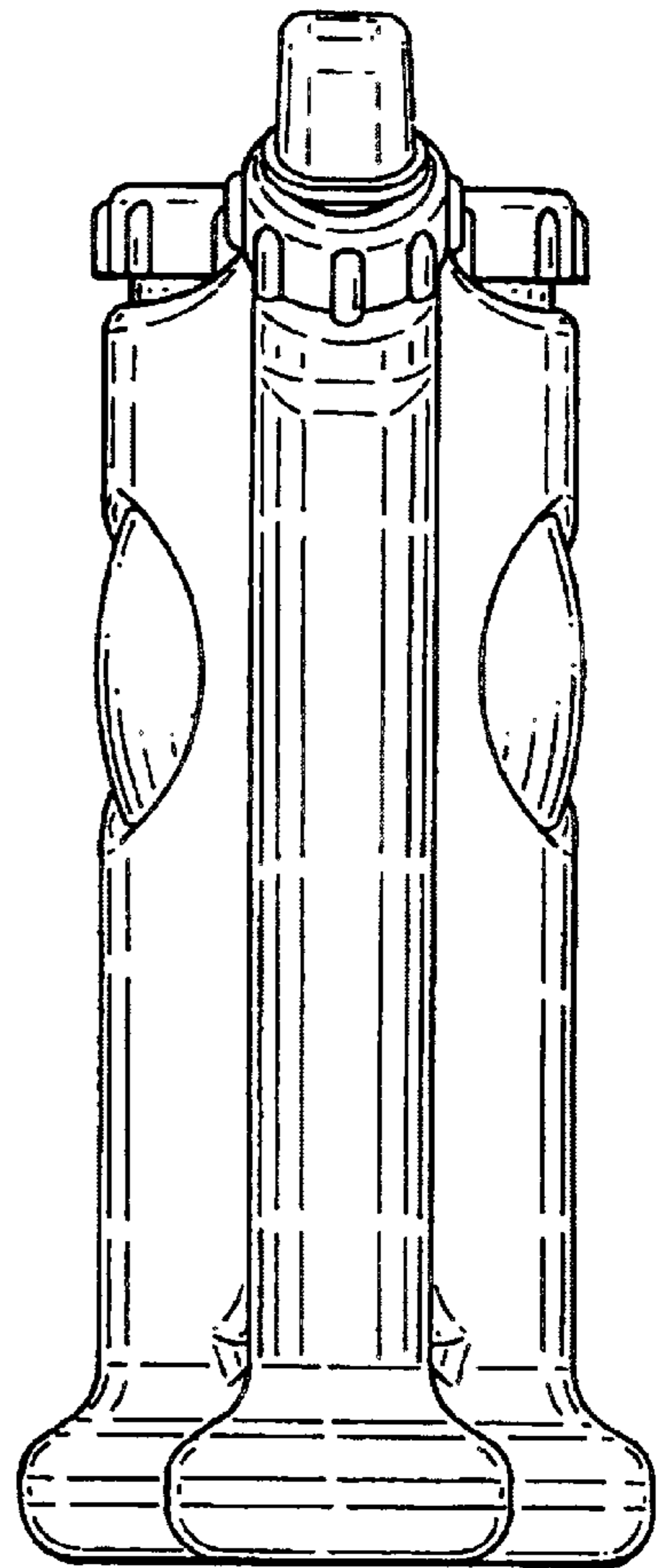


FIG. 9

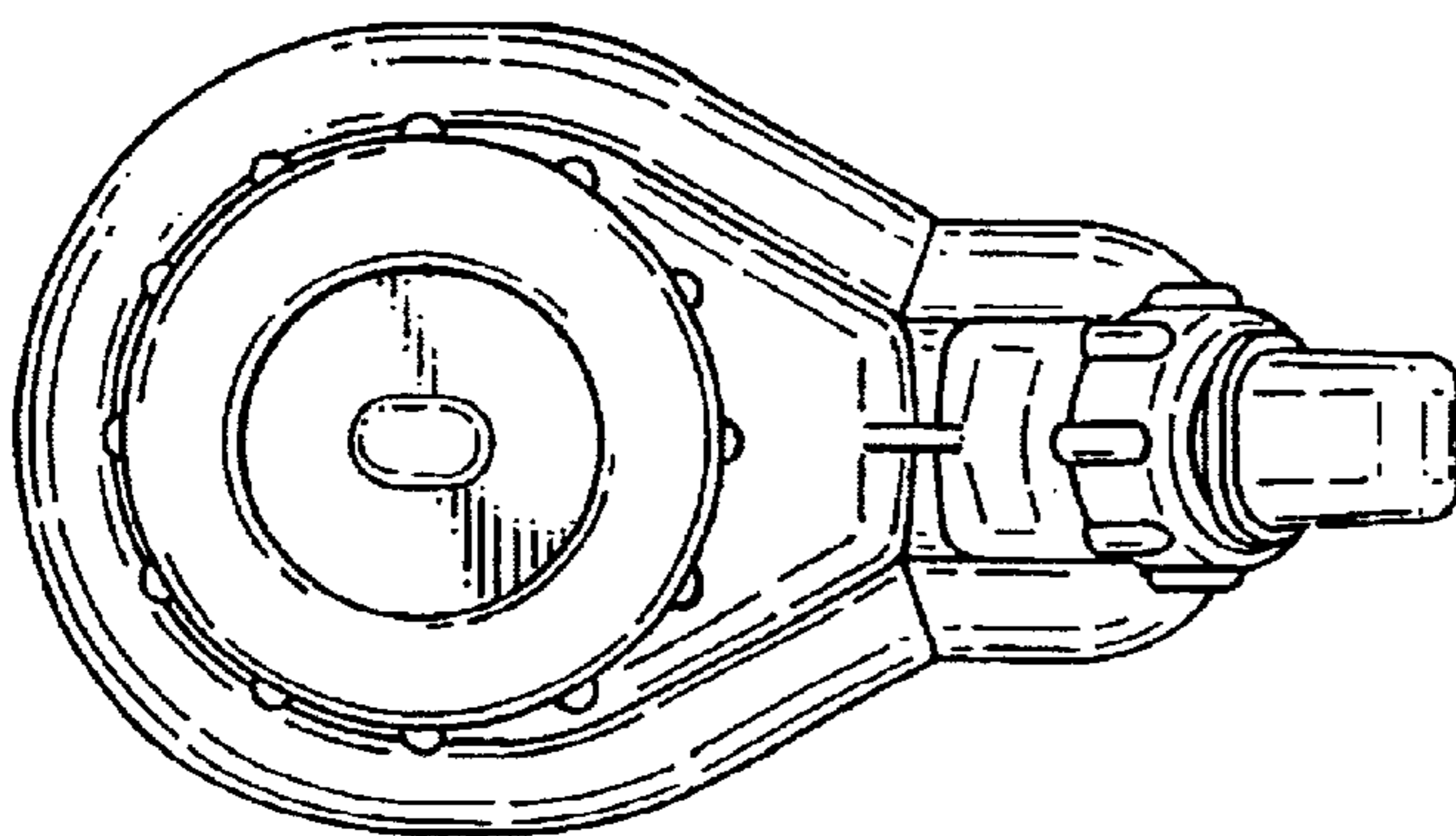


FIG. 10

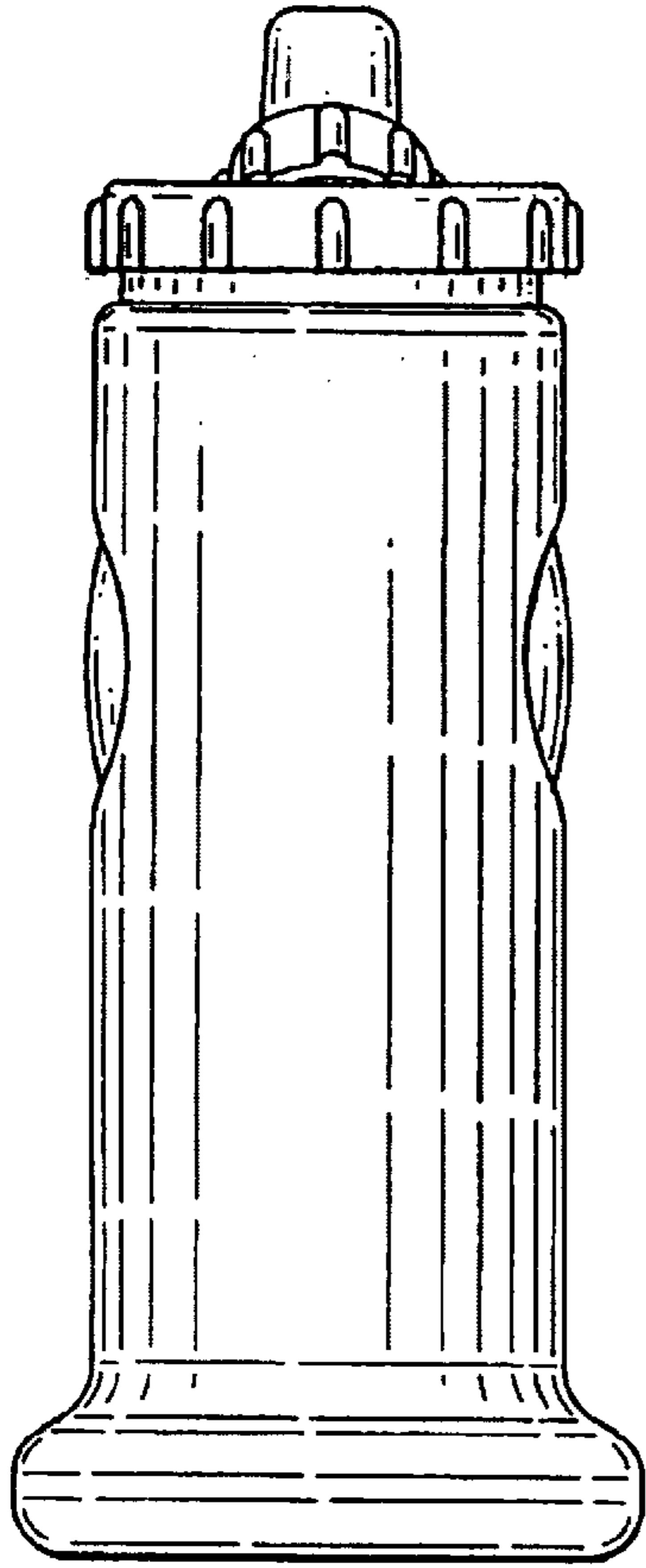


FIG. 11

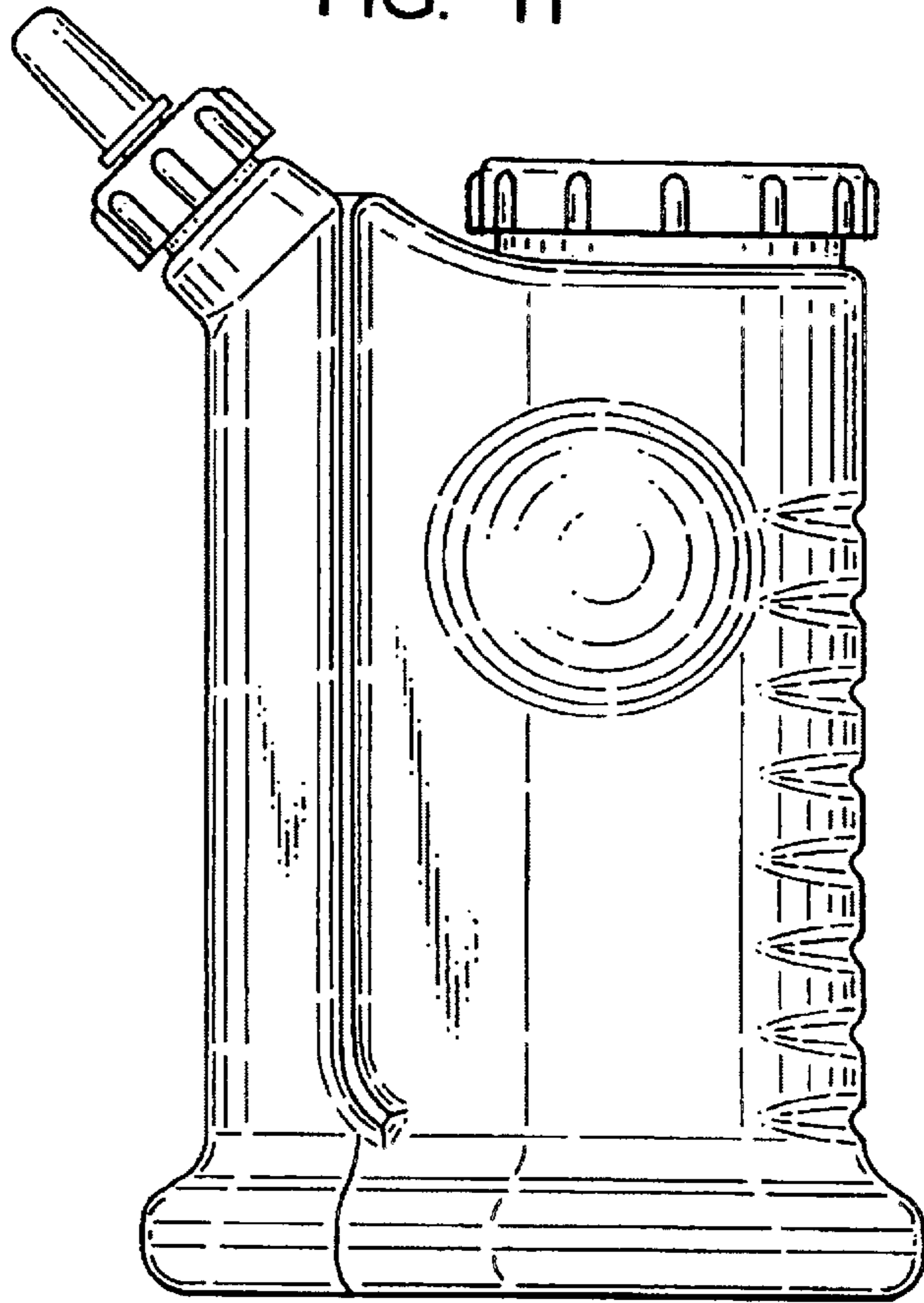


FIG. 12

