



US00D490464S

(12) **United States Design Patent**  
**Andrews et al.**

(10) **Patent No.: US D490,464 S**

(45) **Date of Patent: \*\* May 25, 2004**

- (54) **WRITING INSTRUMENT**
- (75) Inventors: **Neville Andrews**, Naperville, IL (US);  
**Galina Treyer**, Northbrook, IL (US)
- (73) Assignee: **Sanford, L.P.**, Bellwood, IL (US)
- (\*\*) Term: **14 Years**
- (21) Appl. No.: **29/179,180**
- (22) Filed: **Apr. 4, 2003**
- (51) **LOC (7) Cl.** ..... **19-06**
- (52) **U.S. Cl.** ..... **D19/43; D19/51; D19/56**
- (58) **Field of Search** ..... D19/35, 36, 41-51,  
D19/53-58, 81-85; 401/98, 202, 209, 213,  
243-247, 262, 221, 222; 24/10 R, 11 R,  
11 C, 11 CT, 11 P, 11 PP

D438,245 S	2/2001	Hollington et al. ....	D19/50
D438,246 S	2/2001	Hollington et al. ....	D19/51
D438,248 S	2/2001	Hollington et al. ....	D19/56
D438,249 S	2/2001	Hollington et al. ....	D19/56
D443,896 S	6/2001	Briggl et al. ....	D19/49
D446,814 S	8/2001	Lau .....	D19/45
D450,347 S	11/2001	Keda .....	D19/51
D451,141 S	11/2001	Subilia .....	D19/51
D452,274 S	12/2001	Keda .....	D19/51
D453,187 S	1/2002	Keda .....	D19/48
6,379,068 B1	4/2002	Yu .....	401/116
D456,845 S	5/2002	Rommel .....	D19/49
D472,922 S *	4/2003	Stropkay et al. ....	D19/51 X
D475,087 S *	5/2003	Stropkay et al. ....	D19/56
D477,026 S *	7/2003	Stropkay et al. ....	D19/51
D478,626 S *	8/2003	Stropkay et al. ....	D19/51

\* cited by examiner

*Primary Examiner*—Martie K. Holtje  
(74) *Attorney, Agent, or Firm*—Marshall, Gerstein & Borun LLP

(56) **References Cited**

**U.S. PATENT DOCUMENTS**

D88,821 S	12/1932	Platt et al.	
D95,681 S	5/1935	Hanle	
D146,181 S	1/1947	Lippincott	
D209,550 S	12/1967	Arnone	
D212,788 S	11/1968	Perwas	
D223,130 S *	3/1972	Green .....	D19/43
D238,358 S	1/1976	Hatanoshi .....	D19/41
D285,936 S	9/1986	Booker et al. ....	D19/51
D330,911 S	11/1992	Tu .....	D19/51
D357,277 S	4/1995	Cappe de Baillon .....	D19/51
D372,048 S	7/1996	Hollington .....	D19/43
D378,763 S	4/1997	Hollington .....	D19/51
D395,449 S	6/1998	Bussiere et al. ....	D19/57
D396,729 S	8/1998	Ham .....	D19/48
D416,579 S	11/1999	Andrews et al. ....	D19/56
D416,580 S	11/1999	Andrews et al. ....	D19/56
D423,579 S	4/2000	Andrews et al. ....	D19/51
D430,212 S	8/2000	Keda .....	D19/57
D431,598 S	10/2000	Kim et al. ....	D19/36
D433,704 S	11/2000	Kouda .....	D19/49

(57) **CLAIM**

The ornamental design for a writing instrument, as shown and described.

**DESCRIPTION**

FIG. 1 is a left side elevational view showing our new design, the right side elevational view being a mirror image thereof;

FIG. 2 is a rear view thereof;

FIG. 3 is a front view thereof;

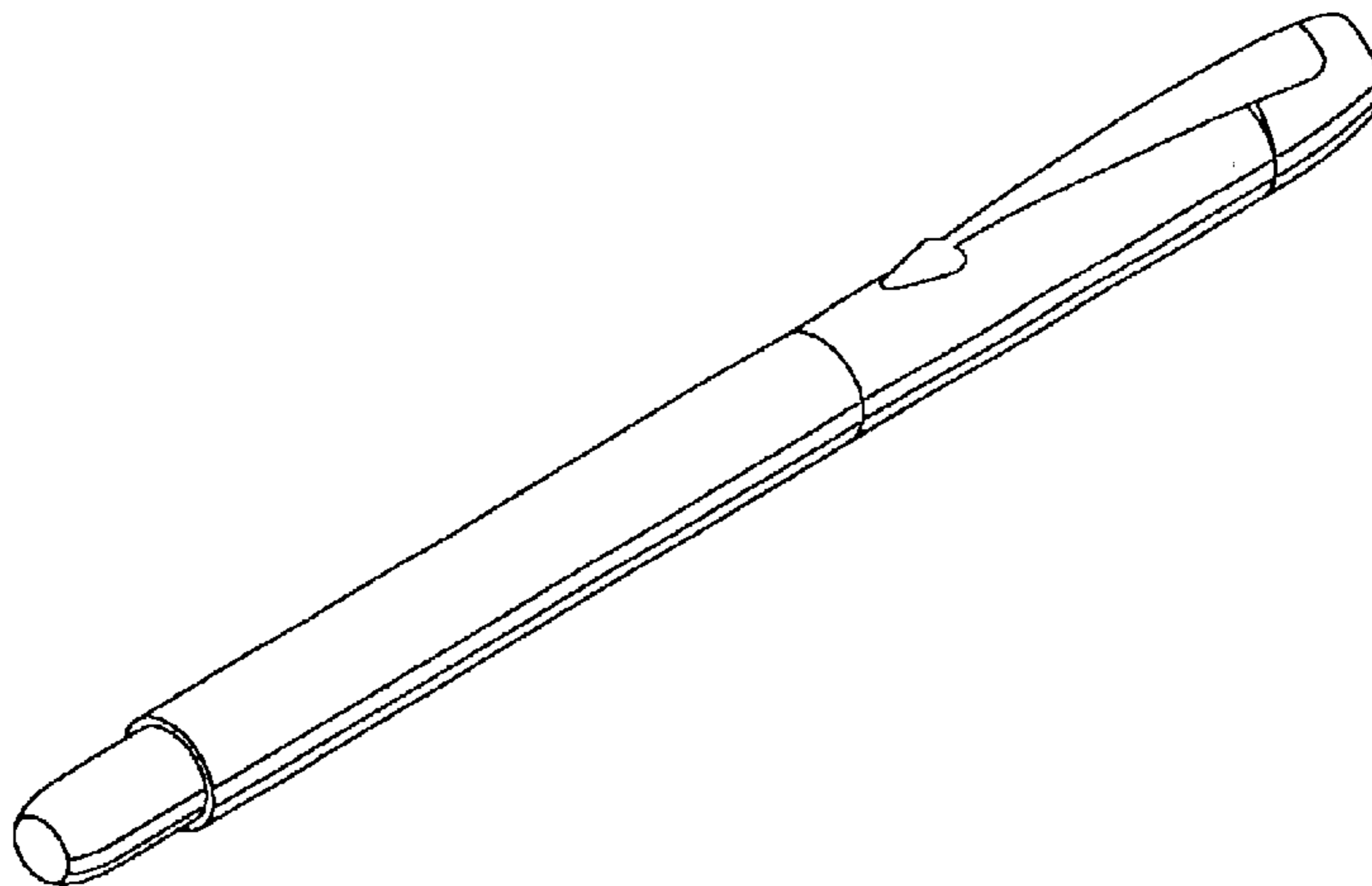
FIG. 4 is a perspective view taken from the front, side and above thereof;

FIG. 5 is a perspective view taken from the front, side and below thereof;

FIG. 6 is a plan view; and,

FIG. 7 is a bottom view.

**1 Claim, 2 Drawing Sheets**



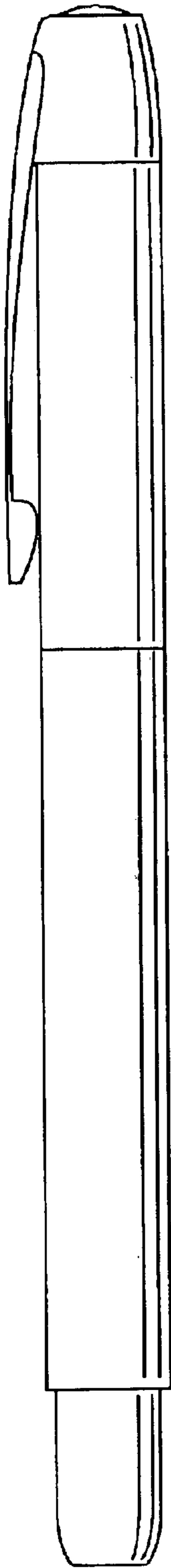


FIG. 1

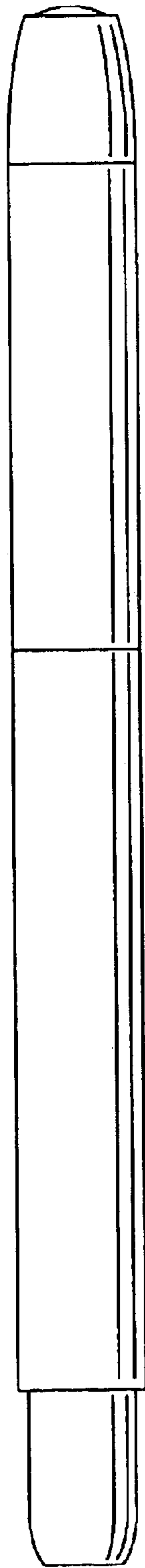


FIG. 2

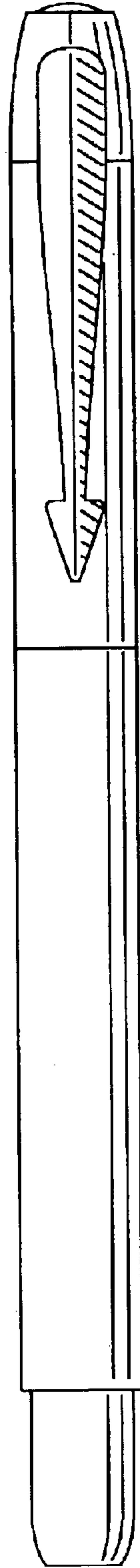


FIG. 3

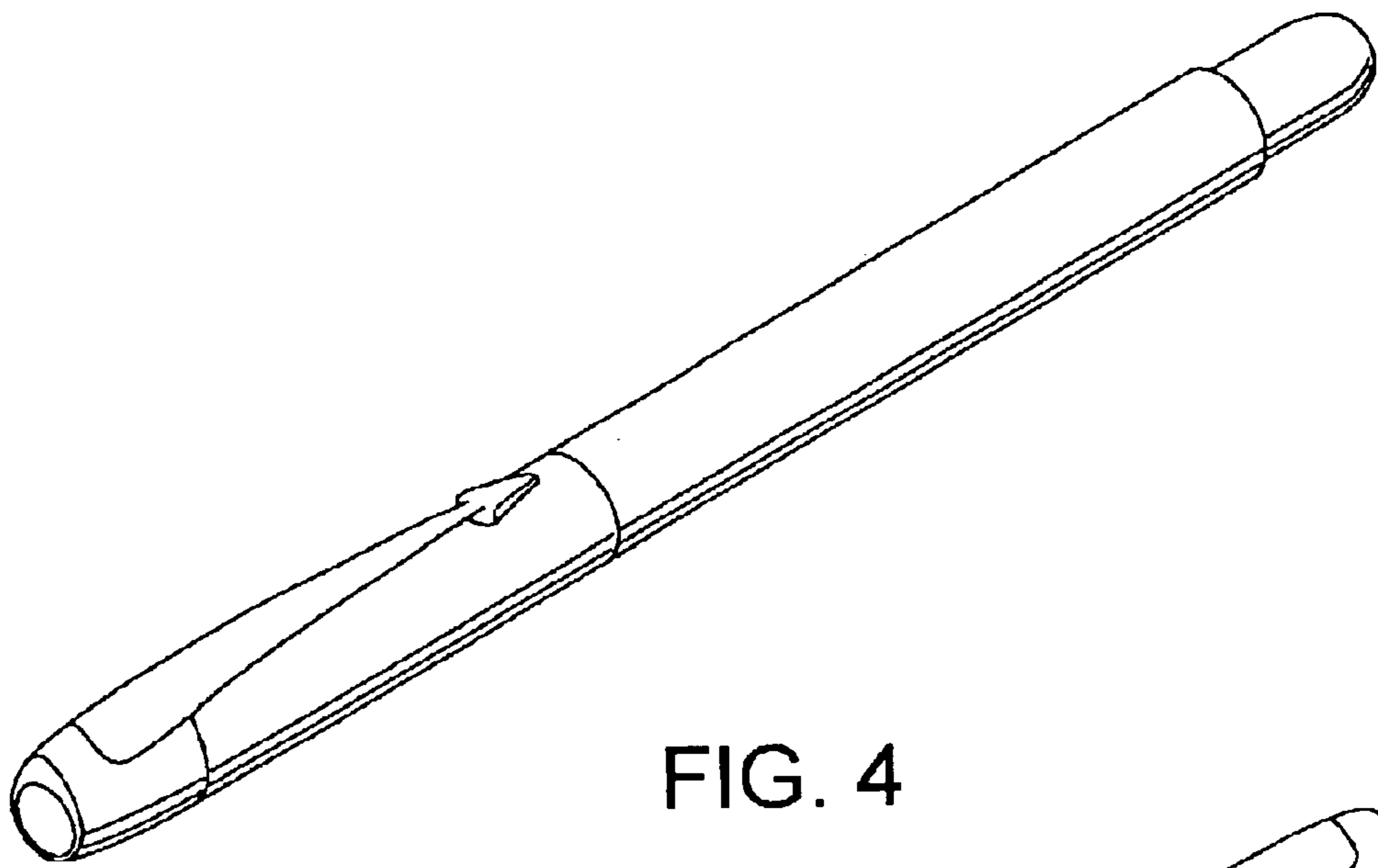


FIG. 4

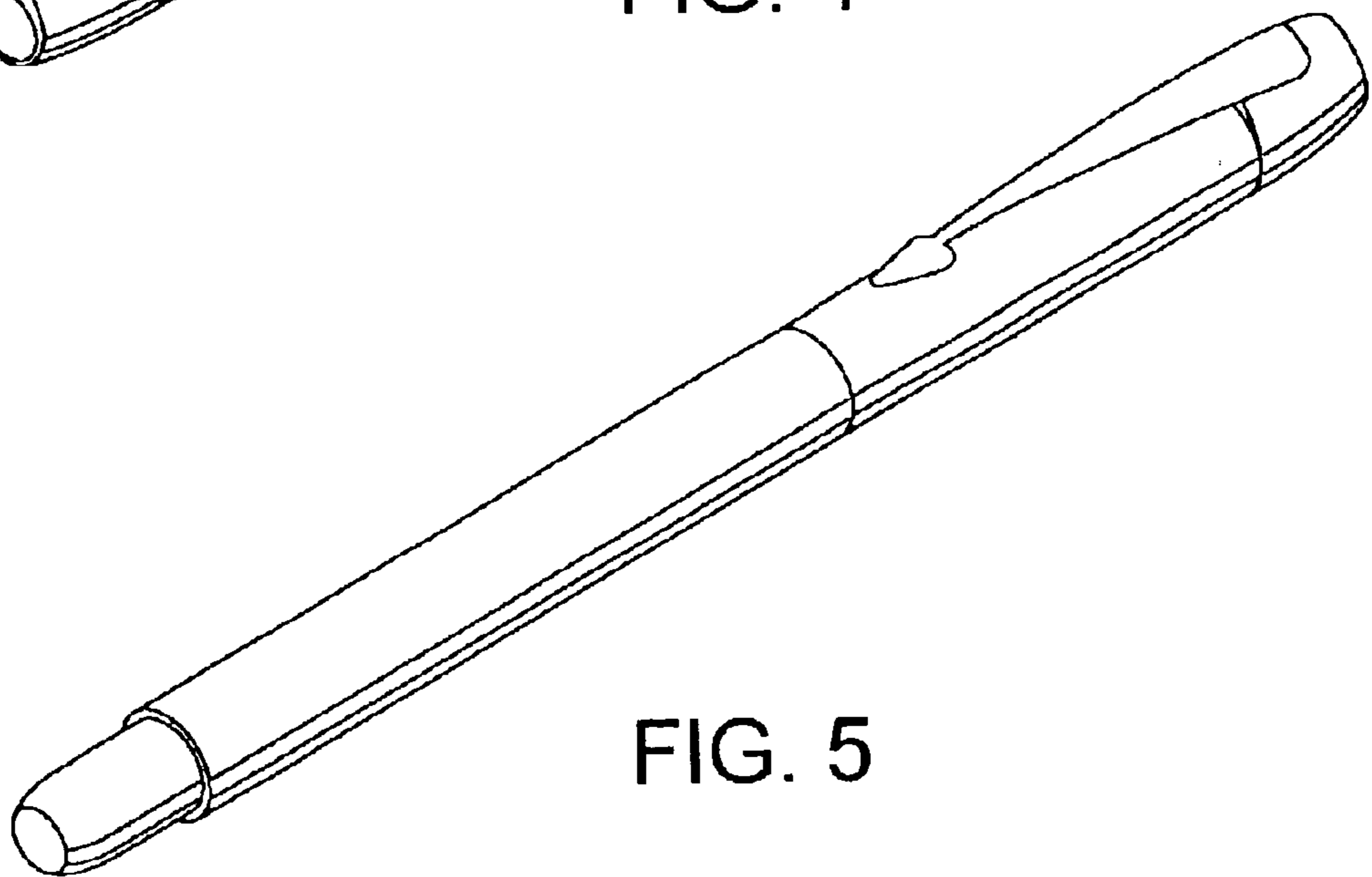


FIG. 5

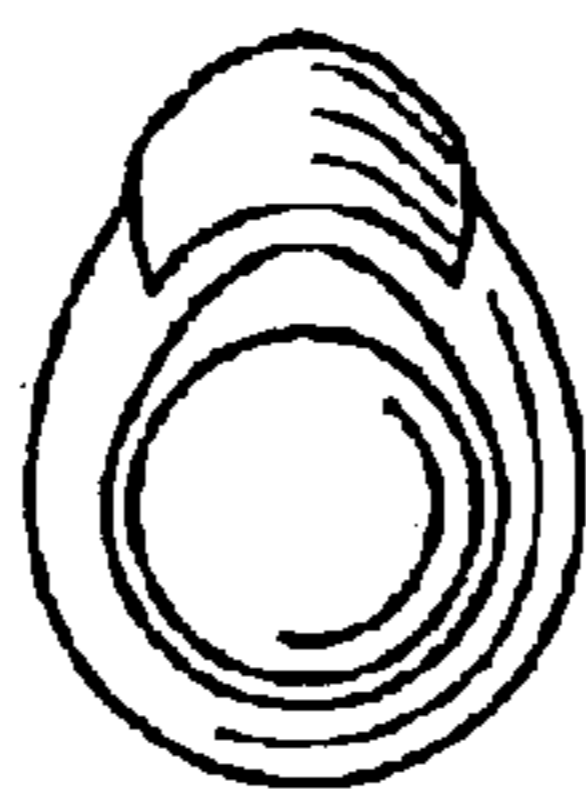


FIG. 6

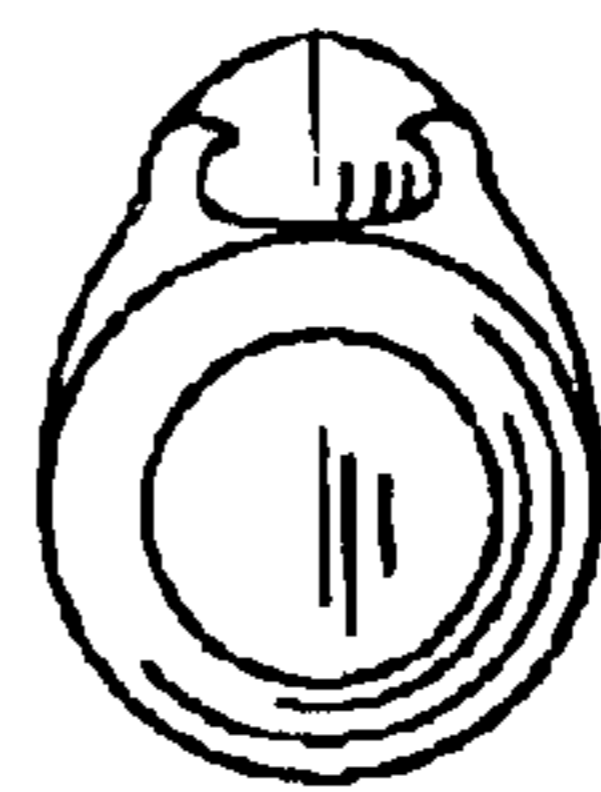


FIG. 7